



US00D336125S

United States Patent [19]
Sadler

[11] **Patent Number: Des. 336,125**
[45] **Date of Patent: ** Jun. 1, 1993**

[54] **MOVABLE SWING SET STABILIZER ANCHOR**

4,863,137 9/1989 Cockman et al. 52/157 X

[76] **Inventor: Joseph W. Sadler, Rte. 1 Box 473, Telford, Tenn. 37690**

FOREIGN PATENT DOCUMENTS

505138 2/1955 Italy .
522410 9/1955 Italy .

[**] **Term: 14 Years**

OTHER PUBLICATIONS

[21] **Appl. No.: 726,508**

American Playground Device Co., Dec. 1948 Anchor for Life Lines.

[22] **Filed: Jul. 8, 1991**

Primary Examiner—Bernard Ansher

[52] **U.S. Cl. D21/246**

Assistant Examiner—Prabhakar Deshmukh

[58] **Field of Search D21/246, 240; 472/118-125; 52/157, 154, 165, 298; 248/530, 533, 156, 545**

Attorney, Agent, or Firm—Terry M. Gernstein

[57] **CLAIM**

[56] **References Cited**

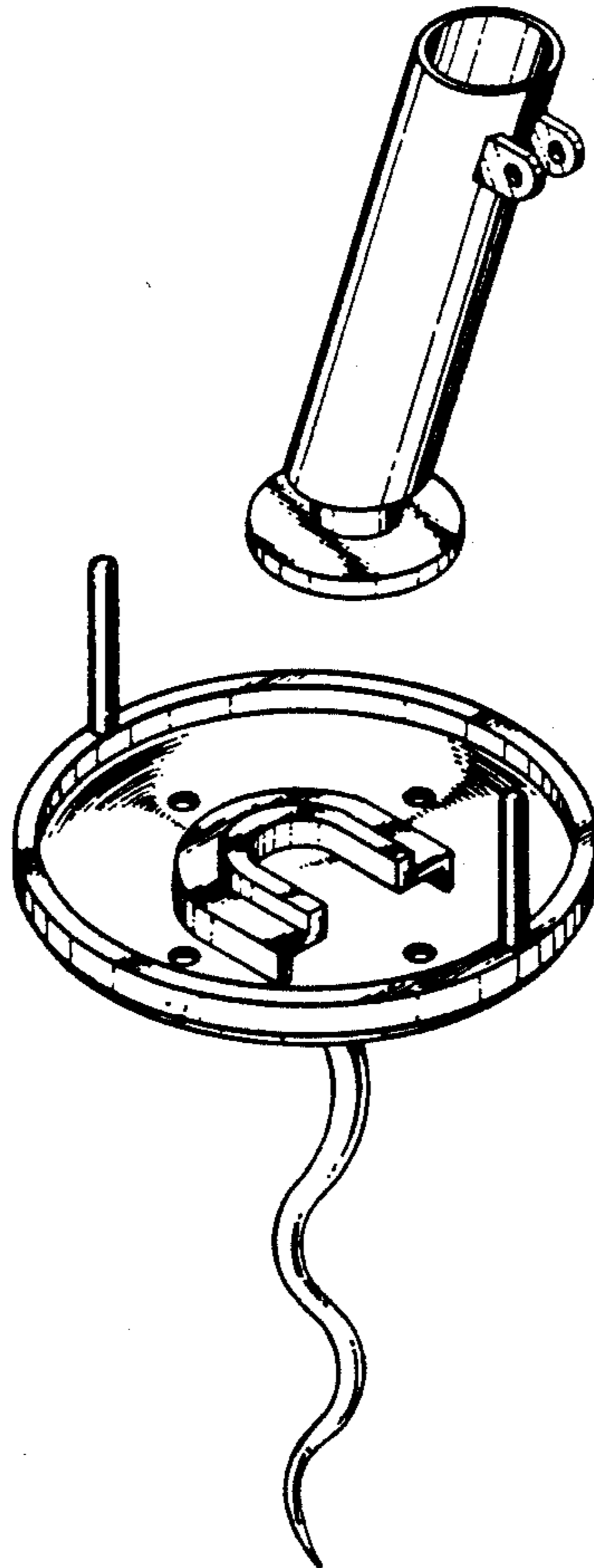
The ornamental design for a movable swing set stabilizer anchor, as shown and described.

U.S. PATENT DOCUMENTS

DESCRIPTION

D. 27,517	8/1897	Swenson	D21/246
1,562,343	11/1925	La Bore	52/157
2,799,369	7/1957	Walton	52/157
3,076,532	2/1963	Frye	52/157
3,235,256	2/1966	Grudoski	.	
3,427,024	2/1969	Cross	.	
3,503,582	3/1970	Boucher	.	
4,431,183	2/1984	Reimann	472/118 X
4,753,411	6/1988	Lechner et al.	52/165 X

FIG. 1 is an exploded perspective view of a movable swing set stabilizer anchor showing my new design; FIG. 2 is a front perspective view thereof; the rear elevational view being a mirror image thereof; FIG. 3 is a left side elevational view thereof; FIG. 4 is a right side elevational view thereof; FIG. 5 is a top plan view thereof; and, FIG. 6 is a bottom plan view thereof.



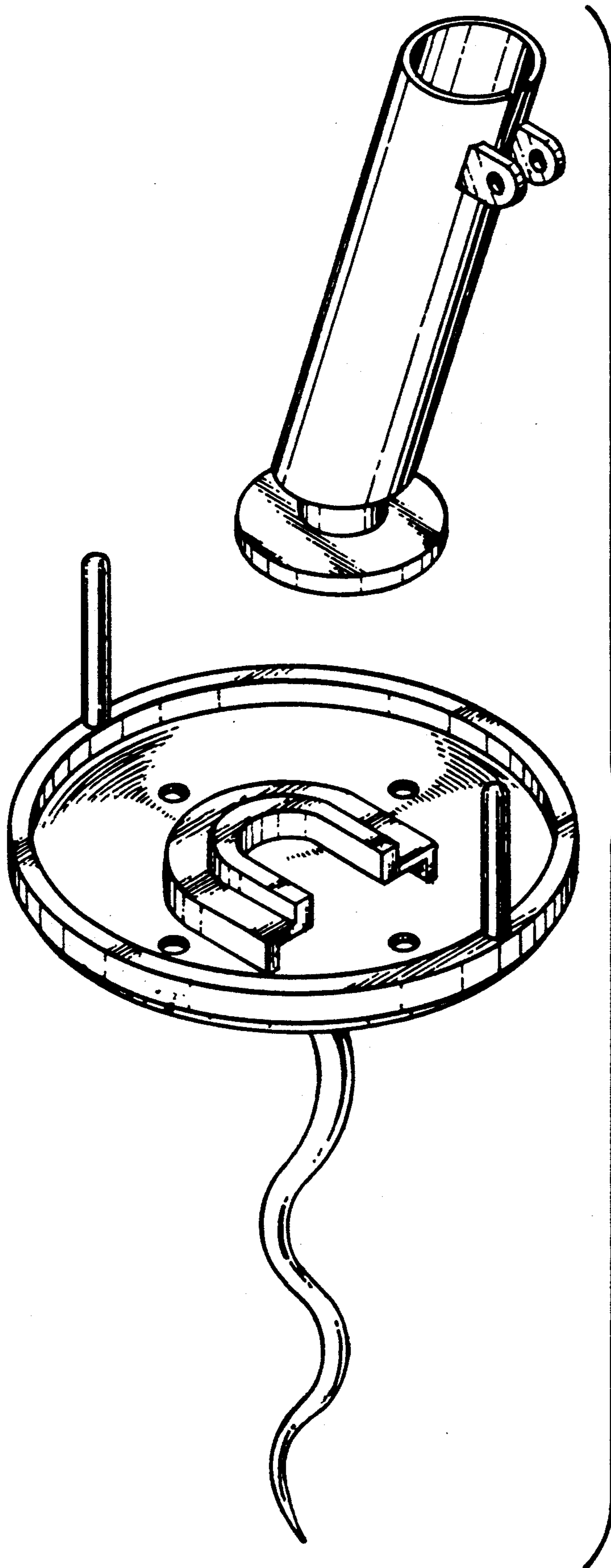


FIG. 1

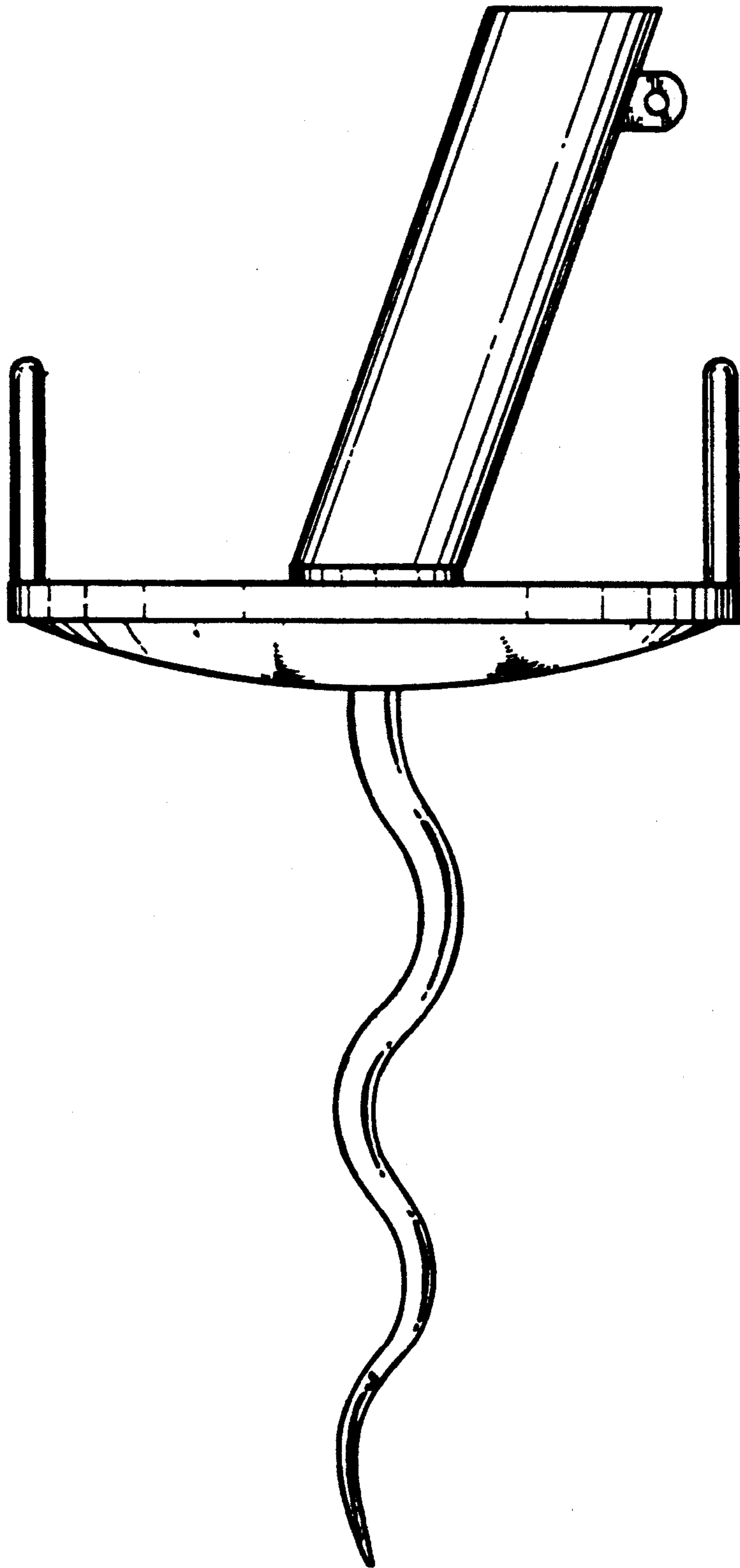


FIG. 2

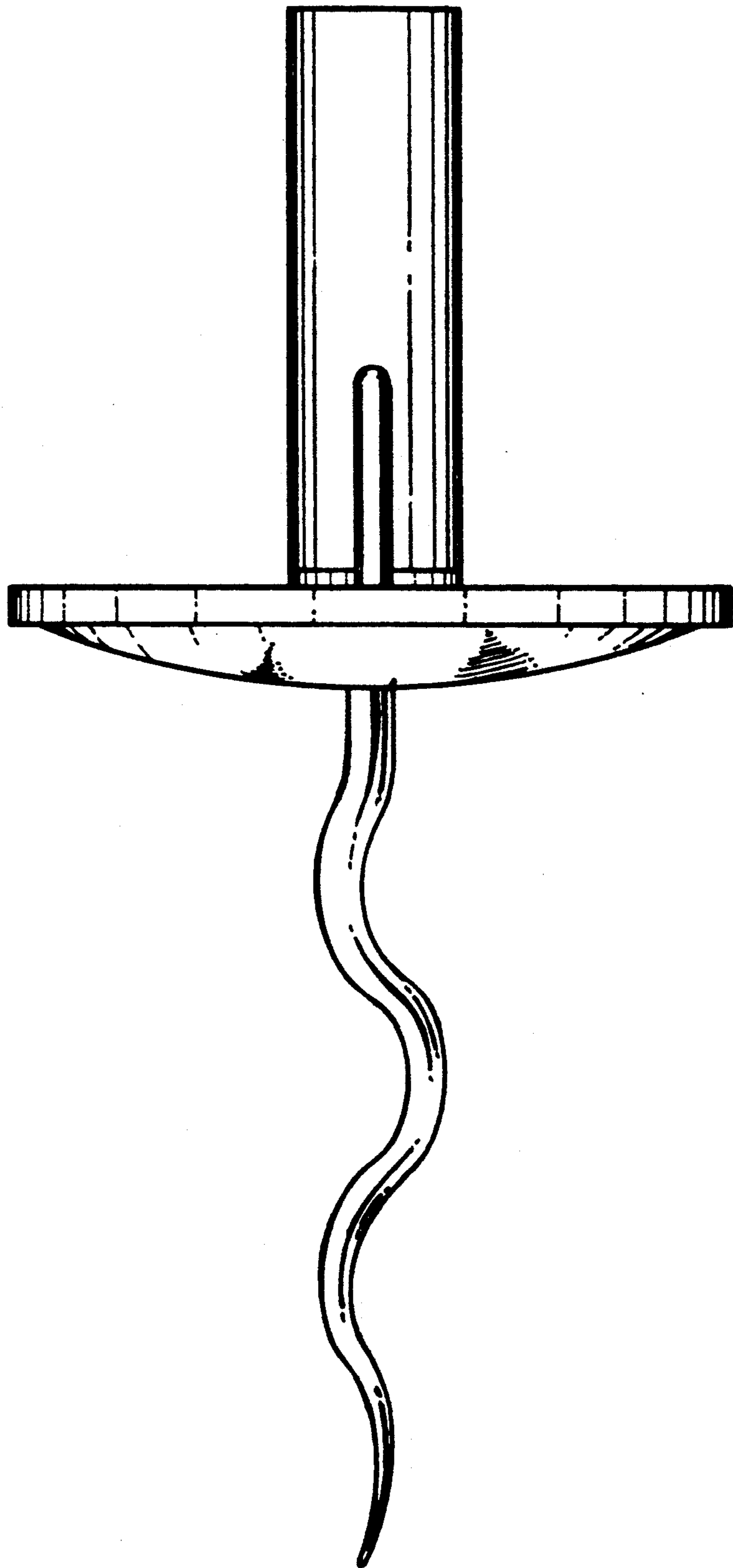


FIG. 3

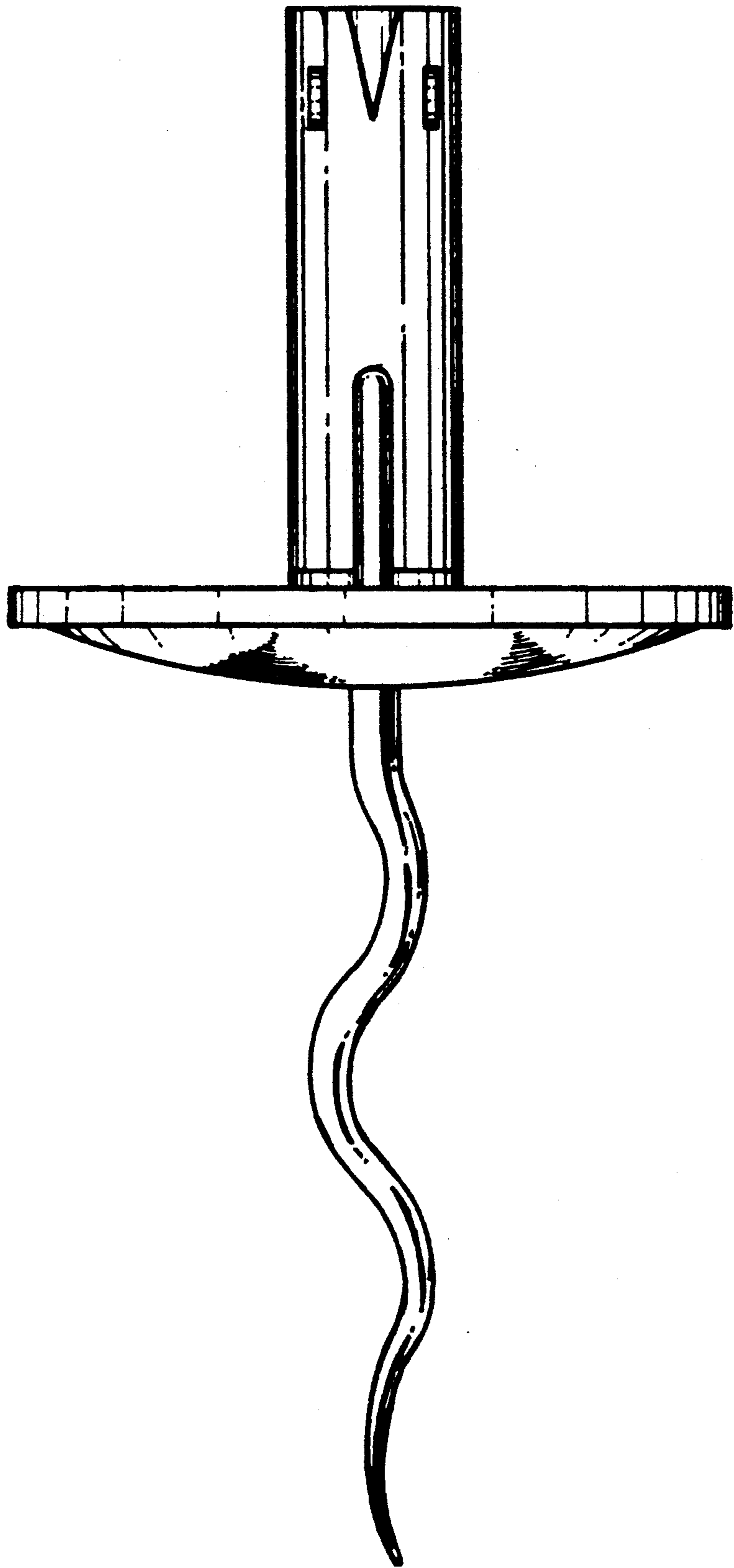


FIG. 4

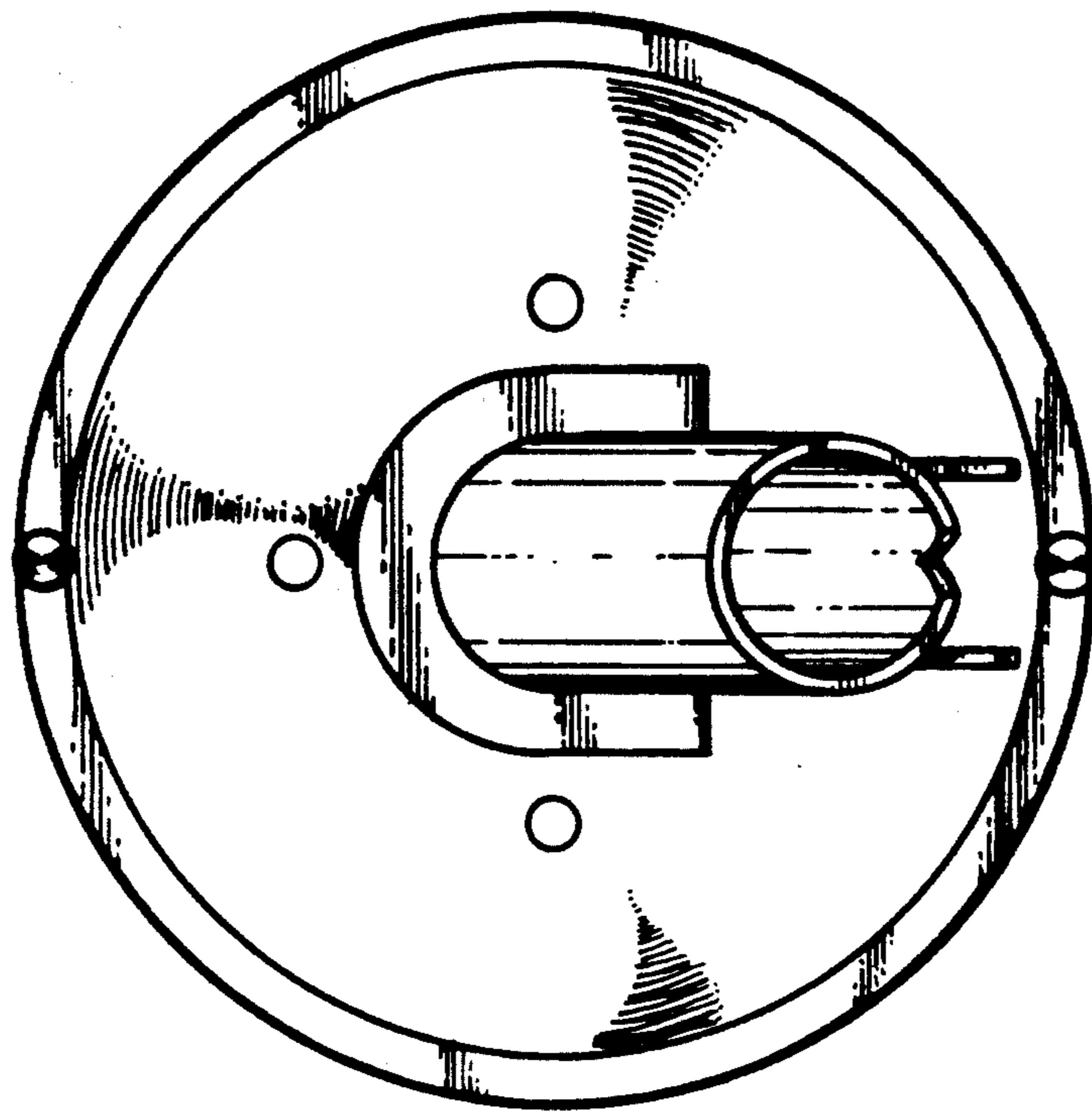


FIG. 5

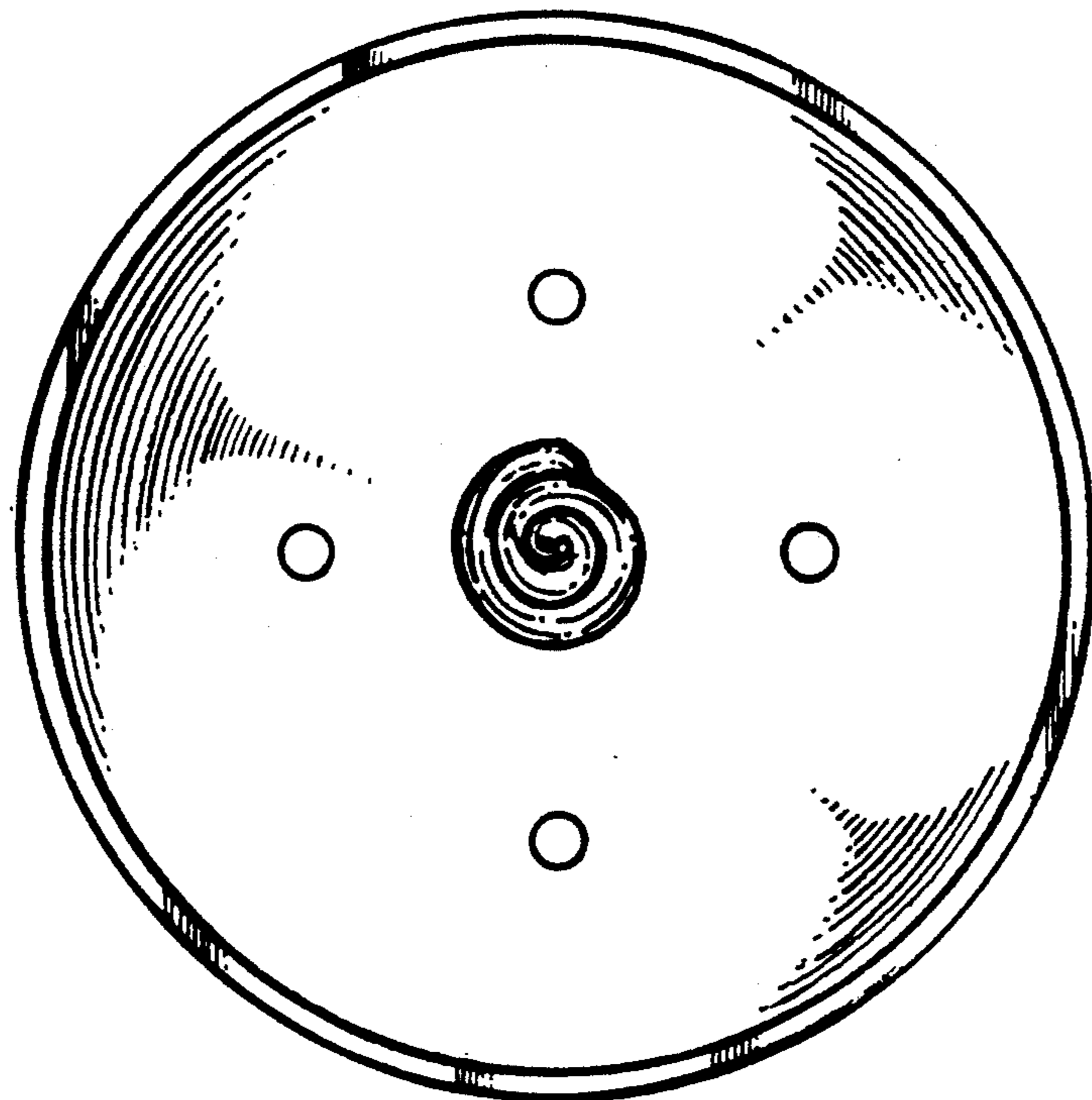


FIG. 6