



US00D336121S

United States Patent [19]

[11] Patent Number: **Des. 336,121**

Bellagamba

[45] Date of Patent: **** Jun. 1, 1993**

[54] **GOLF CLUB SWING GUIDE**

[75] Inventor: **Miro D. Bellagamba, Orlando, Fla.**

[73] Assignee: **International Sports Technology, Inc., Orlando, Fla.**

[**] Term: **14 Years**

[21] Appl. No.: **661,630**

[22] Filed: **Feb. 28, 1991**

[52] U.S. Cl. **D21/234**

[58] Field of Search **D21/234; 273/191 A**

[56] **References Cited**

U.S. PATENT DOCUMENTS

- 1,567,530 12/1925 MacNaughton et al. 273/191 A
- 3,341,208 9/1967 Marcella 273/191 A
- 4,852,881 8/1989 Bellagamba et al. 273/191 A

FOREIGN PATENT DOCUMENTS

1439369 6/1976 United Kingdom 273/191 A

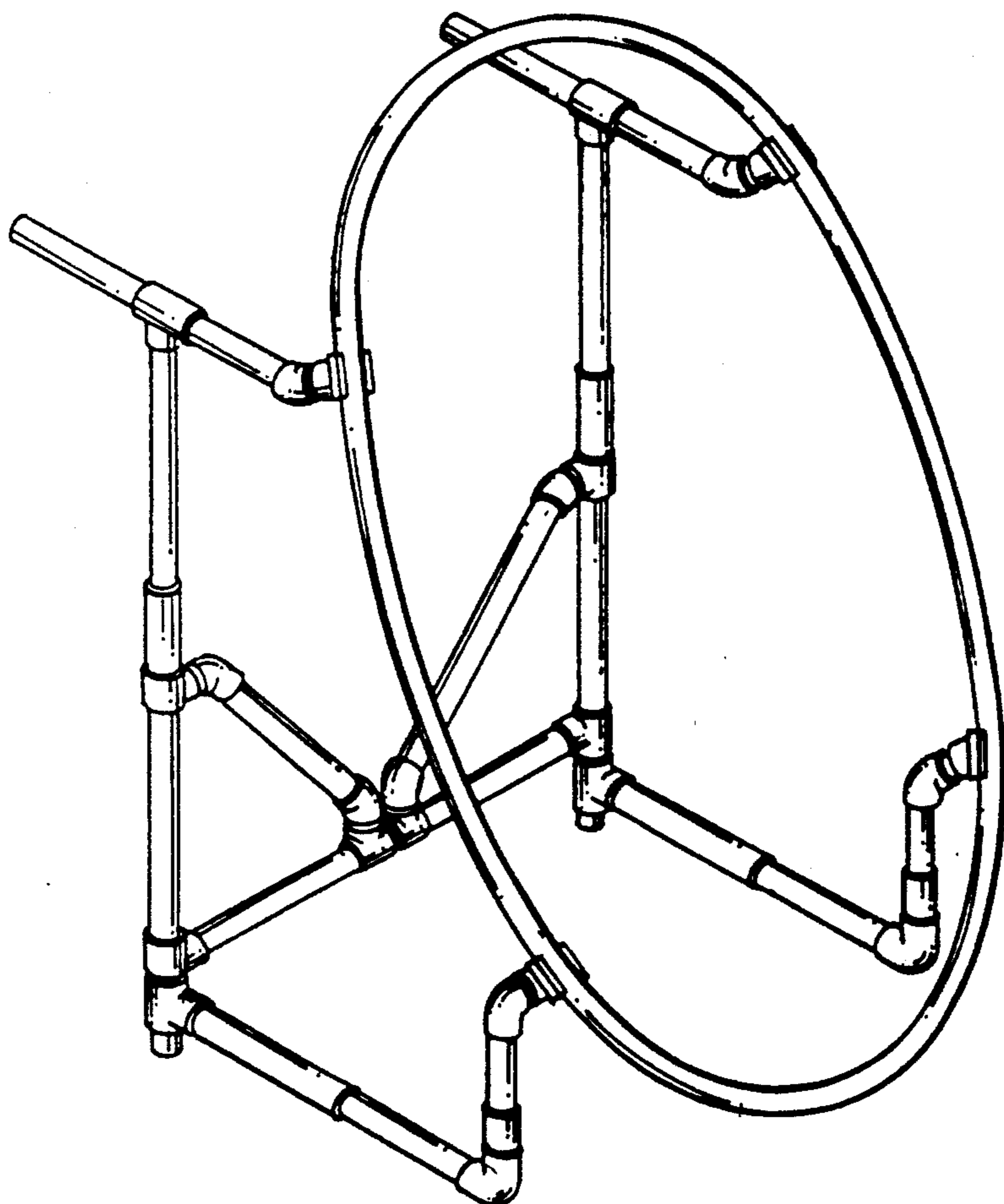
Primary Examiner—Melvin B. Feifer
Attorney, Agent, or Firm—William M. Hobby, III

[57] **CLAIM**

The ornamental design for a golf club swing guide, as shown.

DESCRIPTION

FIG. 1 is a front perspective view of my new golf club swing guide;
FIG. 2 is a side elevation;
FIG. 3 is a front elevation;
FIG. 4 is a rear elevation;
FIG. 5 is a bottom plan view; and,
FIG. 6 is a top plan view.



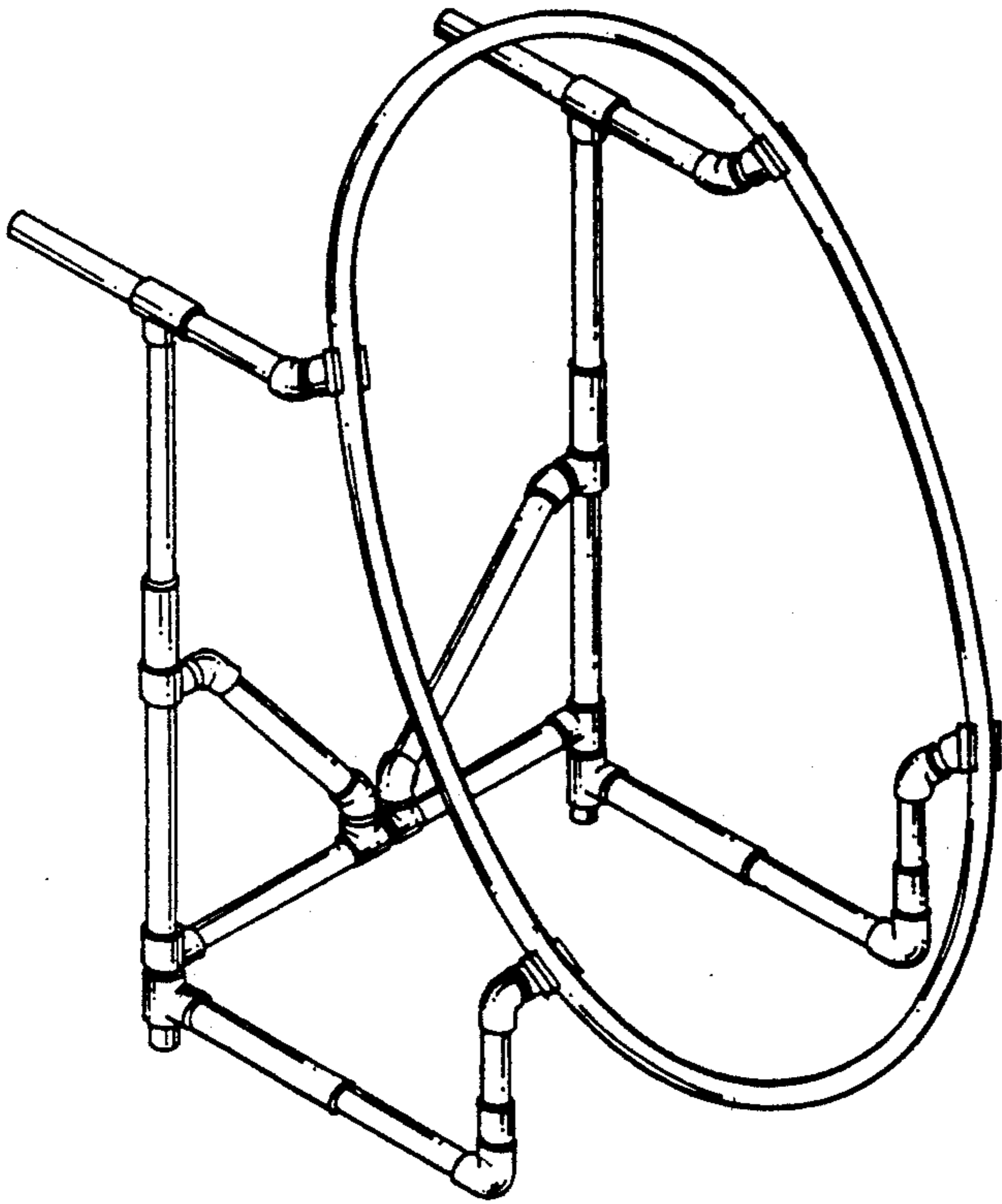


FIG. 1

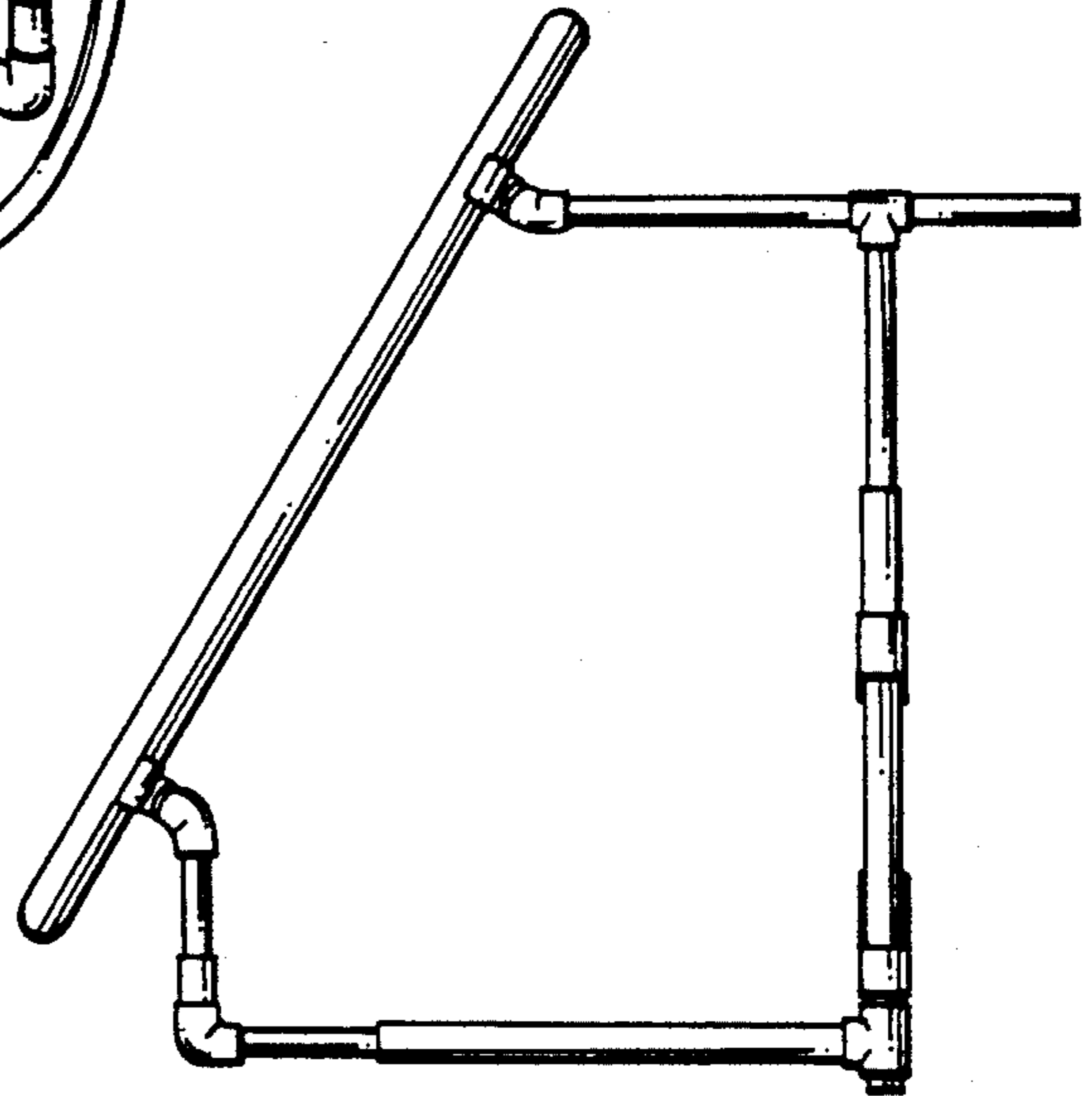


FIG. 2

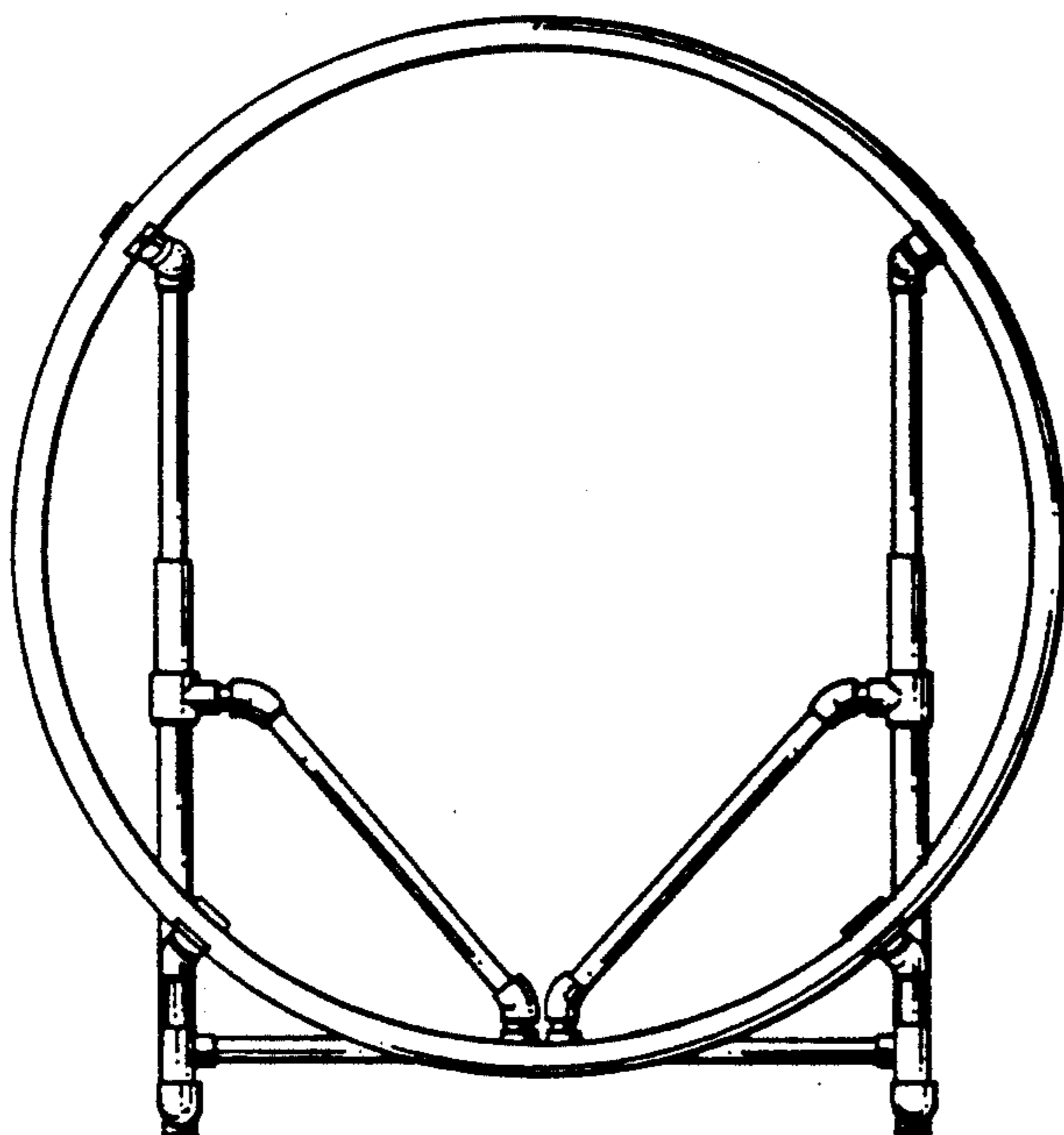


FIG. 3

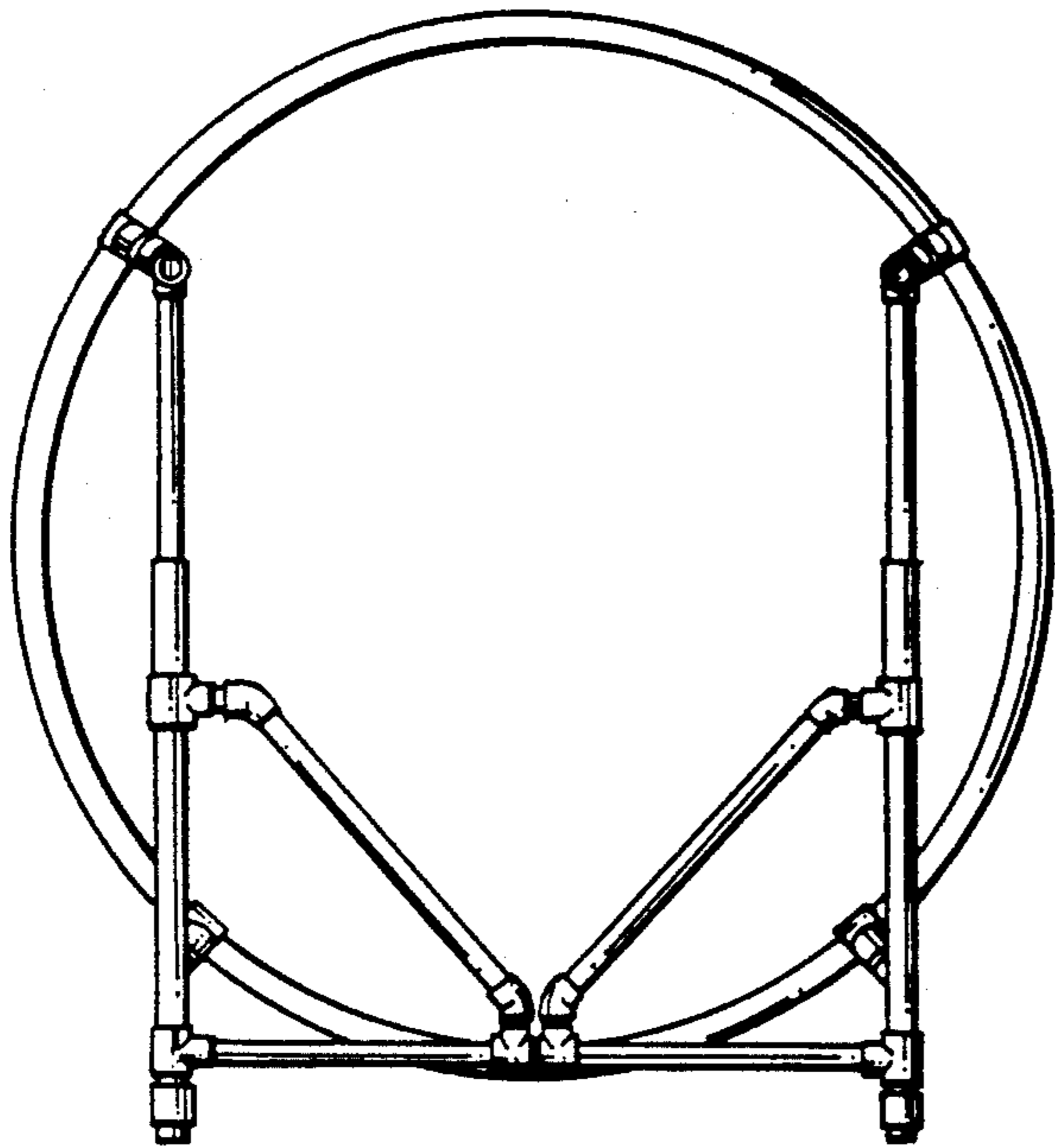


FIG. 4

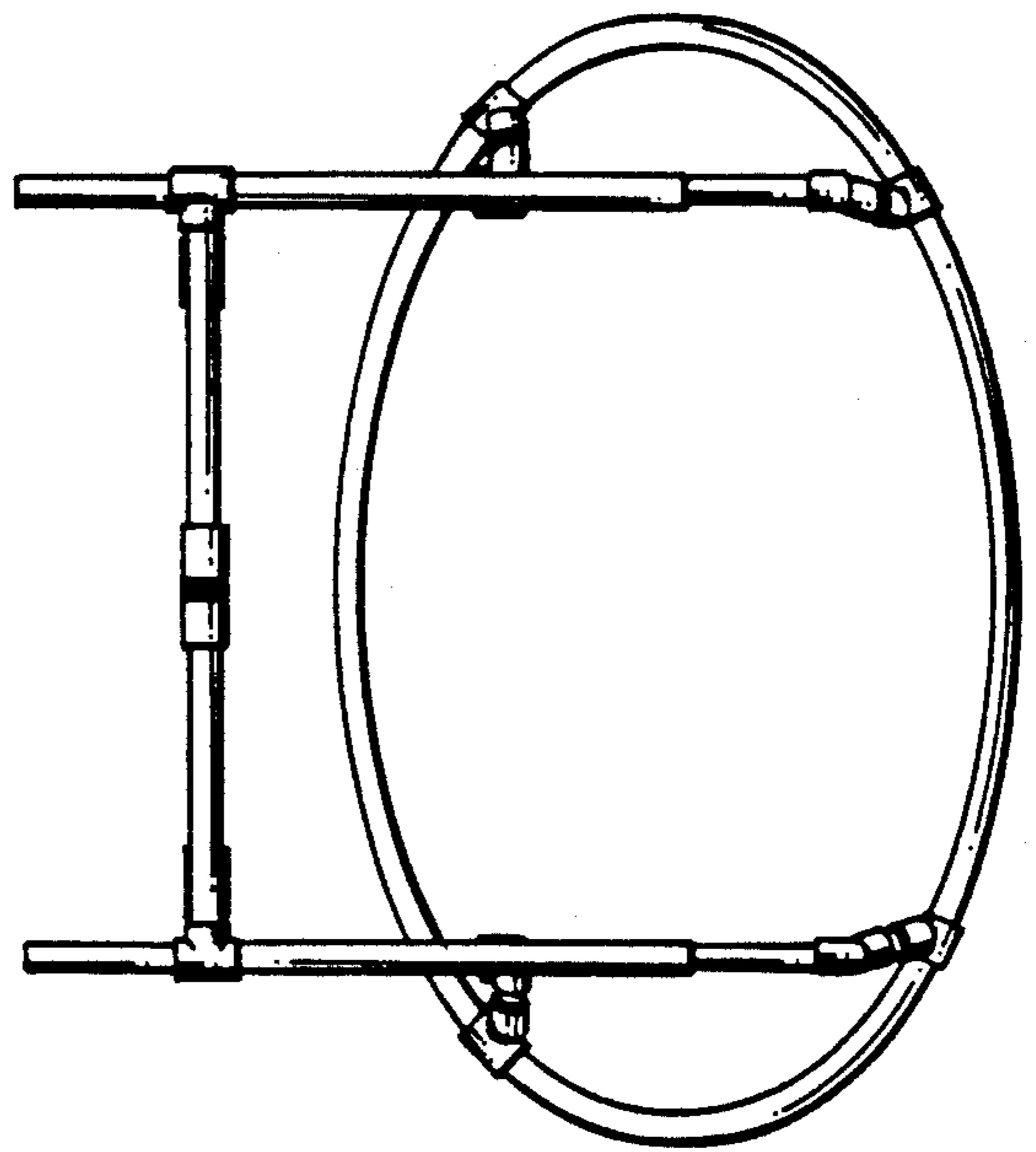


FIG. 5

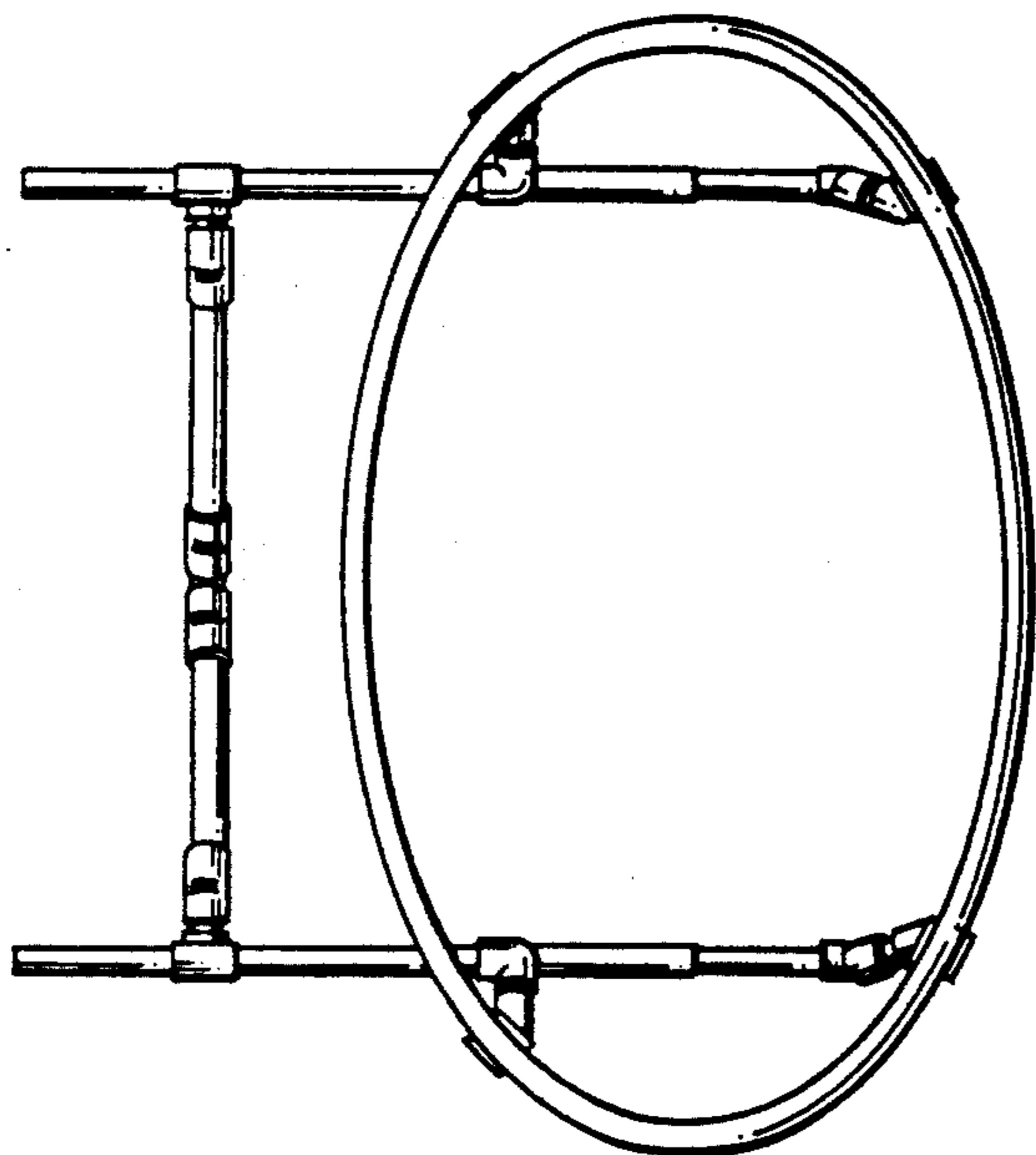


FIG. 6