



US00D336120S

United States Patent [19]

[11] Patent Number: **Des. 336,120**

Knudsen

[45] Date of Patent: **** Jun. 1, 1993**

[54] **ELEMENT FOR A TOY BUILDING SET**

3,552,055 1/1971 Matsubayashi 446/128
4,182,072 1/1980 Much 446/124

[75] Inventor: **Jens N. Knudsen, Billund, Denmark**

Primary Examiner—Bernard Ansher

[73] Assignee: **Interlego A.G., Baar, Switzerland**

Assistant Examiner—R. Barkai

[**] Term: **14 Years**

Attorney, Agent, or Firm—Kane, Dalsimer, Sullivan,
Kurucz, Levy, Eisele and Richard

[21] Appl. No.: **789,128**

[57] **CLAIM**

[22] Filed: **Nov. 6, 1991**

The ornamental design for an element for a toy building set, as shown and described.

[52] U.S. Cl. **D4/108**

[58] Field of Search **D21/108, 124; 446/102, 446/103, 120, 124, 125, 128**

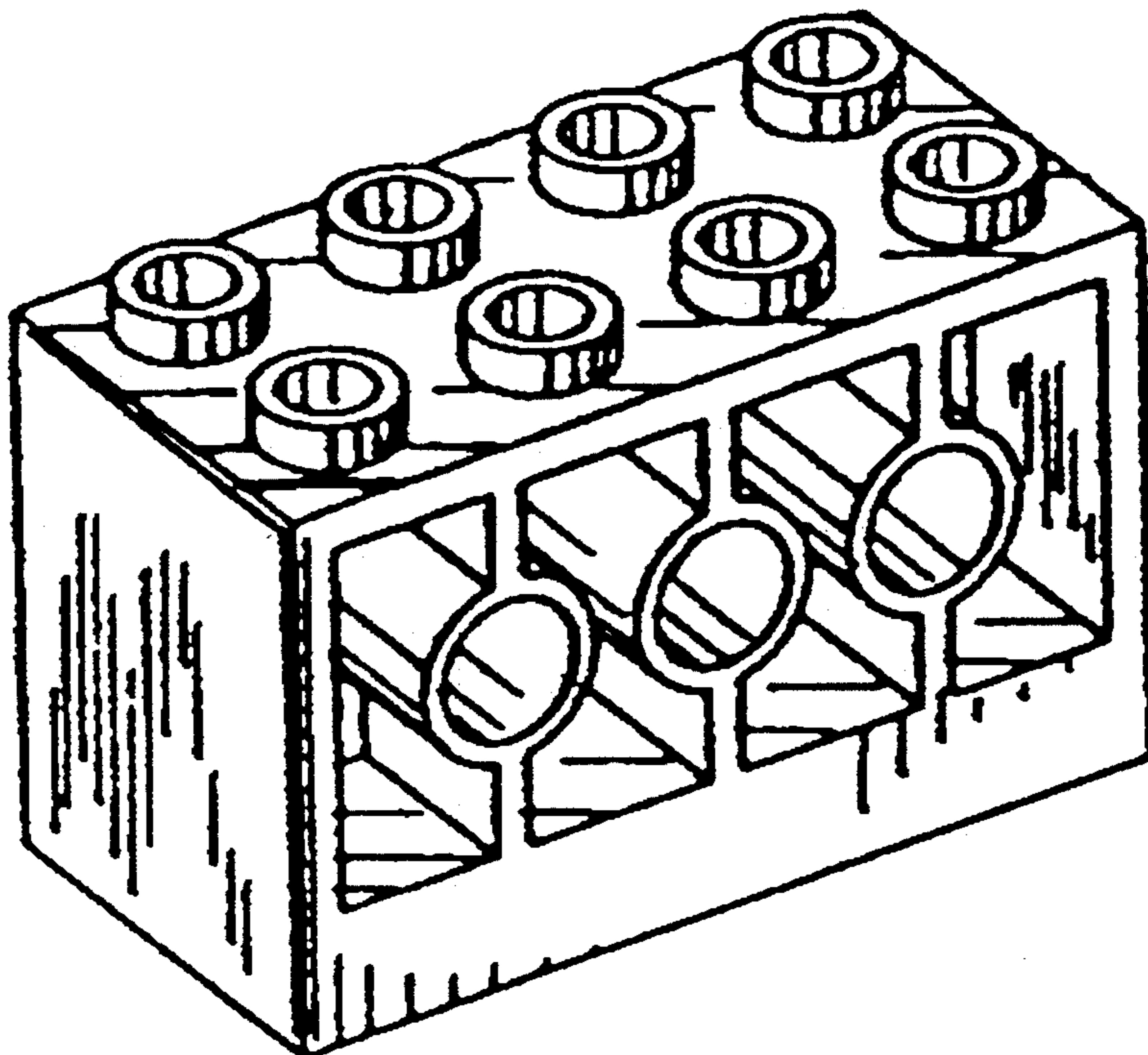
DESCRIPTION

[56] **References Cited**

U.S. PATENT DOCUMENTS

D. 252,908	9/1979	Bayly	D21/108
D. 285,813	9/1986	Takahashi	D21/108
D. 324,084	2/1992	Knudsen	D21/108
3,162,973	12/1964	Christiansen	D21/108
3,234,683	2/1966	Christiansen	446/103

FIG. 1 is a top perspective view of the element for a toy building set showing my new design;
FIG. 2 is a bottom perspective view thereof;
FIG. 3 is a front elevational view thereof;
FIG. 4 is a side elevational view thereof, the other side being identical;
FIG. 5 is a rear elevational view thereof;
FIG. 6 is a top plan view thereof; and,
FIG. 7 is a bottom plan view thereof.



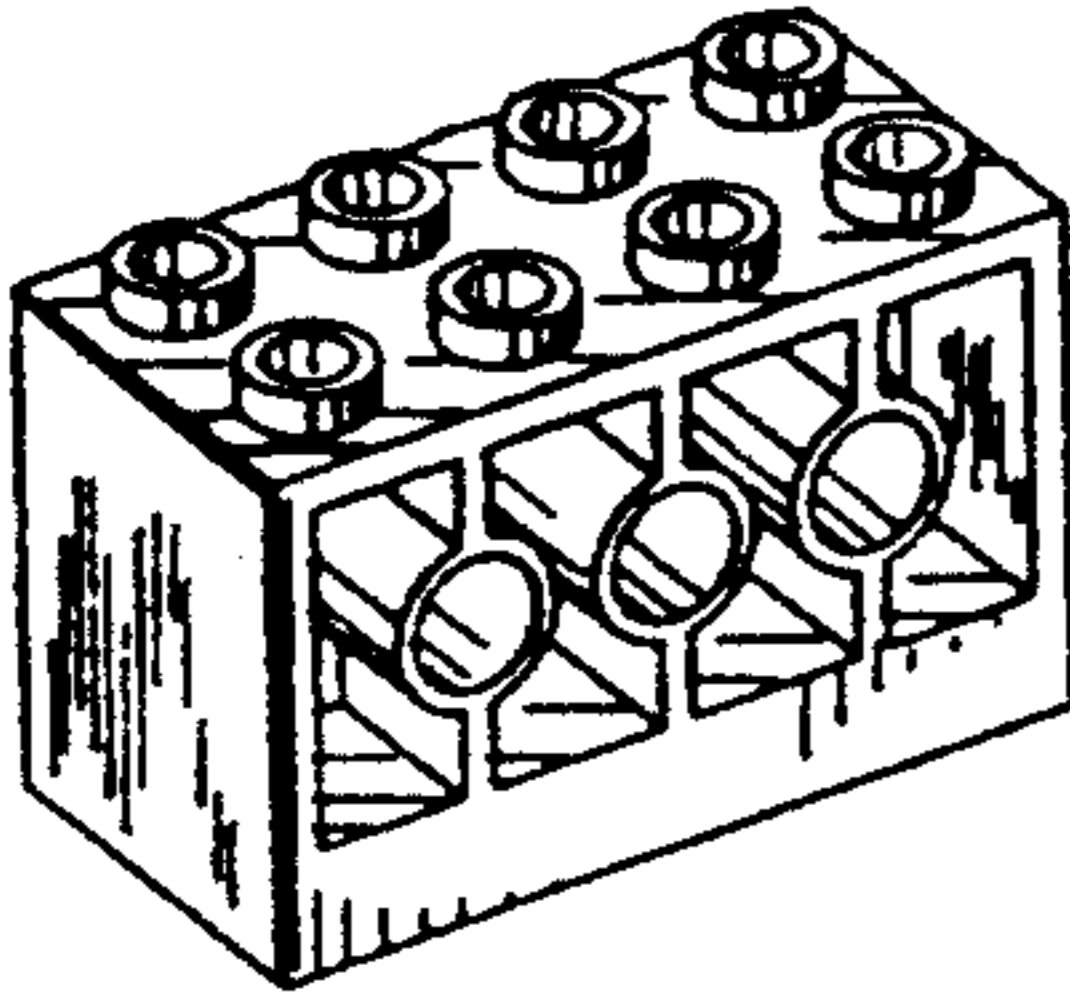


FIG. 1

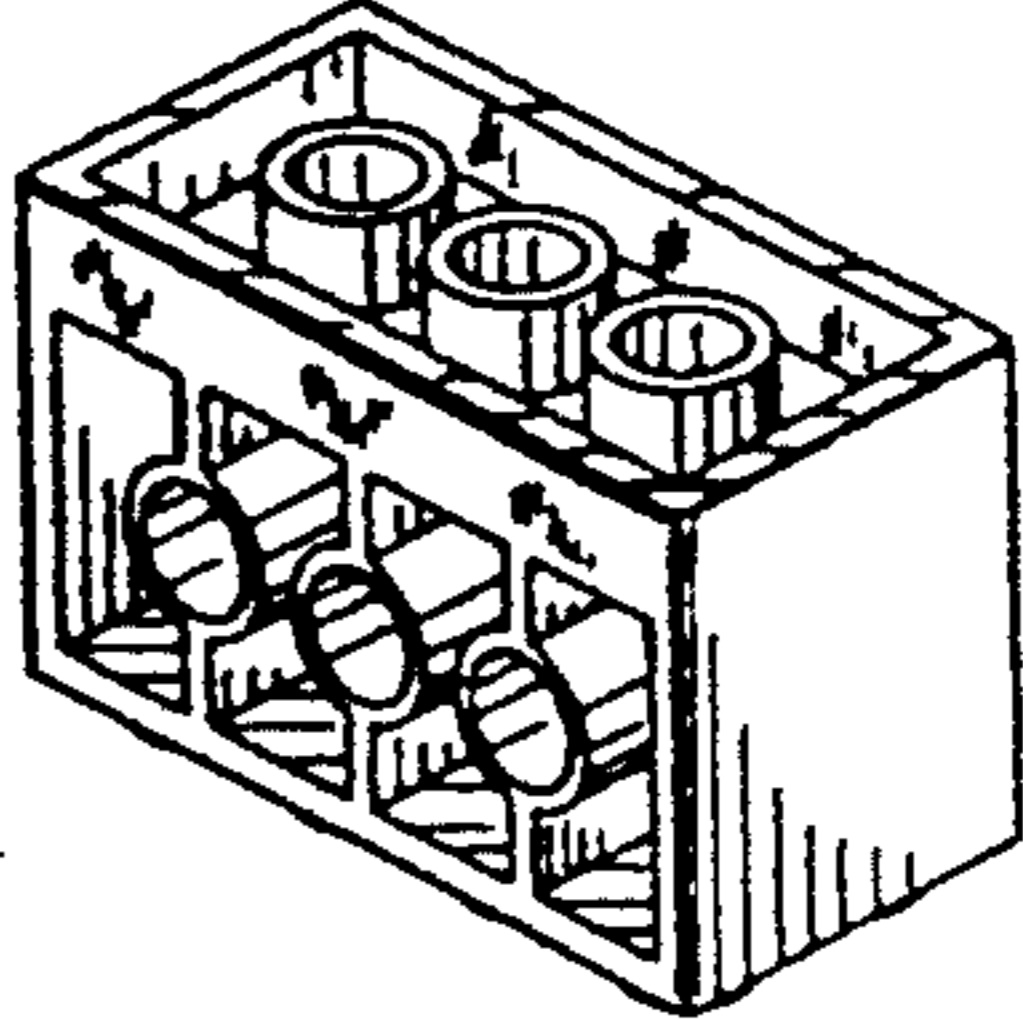


FIG. 2

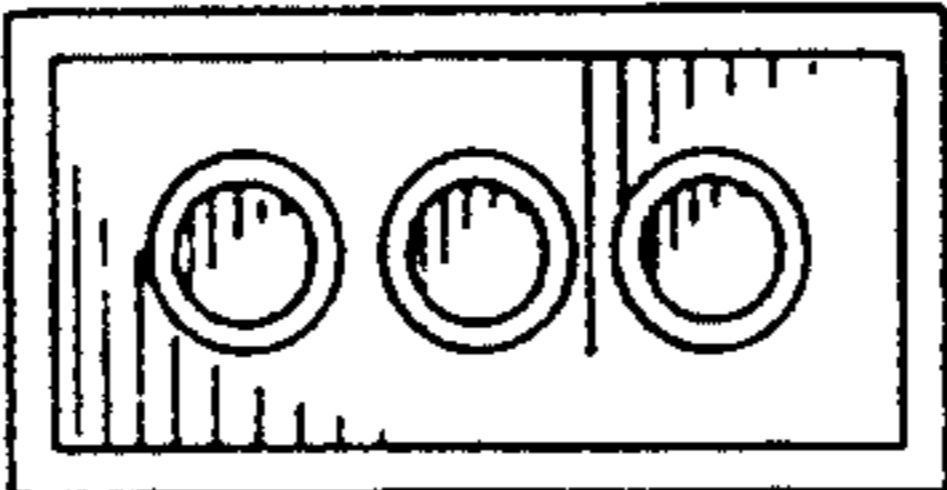


FIG. 7



FIG. 3

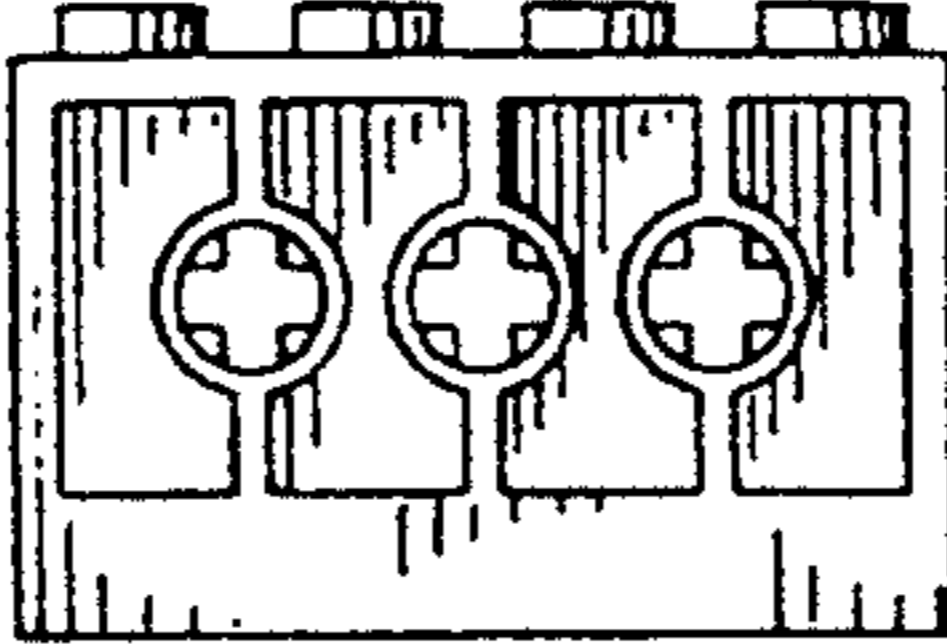


FIG. 4

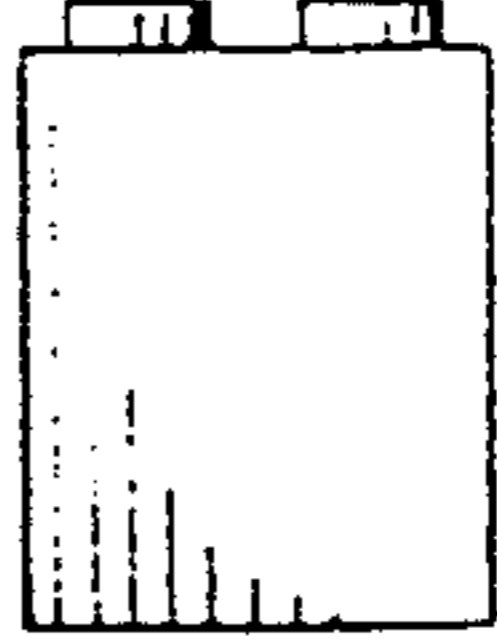


FIG. 5

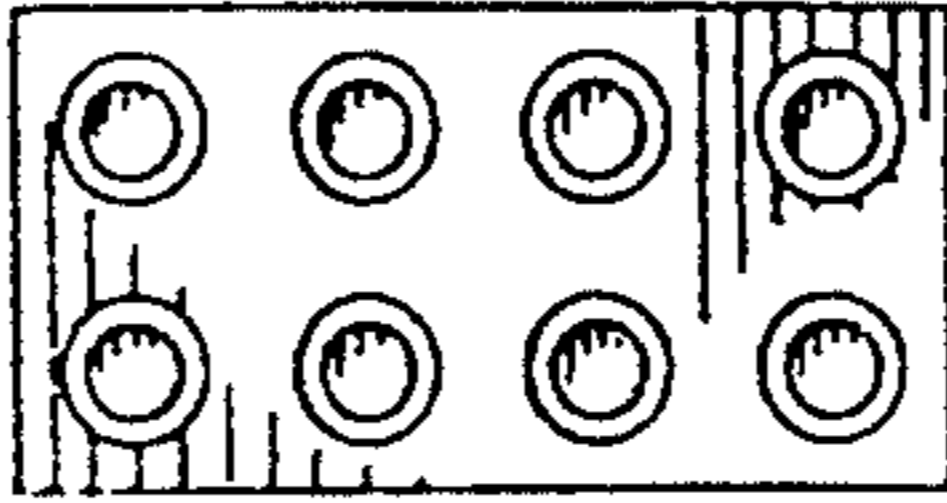


FIG. 6