



US00D336118S

United States Patent [19]

[11] Patent Number: **Des. 336,118**

Koike

[45] Date of Patent: **** Jun. 1, 1993**

[54] TOY VEHICLE

[75] Inventor: **Kazunobu Koike**, Tokyo, Japan

[73] Assignee: **Combi Corporation**, Tokyo, Japan

[**] Term: **14 Years**

[21] Appl. No.: **797,232**

[22] Filed: **Nov. 25, 1991**

[30] **Foreign Application Priority Data**

May 28, 1991 [JP] Japan 3-15343

[52] U.S. Cl. **D21/76**

[58] Field of Search **D21/73, 76-80, D21/124, 128, 134, 136, 139, 141, 141.1, 142, 161, 168, 177, 250; D12/85, 92, 128, 129; D19/63; 446/7, 279, 281, 451, 465; 280/47.36, 642-644, 658**

[56] **References Cited**

U.S. PATENT DOCUMENTS

D. 252,829 9/1979 Nakao D21/78

D. 264,106 4/1982 Orenstein D21/134

D. 271,314 11/1983 Tveras D21/76

D. 287,522 12/1986 Blumenthal D21/134

D. 303,273 9/1989 Takahashi D21/76

D. 317,334 6/1991 Takahashi D21/76

D. 325,753 4/1992 Takahashi D21/78

OTHER PUBLICATIONS

International Plaything 1984 p. 25 #FC 3028/1.

Sears Wishbook 1985 p. 571 #2.

Primary Examiner—Bernard Ansher

Assistant Examiner—R. Barkai

Attorney, Agent, or Firm—Sughrue, Mion, Zinn, Macpeak & Seas

[57] **CLAIM**

The ornamental design for a toy vehicle, as shown.

DESCRIPTION

FIG. 1 is a front, top and right side perspective view of a toy vehicle showing my new design;

FIG. 2 is a front elevational view thereof;

FIG. 3 is a rear elevational view thereof;

FIG. 4 is a left side elevational view thereof;

FIG. 5 is a right side elevational view thereof;

FIG. 6 is a top plan view thereof; and,

FIG. 7 is a bottom plan view thereof.

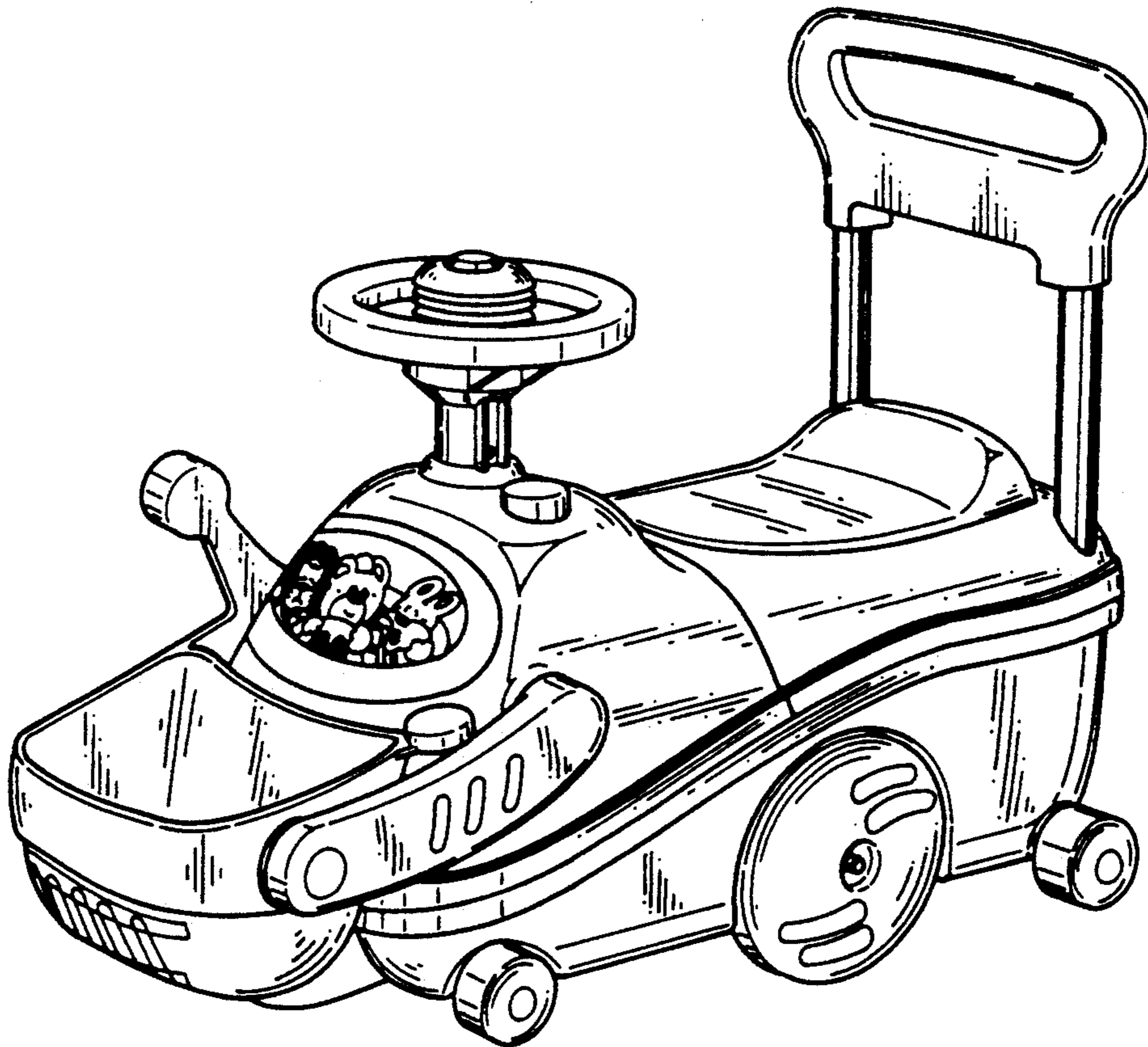


Fig. 1

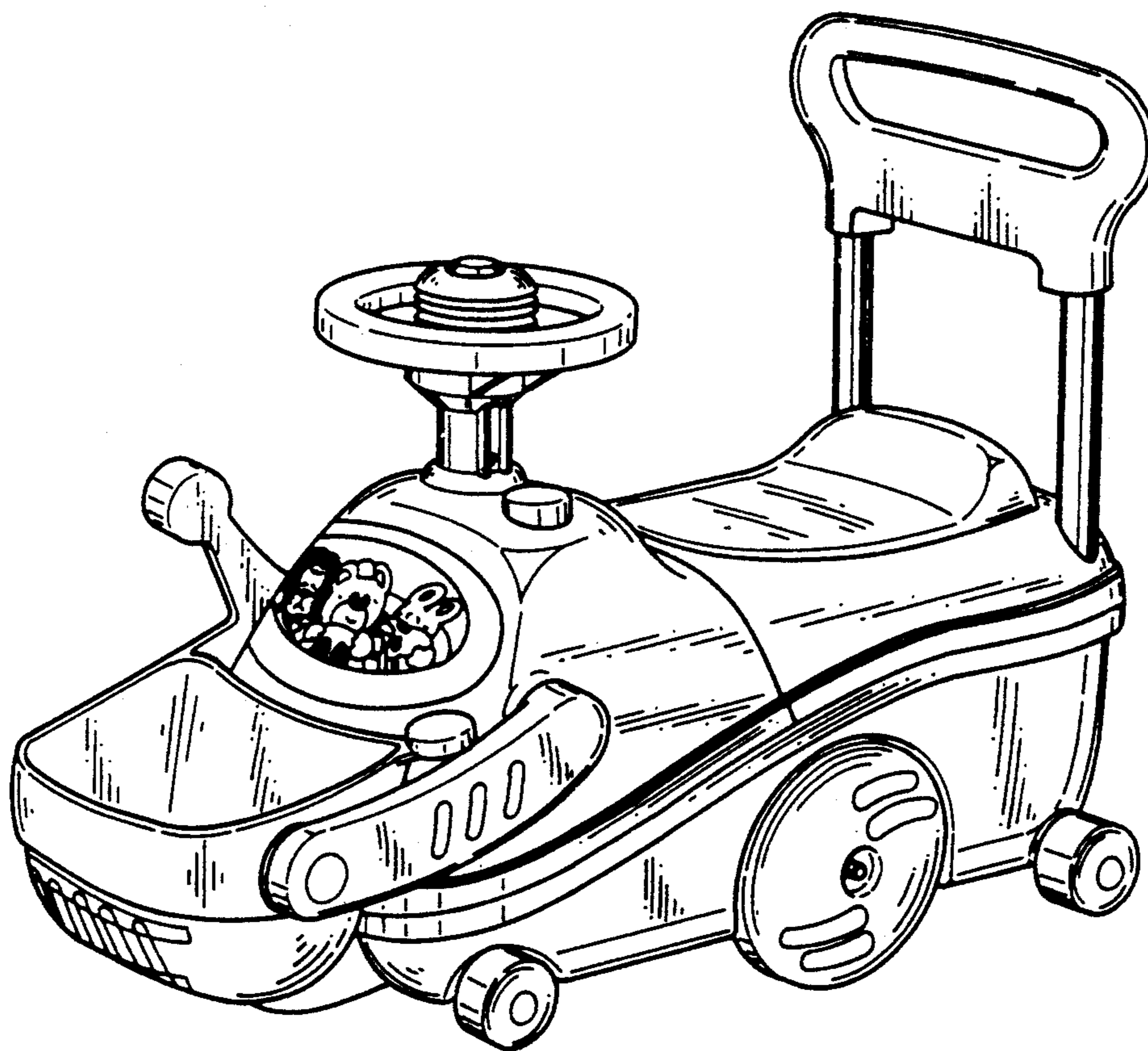


Fig. 3

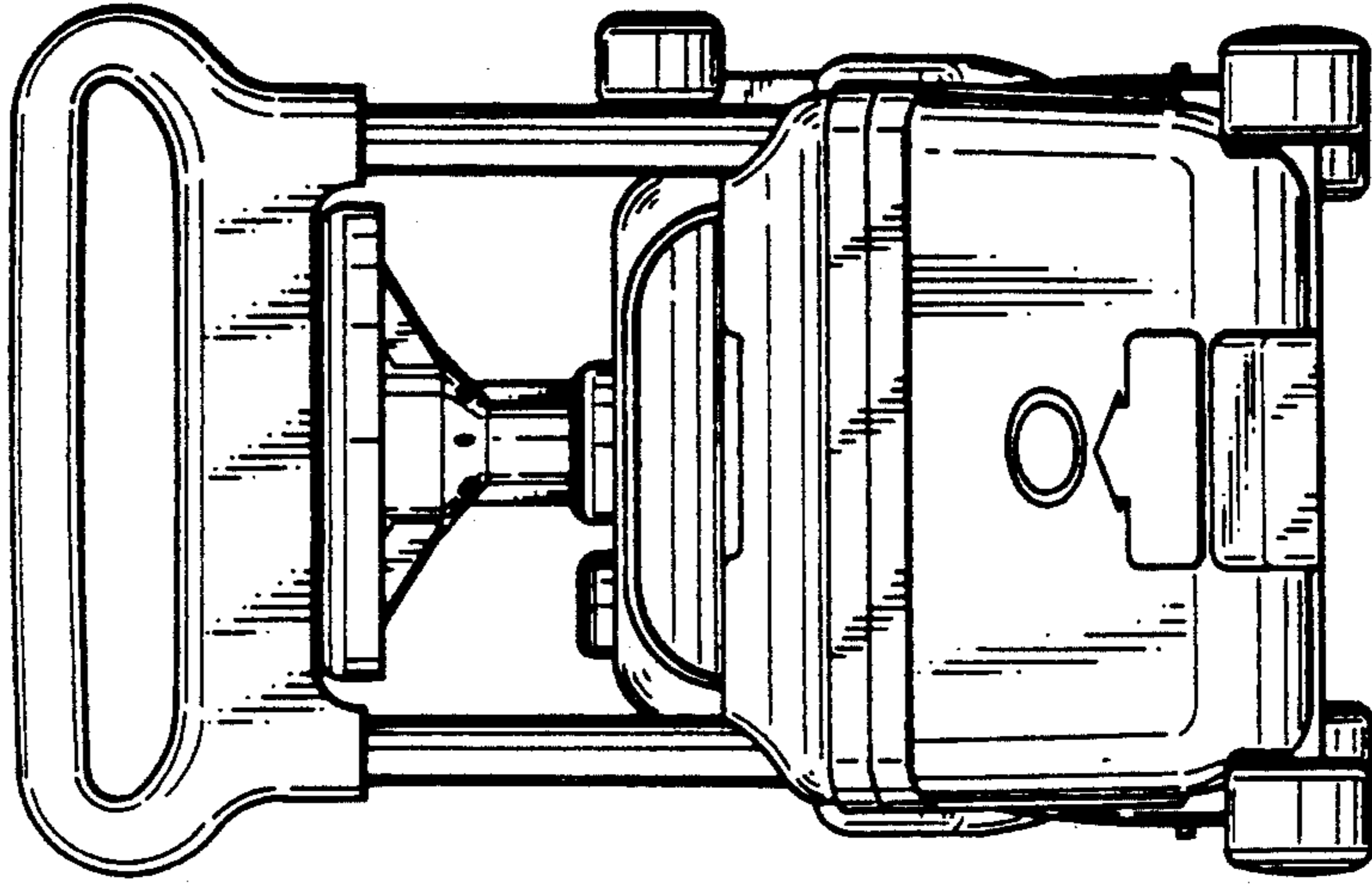


Fig. 2

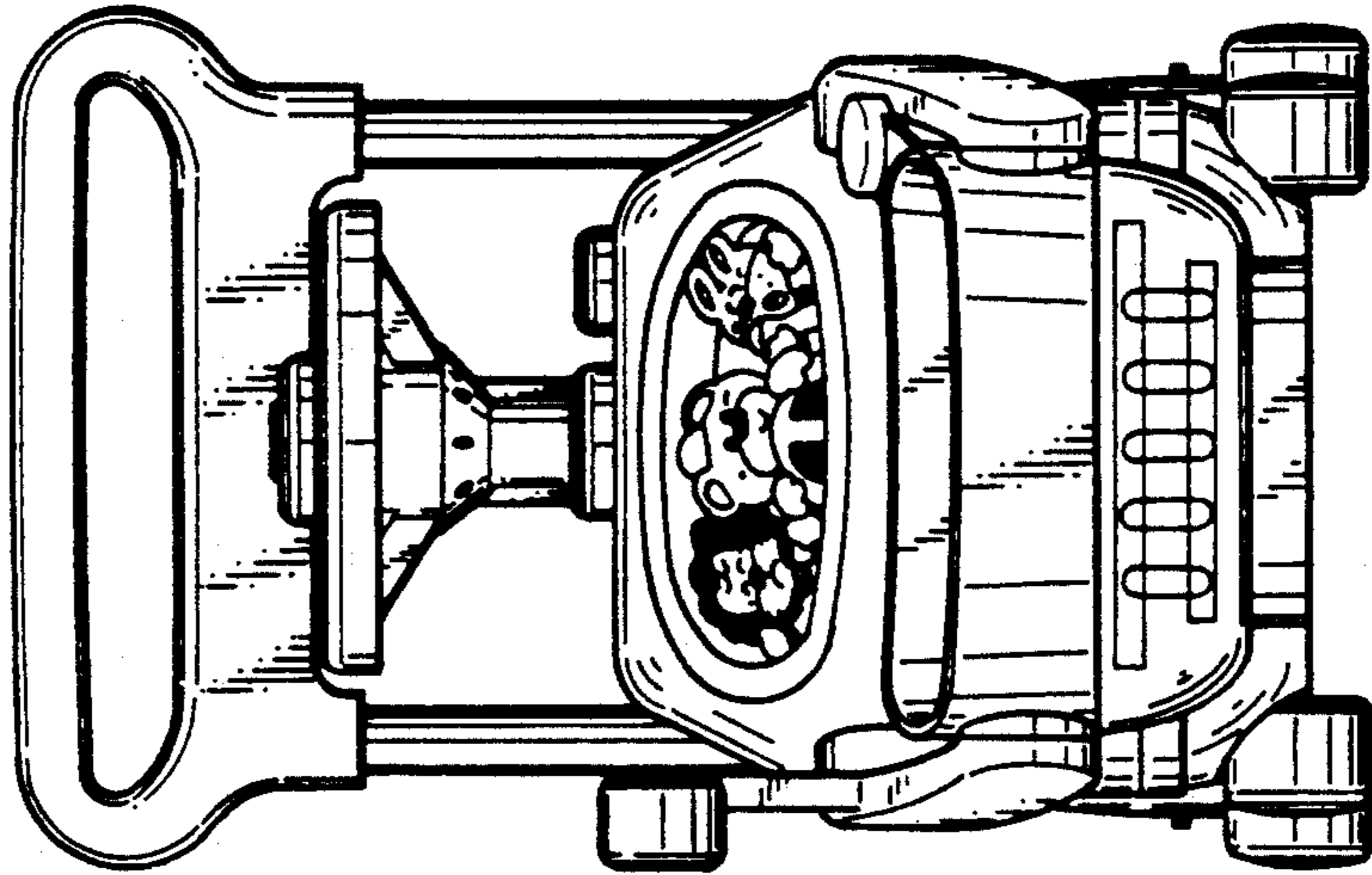


Fig. 4

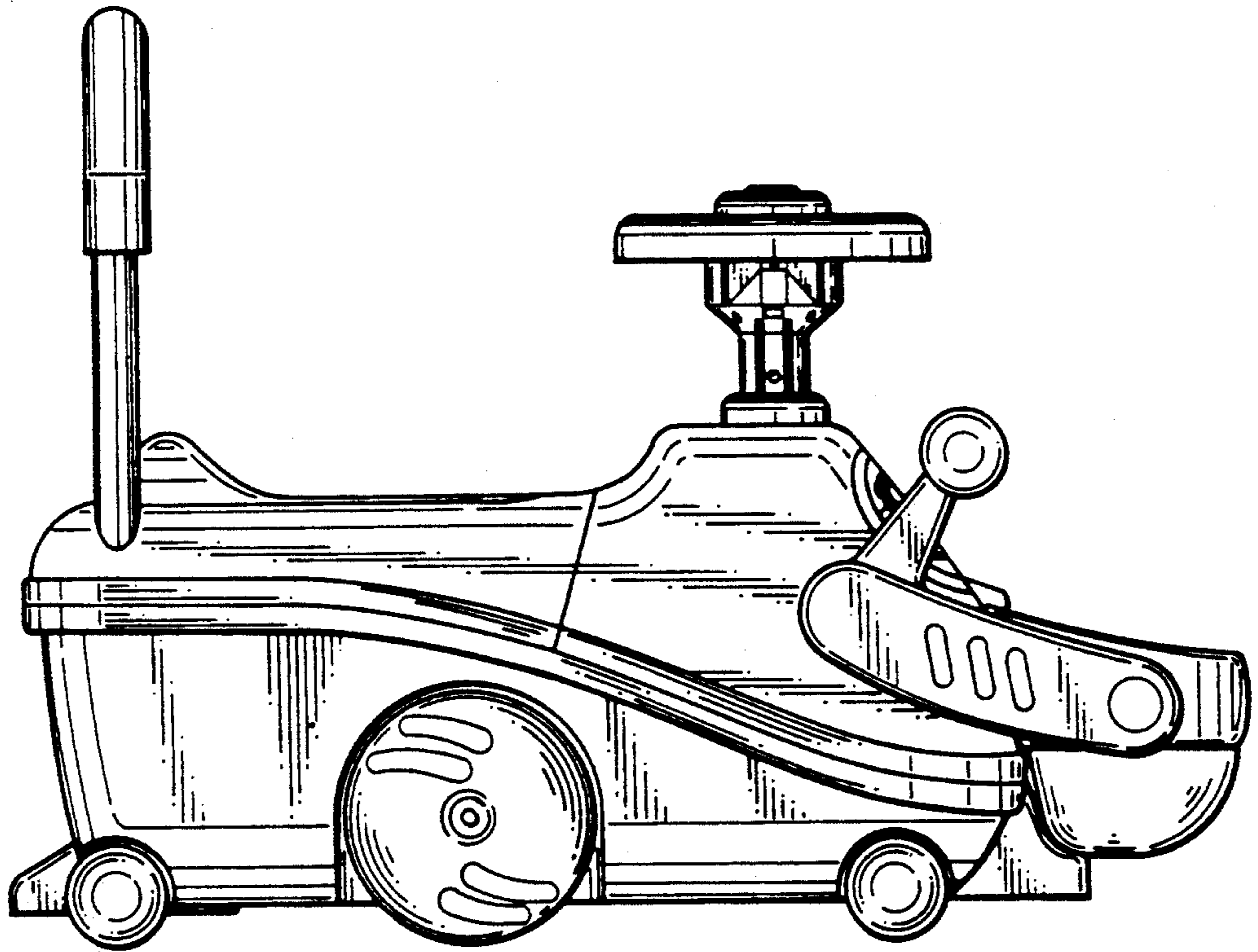


Fig. 5

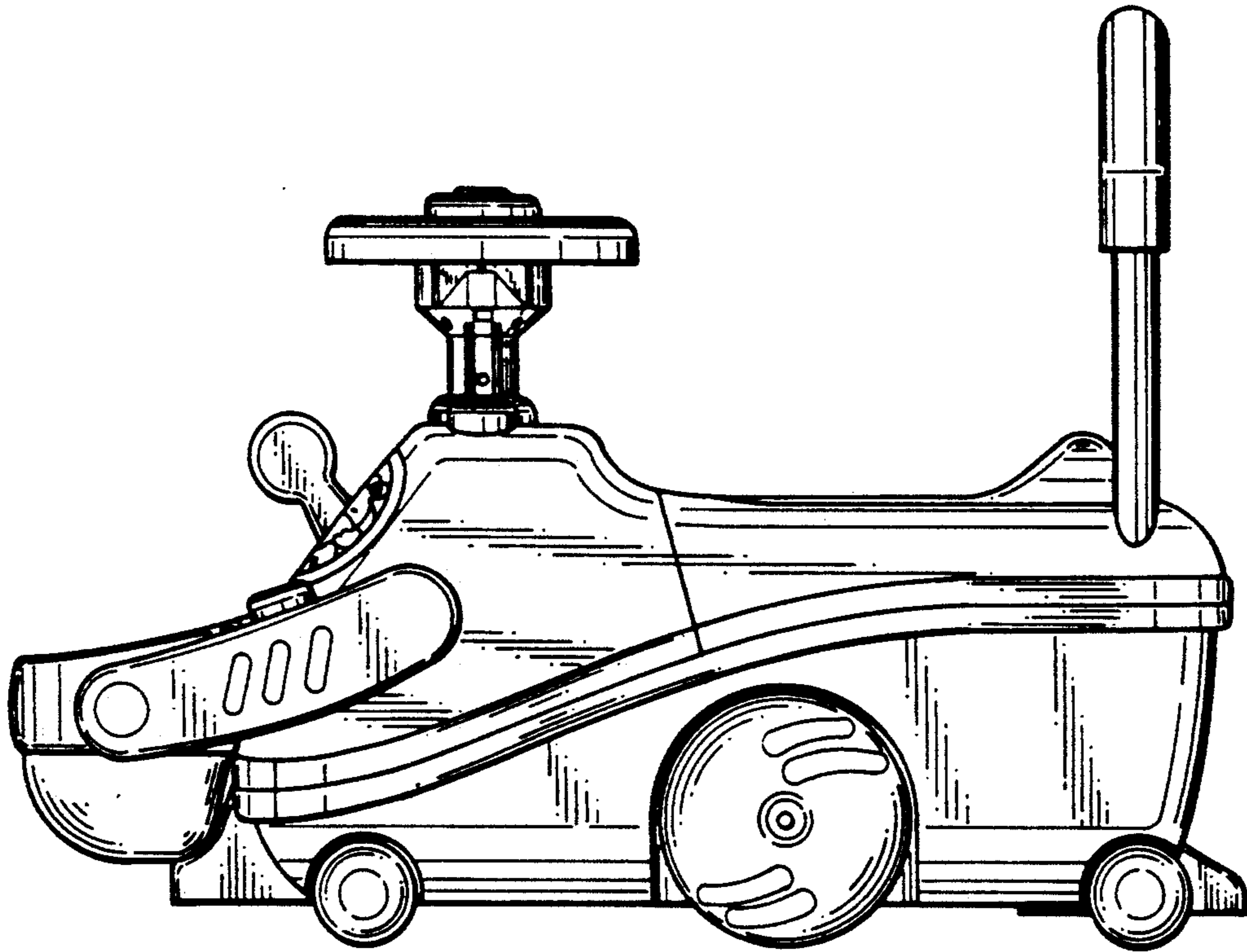


Fig. 6

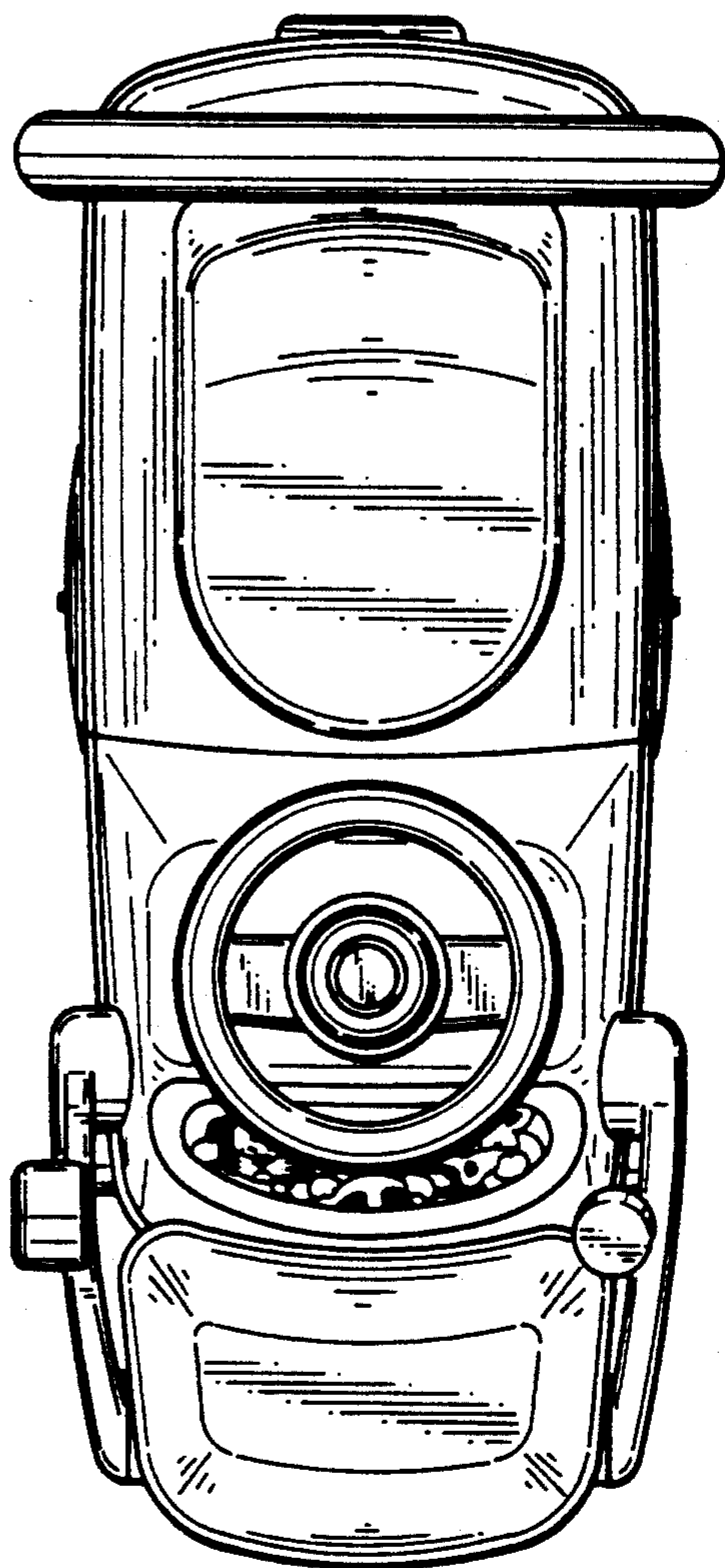


Fig. 7

