



US00D336109S

United States Patent [19]

[11] Patent Number: **Des. 336,109**

Chan

[45] Date of Patent: **** Jun. 1, 1993**

[54] **TAPE DISPENSER**

[75] Inventor: **Eric P. Chan**, New York, N.Y.

[73] Assignee: **American Trading & Production Corporation**, Baltimore, Md.

[**] Term: **14 Years**

[21] Appl. No.: **814,018**

[22] Filed: **Dec. 26, 1991**

[52] U.S. Cl. **D19/69; D19/67**

[58] Field of Search **D19/65, 67, 68, 69, D19/75, 95, 99, 100; 225/6, 19, 34, 45, 56, 65, 77, 89; 156/523, 526, 527, 384, 510**

[56] **References Cited**

U.S. PATENT DOCUMENTS

D. 198,958	8/1964	Larsen	D19/69
D. 226,989	5/1973	Kikuchi et al.	D19/69
D. 270,649	9/1983	Evenson	D19/69
D. 297,548	9/1988	Sun	D19/69

D. 303,550	9/1989	Ancona et al.	D19/67
D. 329,462	9/1992	Bain	D19/67 X
2,477,014	7/1949	Stanley et al.	D19/69 X

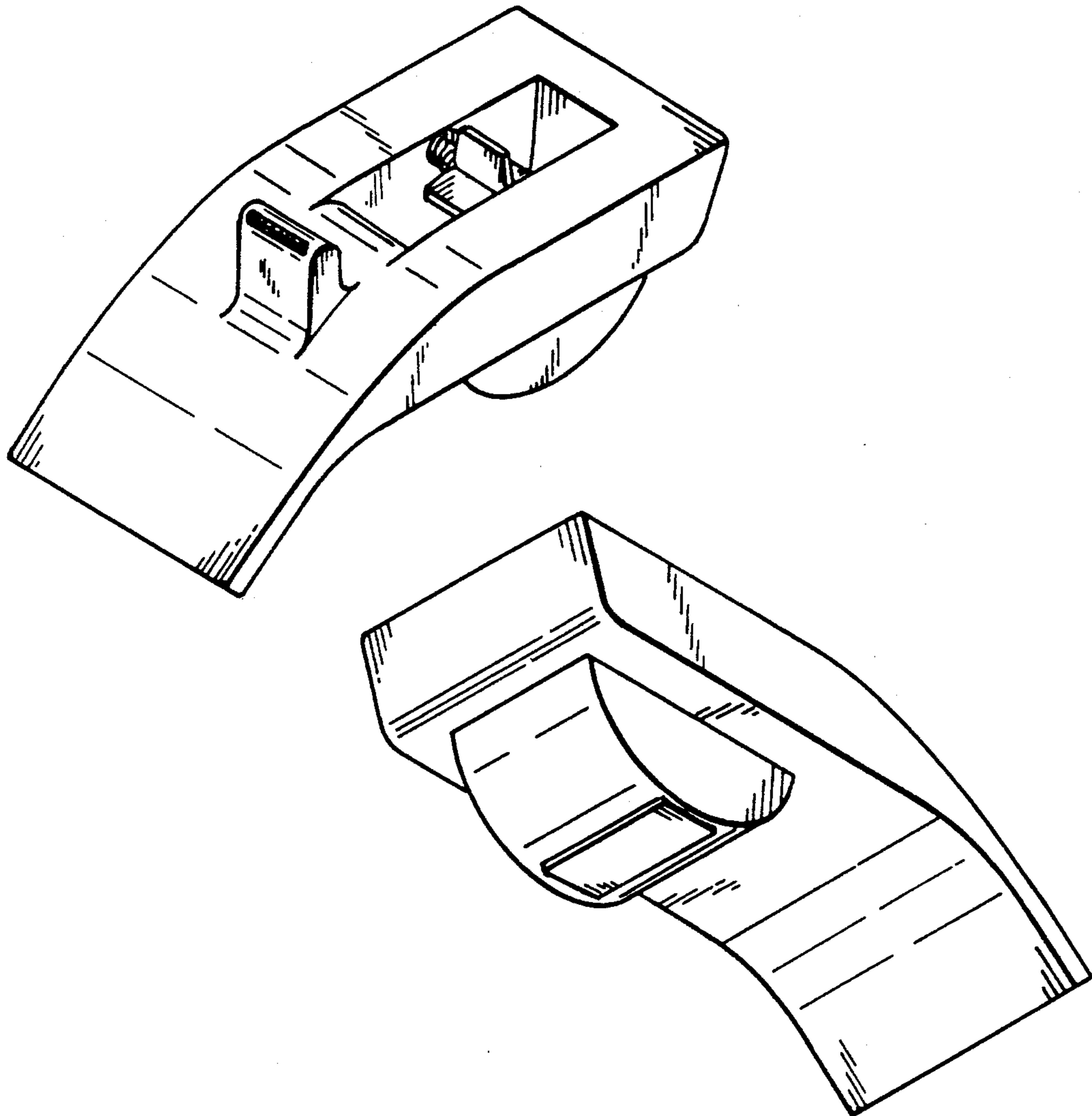
Primary Examiner—Nelson C. Holtje
Assistant Examiner—Martha Thompson
Attorney, Agent, or Firm—Cohn, Powell & Hind

[57] **CLAIM**

The ornamental design for a tape dispenser, as shown and described.

DESCRIPTION

FIG. 1 is an upper, front perspective view of a tape dispenser showing my new design; FIG. 2 is a lower, rear perspective view thereof; FIG. 3 is a top plan view thereof; FIG. 4 is a right side elevational view thereof; FIG. 5 is a left side elevational view thereof; FIG. 6 is a front elevational view thereof; FIG. 7 is a rear elevational view thereof; and, FIG. 8 is a bottom plan view thereof.



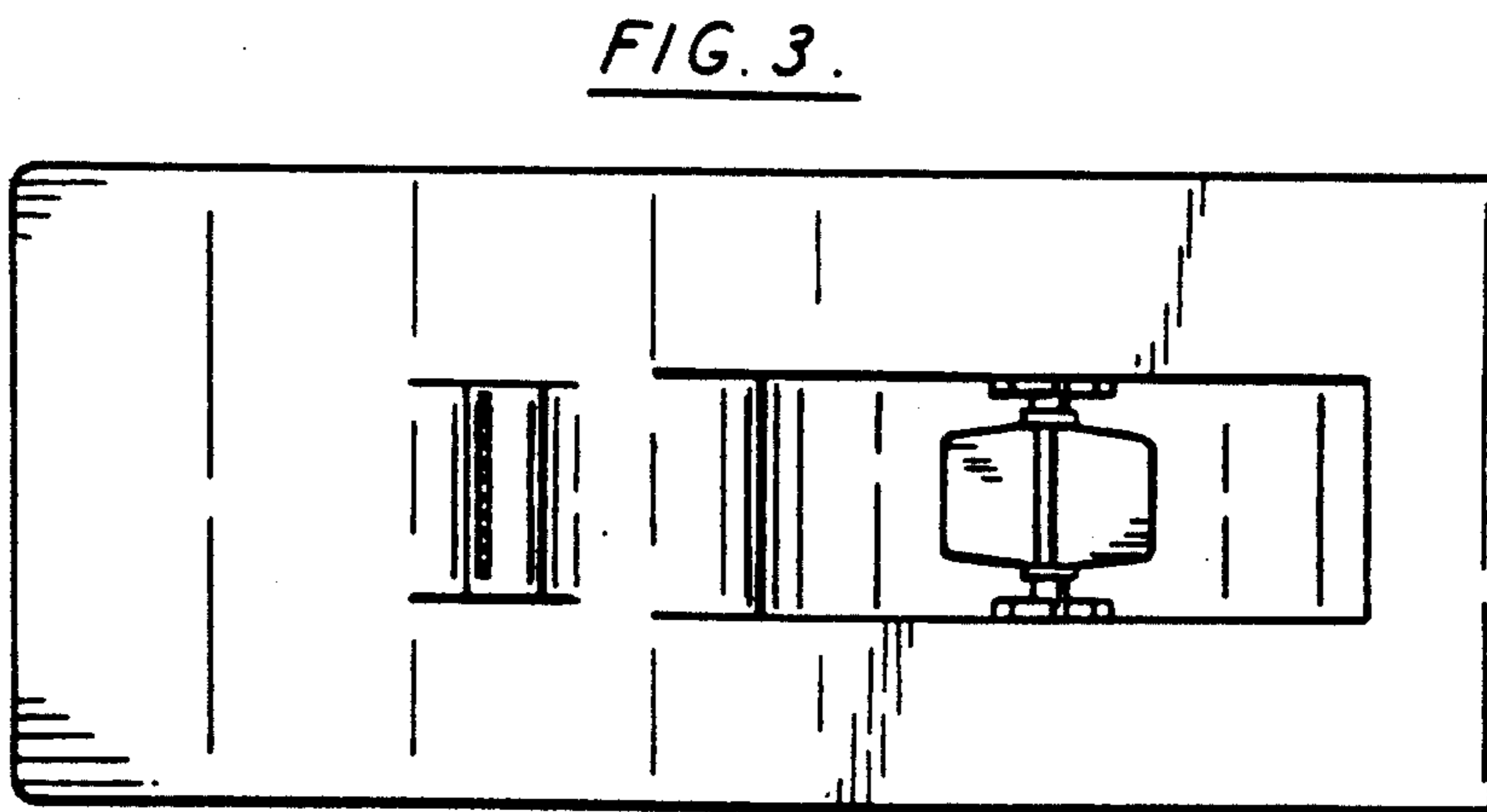
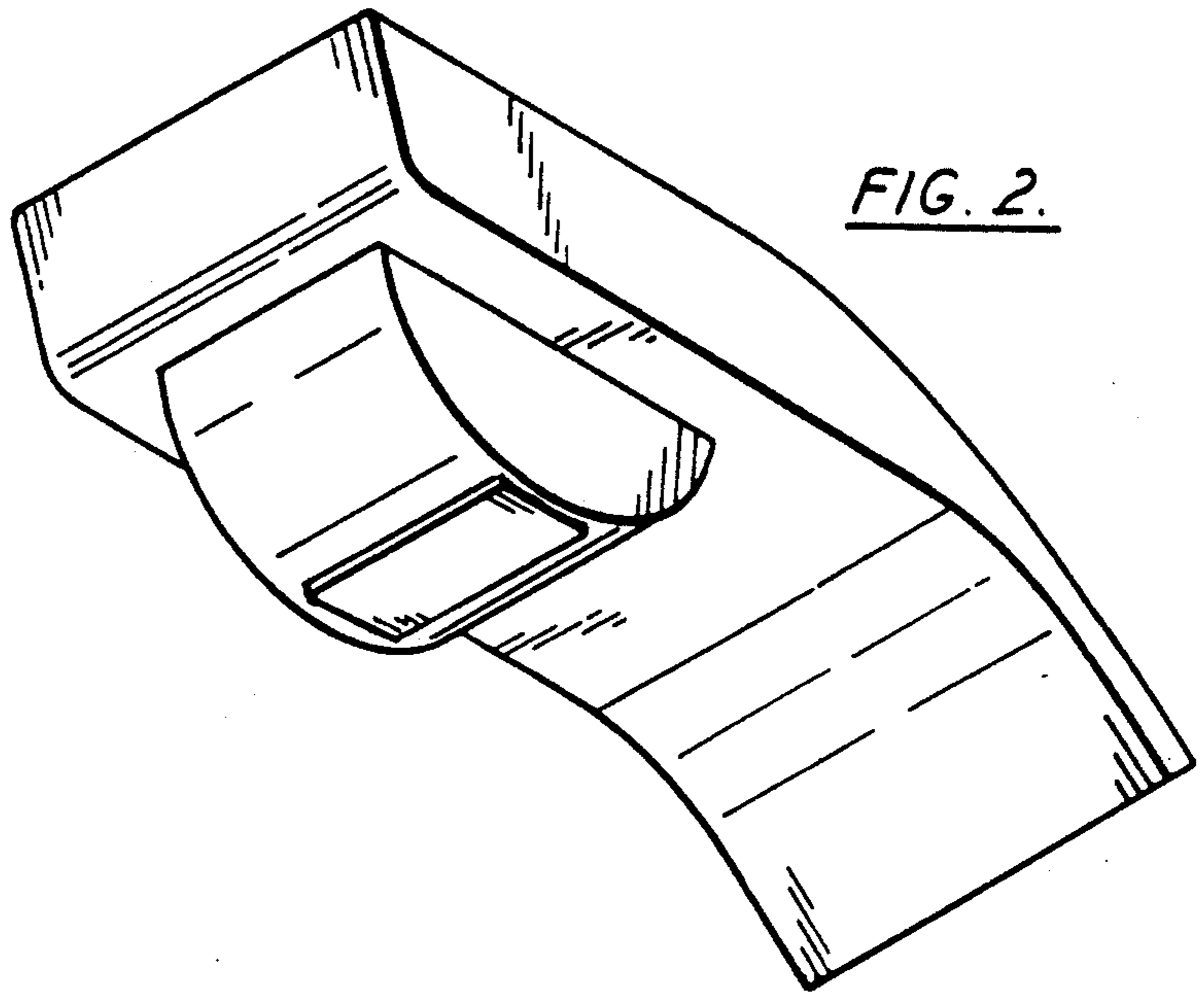
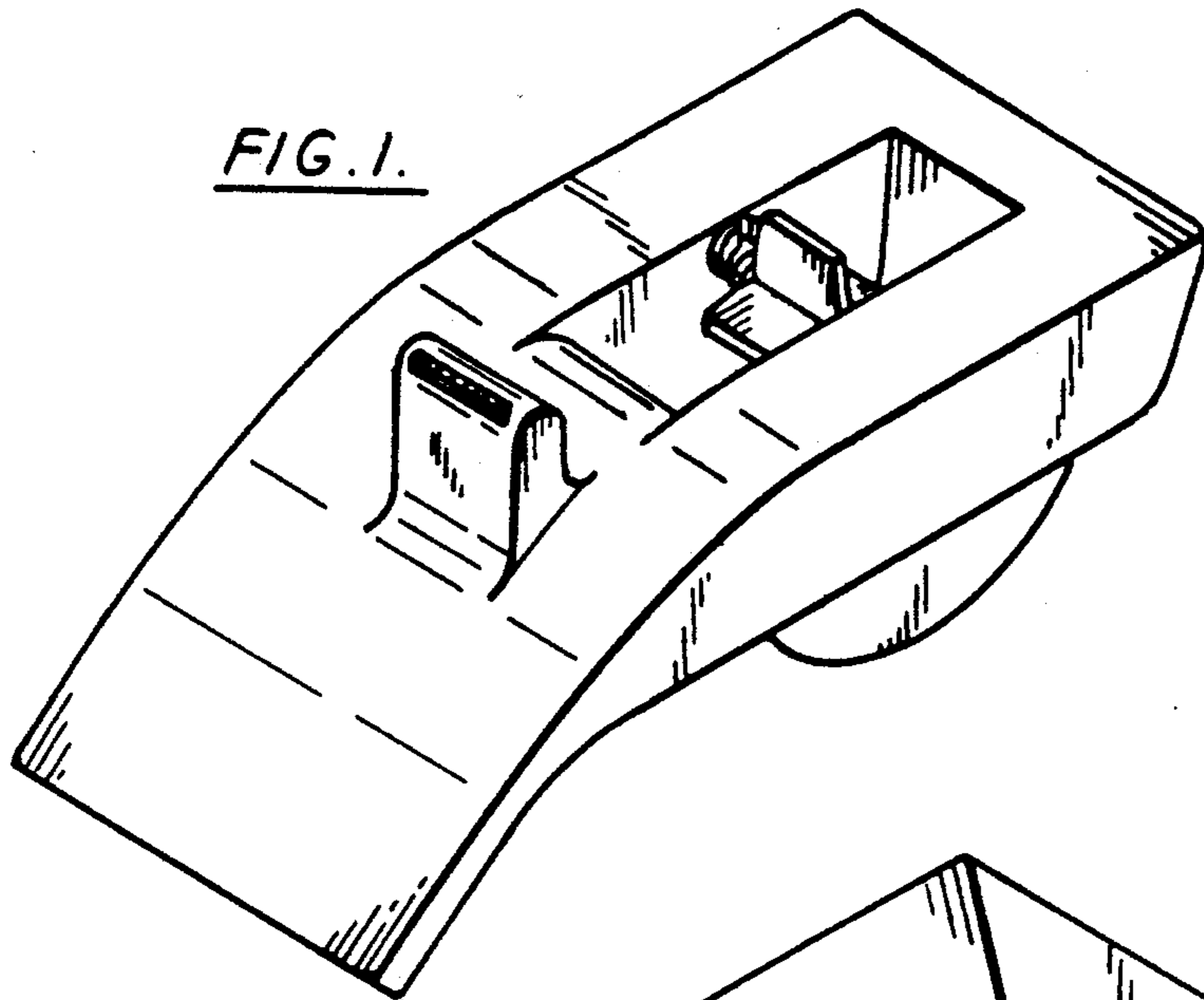


FIG. 4.

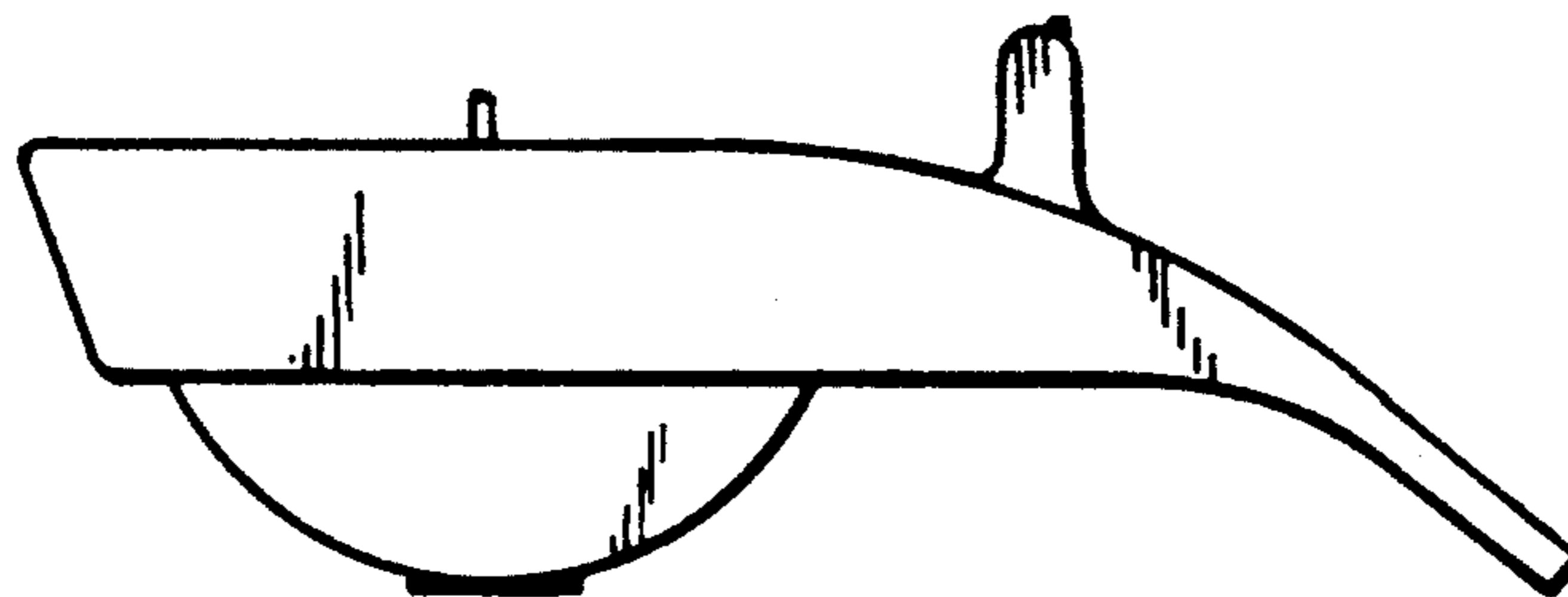
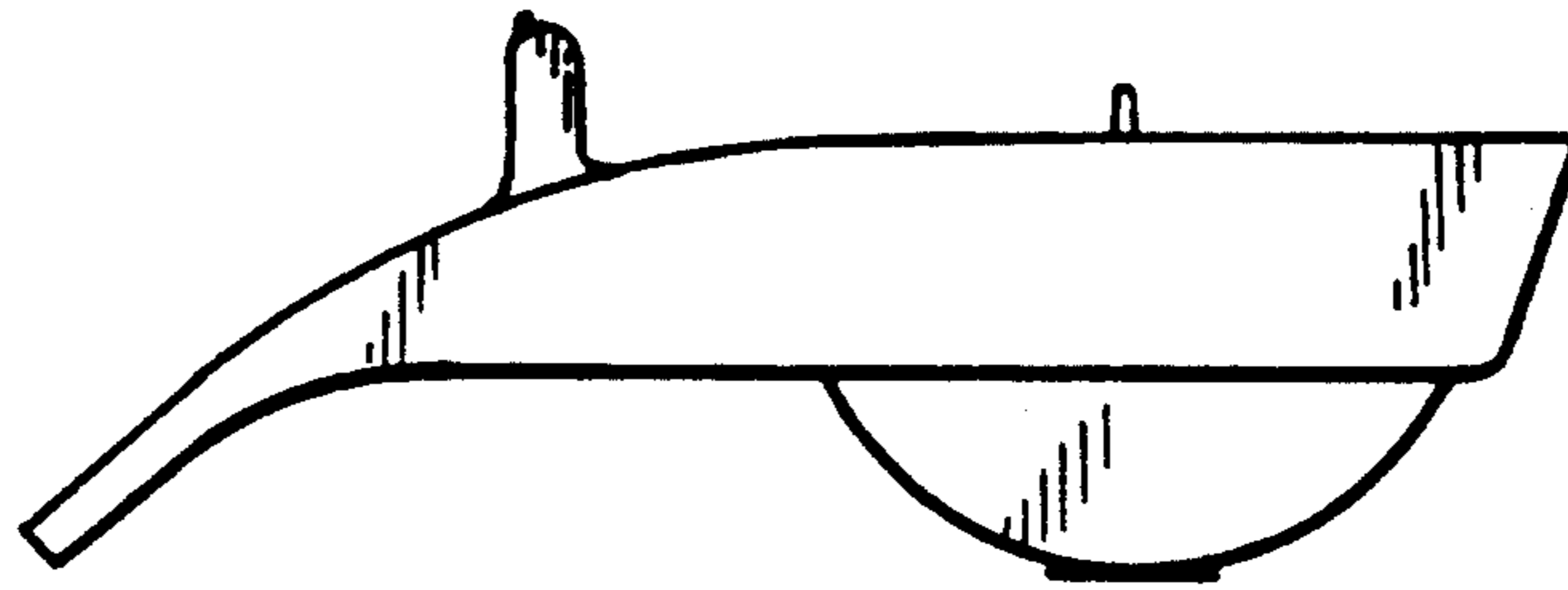


FIG. 5.

FIG. 6.

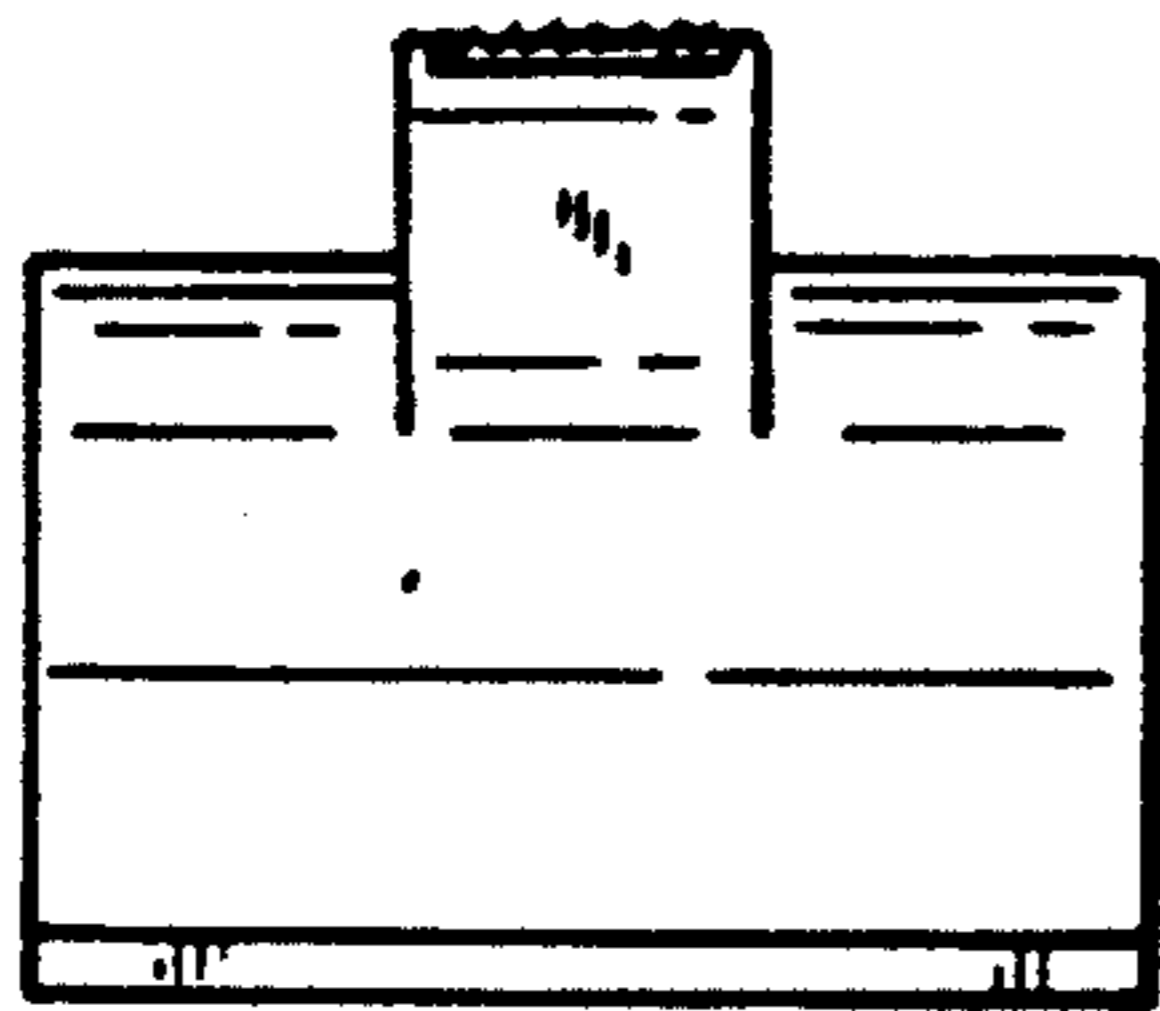


FIG. 7.

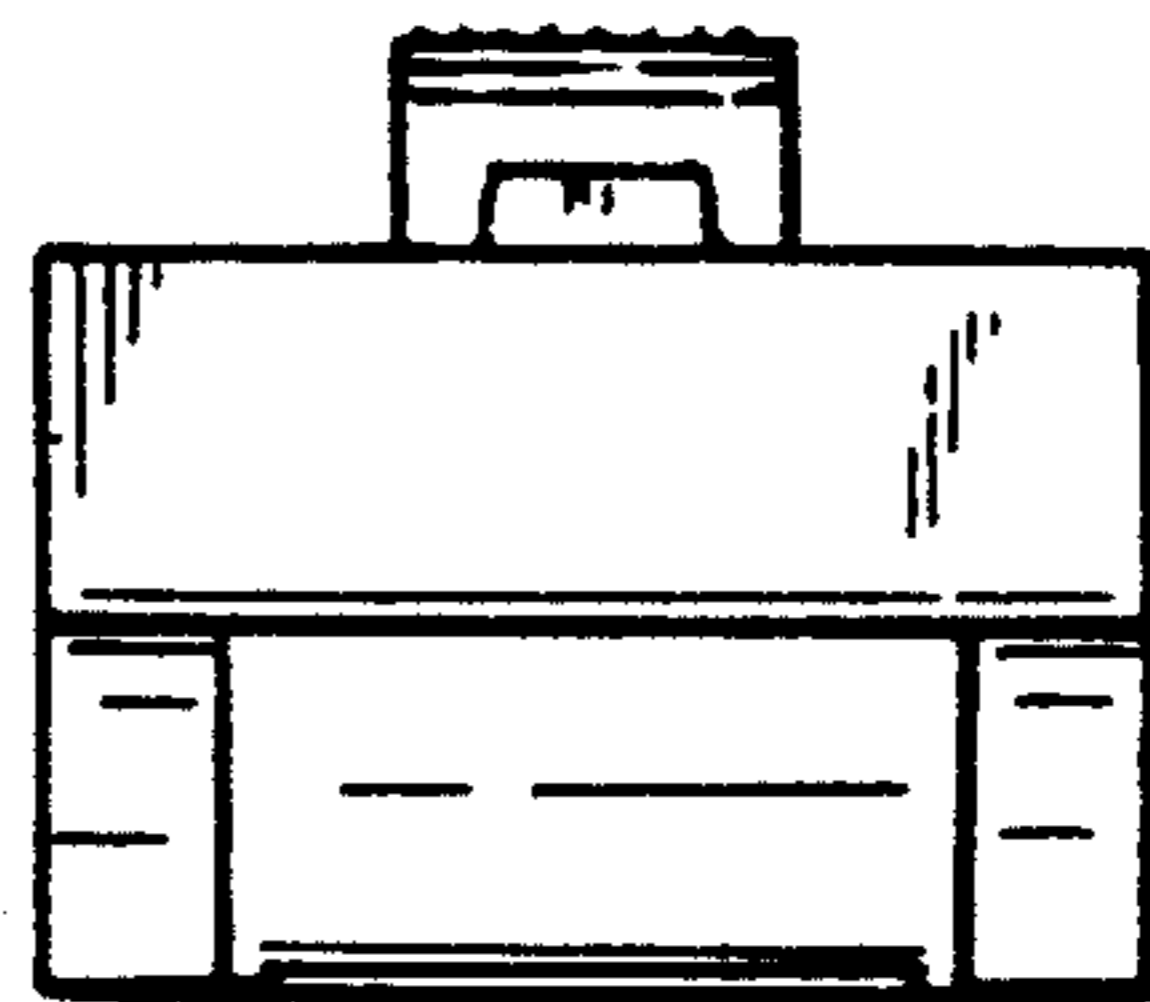


FIG. 8.

