



US00D336101S

United States Patent [19]

[11] Patent Number: **Des. 336,101**

Lewis

[45] Date of Patent: **** Jun. 1, 1993**

[54] **COMBINED CHATTER STICK PERCUSSION INSTRUMENT AND MOUNT THEREFOR**

[76] Inventor: **Alan C. Lewis, Rd. #1 Box 153L, Union Dale, Pa. 18470**

[**] Term: **14 Years**

[21] Appl. No.: **490,251**

[22] Filed: **Mar. 8, 1990**

[52] U.S. Cl. **D17/22**

[58] Field of Search **D17/22, 99; D21/64; 84/402, 403; 446/81, 422**

OTHER PUBLICATIONS

Grossman Music Corp. Catalog, 1968 p. 100 (Slap-Sticks).

Primary Examiner—Bernard Ansher
Assistant Examiner—Adir Aronovich
Attorney, Agent, or Firm—Terry M. Gernstein

[57] CLAIM

The ornamental design for a combined chatter stick percussion instrument and mount therefor, as shown and described.

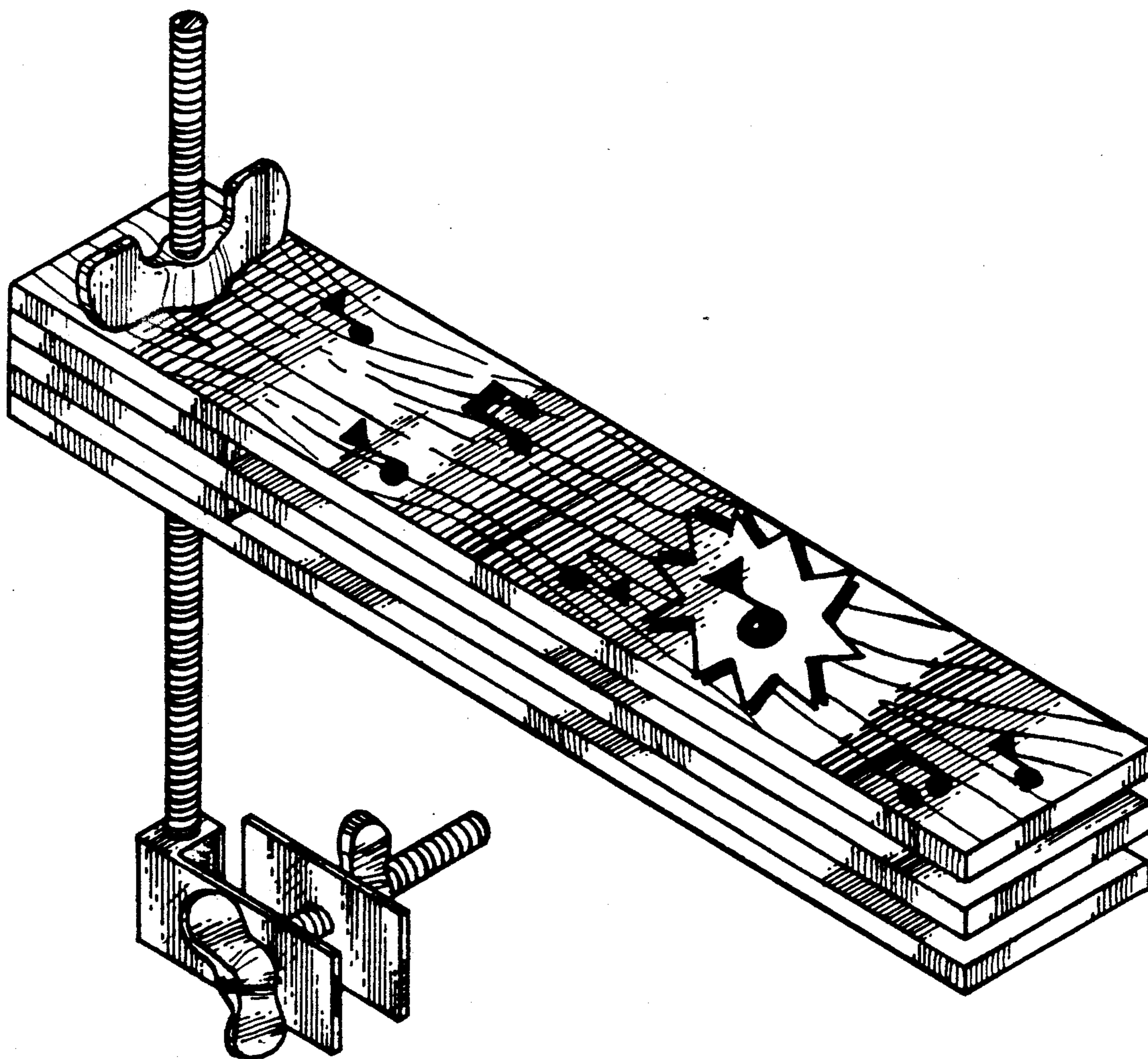
[56] References Cited

U.S. PATENT DOCUMENTS

D. 262,543	1/1982	Heuel et al.	D17/99
1,490,914	4/1924	Cornell	446/422
2,655,070	10/1953	Slaymaker et al.	84/404
3,059,375	10/1962	Tischer	84/402
4,019,277	4/1977	Kenkelen	446/81
4,075,922	2/1978	Smith	84/402
4,901,617	2/1990	Malone et al.	84/402

DESCRIPTION

FIG. 1 is a perspective view of a chatter stick percussion instrument showing my new design; FIG. 2 is an elevational view thereof, the side opposite being a mirror image of the side shown in FIG. 2, with the exception of the mounting bolt; FIG. 3 is an end elevational view thereof; FIG. 4 is a top plan view thereof; and, FIG. 5 is a bottom plan view thereof.



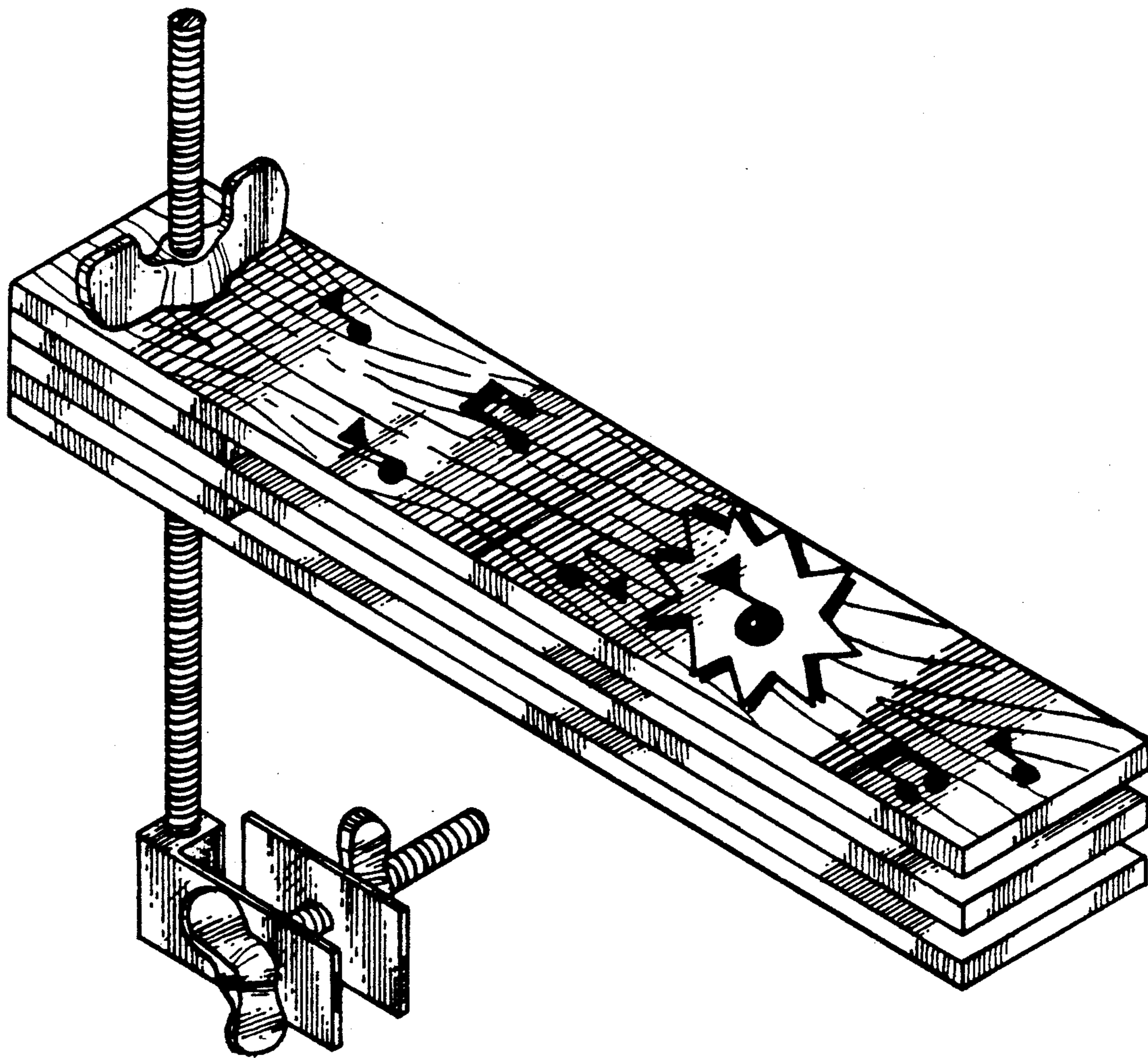


FIG. 1

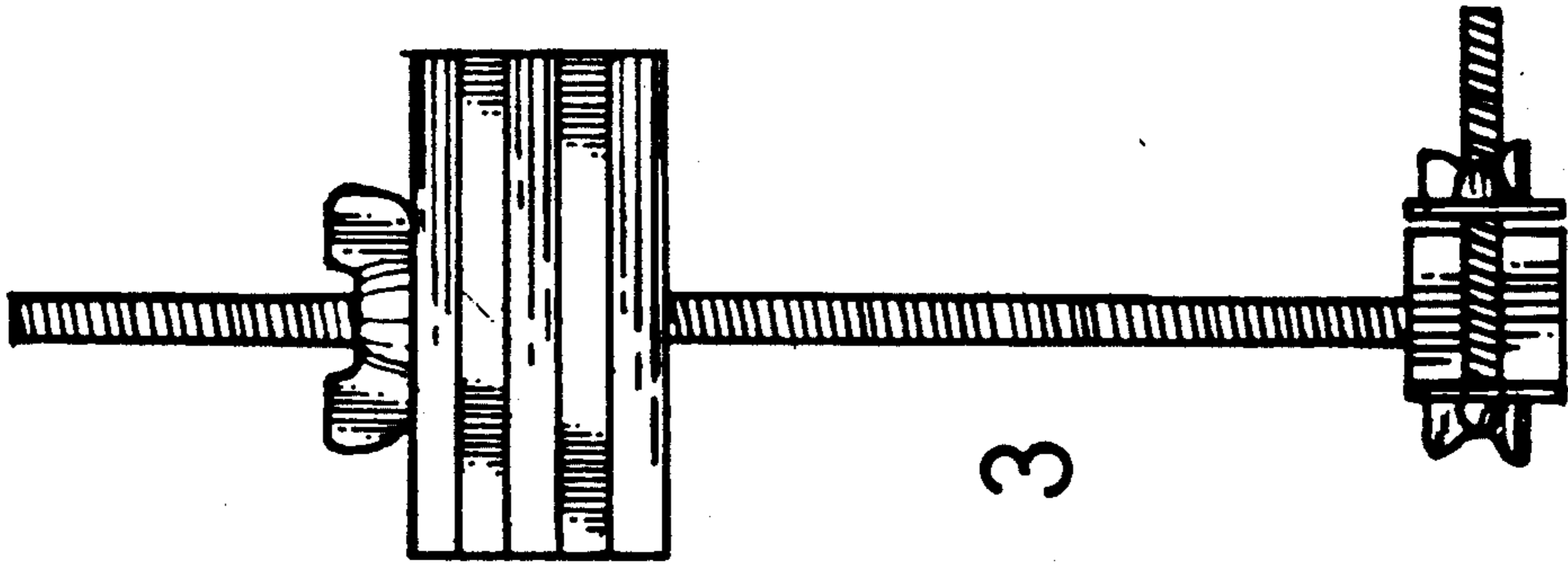


FIG. 3

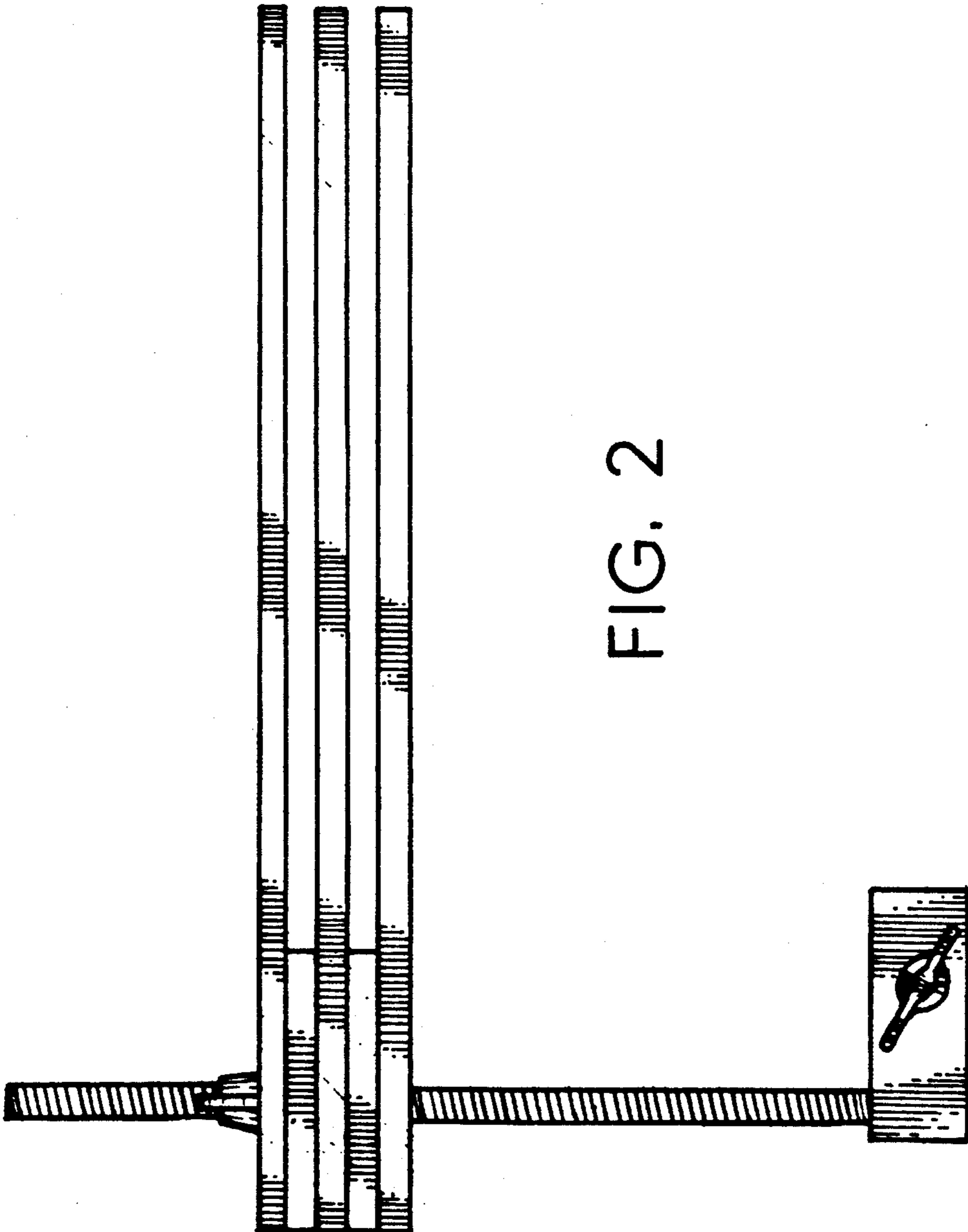


FIG. 2

