



US00D336096S

United States Patent [19]

[11] Patent Number: **Des. 336,096**

Färndahl et al.

[45] Date of Patent: **** Jun. 1, 1993**

[54] **GAS BURNER**

[56] **References Cited**

[75] Inventors: **Stig H. Färndahl, Farsta; Sven-Erik Andersson, Trosa, both of Sweden**

U.S. PATENT DOCUMENTS

603,661 5/1898 Seeley 431/251

[73] Assignee: **Aktiebolaget Electrolux, Stockholm, Sweden**

Primary Examiner—Alan P. Douglas
Assistant Examiner—Antoine D. Davis
Attorney, Agent, or Firm—Pearne, Gordon, McCoy & Granger

[**] Term: **14 Years**

[57] CLAIM

[21] Appl. No.: **698,573**

The ornamental design for a gas burner, as shown and described.

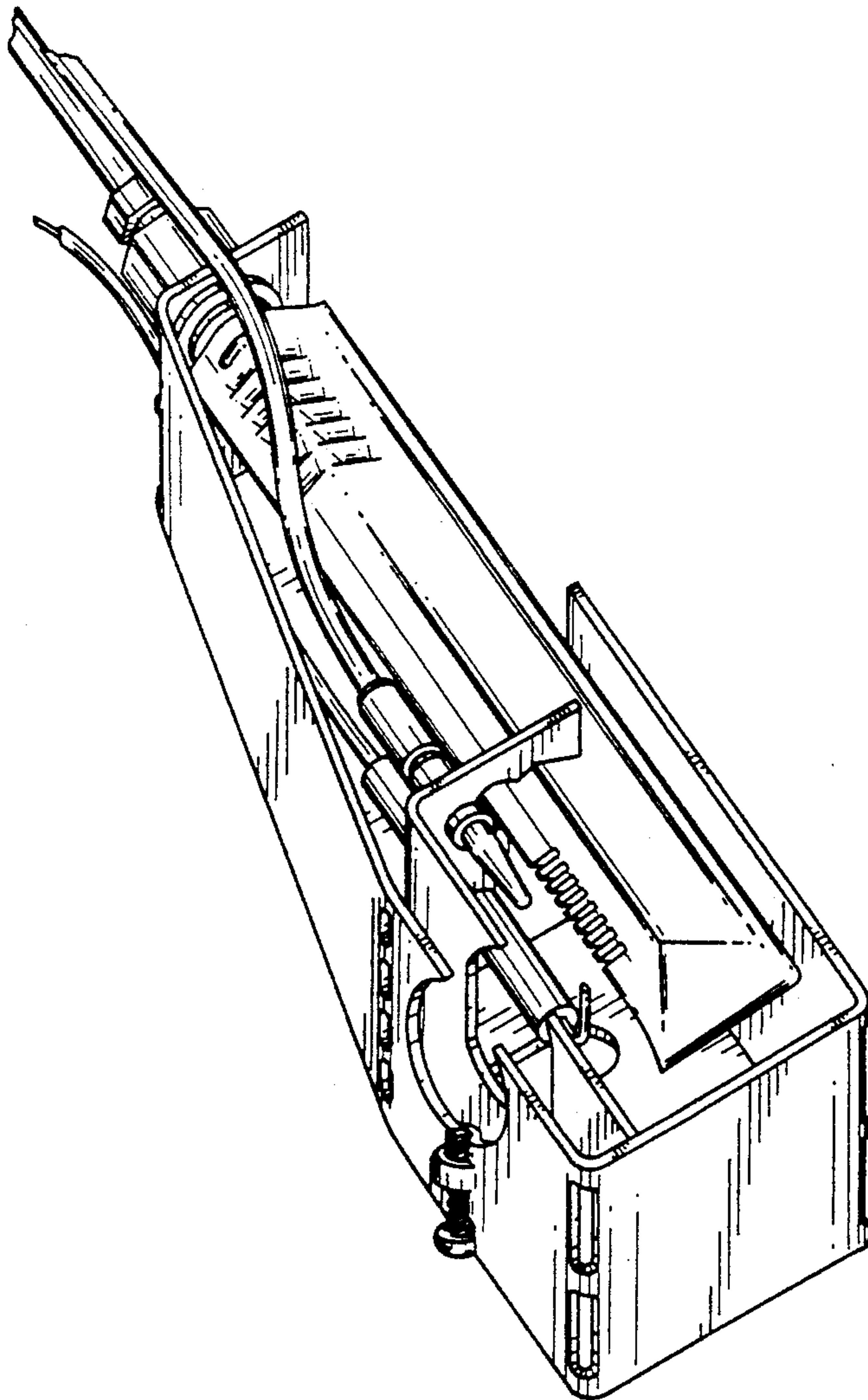
[22] Filed: **May 10, 1991**

DESCRIPTION

[30] Foreign Application Priority Data

Nov. 26, 1990 [SE] Sweden 902532
[52] U.S. Cl. **D15/144.1; D15/144**
[58] Field of Search **D15/144, 144.1; 62/239, 62/244, 236, 456, 476; 126/37, 85 R, 307 A; 165/128; 431/146, 153, 251**

FIG. 1 is a top, left side and rear perspective view of a gas burner showing our new design;
FIG. 2 is a left side elevational view;
FIG. 3 is a right side elevational view;
FIG. 4 is a rear elevational view;
FIG. 5 is a front elevational view;
FIG. 6 is a top plan view; and,
FIG. 7 is a bottom plan view thereof.



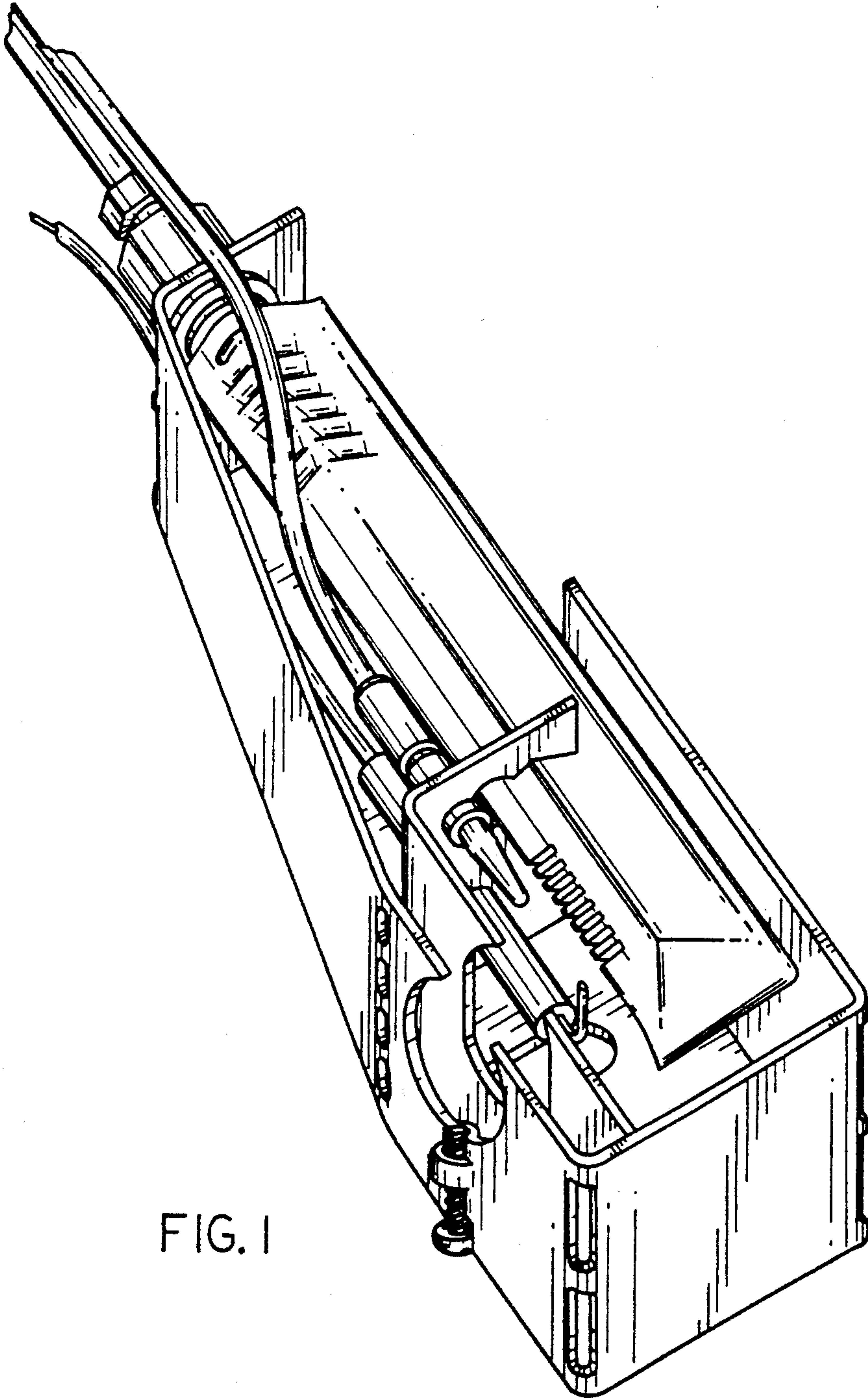


FIG. 1

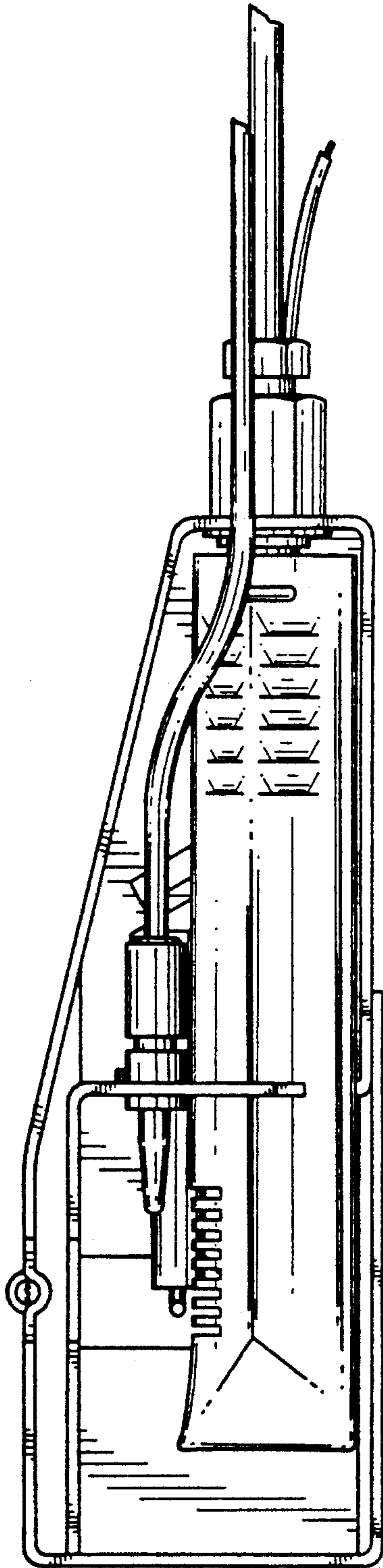


FIG. 2

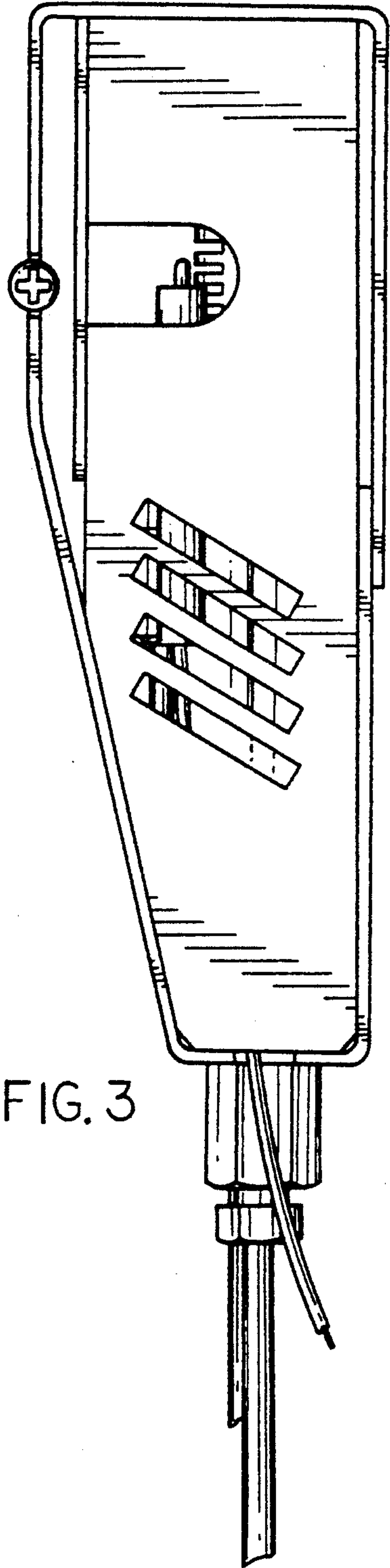


FIG. 3

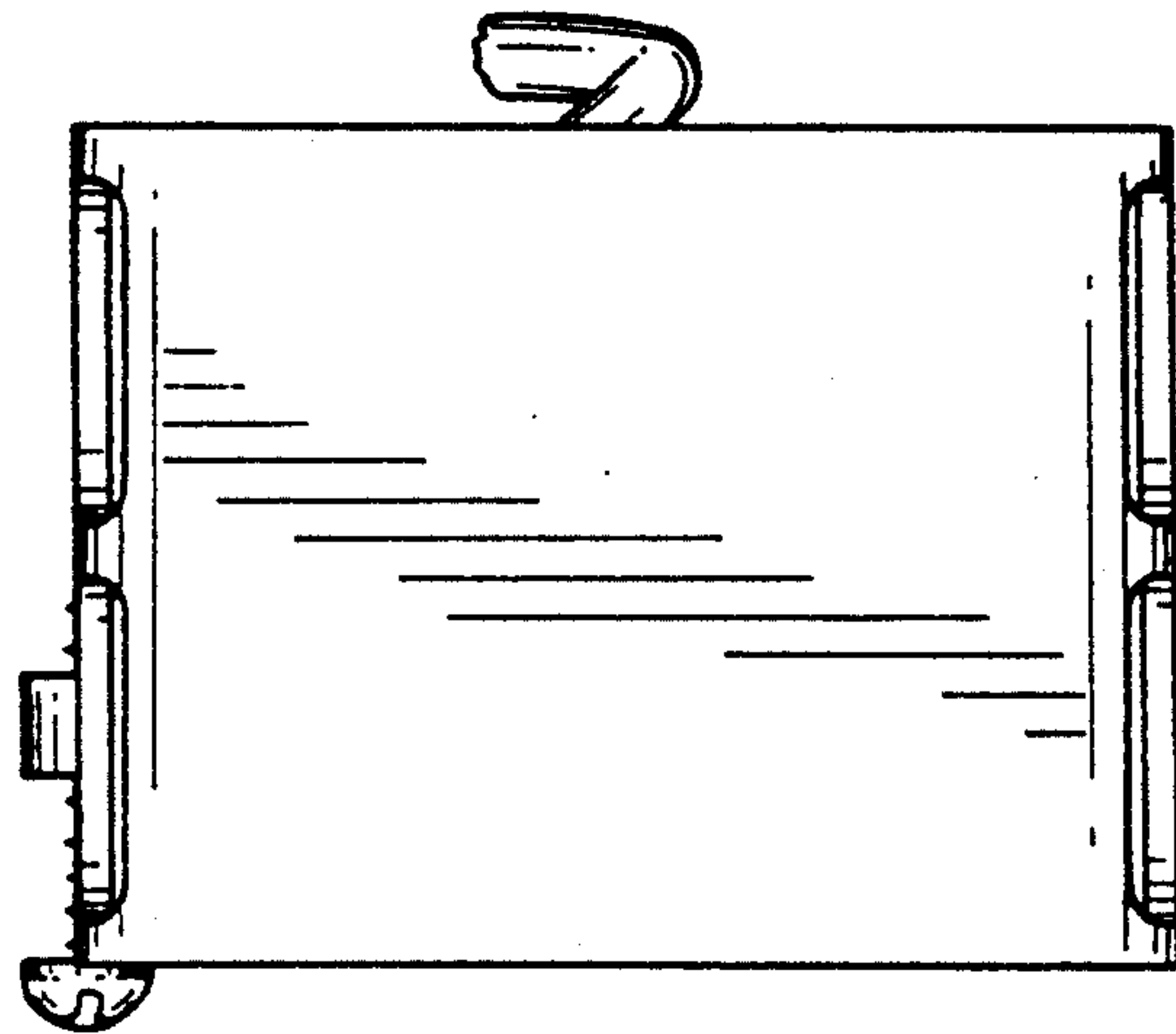


FIG. 4

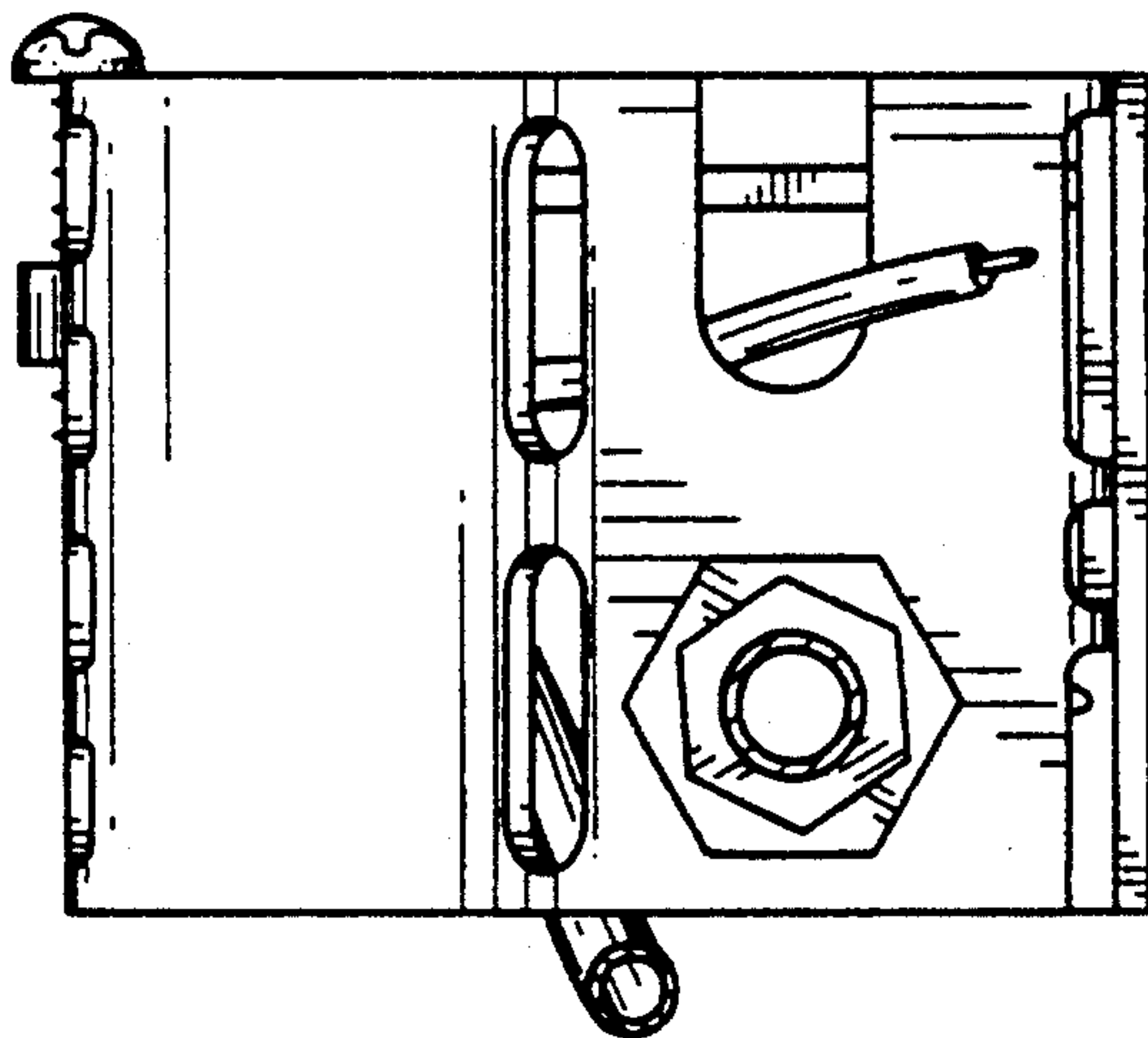


FIG. 5

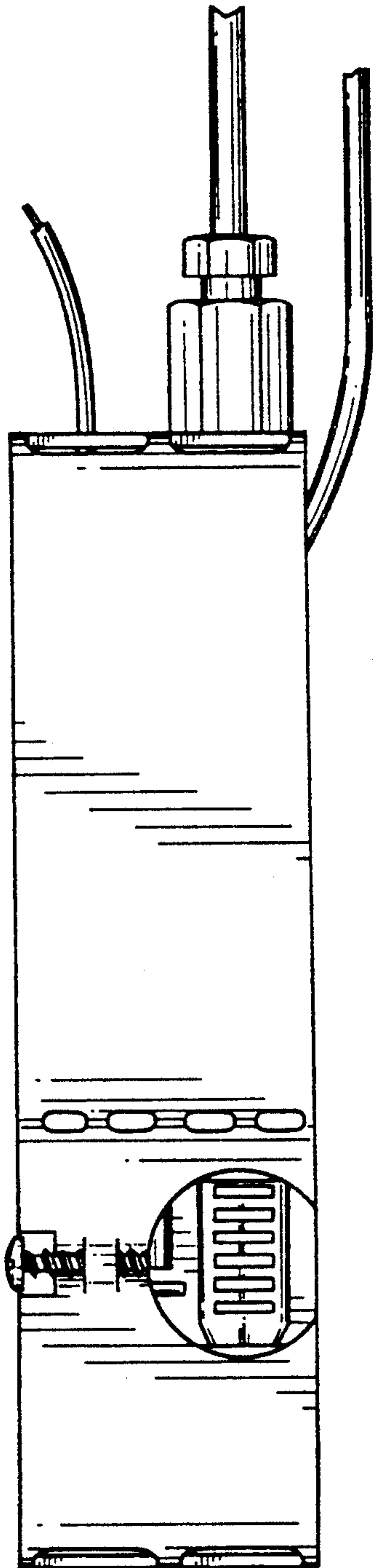


FIG. 6

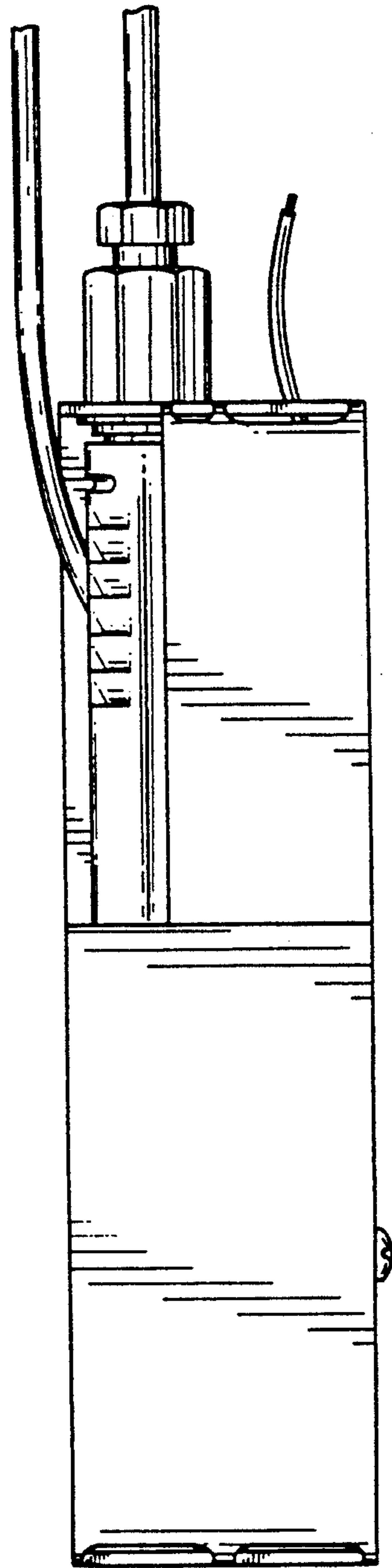


FIG. 7