



US00D336095S

# United States Patent [19]

[11] Patent Number: **Des. 336,095**

Carlson

[45] Date of Patent: **\*\* Jun. 1, 1993**

[54] **HYDRAULIC WORK HOLDER AND POSITIONER**

4,547,092 10/1985 Vetter et al. .... 248/229 X

[76] Inventor: **Bertyl W. Carlson**, 7320 14th Ave. South, Richfield, Minn. 55423

*Primary Examiner*—Alan P. Douglas  
*Assistant Examiner*—Antoine D. Davis  
*Attorney, Agent, or Firm*—Kinney & Lange

[\*\*] Term: **14 Years**

[57] **CLAIM**

[21] Appl. No.: **648,397**

The ornamental design for a hydraulic work holder and positioner, as shown and described.

[22] Filed: **Jan. 30, 1991**

[52] U.S. Cl. .... **D15/140**

**DESCRIPTION**

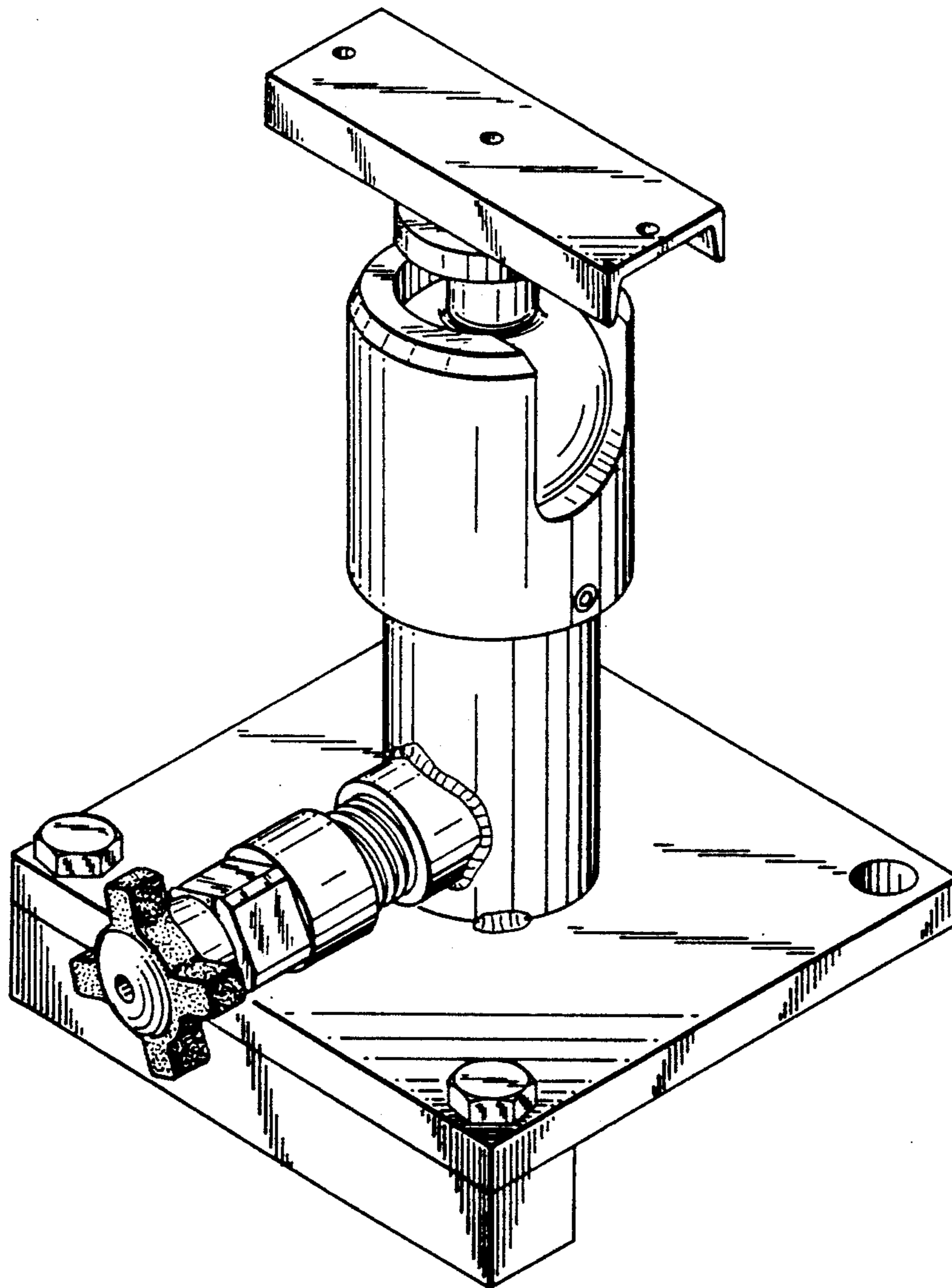
[58] Field of Search ..... **D15/140; 24/136 R, 170, 24/191; 51/97 NC, 216 R, 232; 248/229, 231.7, 316.3, 911, 912**

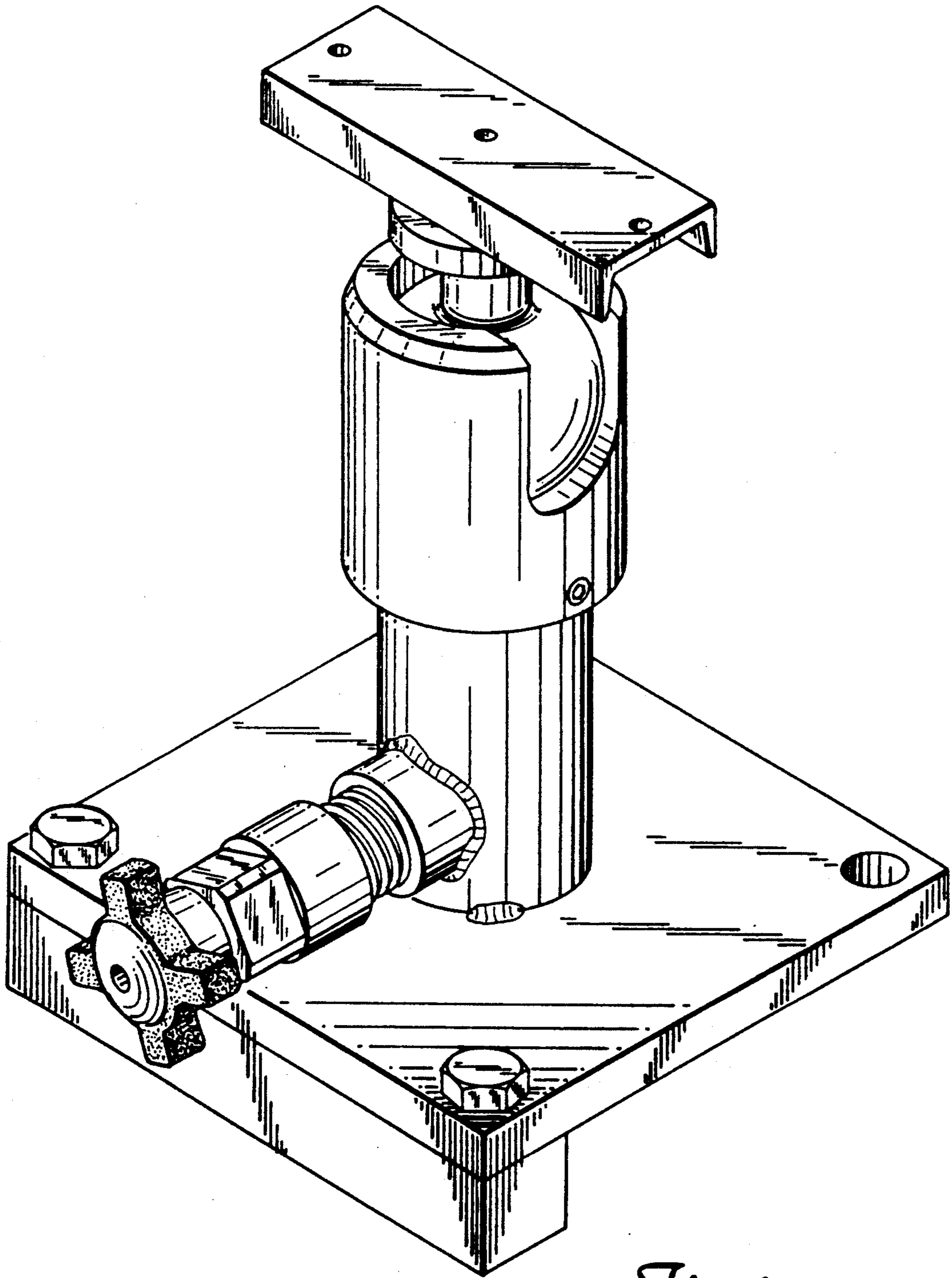
FIG. 1 is a front perspective view of a hydraulic work holder and positioner showing my new design; FIG. 2 is a right side elevational view thereof; FIG. 3 is a left side elevational view thereof; FIG. 4 is a front elevational view thereof; FIG. 5 is a rear elevational view thereof; FIG. 6 is a top plan view thereof; and, FIG. 7 is a bottom plan view thereof.

[56] **References Cited**

**U.S. PATENT DOCUMENTS**

- D. 213,998 4/1969 Thomas et al. .... D15/140
- D. 214,528 6/1969 Thomas et al. .... D15/140





*Fig. 1*

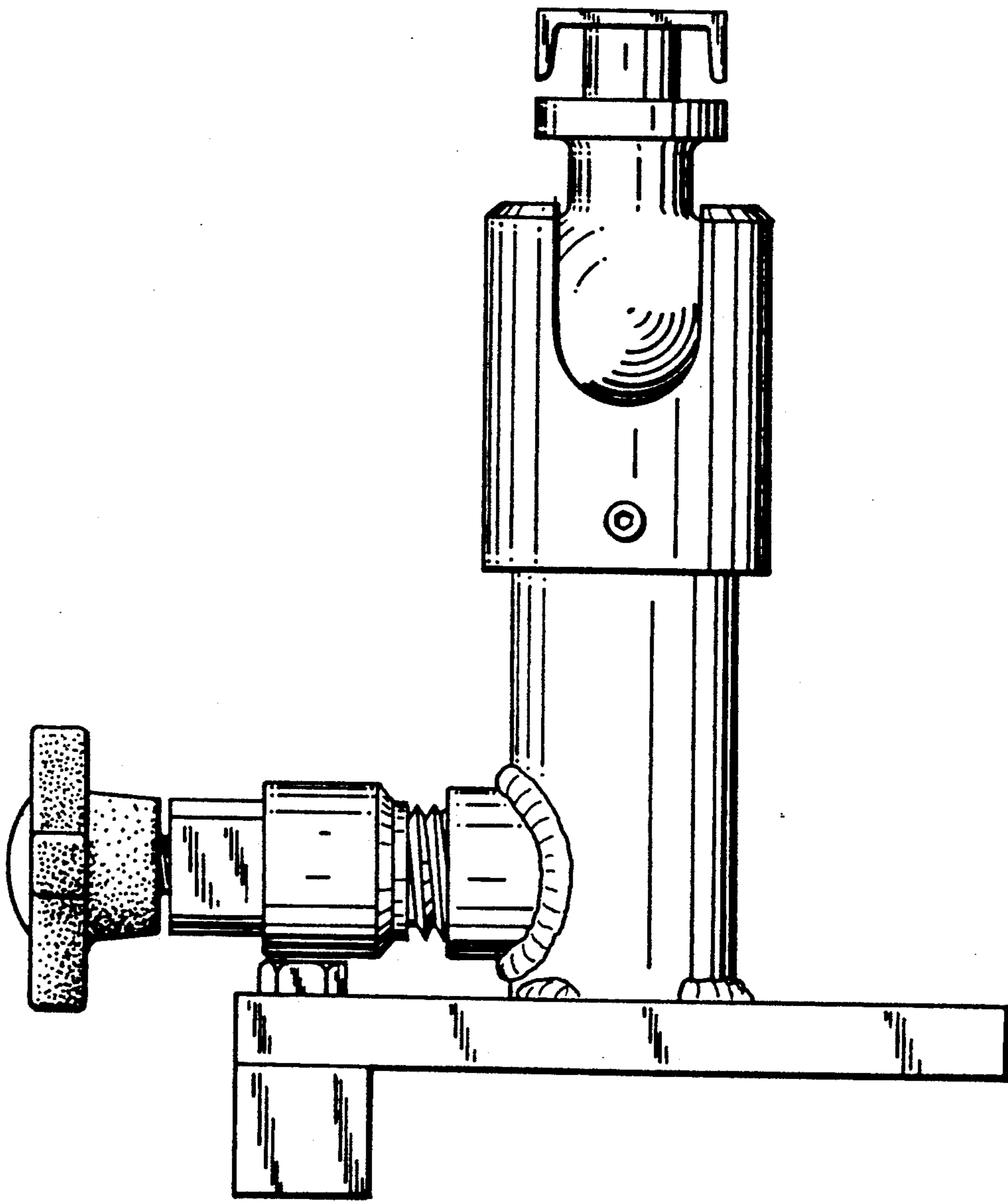
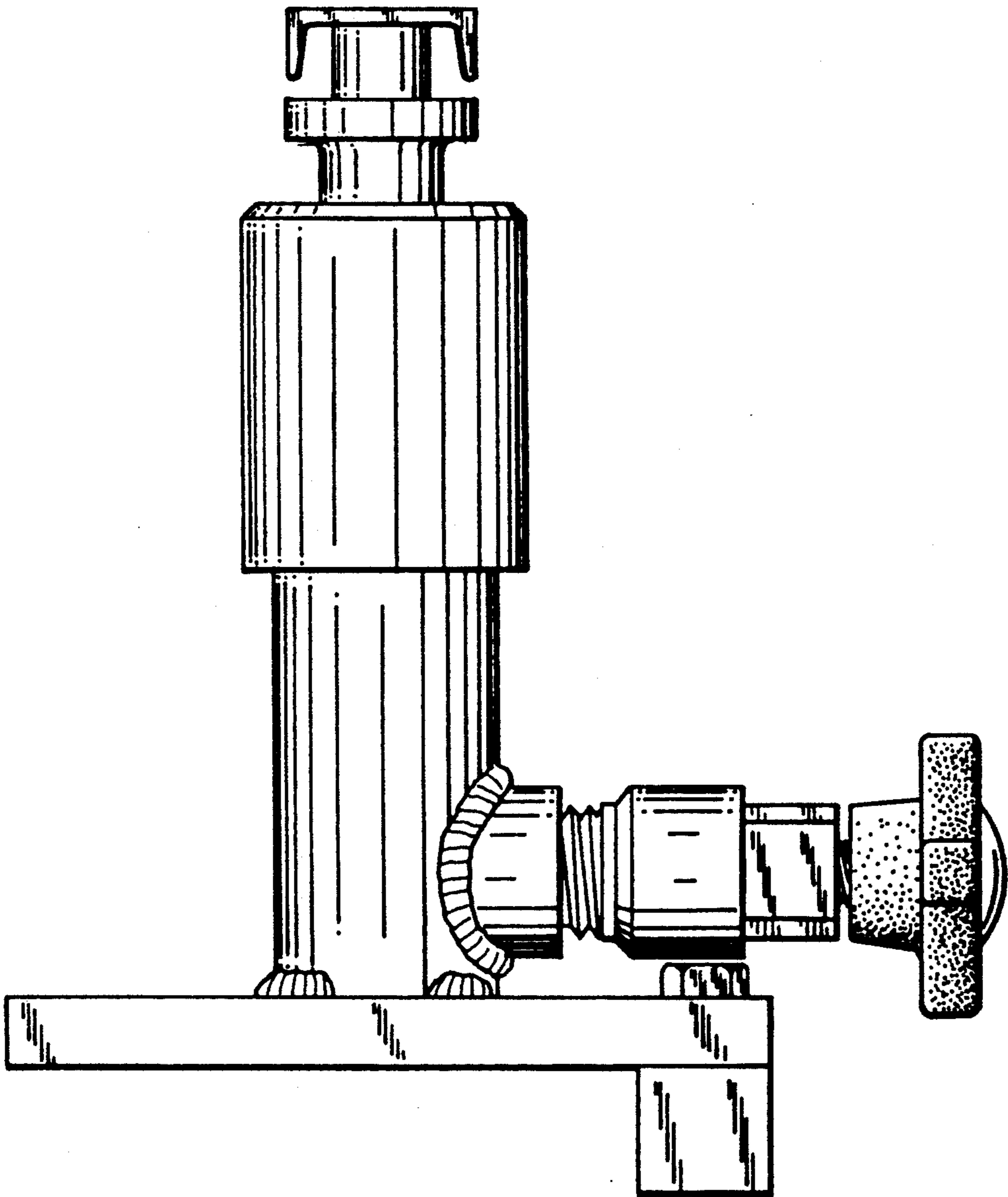
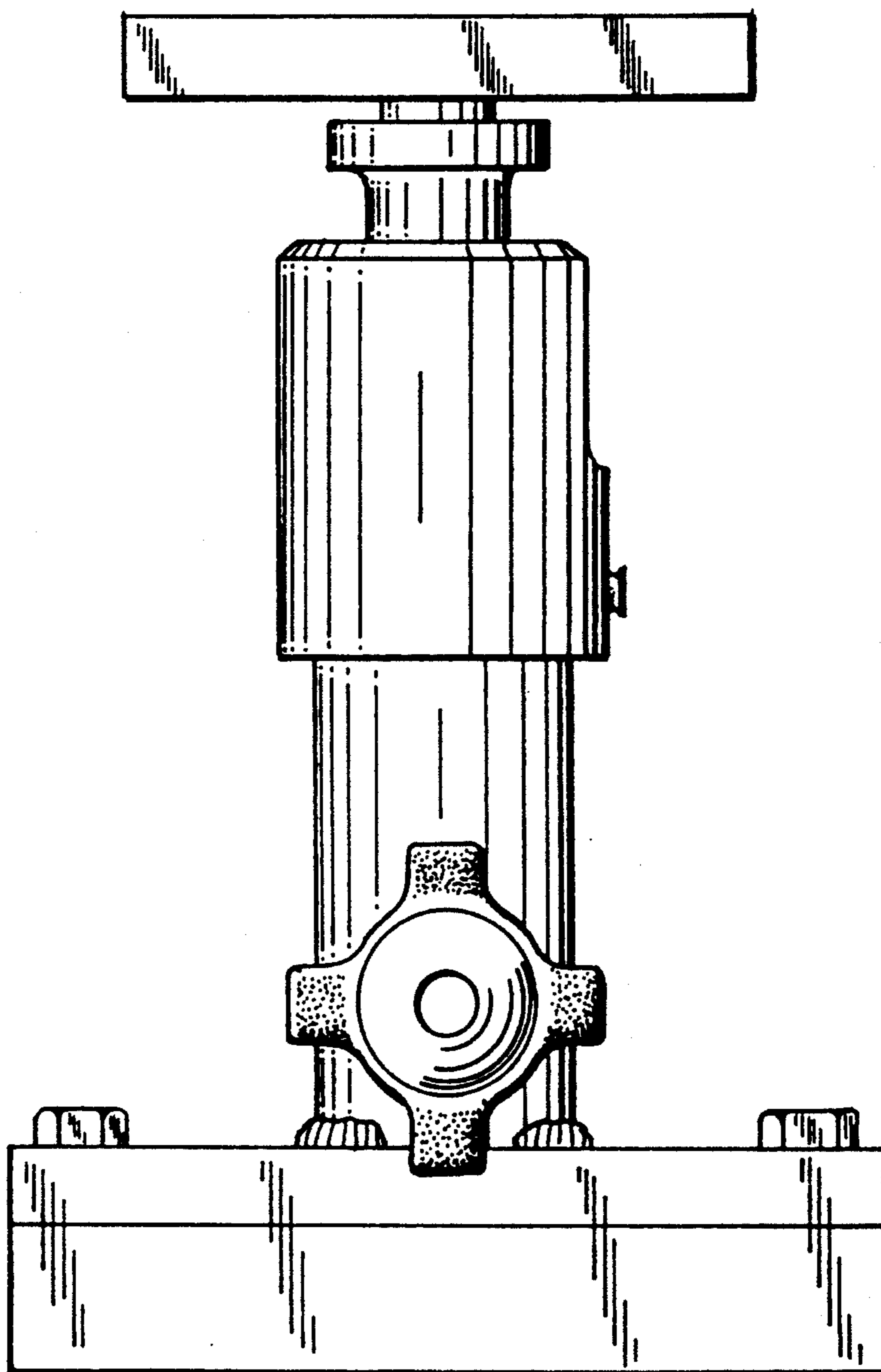


Fig. 2



*Fig. 3*



*Fig. 4*

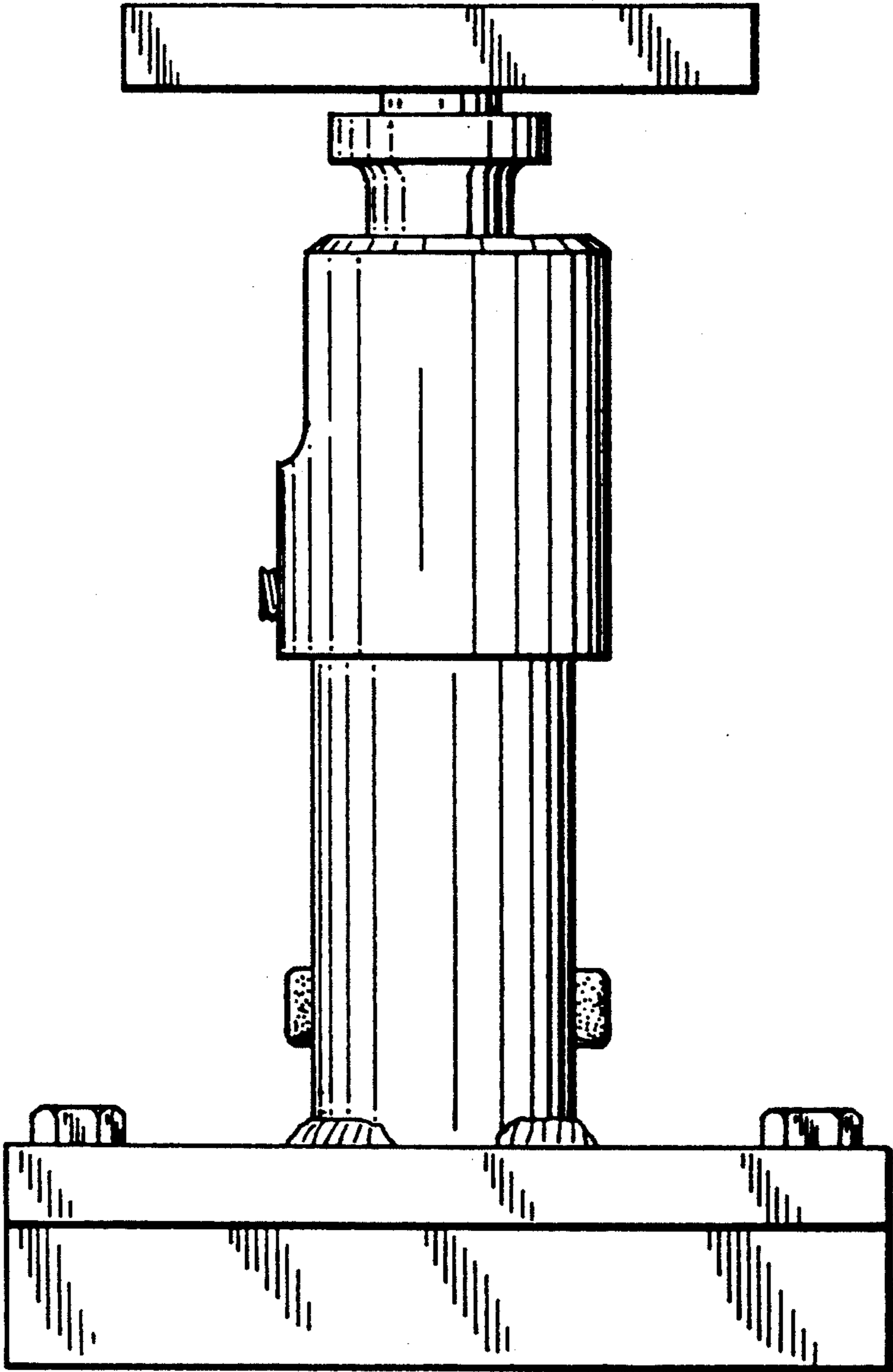
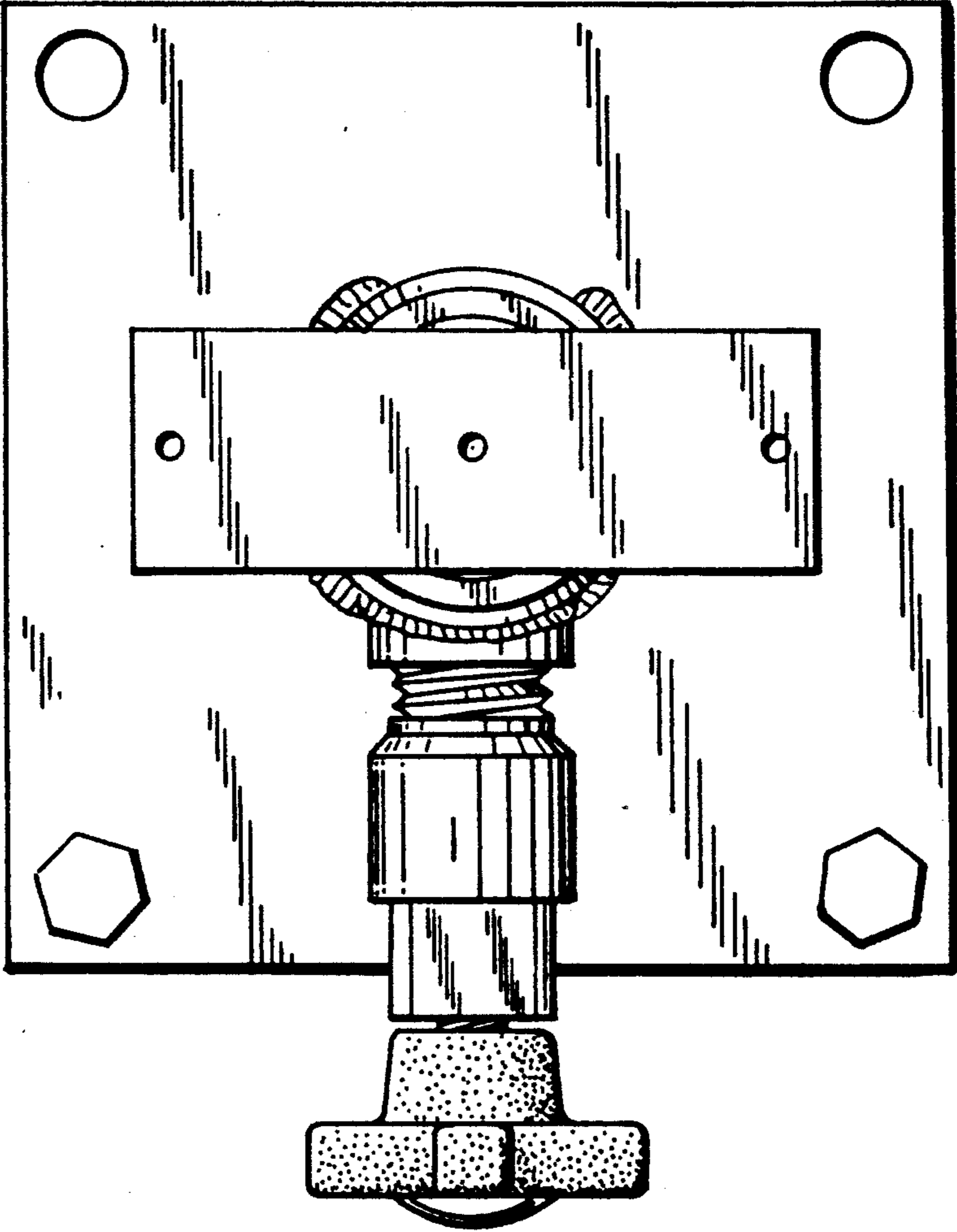
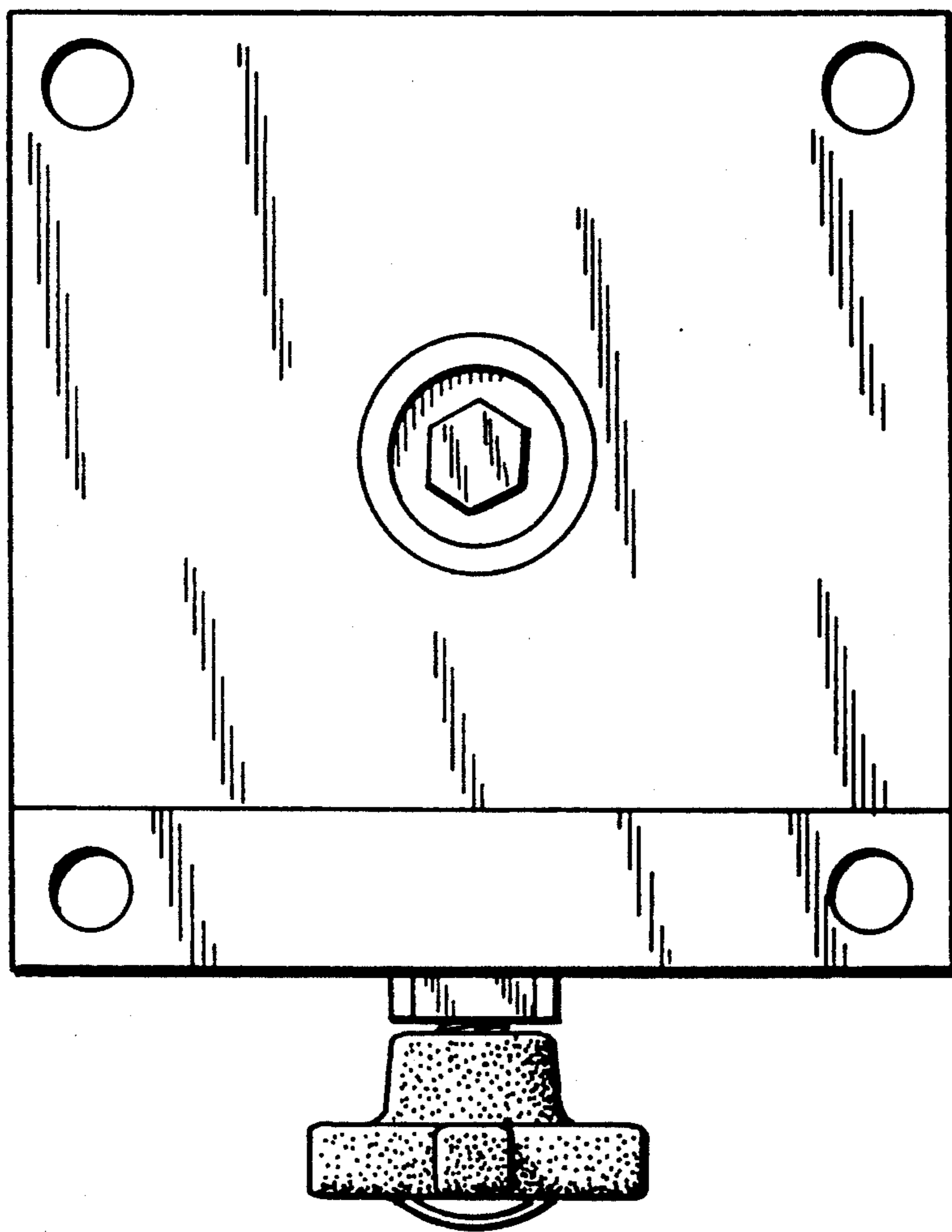


Fig. 5



*Fig. 6*



*Fig. 7*



UNITED STATES PATENT AND TRADEMARK OFFICE  
**CERTIFICATE OF CORRECTION**

PATENT NO. : D336,095  
DATED : June 1, 1993  
INVENTOR(S) : BERTYL W. CARLSON

It is certified that error appears in the above-identified patent and that said Letters Patent is hereby corrected as shown below:

On the Title Page of the Patent, in the [56] References Cited Section, please insert the following:

OTHER PUBLICATIONS

Wilton Corporation Catalog, cover page and page 56 (date unknown)

Signed and Sealed this  
Twenty-ninth Day of March, 1994

Attest:



BRUCE LEHMAN

Attesting Officer

Commissioner of Patents and Trademarks