



US00D336091S

# United States Patent [19]

[11] Patent Number: **Des. 336,091**

**Kovalak et al.**

[45] Date of Patent: **\*\* Jun. 1, 1993**

[54] MATERIAL TRANSPORT BUCKET

4,890,722 1/1990 Gough ..... 198/706

[75] Inventors: **Robert J. Kovalak**, Homer City;  
**Harold E. Patterson**, Indiana; **Paul I. Sleppy**, Penn Run, all of Ind.

### FOREIGN PATENT DOCUMENTS

1194802 11/1985 U.S.S.R. .... 414/685

[73] Assignee: **FMC Corporation**, Chicago, Ill.

*Primary Examiner*—Bernard Ansher  
*Assistant Examiner*—Sandra Morris  
*Attorney, Agent, or Firm*—Douglas W. Rudy; Richard B. Megley

[\*\*] Term: **14 Years**

[21] Appl. No.: **763,397**

### [57] CLAIM

The ornamental design for a material transport bucket, as shown and described.

[22] Filed: **Sep. 13, 1991**

[52] U.S. Cl. .... **D15/32**

[58] Field of Search ..... **D15/10, 22-26, D15/28, 32; 37/103, 117.5, 118 R, 119, 183 R; 198/701, 703, 706; 414/685**

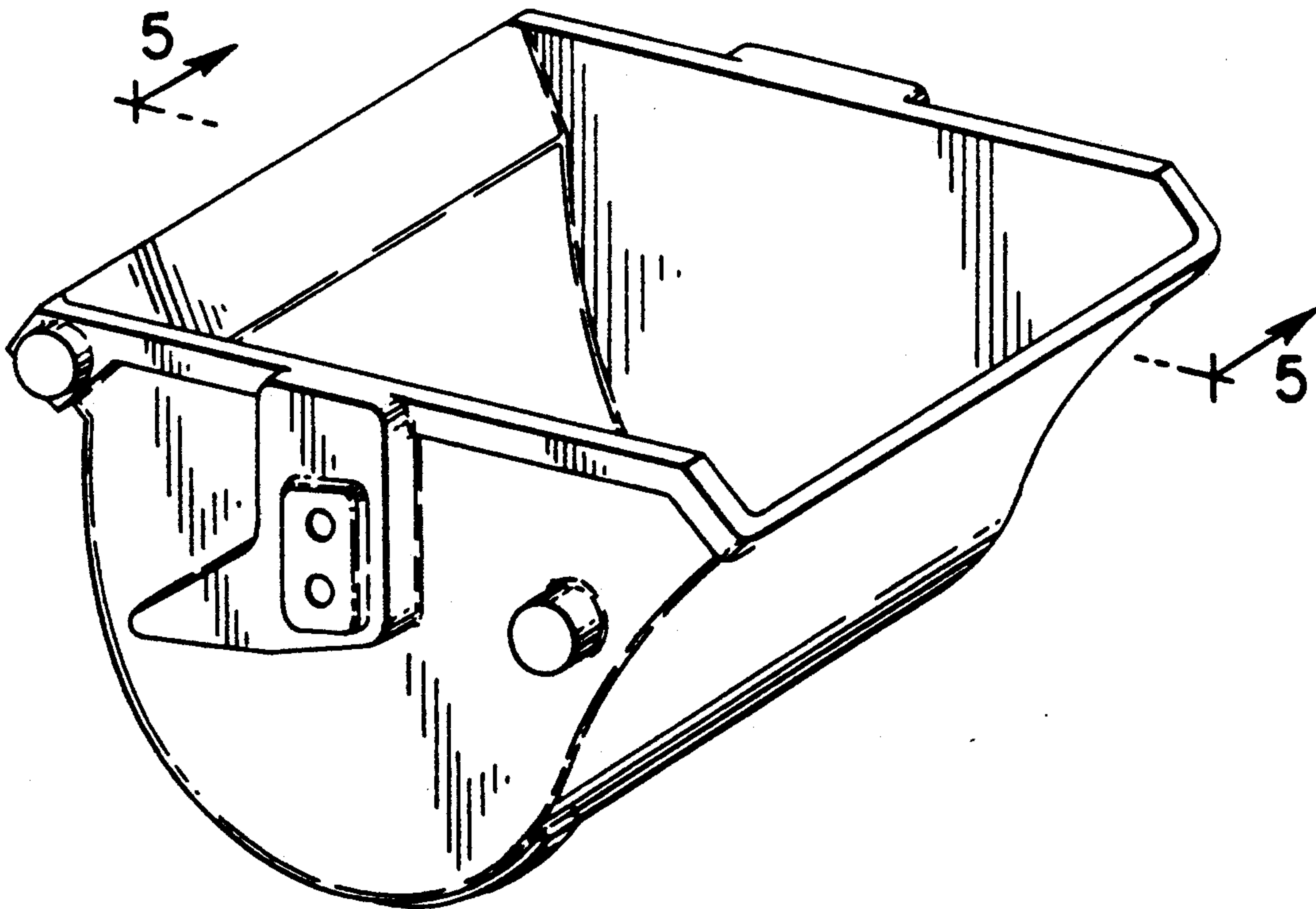
### DESCRIPTION

### [56] References Cited

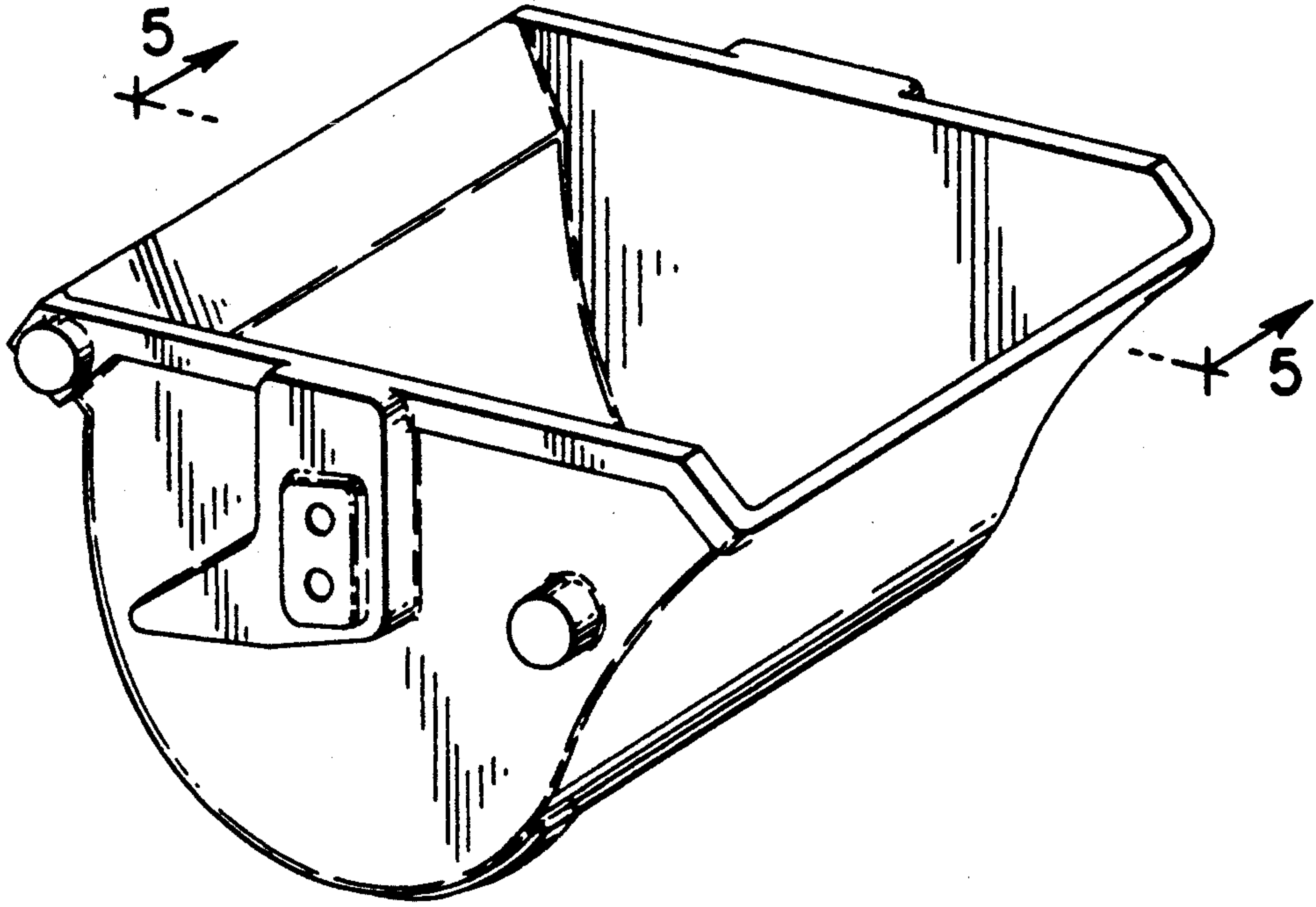
#### U.S. PATENT DOCUMENTS

D. 20,906	6/1891	Stuebner	.....	D15/32
D. 312,261	11/1990	Burke	.....	D15/32
4,000,568	1/1977	Donkers	.....	198/701
4,200,184	4/1980	Tripoteau	.....	198/701
4,355,714	10/1982	Chever	.....	198/701
4,607,745	8/1986	Wiese	.....	198/706

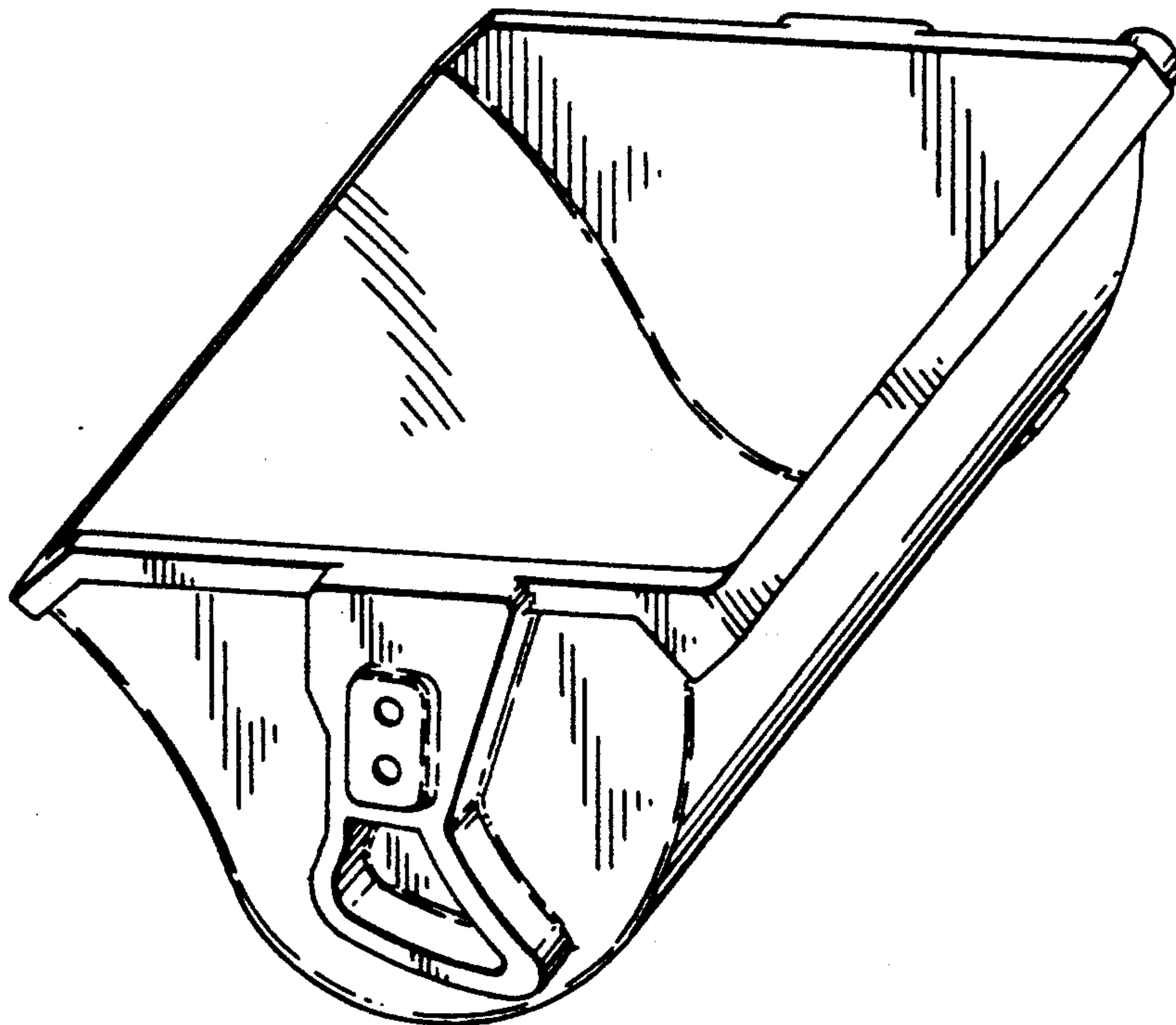
FIG. 1 is a left front upper perspective view of the bucket;  
FIG. 2 is a right front upper perspective view of the bucket;  
FIG. 3 is a left front lower perspective view of the bucket;  
FIG. 4 is a right front lower perspective view of the bucket; and,  
FIG. 5 is a cross-sectional view thereof, taken along line 5—5 of FIG. 1.

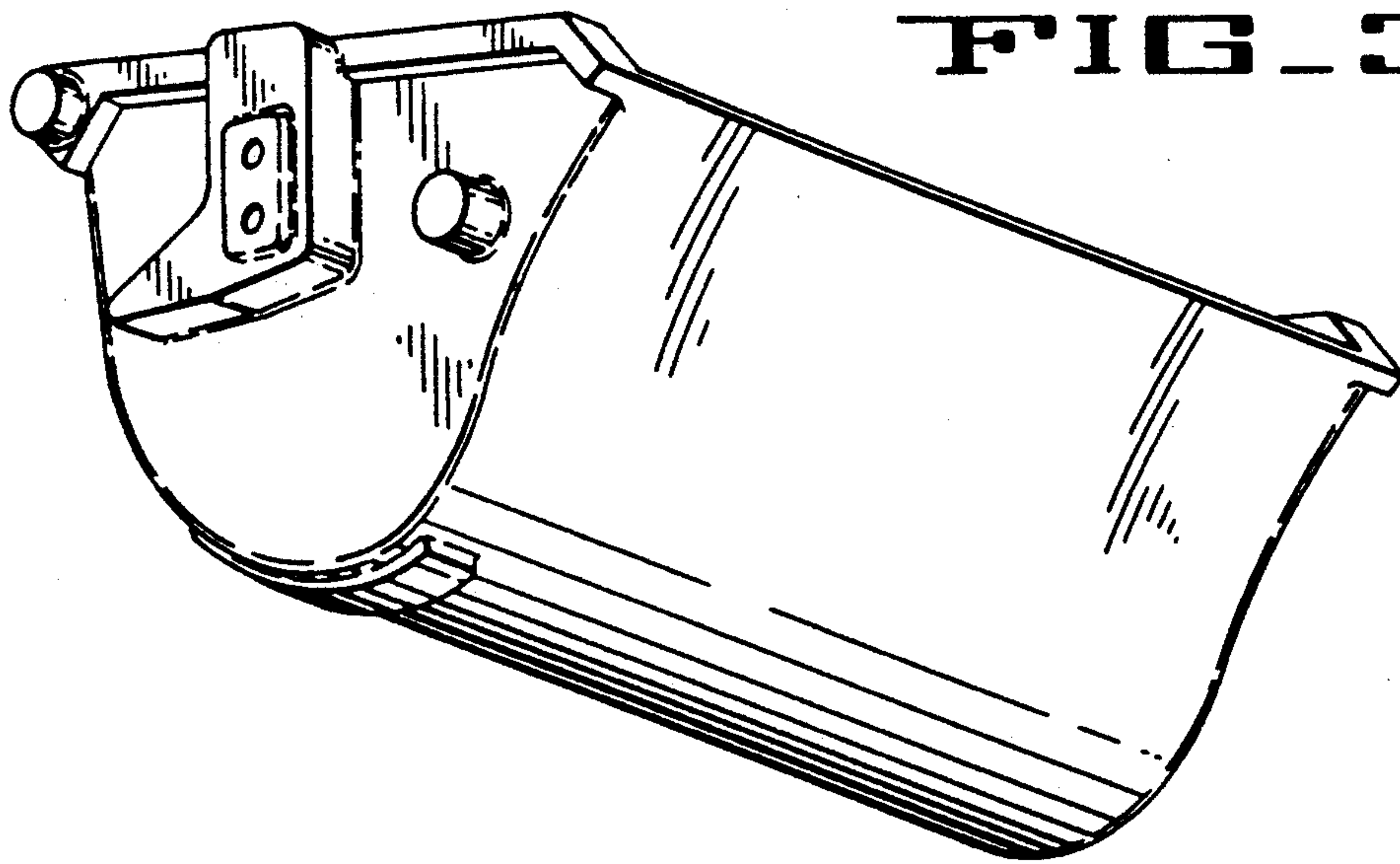


**FIG. 1**

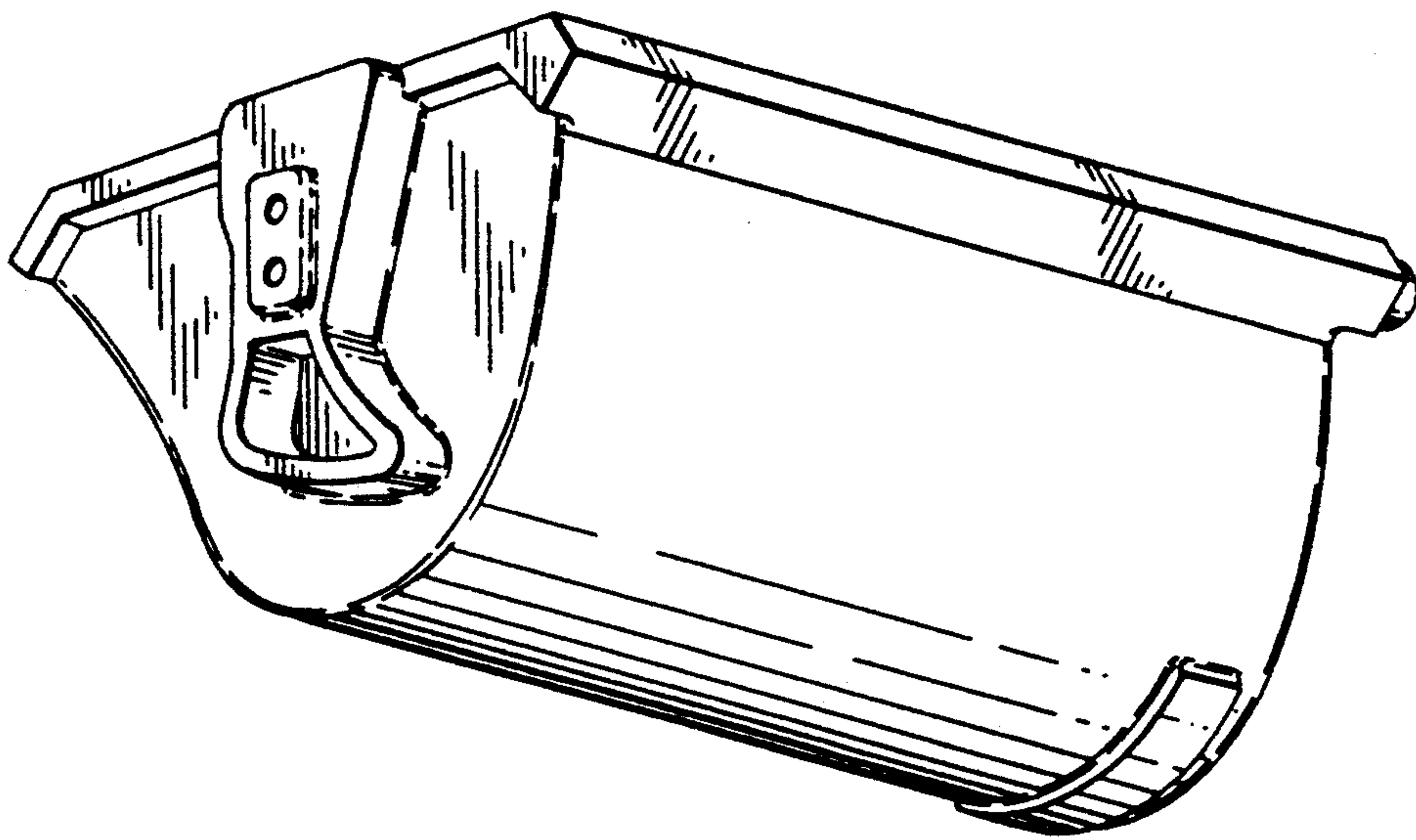


**FIG. 2**

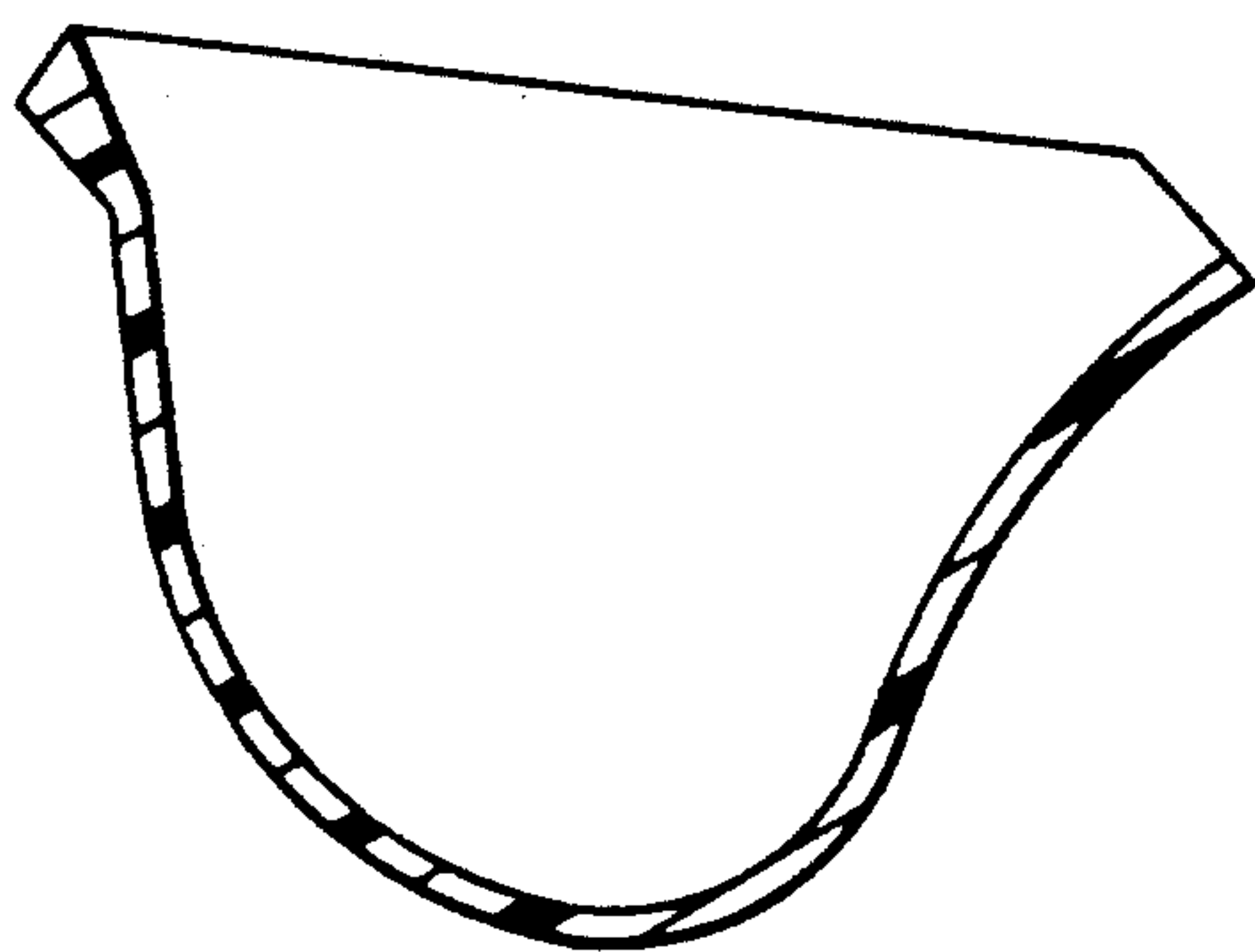




**FIG. 3**



**FIG. 4**



**FIG. 5**