



US00D336080S

United States Patent [19]

[11] Patent Number: **Des. 336,080**

Ogura et al.

[45] Date of Patent: **** Jun. 1, 1993**

[54] **MAGNETIC OPTICAL DISC DRIVE**

[75] Inventors: **Manabu Ogura; Kazuhito Sakota,**
both of Amagasaki; **Yasushi Noda,**
Tokyo; **Masayuki Suzuki,** Tokyo;
Keiji Uehara, Tokyo; **Yoshiki**
Kirinoe, Tokyo, all of Japan

[73] Assignees: **Mitsubishi Electric Corporation; Teac**
Corporation, Tokyo, Japan

[**] Term: **14 Years**

[21] Appl. No.: **772,028**

[22] Filed: **Oct. 7, 1991**

[30] **Foreign Application Priority Data**

Apr. 10, 1991 [JP] Japan 3-10370

[52] U.S. Cl. **D14/109**

[58] Field of Search D14/100, 102, 108, 109;
D13/162, 184, 199; D6/422-428;
312/208.1-208.3; 361/390-395; 360/99.12

[56] **References Cited**

U.S. PATENT DOCUMENTS

D. 276,524 11/1984 Shibata D14/109
D. 304,332 10/1989 Hara D14/109

D. 306,578 3/1990 Ishikawa et al. D14/109
D. 306,579 3/1990 Hara et al. D14/109
D. 308,361 6/1990 Nakamura et al. D14/109
D. 319,225 8/1991 Kline et al. D14/109

OTHER PUBLICATIONS

Information Storage Inc.-Kanto Denshi Corp. (Oct.
1986) Optical Disk Drive Unit.
Toshiba-Oct. 1986-CD ROM Disk Drive XM-3000.

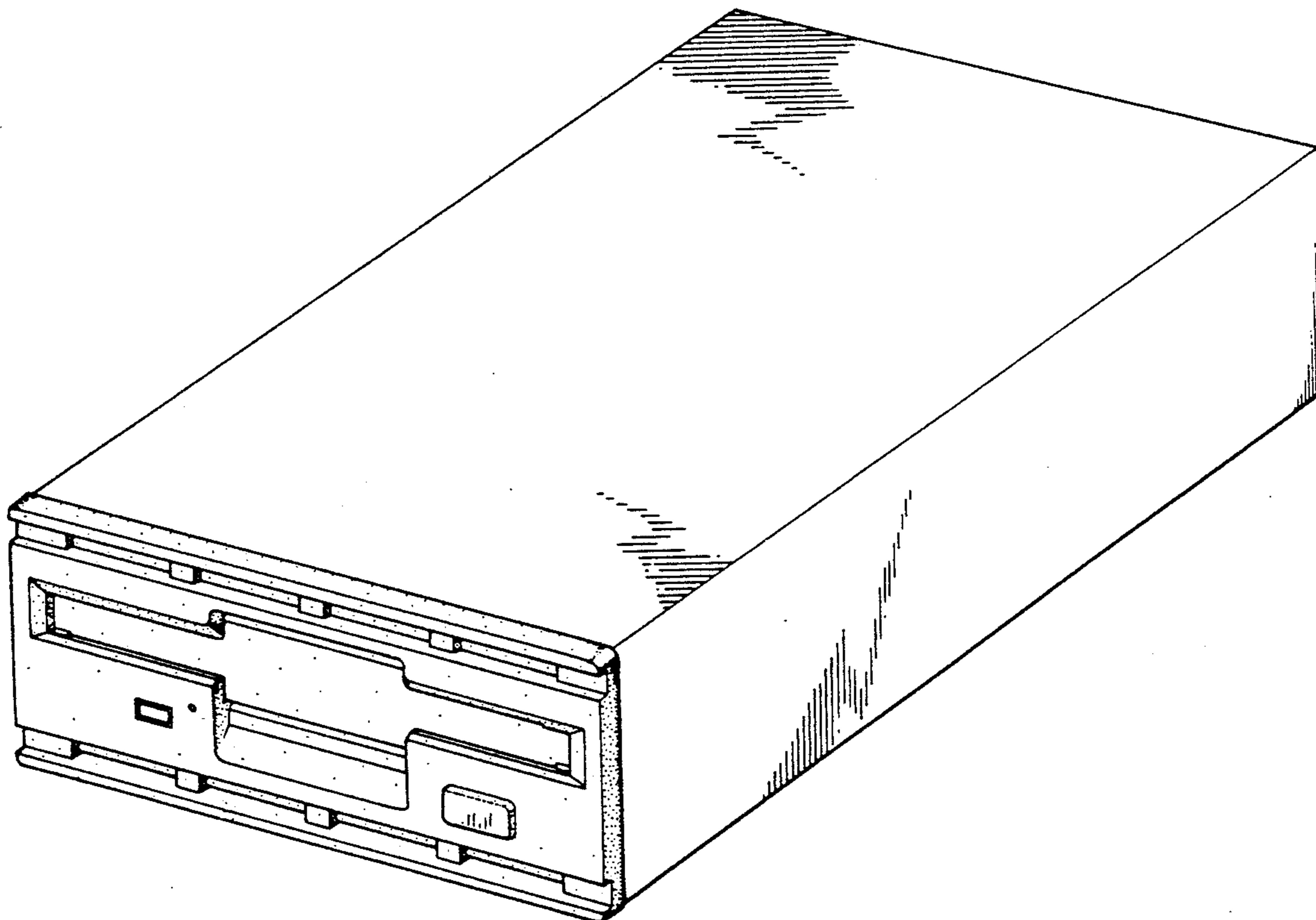
Primary Examiner—Wallace R. Burke
Assistant Examiner—Freda S. Nunn
Attorney, Agent, or Firm—Kanesaka and Takeuchi

[57] CLAIM

The ornamental design for a magnetic optical disc drive, as shown and described.

DESCRIPTION

FIG. 1 is a perspective view of a magnetic optical disc drive showing my new design;
FIG. 2 is a front view thereof;
FIG. 3 is a rear view thereof;
FIG. 4 is a right side view thereof the left side view being a mirror image;
FIG. 5 is a top view thereof; and,
FIG. 6 is a cross sectional view thereof taken along line VI-VI of FIG. 2.



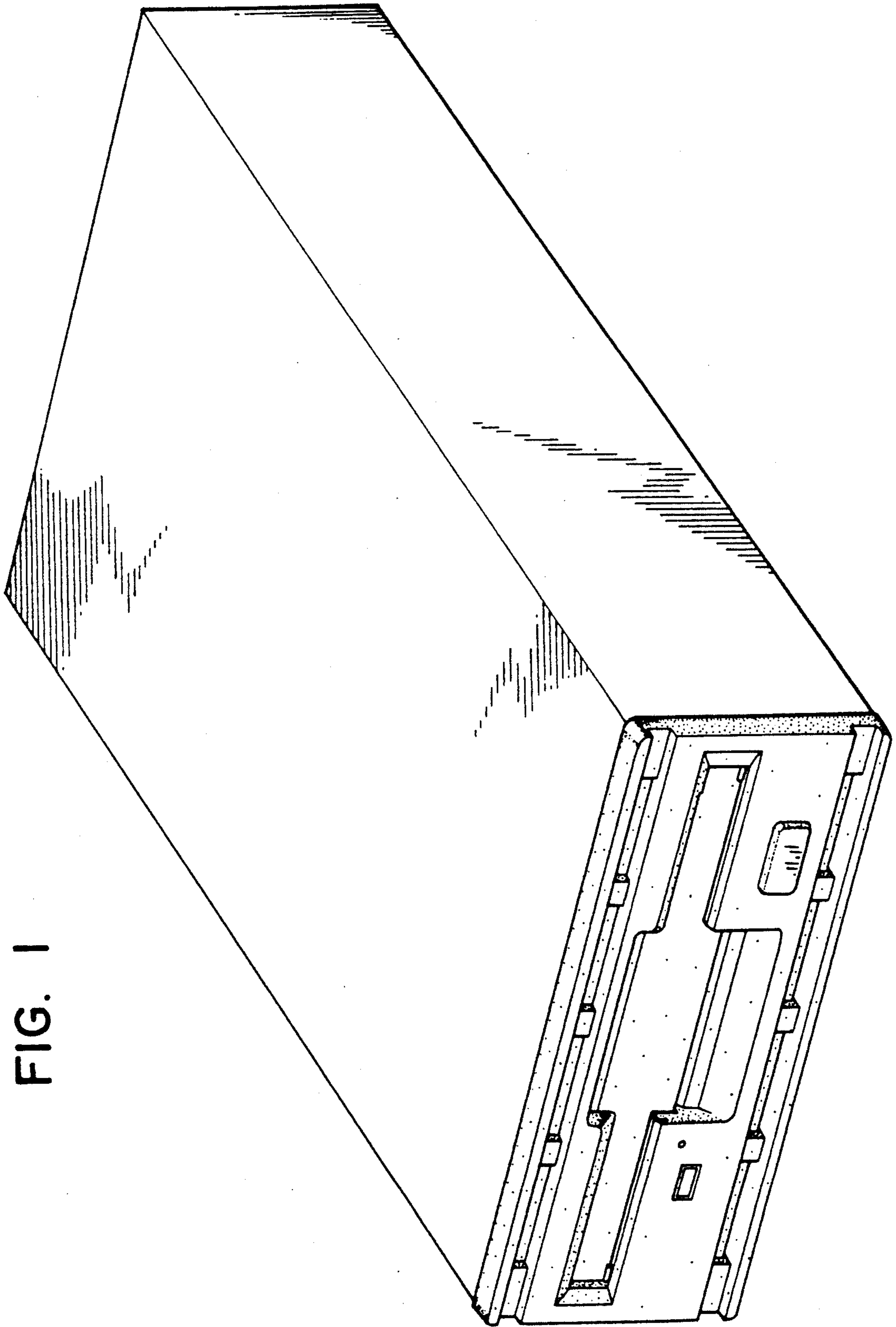


FIG. 1

FIG. 2

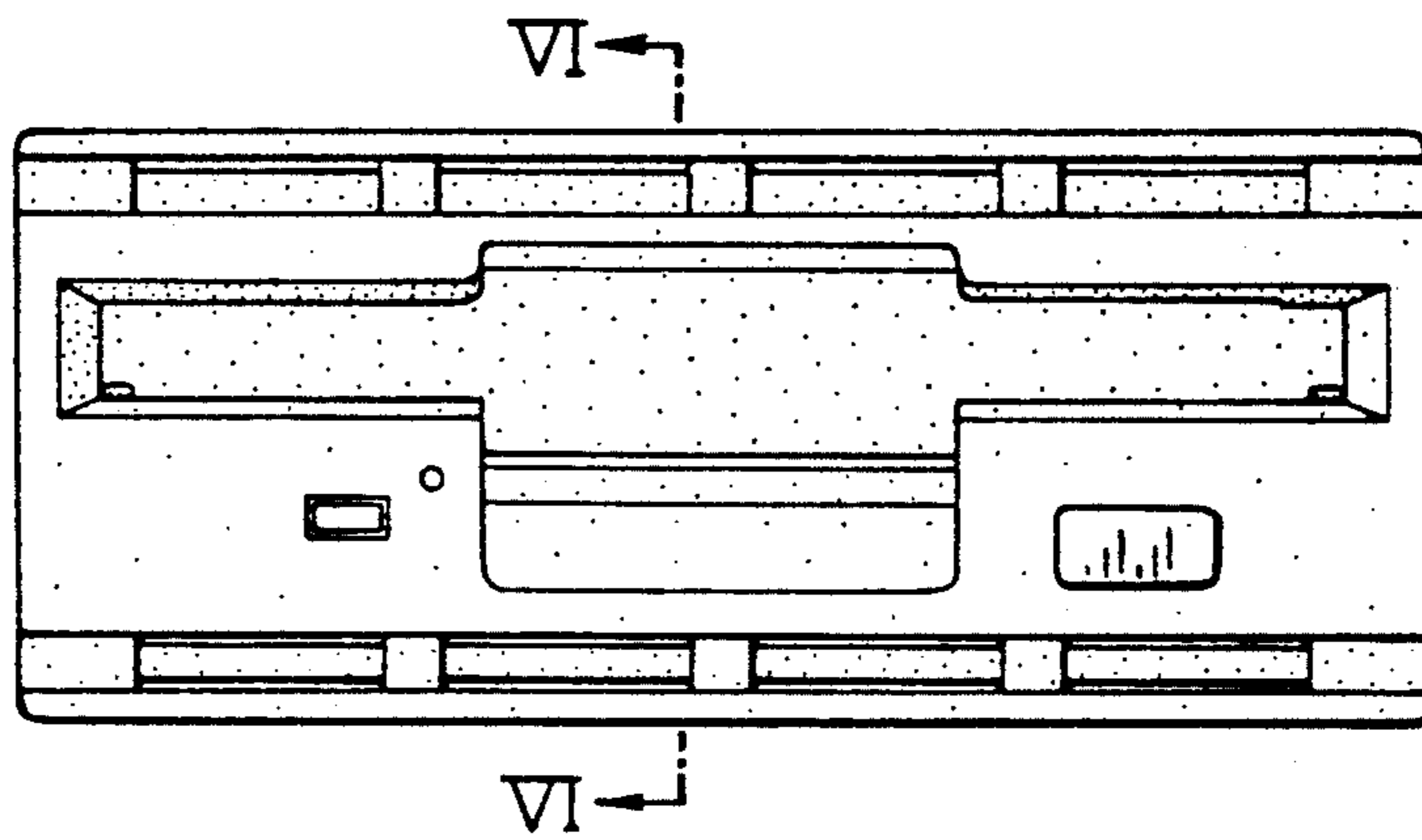


FIG. 3

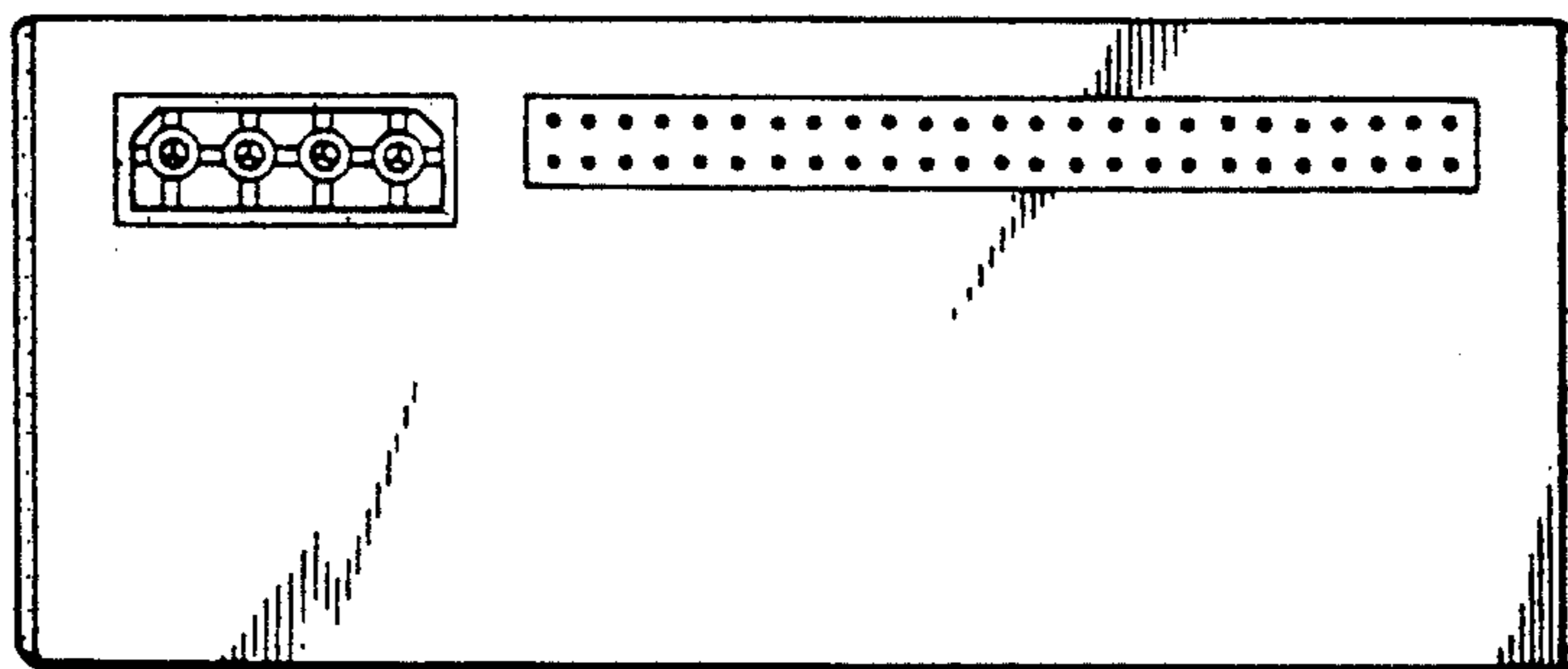


FIG. 4

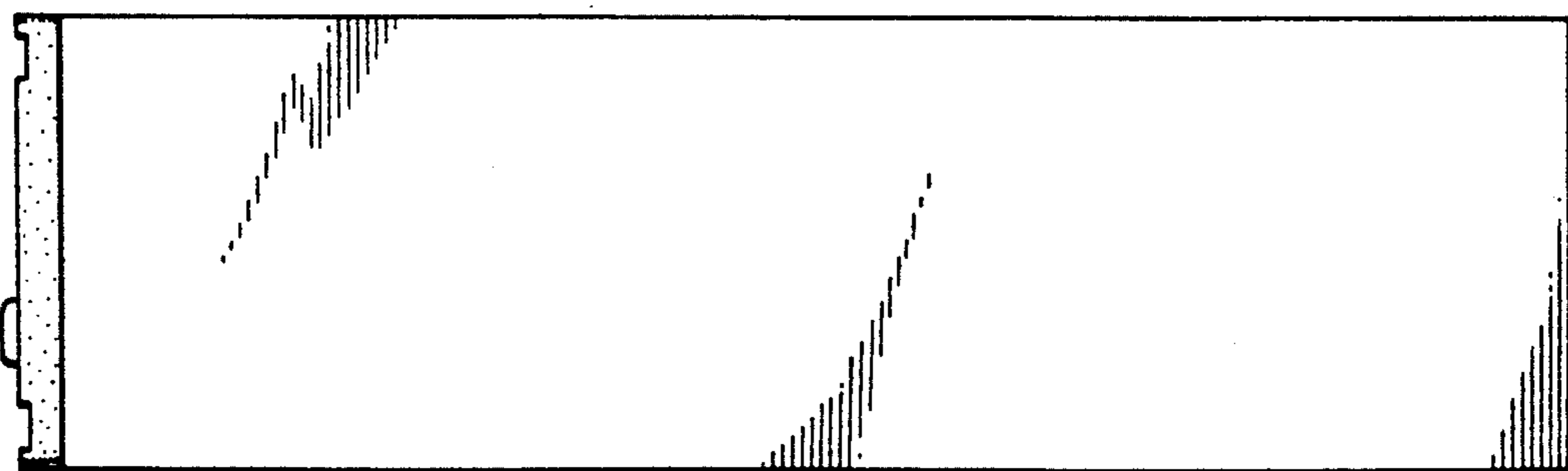


FIG. 5

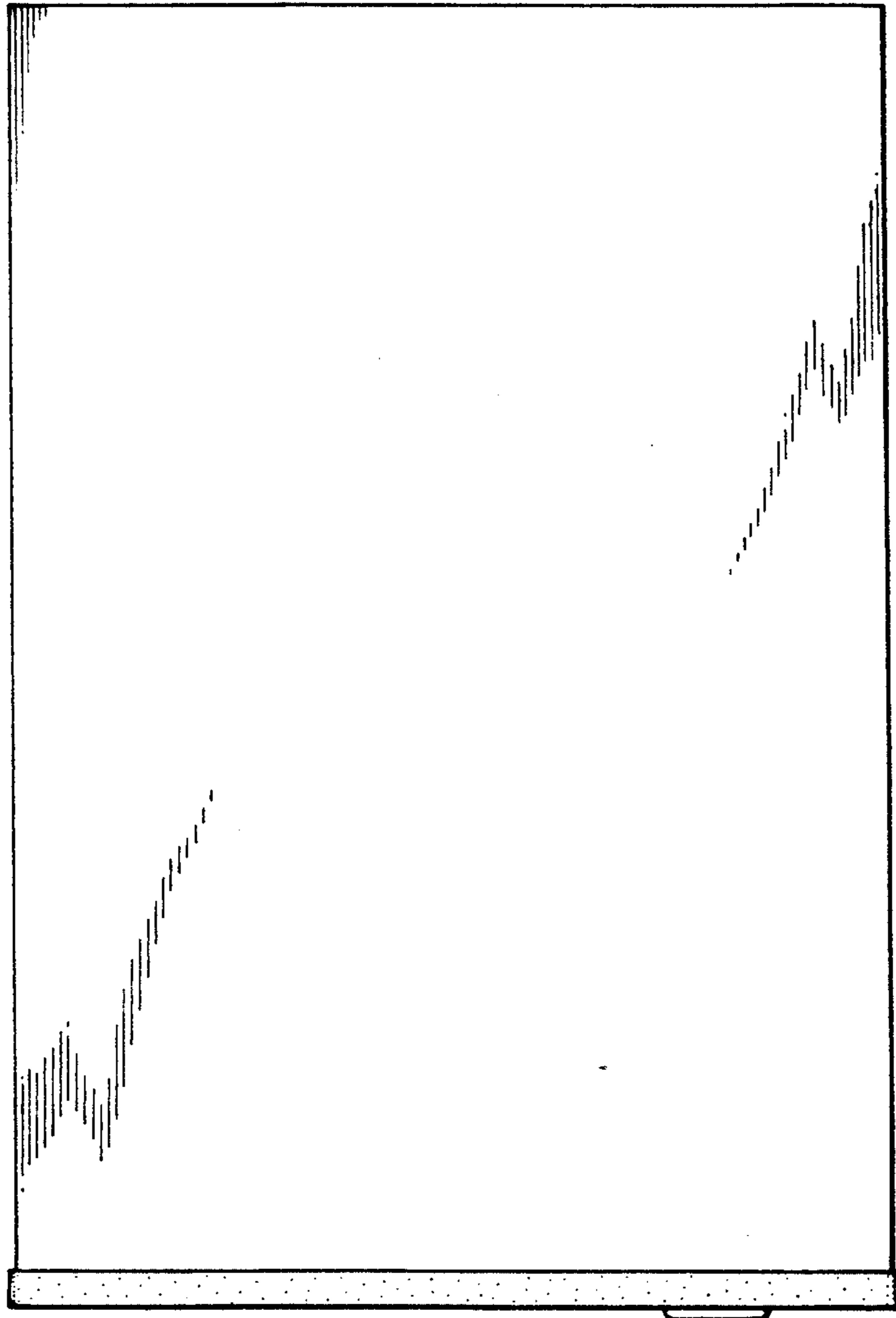


FIG. 6

