



US00D336075S

United States Patent [19]

[11] Patent Number: **Des. 336,075**

Wakefield et al.

[45] Date of Patent: **** Jun. 1, 1993**

[54] **PORTABLE COMPUTER**

[56]

References Cited

U.S. PATENT DOCUMENTS

[75] Inventors: **Scott H. Wakefield**, Andover; **John E. Thraikill**, Lowell; **Tom J. Spalding**, Gloucester; **Keith E. Kowal**, Marblehead; **James H. Bleck**, Chelmsford, all of Mass.

D. 301,137	5/1989	Trepton et al.	D14/107
D. 304,823	11/1989	Pfeifer et al.	D14/100
D. 311,911	11/1990	Ueno et al.	D14/107
D. 320,007	9/1991	Leverault et al.	D14/100
D. 321,343	11/1991	Feer et al.	D14/107
D. 328,736	8/1992	Hodge	D14/109

[73] Assignee: **Ergo Computing, Inc.**, Peabody, Mass.

Primary Examiner—Wallace R. Burke
Assistant Examiner—Freda S. Nunn
Attorney, Agent, or Firm—Hamilton, Brook, Smith & Reynolds

[**] Term: **14 Years**

[57]

CLAIM

The ornamental design for a portable computer, as shown and described.

[21] Appl. No.: **712,608**

DESCRIPTION

[22] Filed: **Jun. 7, 1991**

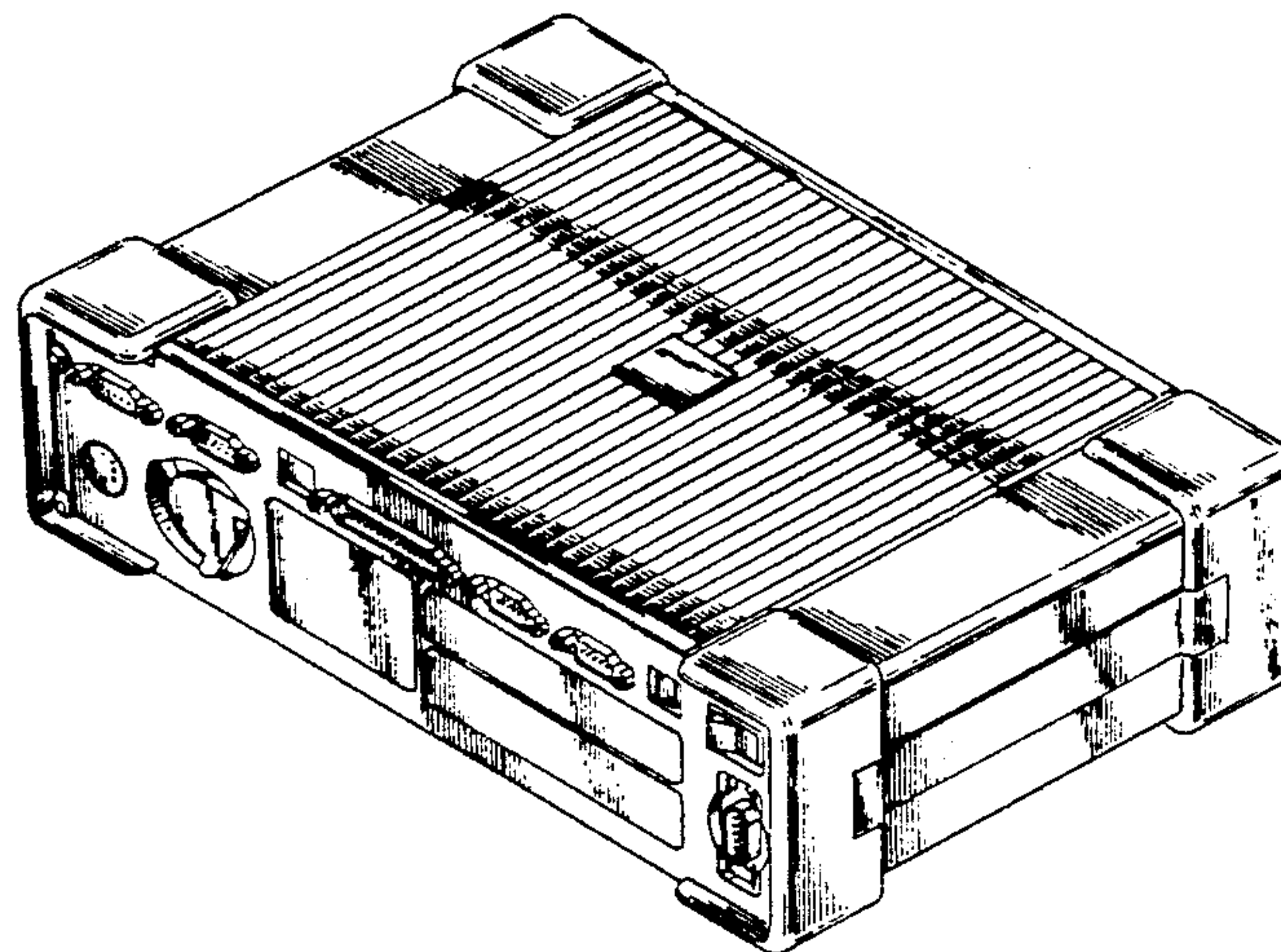
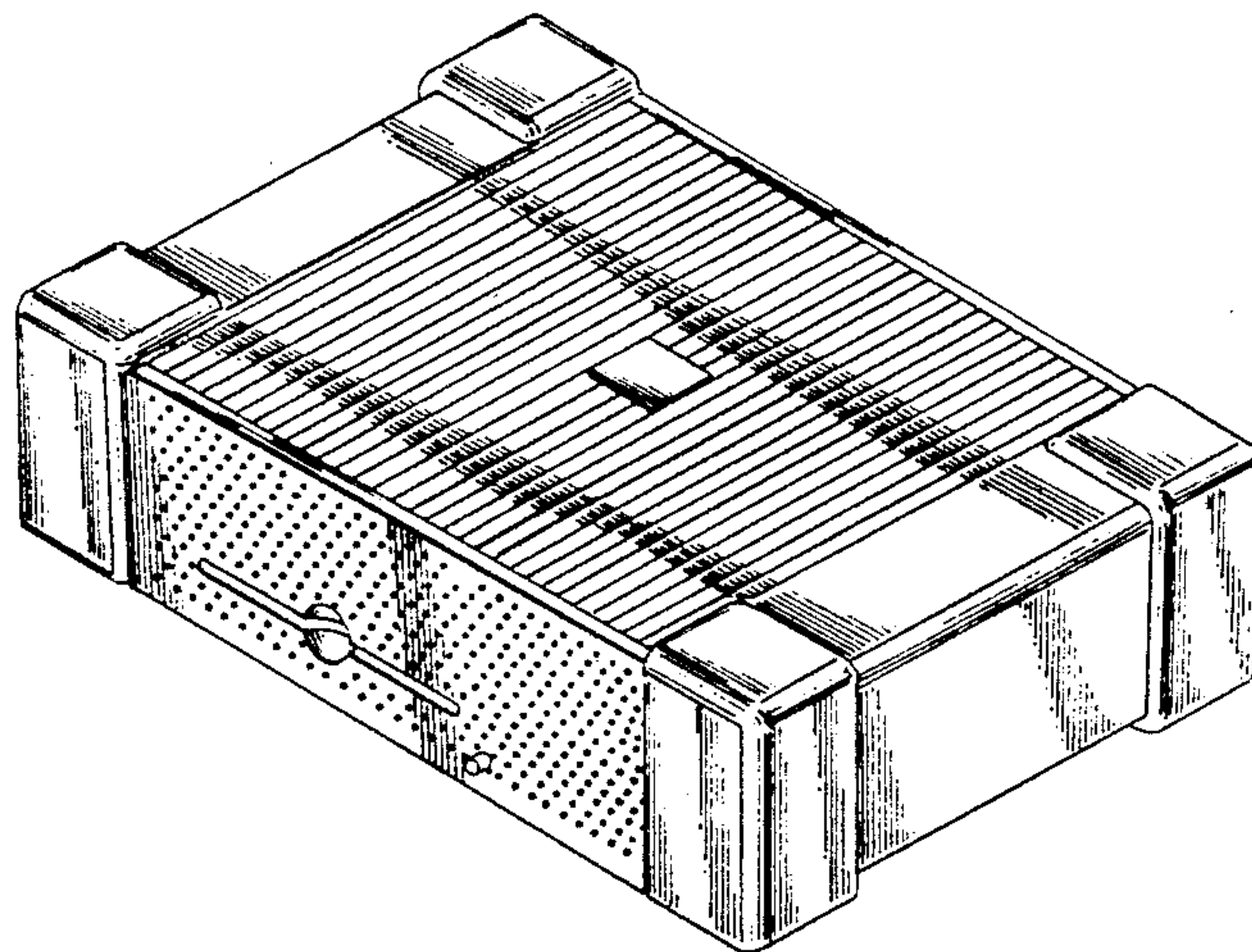
[52] U.S. Cl. **D14/100**

[58] Field of Search D14/100, 102, 107, 106, D14/109; D13/162, 184, 199; 340/700, 706; 364/708, 709.04; 361/390, 394

FIG. 1 is a perspective view of the top, front and end of the portable computer;

FIG. 2 is a perspective view of the top, rear and opposite end of the portable computer; and,

FIG. 3 is a perspective view of the bottom, front and first end of the portable computer.



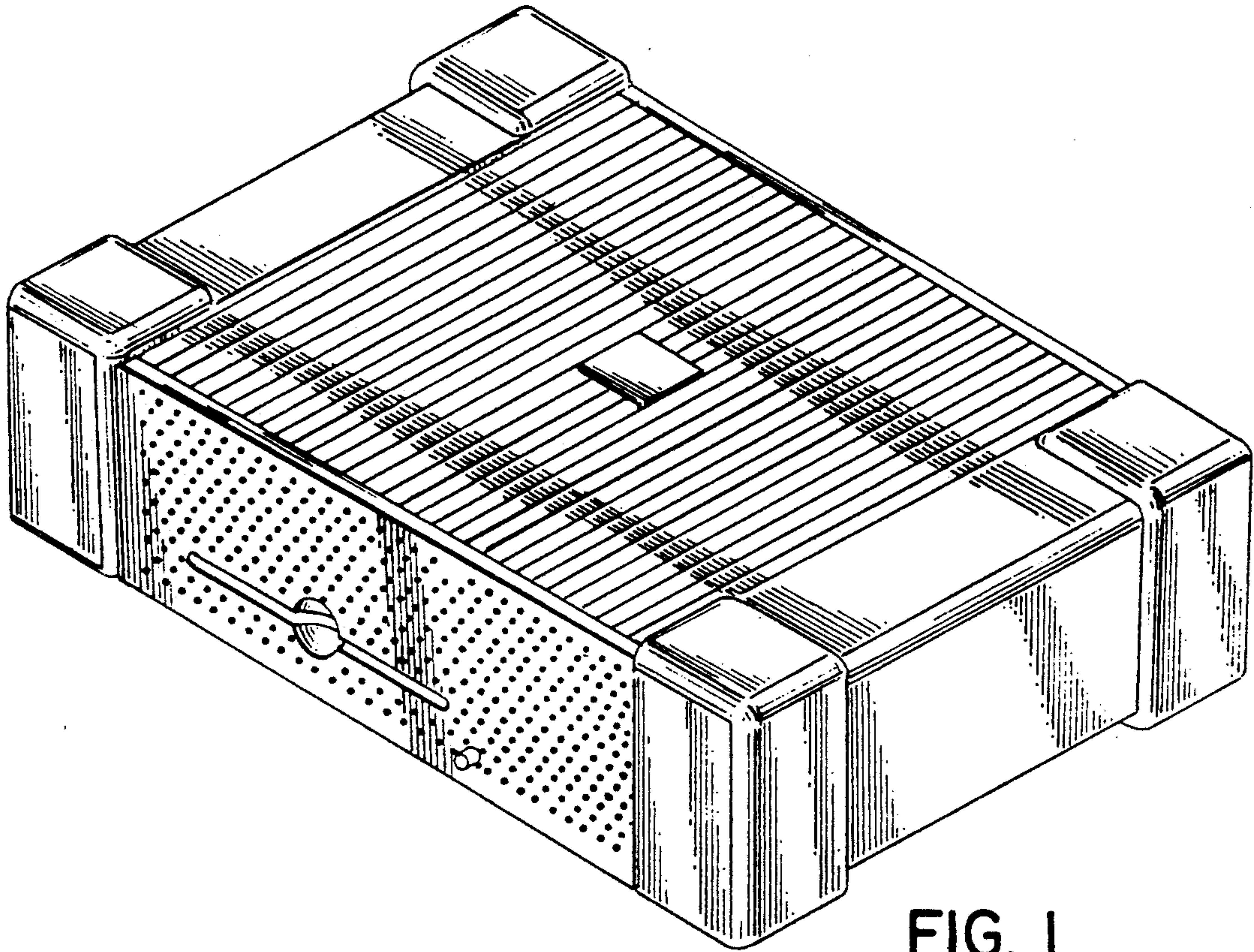


FIG. 1

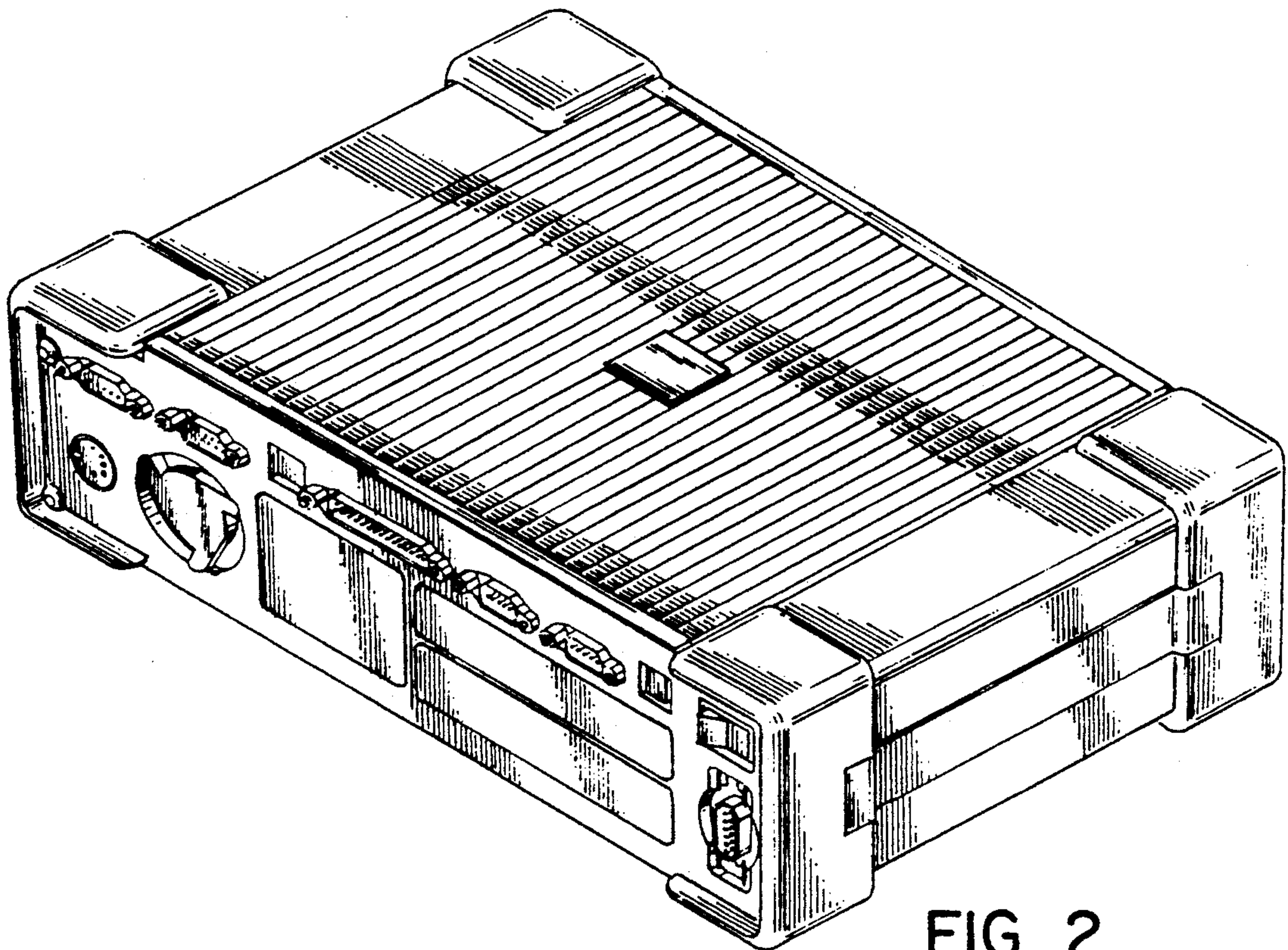


FIG. 2

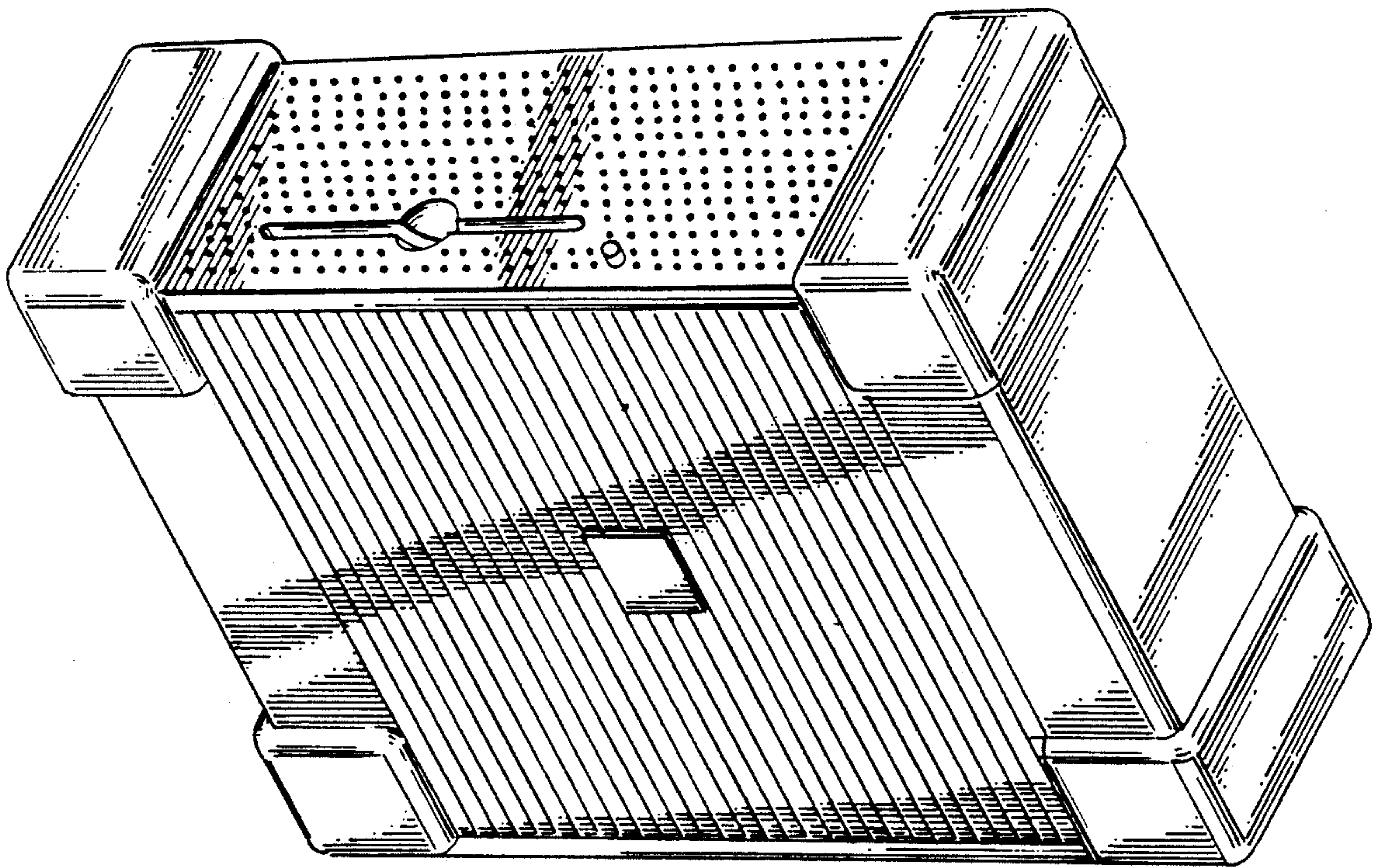


FIG. 3