



US00D336074S

# United States Patent [19]

[11] Patent Number: **Des. 336,074**

Friend et al.

[45] Date of Patent: **\*\* Jun. 1, 1993**

[54] **HOUSING FOR CABLE TELEVISION EQUIPMENT**

4,419,537 12/1983 Leep et al. .... 174/65 R

[75] Inventors: **Neil V. Friend; Scot M. Milne**, both of Manlius, N.Y.

*Primary Examiner*—Susan J. Lucas  
*Assistant Examiner*—M. H. Tung  
*Attorney, Agent, or Firm*—Jack E. Haken

[73] Assignee: **North American Philips Corporation**, New York, N.Y.

[57] **CLAIM**

The ornamental design for a housing for cable television equipment, as shown and described herein.

[\*\*] Term: **14 Years**

[21] Appl. No.: **328,341**

**DESCRIPTION**

[22] Filed: **Mar. 23, 1989**

[52] U.S. Cl. .... **D13/184**

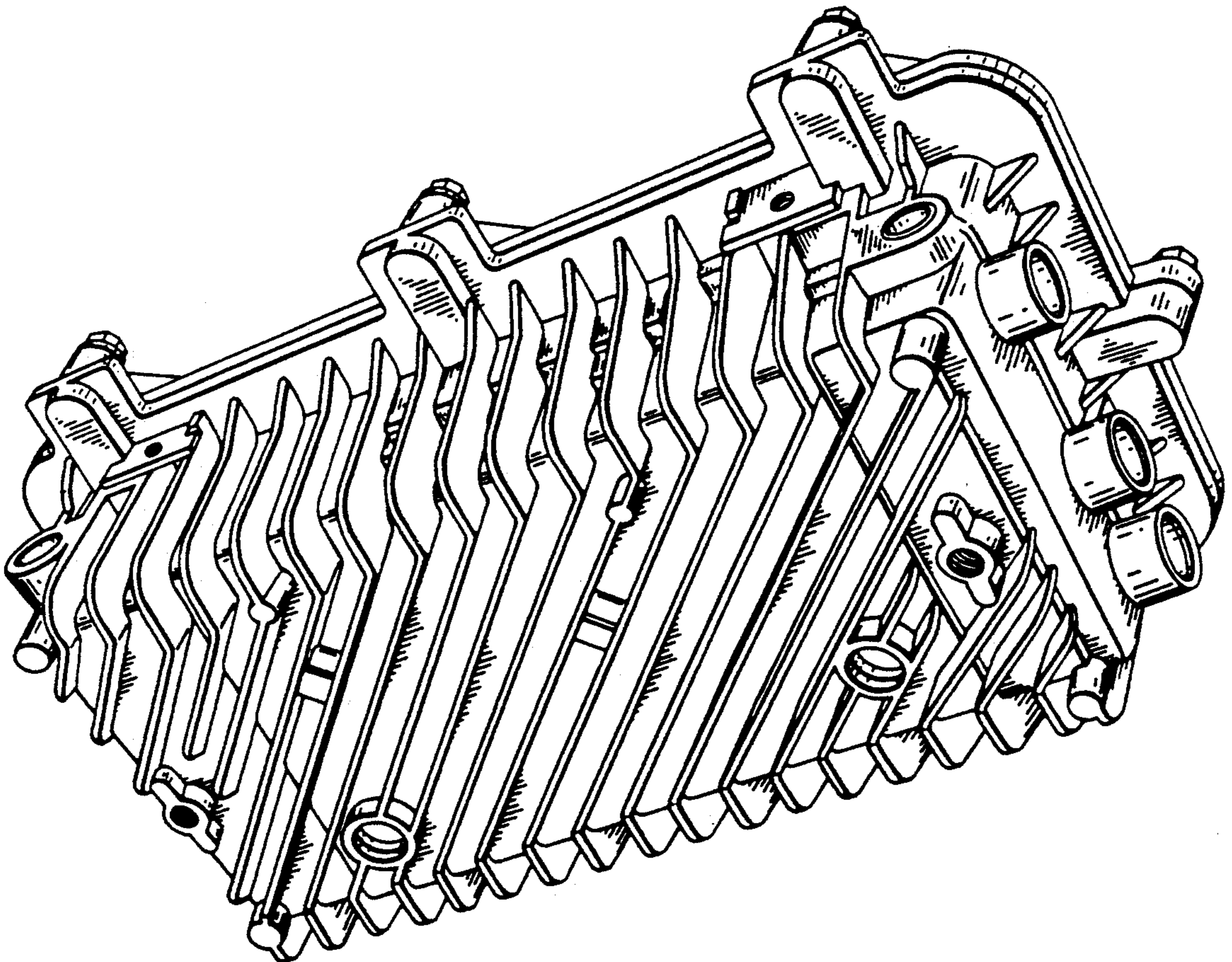
[58] Field of Search ..... **D13/184, 160, 152; 174/50, 50.51, 66, 65 R, 58-60; 361/379, 383, 380-382, 384-385, 390-395; D14/239, 125**

FIG. 1 is a top plan view of a housing for cable television equipment showing our new design; FIG. 2 is a front elevational view thereof; FIG. 3 is a left end elevational view thereof; FIG. 4 is a right end elevational view thereof; FIG. 5 is a rear elevational view thereof; FIG. 6 is a front, right, bottom perspective view thereof; FIG. 7 is a top plan view of a second embodiment thereof; FIG. 8 is a front elevational view thereof; FIG. 9 is a left end elevational view thereof; FIG. 10 is a right end elevational view thereof; FIG. 11 is a rear elevational view thereof; and, FIG. 12 is a bottom plan view thereof.

[56] **References Cited**

**U.S. PATENT DOCUMENTS**

D. 238,581	1/1976	Lehmann	.....	D13/184
D. 252,568	8/1979	Comstock	.....	D13/184
D. 265,986	8/1982	Wearsch et al.	.....	D13/152 X
D. 266,662	10/1982	Brownell et al.	.....	D13/152
D. 312,244	11/1990	Collins et al.	.....	D13/152
D. 317,908	7/1991	Channell	.....	D13/184
4,403,106	9/1983	Lask et al.	.....	174/59





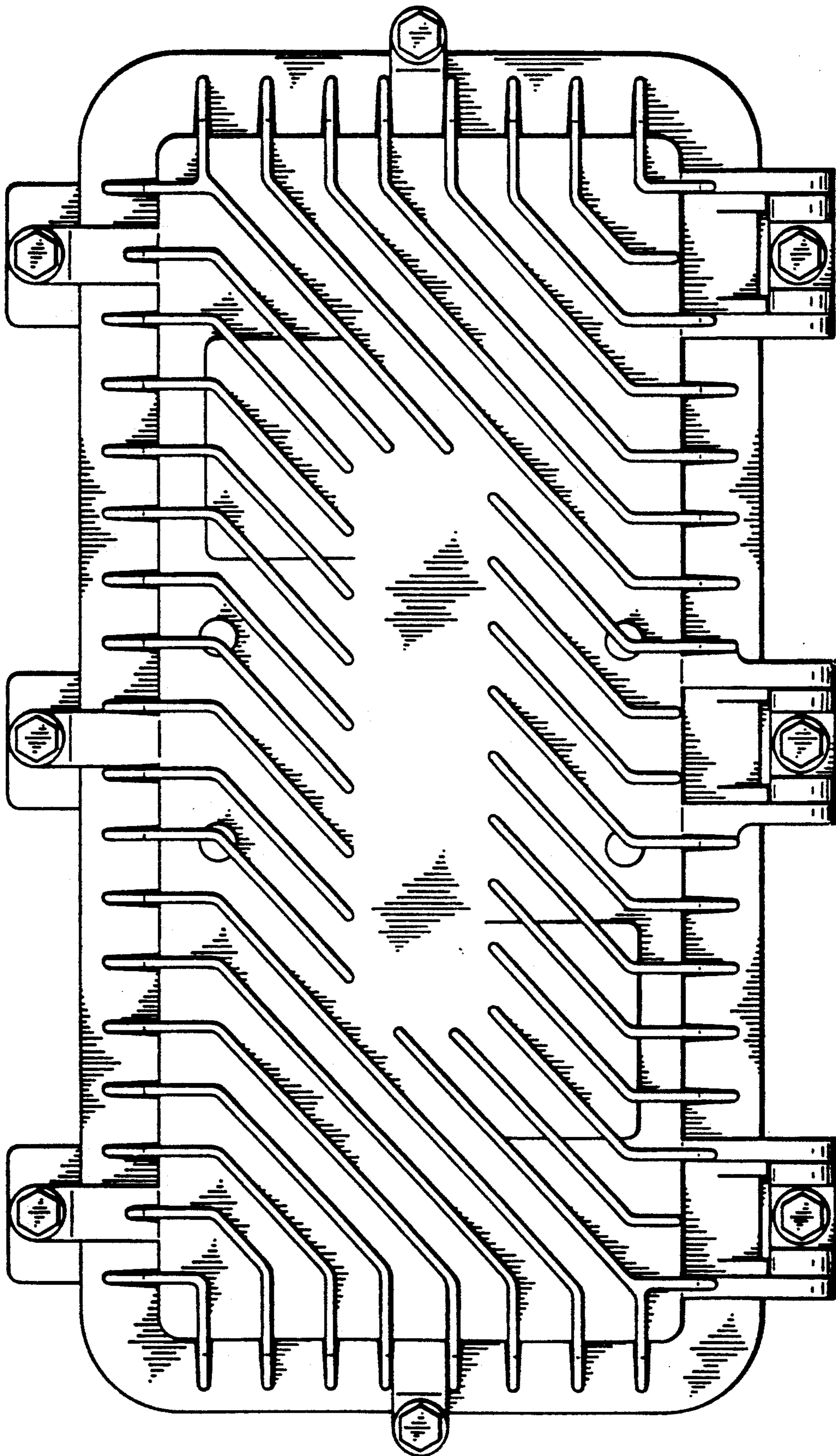
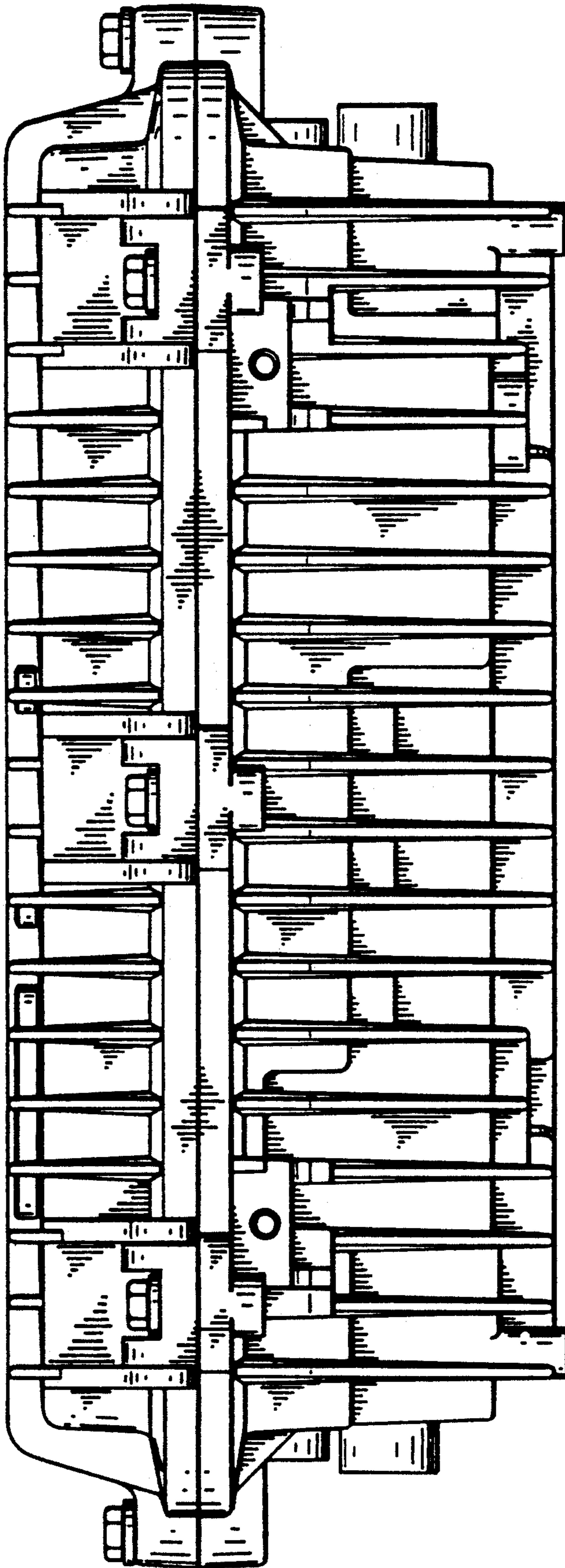
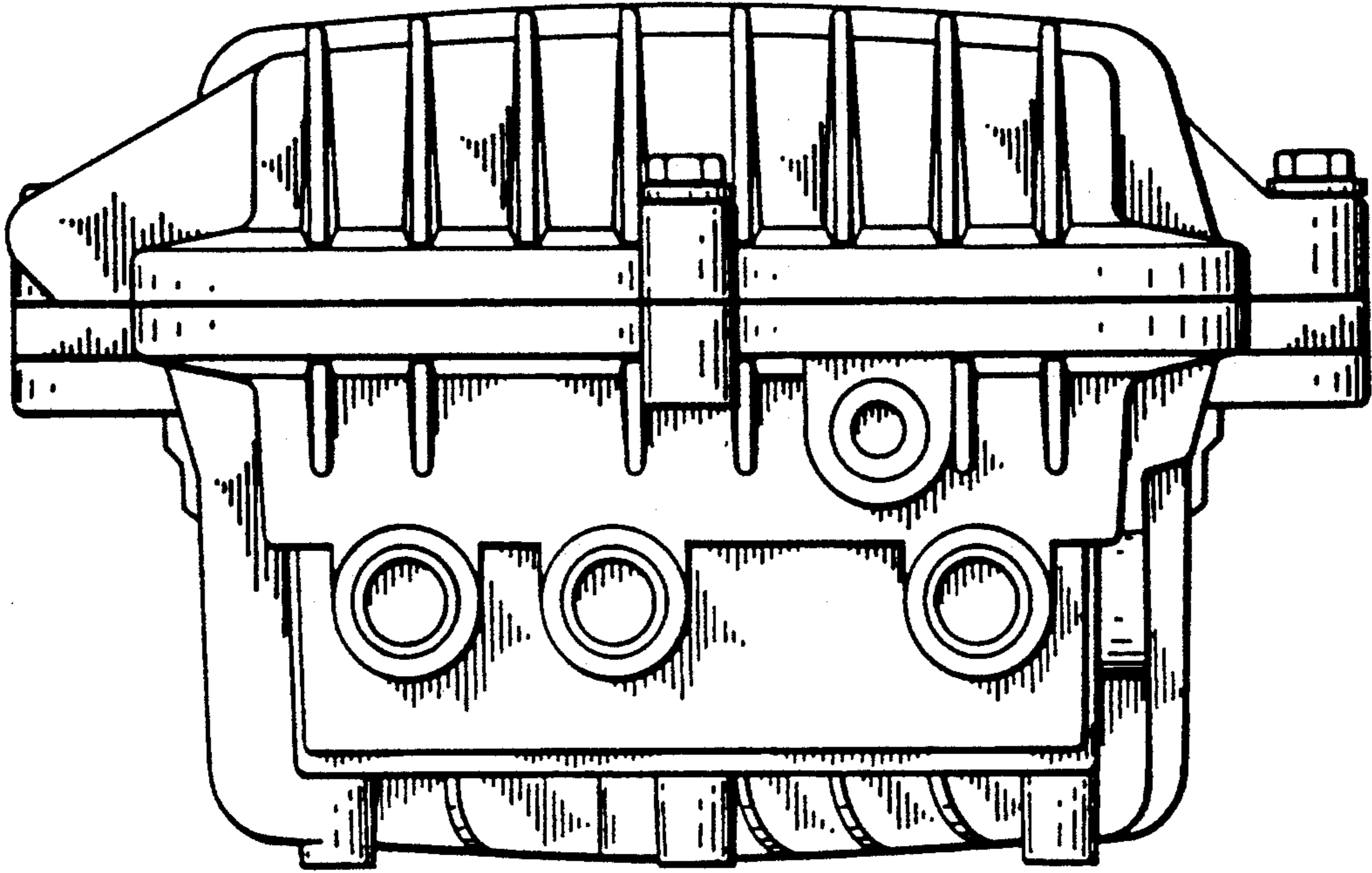


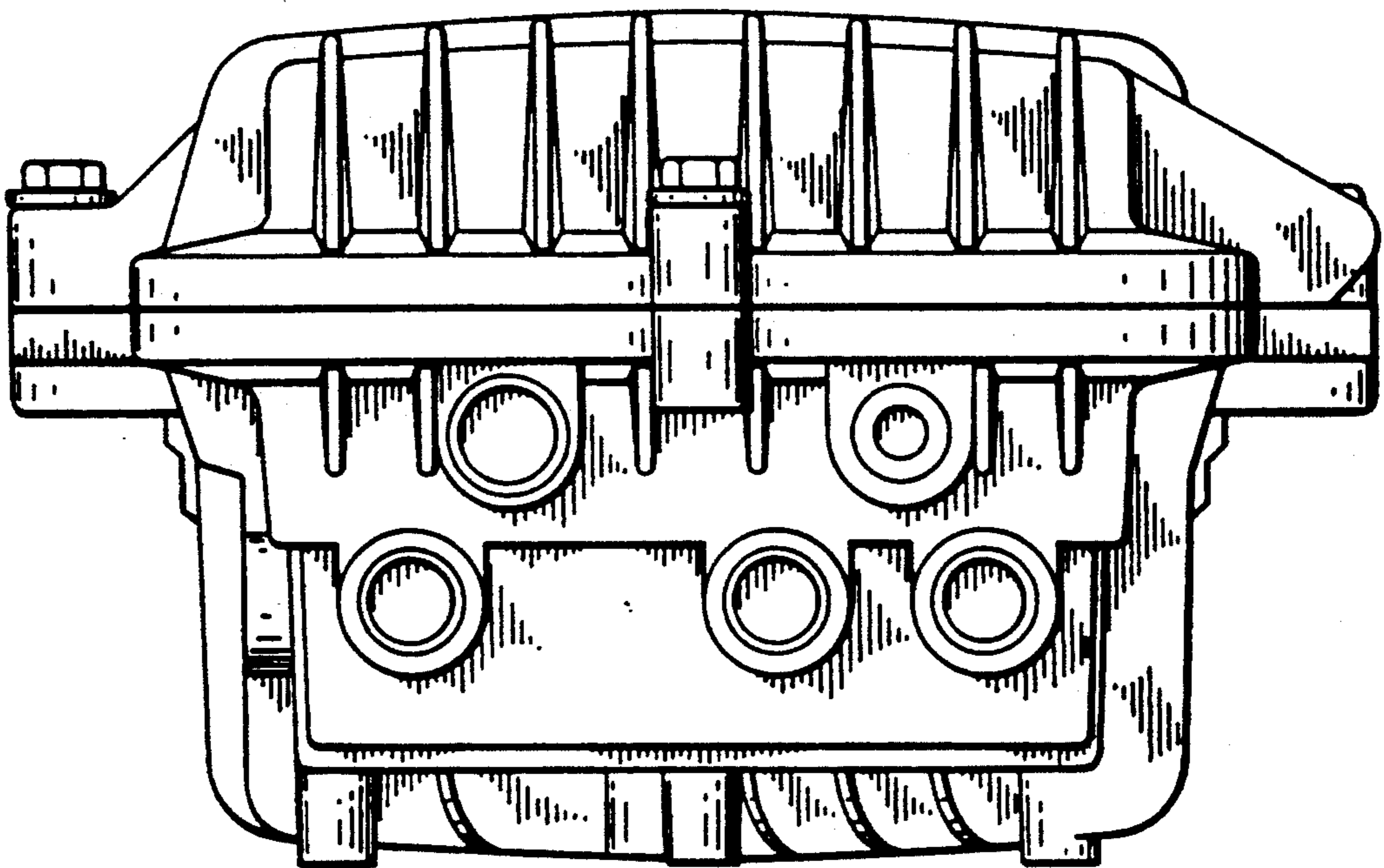
FIG. 1



**FIG. 2**

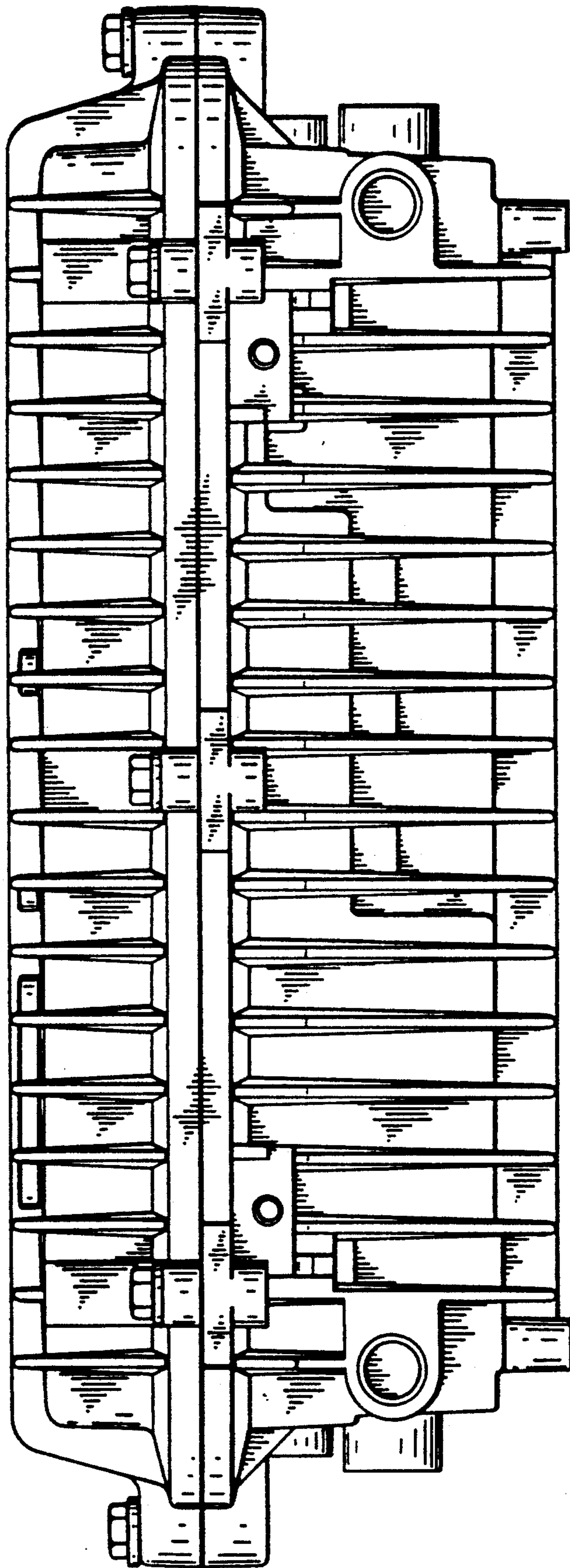


**FIG. 3**



**FIG. 4**





**FIG. 5**

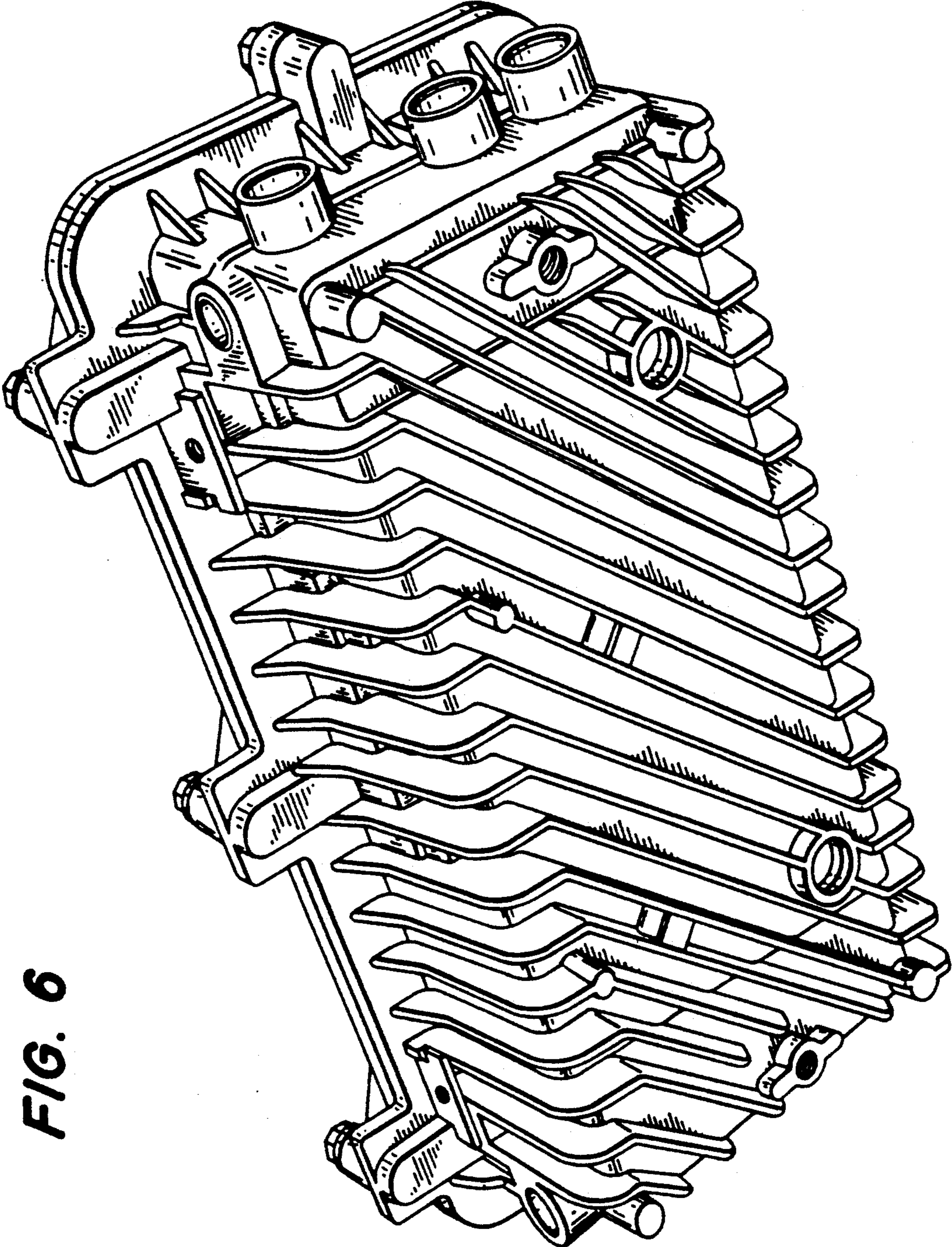
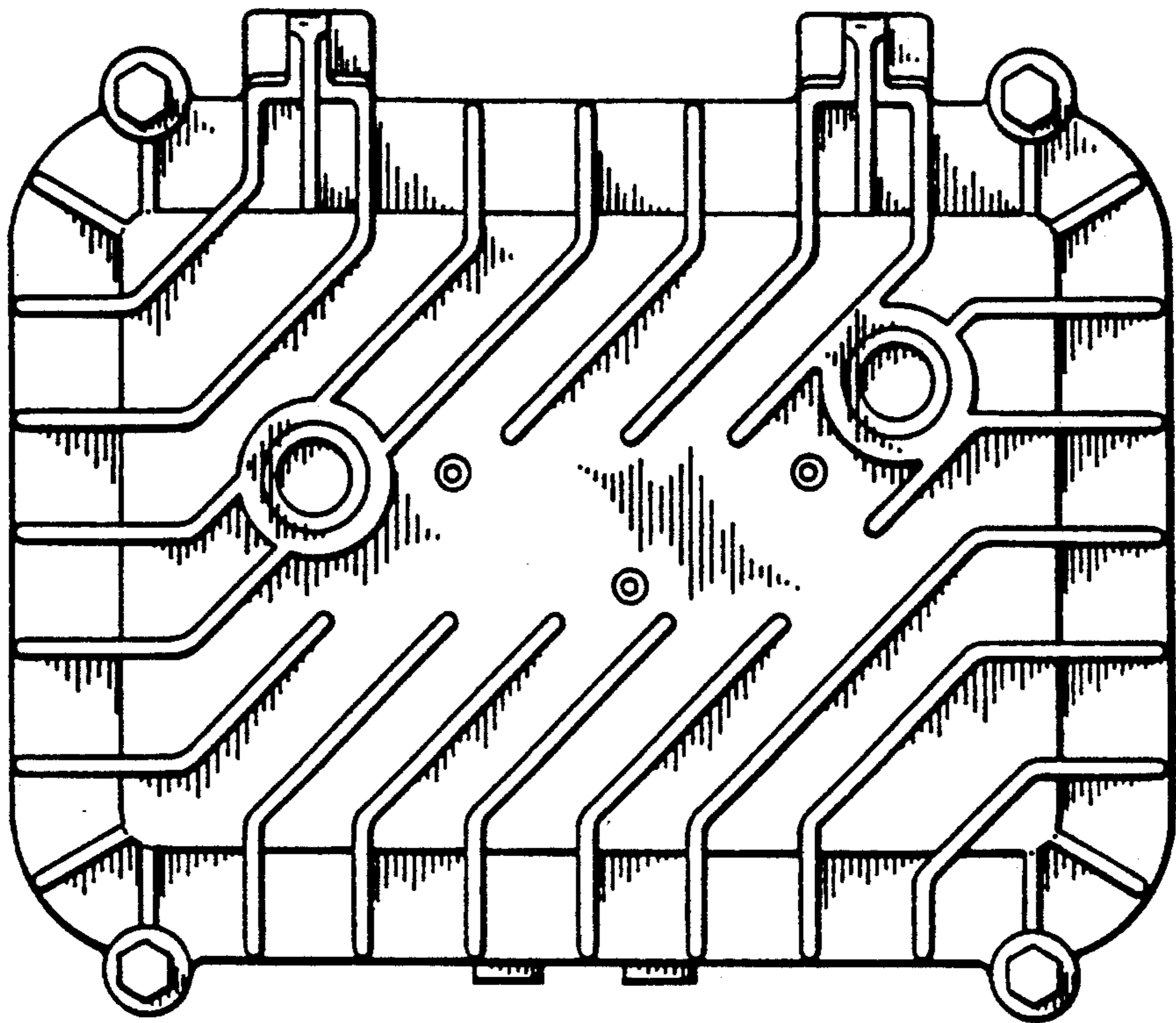
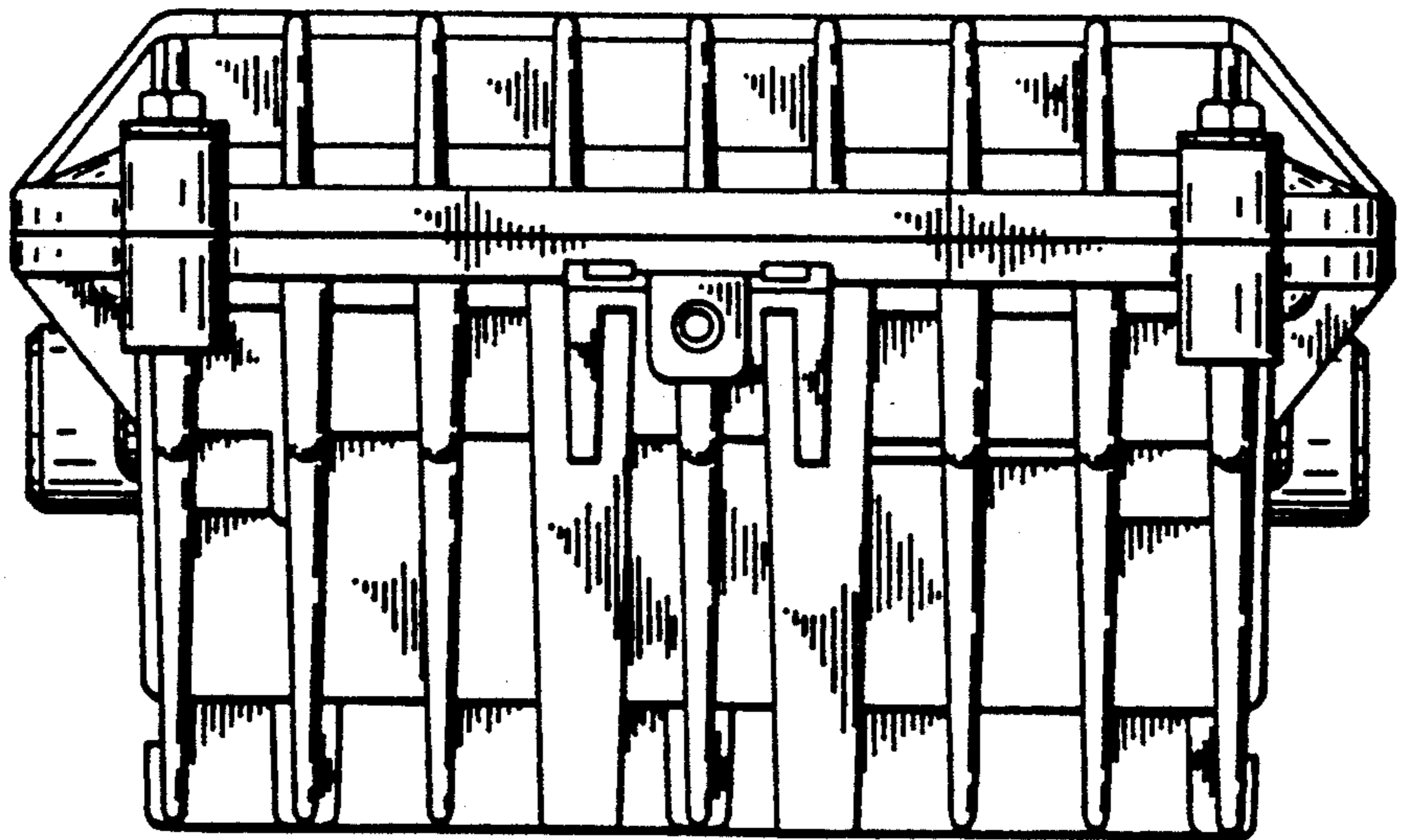


FIG. 6

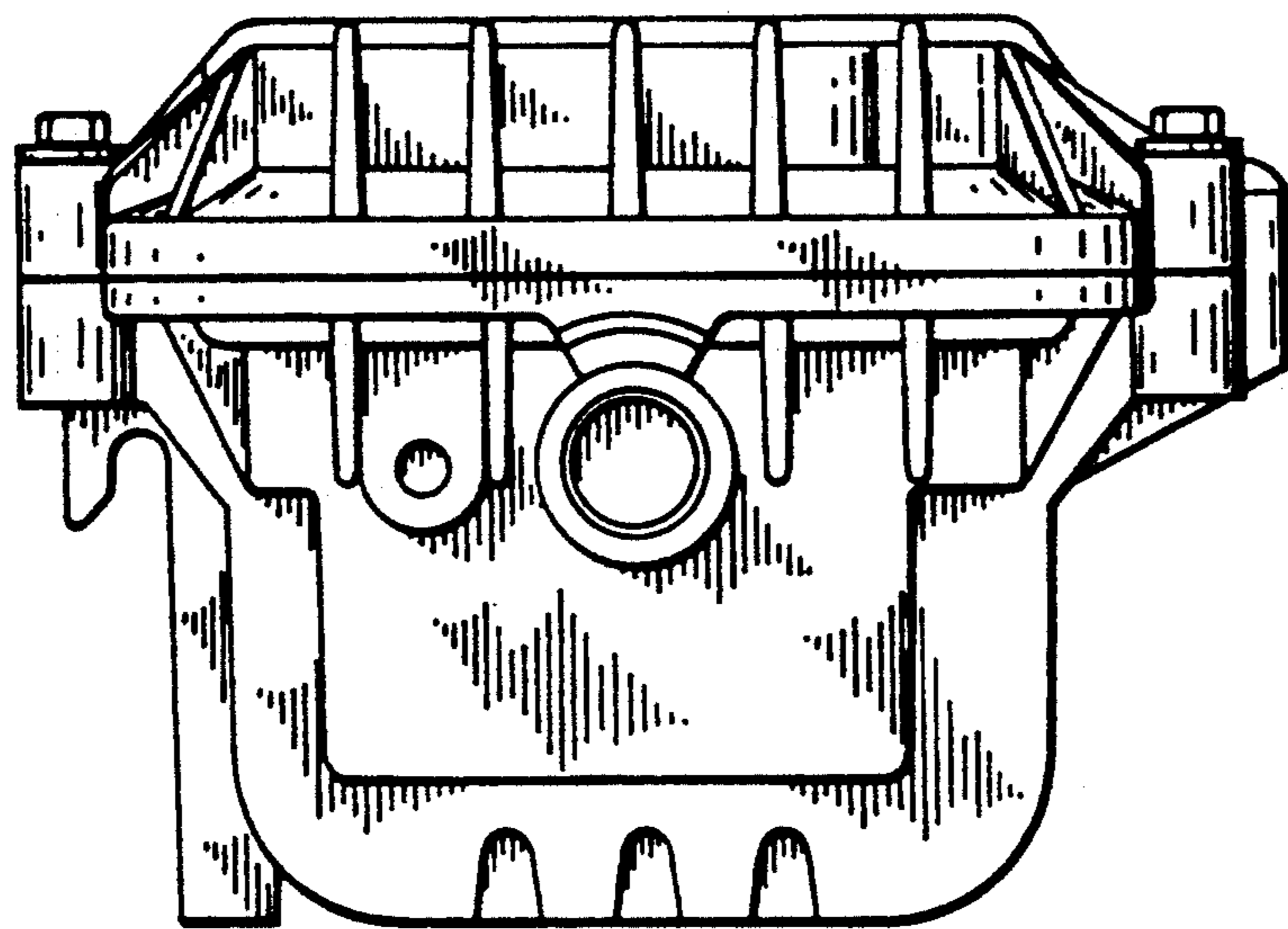


**FIG. 7**

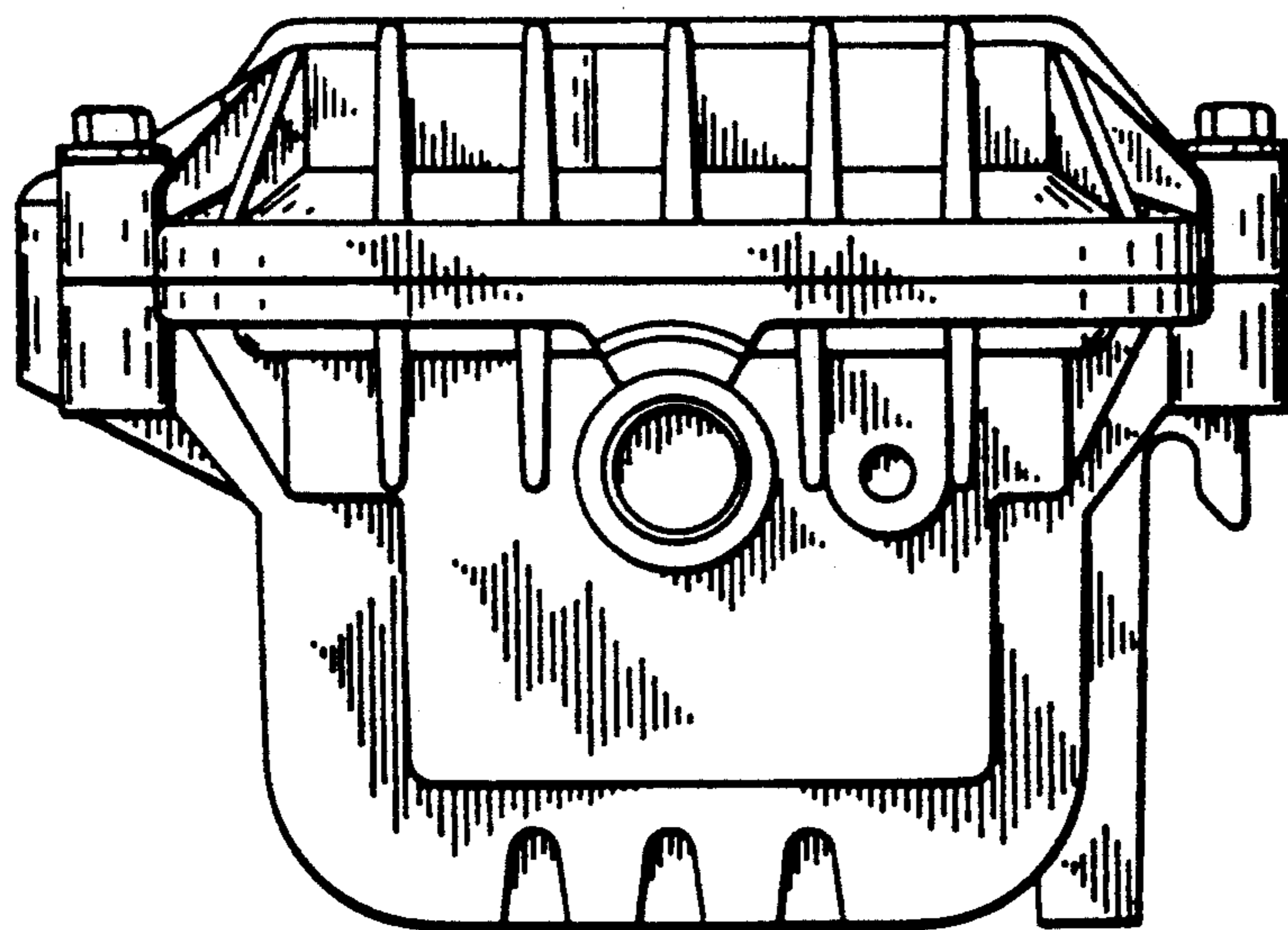


**FIG. 8**



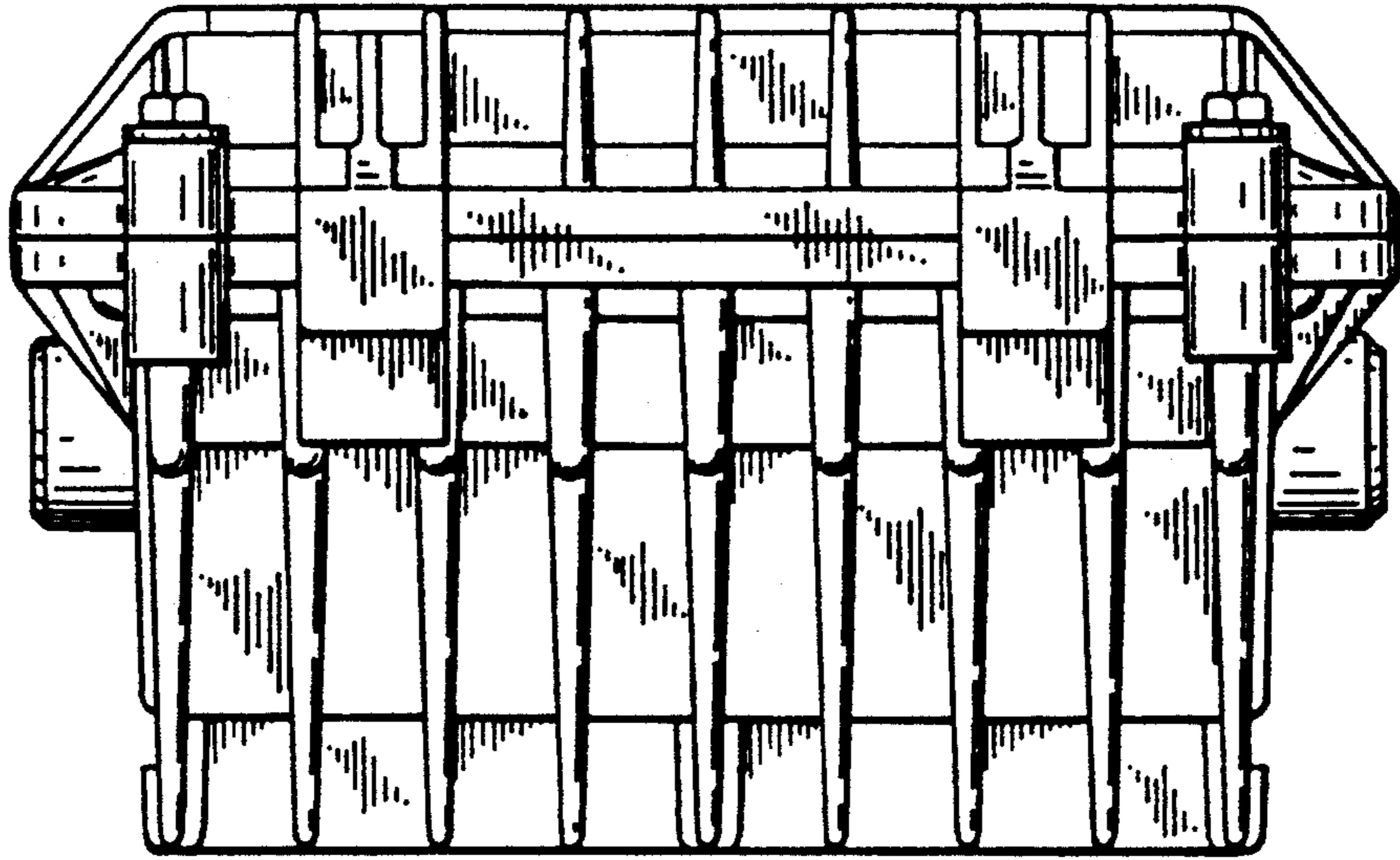


**FIG. 9**

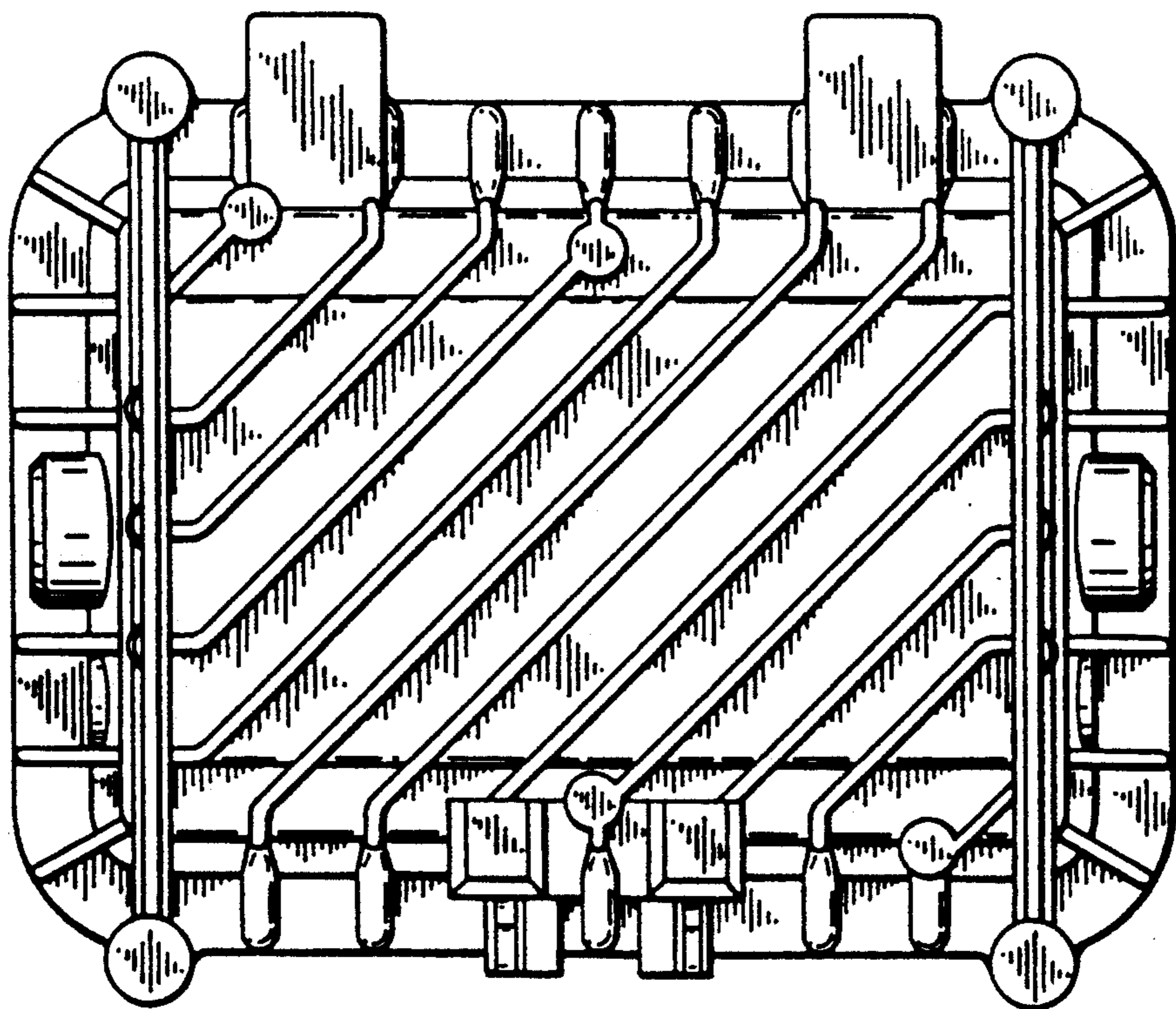


**FIG. 10**





**FIG. 11**



**FIG. 12**