



US00D336073S

United States Patent [19]

[11] Patent Number: **Des. 336,073**

Happ

[45] Date of Patent: **** Jun. 1, 1993**

[54] **DISCONNECT FUSE HOLDER ASSEMBLY**

[75] Inventor: **Lawrence Happ, Mundelein, Ill.**

[73] Assignee: **Cooper Industries, Inc., Houston, Tex.**

[**] Term: **14 Years**

[21] Appl. No.: **788,734**

[22] Filed: **Nov. 5, 1991**

[52] U.S. Cl. **D13/161**

[58] Field of Search **D13/161, 178; 361/119, 361/124, 340; 337/6, 186, 208, 227, 229, 231, 261**

[56] **References Cited**

U.S. PATENT DOCUMENTS

D. 298,123	10/1988	Beard	D13/161
1,633,971	6/1927	Baxter	D13/161 X
3,432,789	3/1969	Poehlman, Jr.	D13/161 X
3,464,046	8/1969	Eisele et al.	337/227 X
4,924,345	5/1990	Siemon et al.	361/119 X

FOREIGN PATENT DOCUMENTS

2453056 10/1975 Fed. Rep. of Germany 361/119
1513378 2/1968 France 337/6

Primary Examiner—Wallace R. Burke

Assistant Examiner—Joel Sincavage

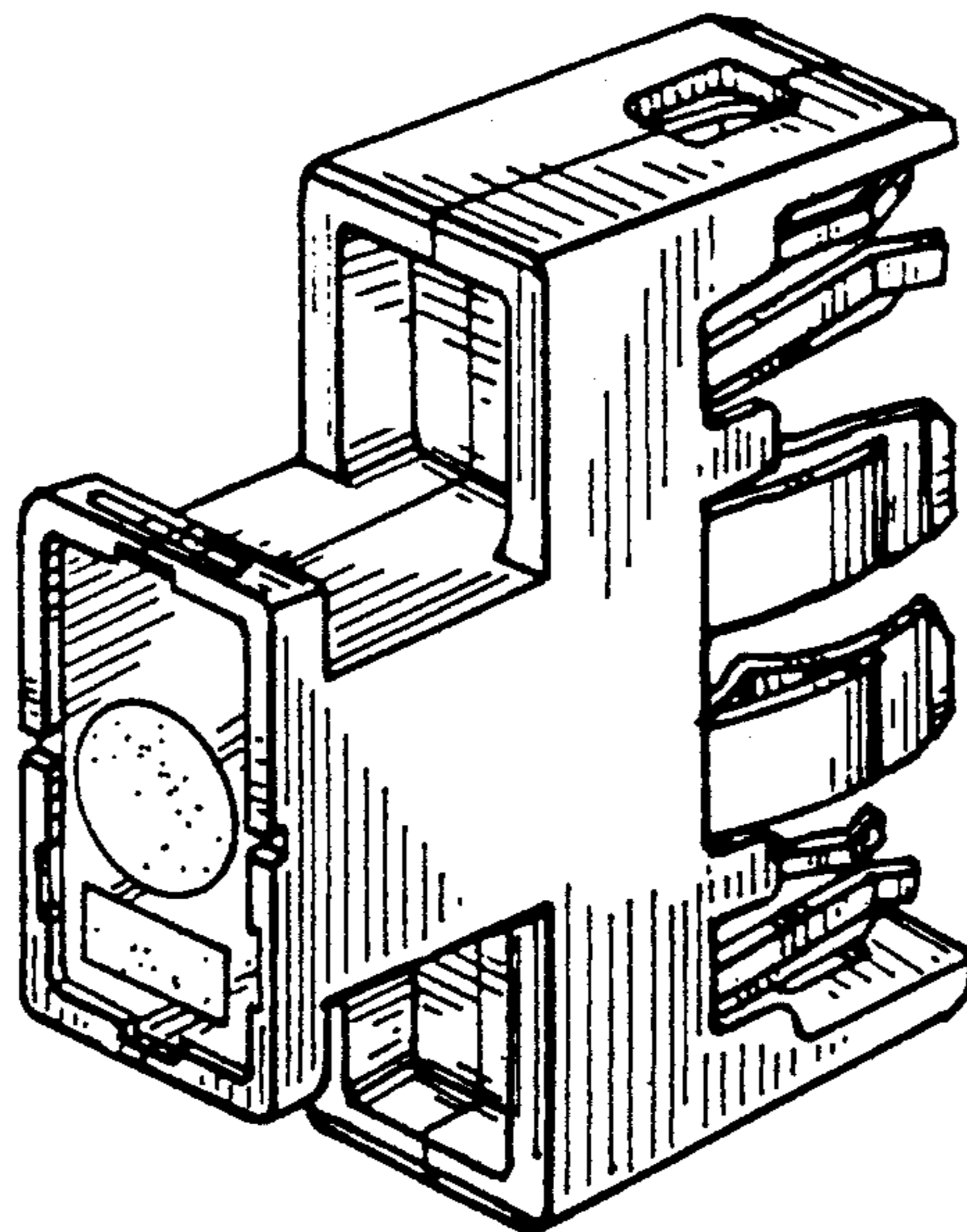
Attorney, Agent, or Firm—Laff, Whitesel, Conte & Saret

[57] **CLAIM**

The ornamental design for disconnect fuse holder assembly, as shown and described.

DESCRIPTION

FIG. 1 is a front perspective view of a disconnect fuse holder assembly, showing our new design;
 FIG. 2 is a right-hand side elevation view thereof with the left-hand side being the mirror the mirror image thereof;
 FIG. 3 is a top plan view thereof with the bottom being the mirror image thereof;
 FIG. 4 is a front elevational view thereof;
 FIG. 5 is a rear elevation view thereof; and,
 FIG. 6 is a front elevational view of another assembly without the indicia of FIG. 4 and the right, top and rear views are identical to FIGS. 2, 3 and 5 respectively.



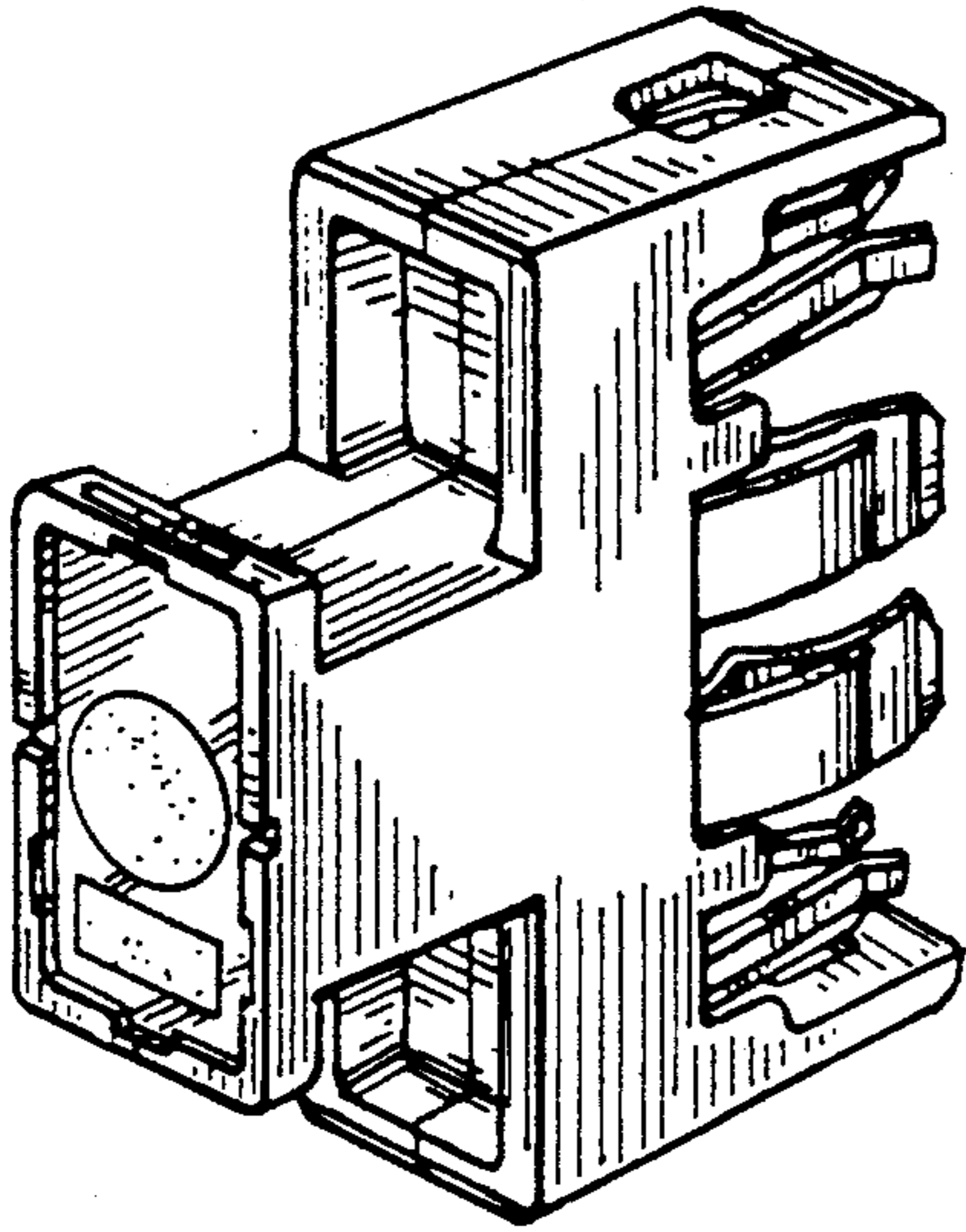


Fig. 1

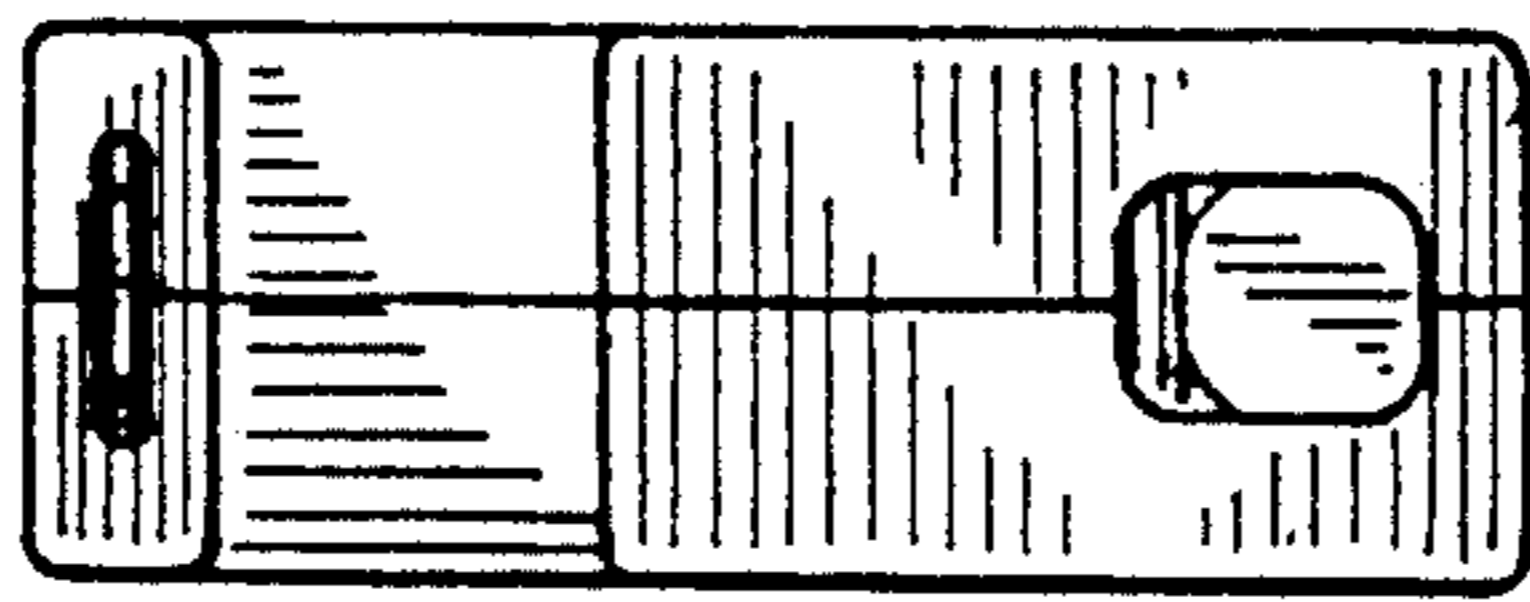


Fig. 3

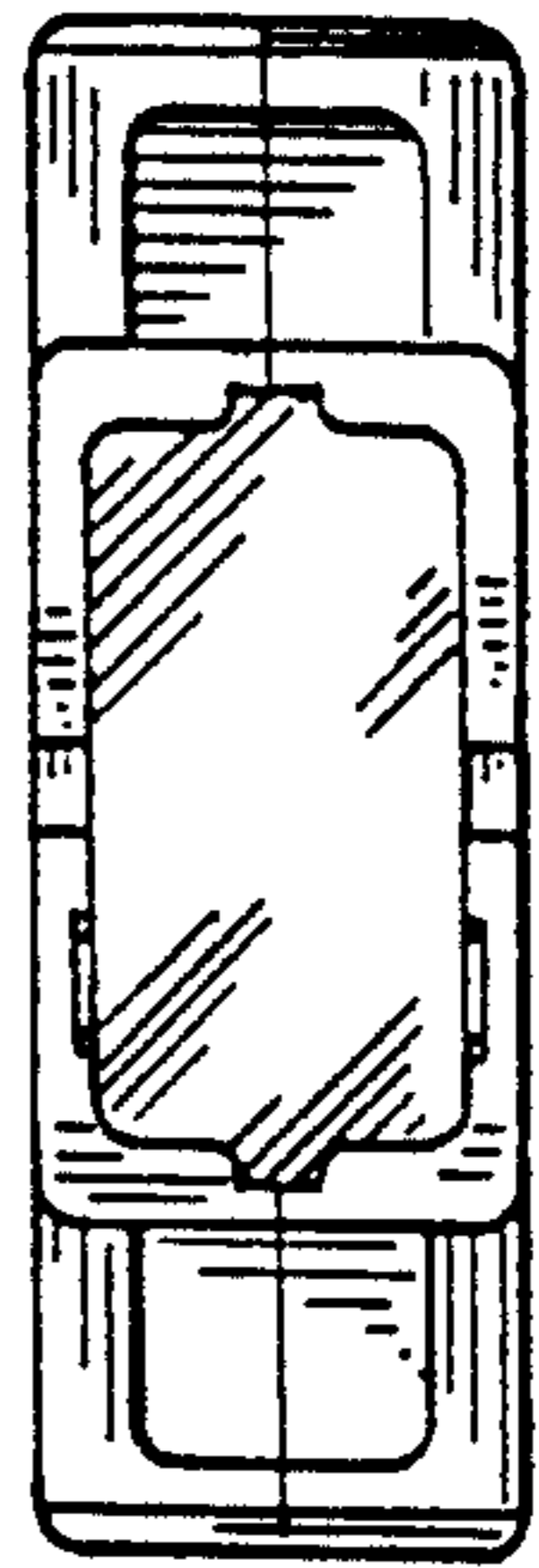


Fig. 6

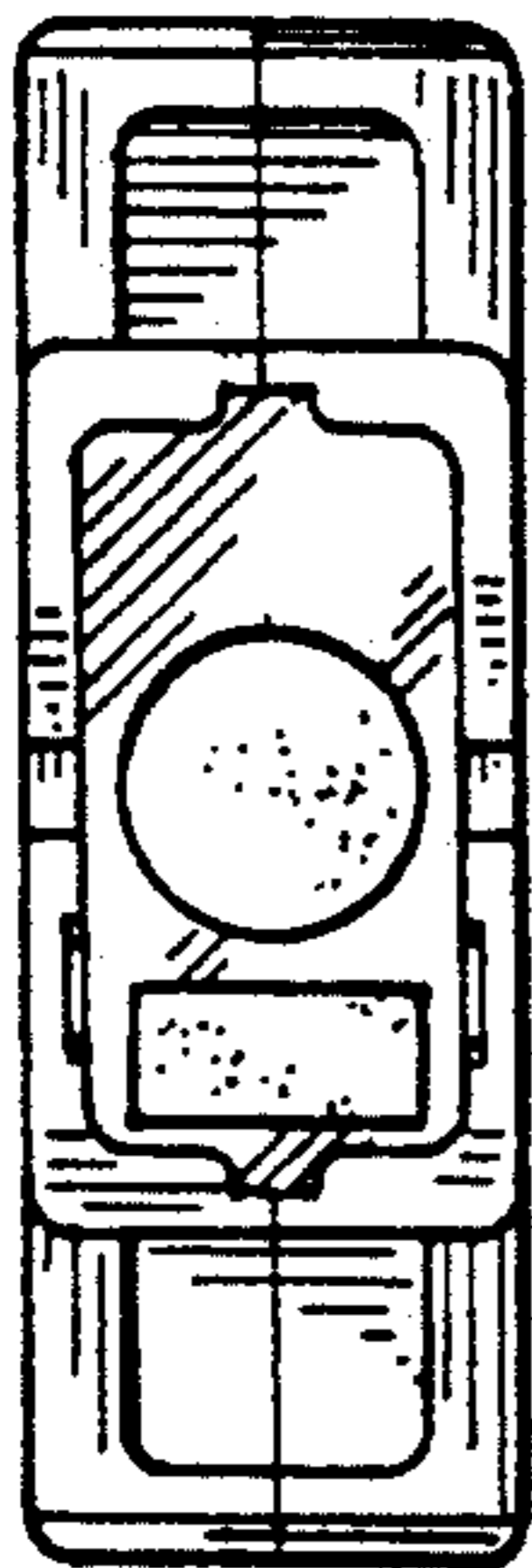


Fig. 4

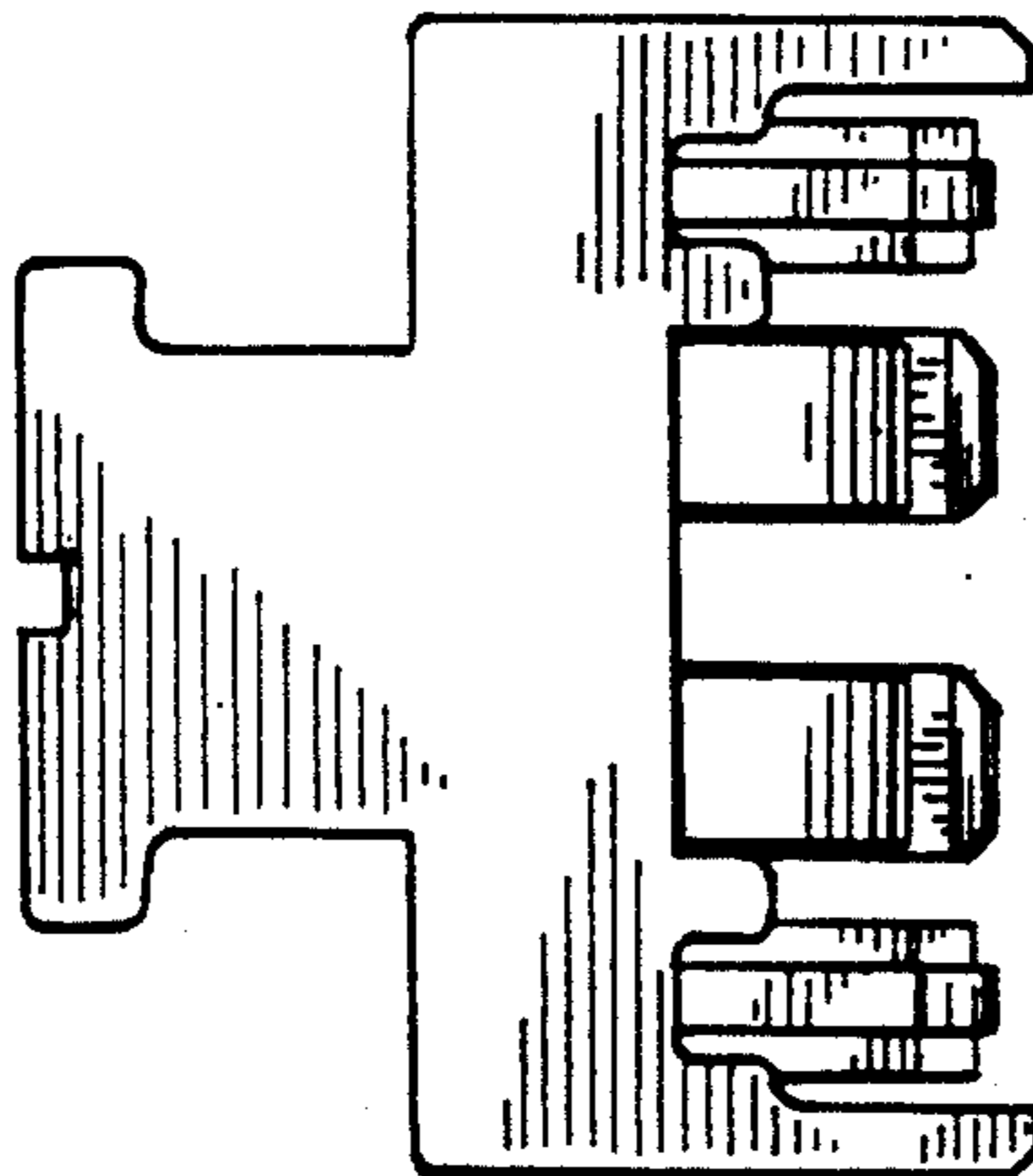


Fig. 2

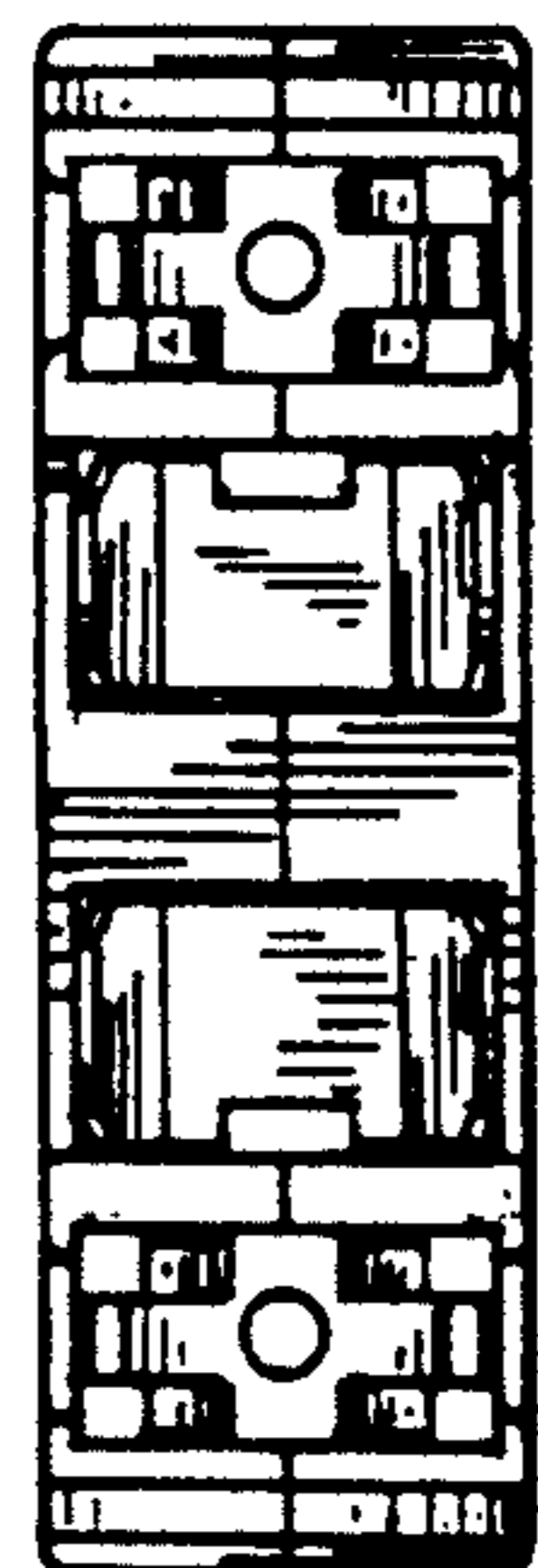


Fig. 5

UNITED STATES PATENT AND TRADEMARK OFFICE
CERTIFICATE OF CORRECTION

PATENT NO. : DES. 336,073
DATED : June 1, 1993
INVENTOR(S) : David R. Marach, et al

It is certified that error appears in the above-identified patent and that said Letters Patent is hereby corrected as shown below:

On the title page, item [19], delete "Happ" and insert therefor --Marach--.

On the title page, item [75], delete named inventor, and insert therefor the following:

David R. Marach, Marengo, IL

Conrad Alfaro, Chicago, IL

Lawrence R. Happ, Mundelein, IL

Signed and Sealed this
Twelfth Day of October, 1993

Attest:



BRUCE LEHMAN

Attesting Officer

Commissioner of Patents and Trademarks