



US00D336072S

# United States Patent [19]

[11] Patent Number: **Des. 336,072**

Givler

[45] Date of Patent: **\*\* Jun. 1, 1993**

[54] HOUSING FOR A THERMOSTATIC SWITCH

4,476,452 10/1984 D'Entremont ..... 337/107 X  
4,710,743 12/1987 Givler ..... 337/112 X

[75] Inventor: **Omar R. Givler**, North Canton, Ohio

[73] Assignee: **Portage Electric Product, Inc.**, North Canton, Ohio

*Primary Examiner*—Wallace R. Burke  
*Assistant Examiner*—Joel Sincavage  
*Attorney, Agent, or Firm*—Darby & Darby

[\*\*] Term: **14 Years**

[57] **CLAIM**

[21] Appl. No.: **738,729**

The ornamental design for a housing for a thermostatic switch, as shown and described.

[22] Filed: **Jul. 23, 1991**

**DESCRIPTION**

[52] U.S. Cl. .... **D13/158**

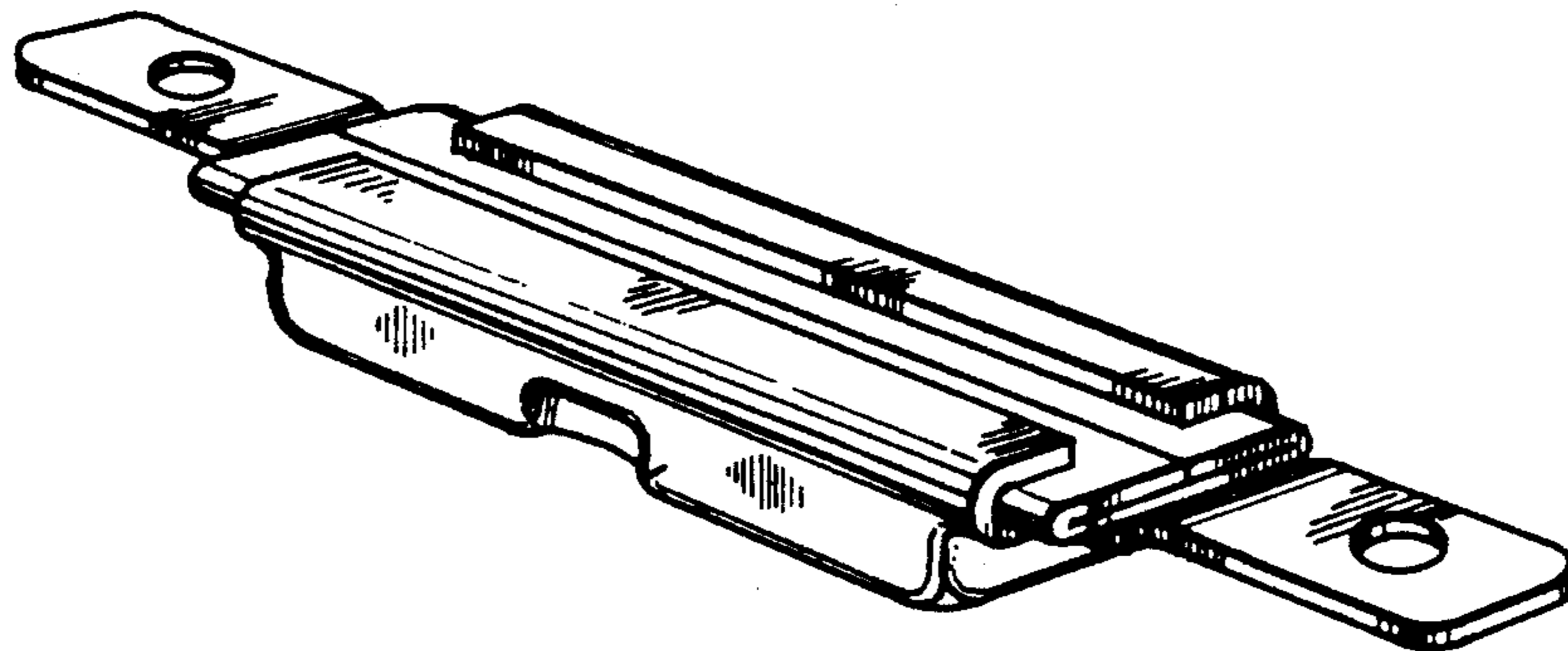
[58] Field of Search ..... D13/158, 160; 337/102, 337/107, 112, 113, 327, 380

FIG. 1 is a front and upper left perspective view of a thermostatic switch showing my new design; FIG. 2 is a front elevational view thereof; FIG. 3 is a rear elevational view thereof; FIG. 4 is a left side elevational view thereof, the right side elevational view thereof being a mirror image; FIG. 5 is a top plan view thereof; and, FIG. 6 is a bottom plan view thereof.

[56] **References Cited**

**U.S. PATENT DOCUMENTS**

3,968,468 7/1976 Andersen ..... 337/102 X  
4,399,423 8/1983 Nield ..... 337/107 X



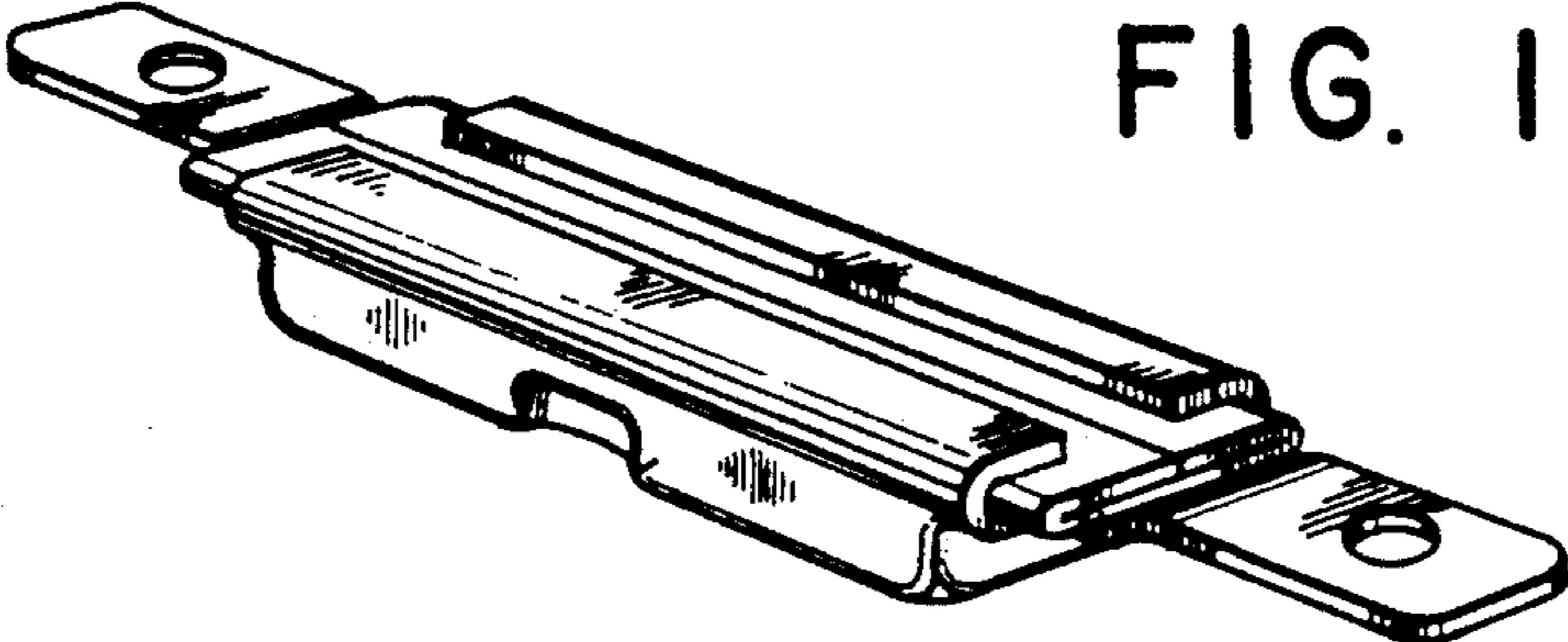


FIG. 1

FIG. 2



FIG. 3



FIG. 4



FIG. 5

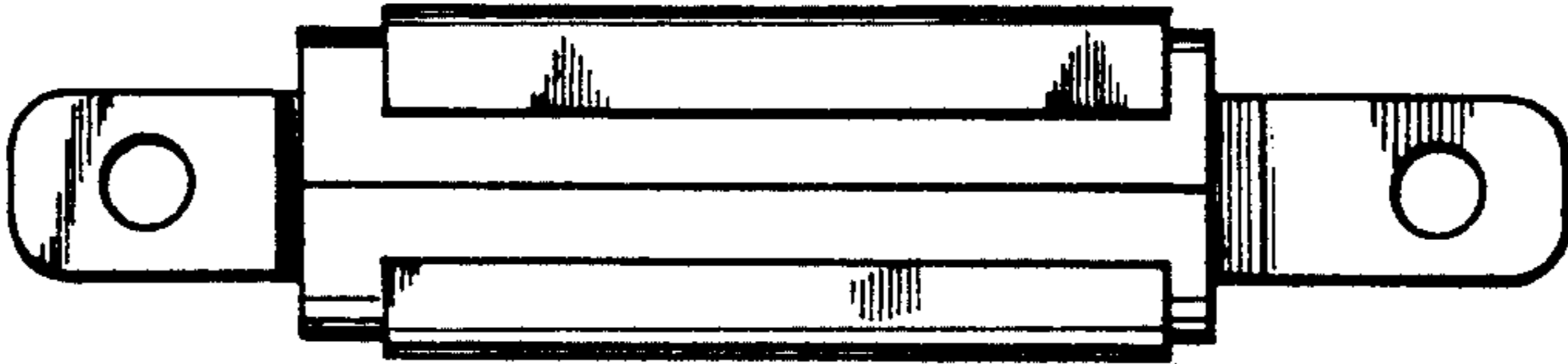


FIG. 6