



US00D336070S

United States Patent [19]

[11] Patent Number: **Des. 336,070**

Clark

[45] Date of Patent: **** Jun. 1, 1993**

[54] ELECTRICAL PLUG ASSEMBLY

D. 289,753 5/1987 Law D13/133
D. 301,459 6/1989 Chambers D13/151

[75] Inventor: William E. Clark, Syracuse, N.Y.

Primary Examiner—Wallace R. Burke
Assistant Examiner—Joel Sincavage
Attorney, Agent, or Firm—Eddie E. Scott; William B. Patterson; Alan R. Thiele

[73] Assignee: Cooper Industries, Inc., Houston, Tex.

[**] Term: 14 Years

[57] **CLAIM**

[21] Appl. No.: 725,730

The ornamental design for an electrical plug assembly, as shown and described.

[22] Filed: Jul. 3, 1991

[52] U.S. Cl. D13/133; D13/146

[58] Field of Search D13/133, 146, 147, 151;
439/106, 306, 307, 320, 339, 657, 659, 690, 727,
934

DESCRIPTION

[56] **References Cited**

U.S. PATENT DOCUMENTS

D. 148,897 3/1948 Ward et al. D13/133

FIG. 1 is a top, front perspective view of an electrical plug assembly showing my new design;
FIG. 2 is a front elevational view thereof;
FIG. 3 is a left side elevational view thereof, the right side being a mirror image;
FIG. 4 is a top plan view thereof; and,
FIG. 5 is a bottom plan view thereof.

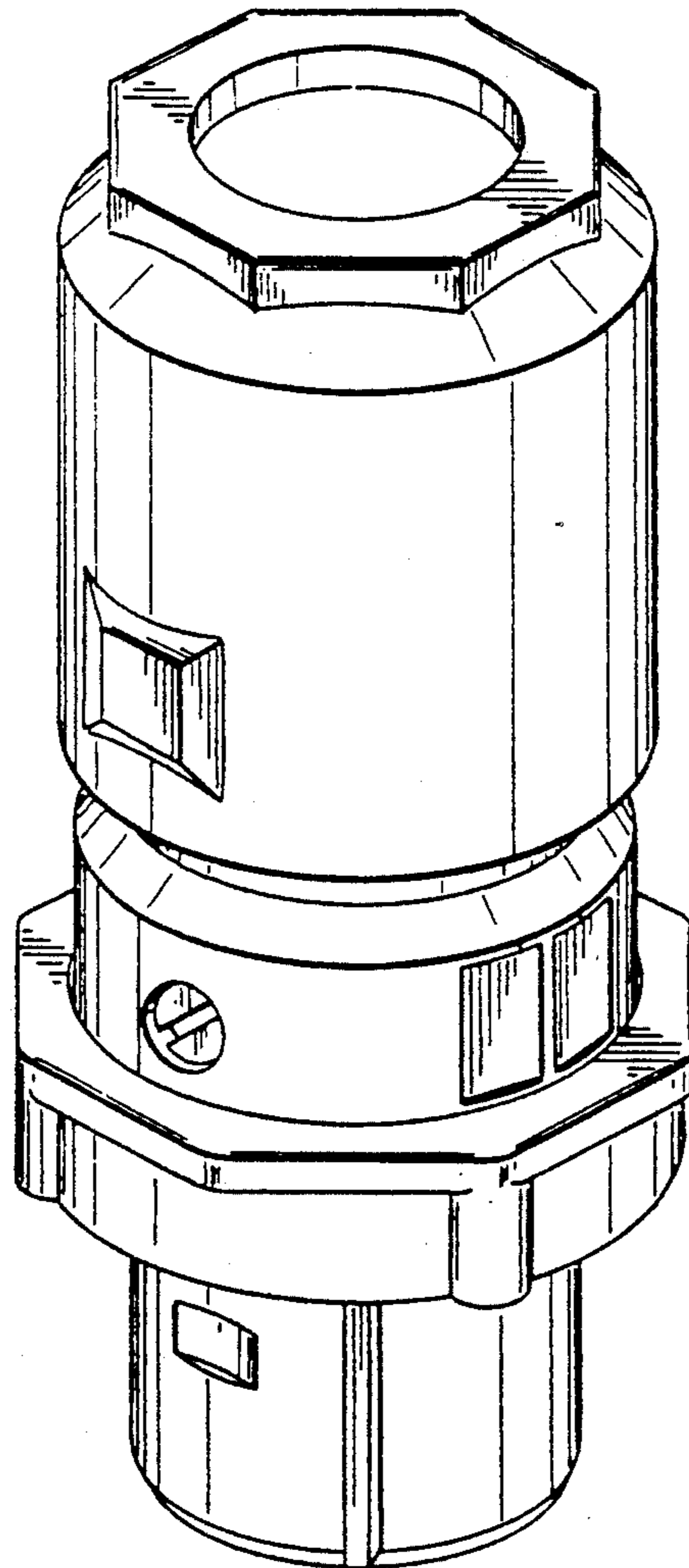


FIG. 1

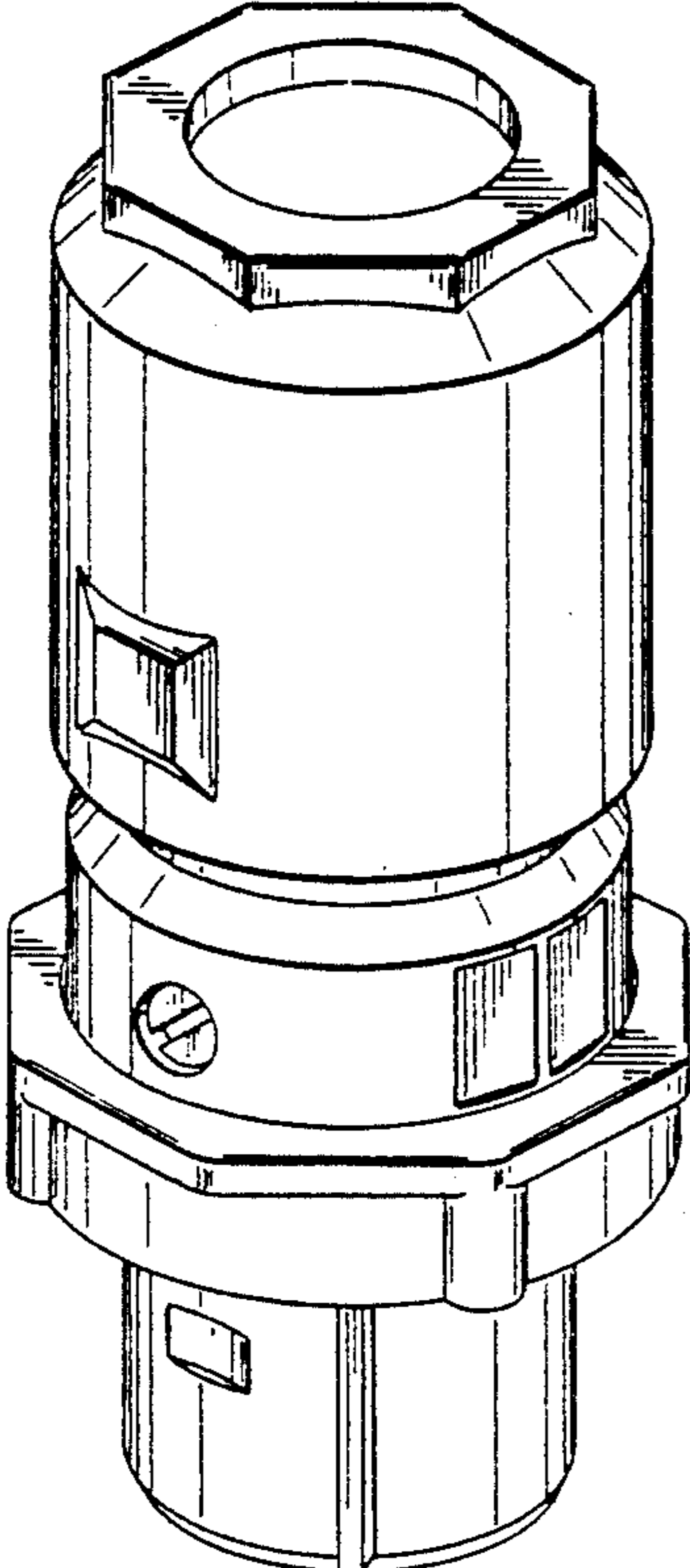


FIG. 4

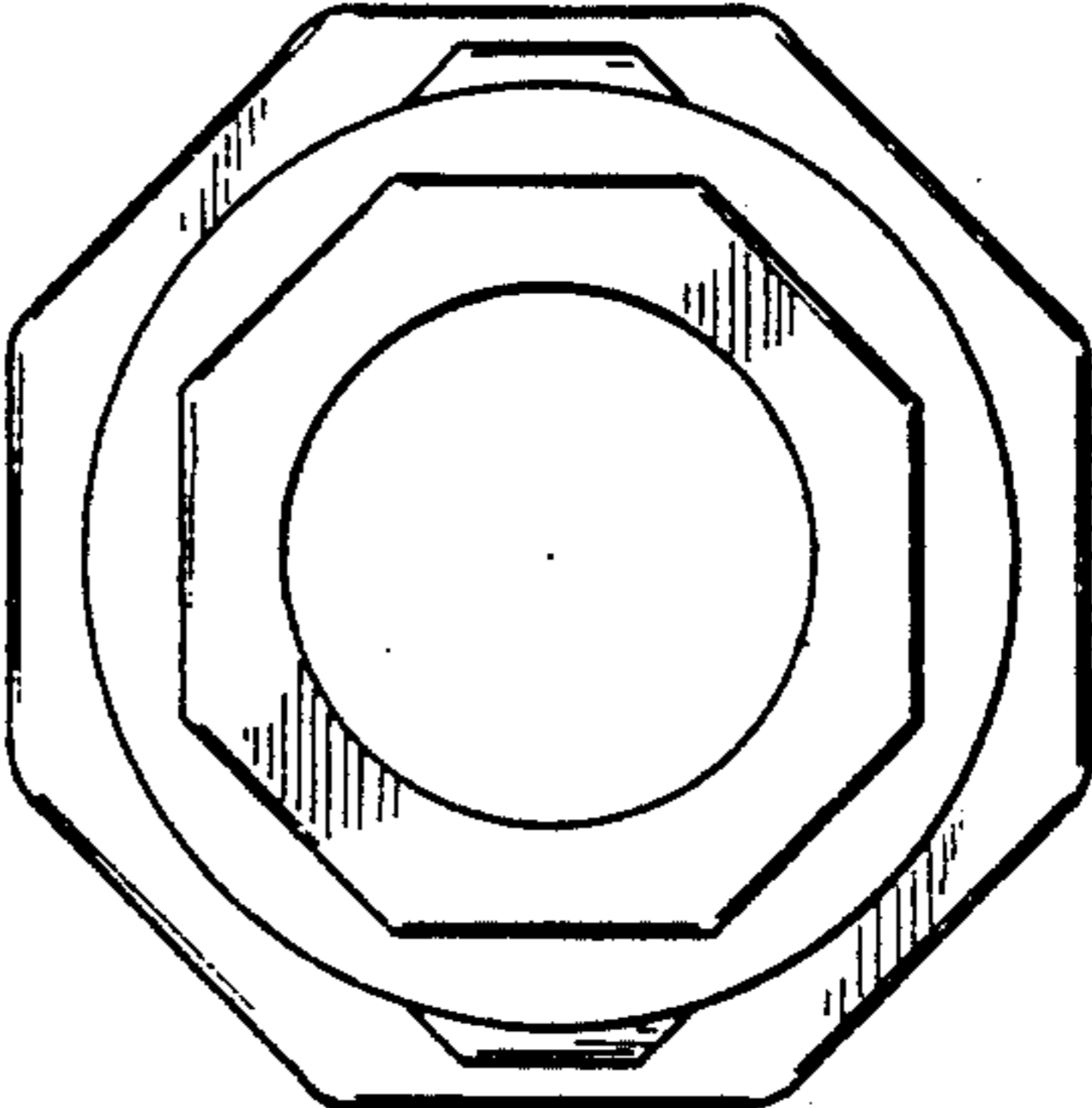


FIG. 3

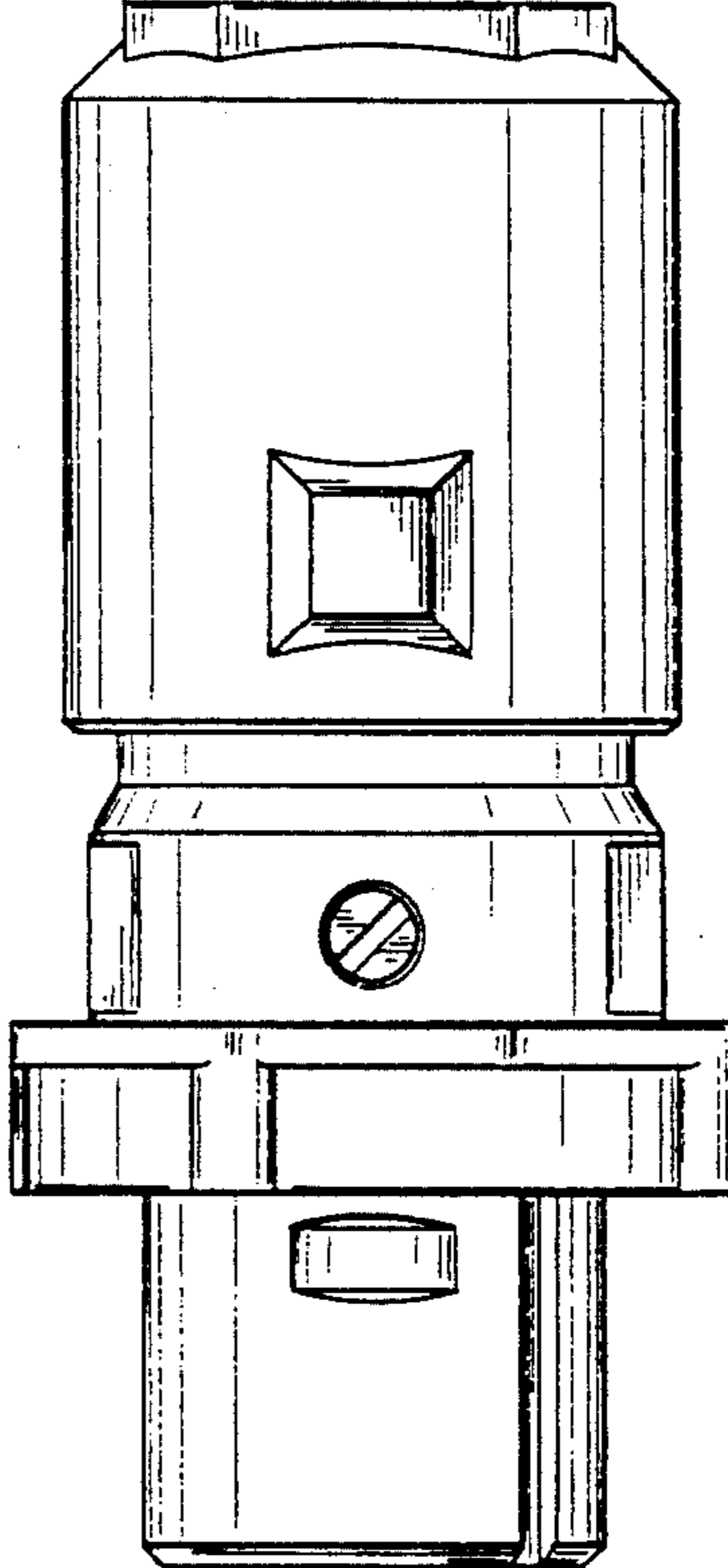


FIG. 2

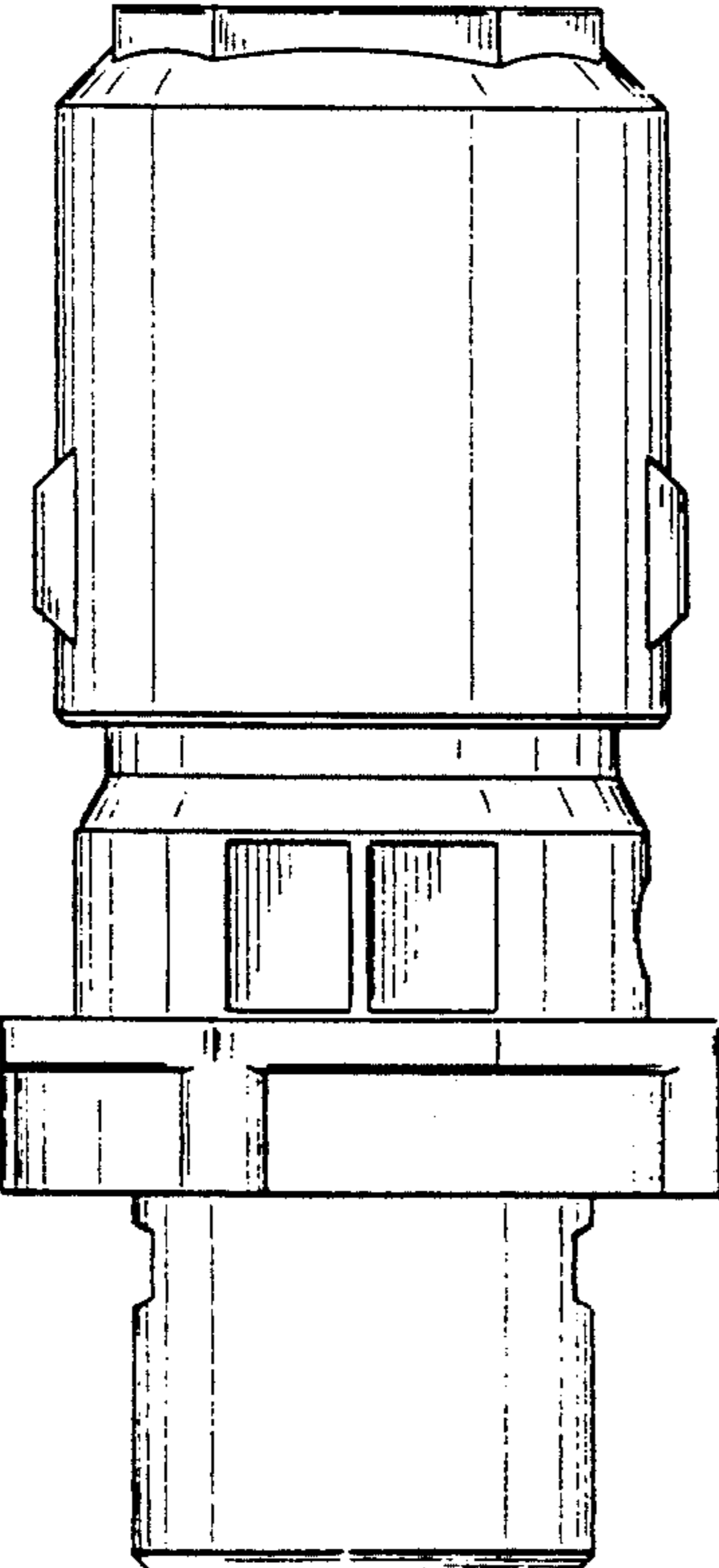


FIG. 5

