



US00D336061S

# United States Patent [19]

Kraselsky et al.

[11] Patent Number: **Des. 336,061**

[45] Date of Patent: **\*\* Jun. 1, 1993**

[54] NOVELTY DISPLAY

[76] Inventors: **Louis J. Kraselsky**, 4785 Velasquez, Pensacola, Fla. 32504; **Kathryn L. Massel**, 34 Randall Ave., Stanford, Conn. 06903

[\*\*] Term: **14 Years**

[21] Appl. No.: **463,965**

[22] Filed: **Jan. 10, 1990**

[52] U.S. Cl. .... **D11/157; D11/131; D11/145**

[58] Field of Search ..... **D11/131, 135, 145, 157, D11/158; D9/307; D26/101; 428/13**

[56] **References Cited**

### U.S. PATENT DOCUMENTS

D. 104,981	6/1937	Mling .....	D11/145
D. 149,117	3/1948	Funfrock .	
D. 257,266	10/1980	Curry et al. .	
D. 304,262	10/1989	Mays .....	D9/307 X
736,751	8/1903	Lobmiller .	
2,155,811	4/1939	Tredup .....	D26/101 X
2,336,185	12/1943	Moran .....	428/13 X
2,709,217	5/1955	McCluskey .....	428/13 X

3,816,224	6/1974	Smart et al. ....	428/13 X
4,221,078	9/1980	Latham et al. .	
4,521,982	6/1985	Altuchow .	

### OTHER PUBLICATIONS

Bacrofts Gift Guide, "Let It Snow", Paperweight, p. 49 (1957).

"Magic Deset Terrarium".

IEEE Spectrum, "Maintenance-free world", Jan. 1987, p. 77.

Two photographs.

*Primary Examiner*—Bernard Ansher

*Assistant Examiner*—Dominic Simone

*Attorney, Agent, or Firm*—Venable, Baetjer and Howard

### [57] CLAIM

The ornamental design for a novelty display, as shown and described.

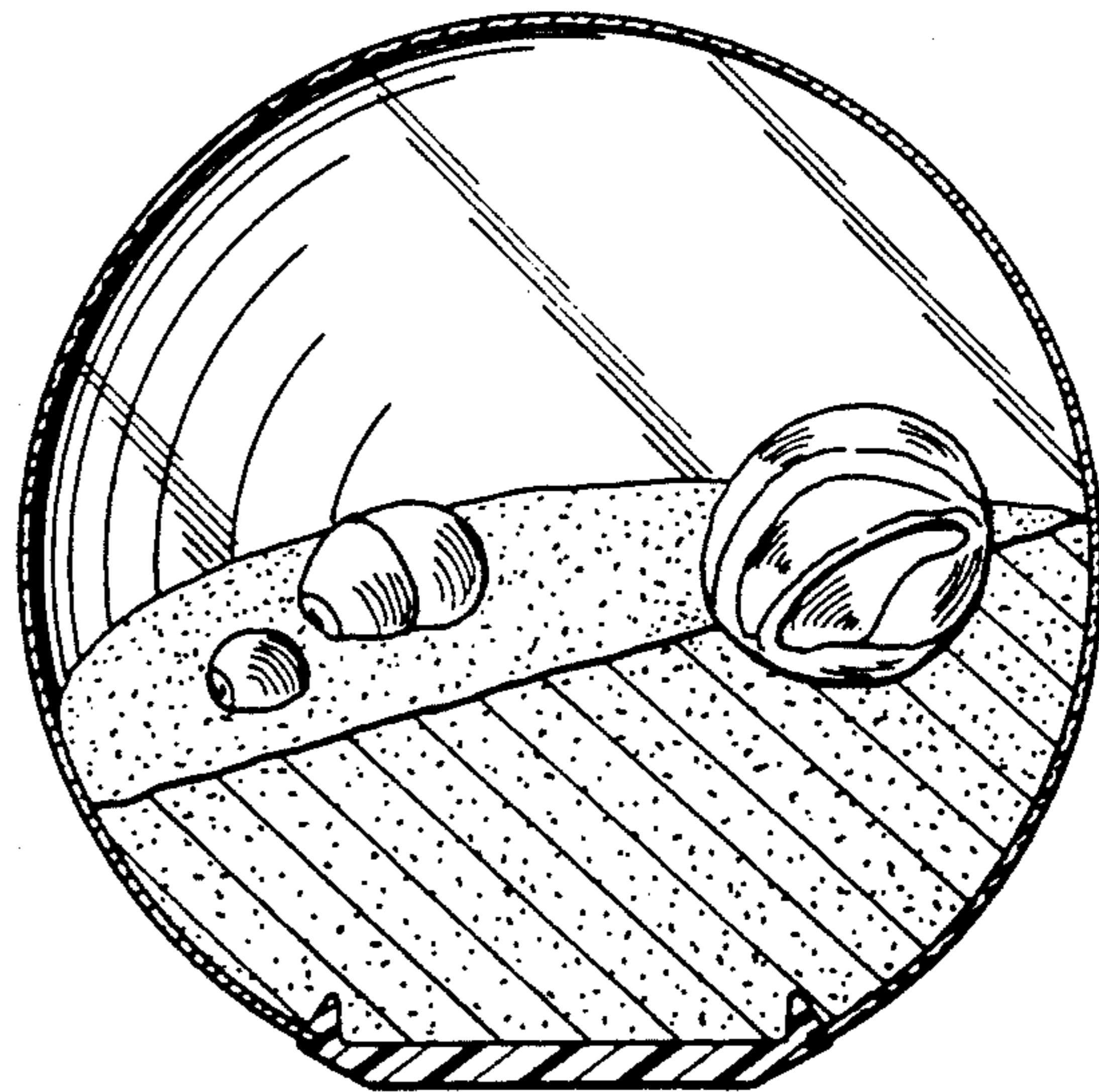
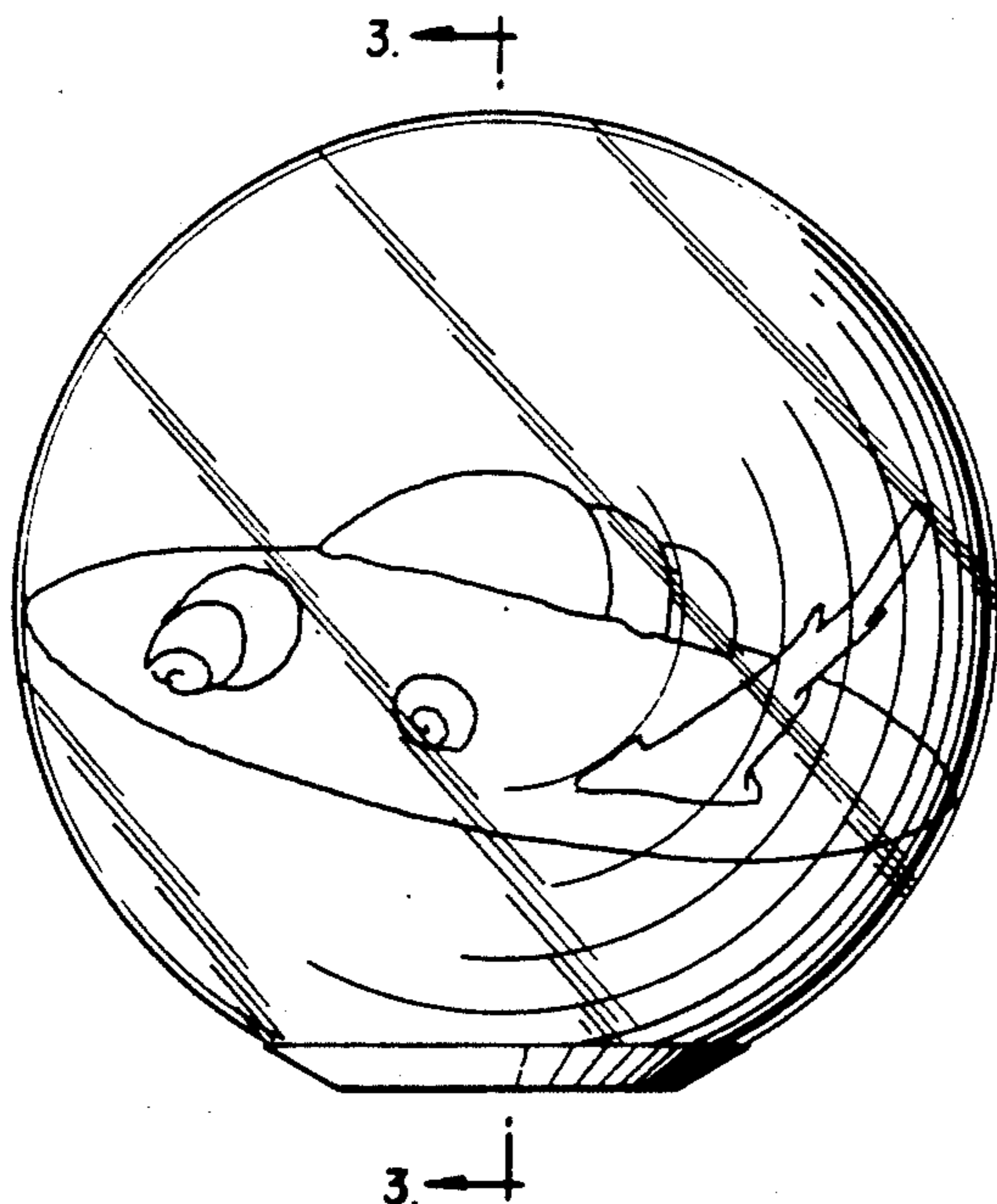
### DESCRIPTION

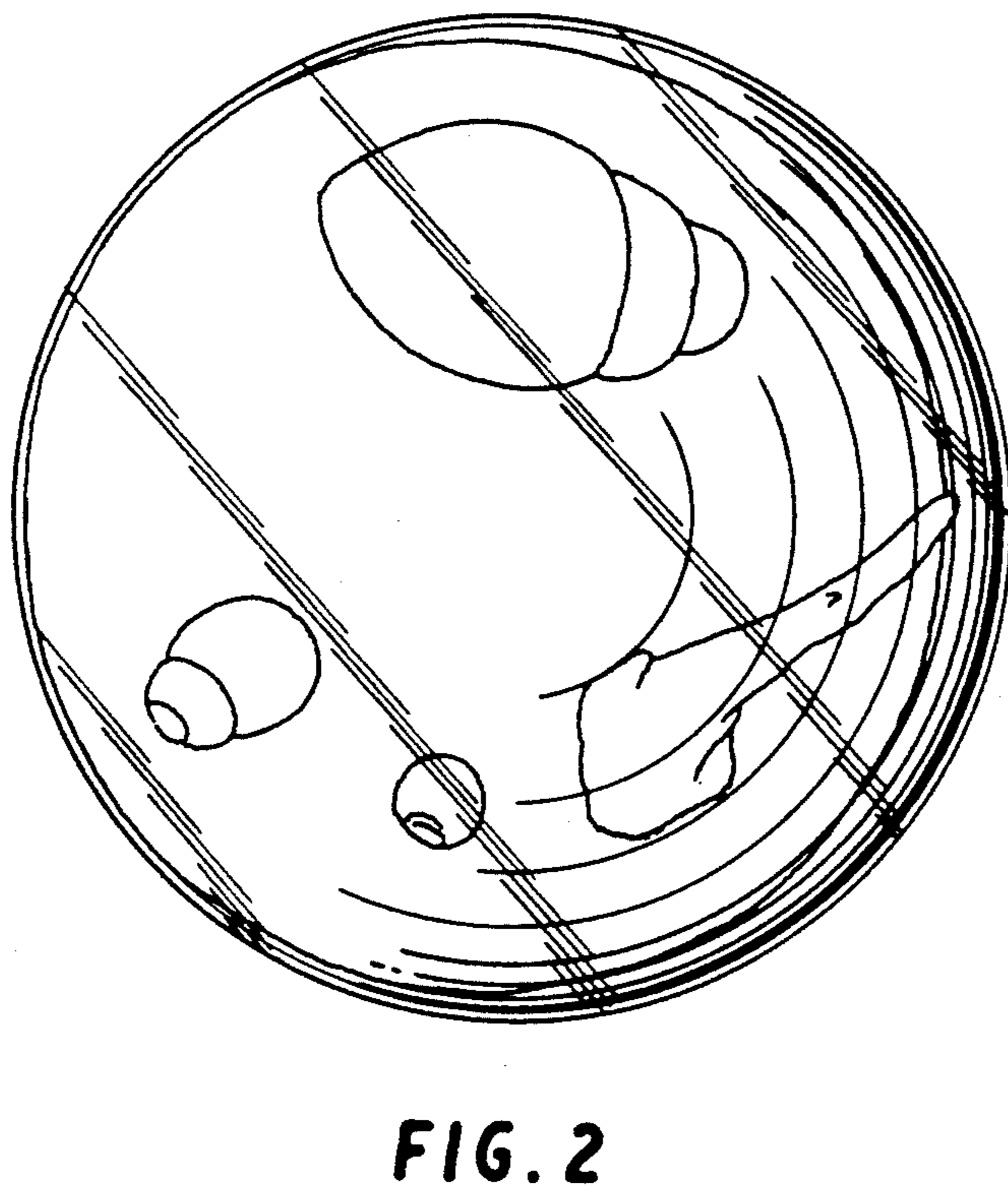
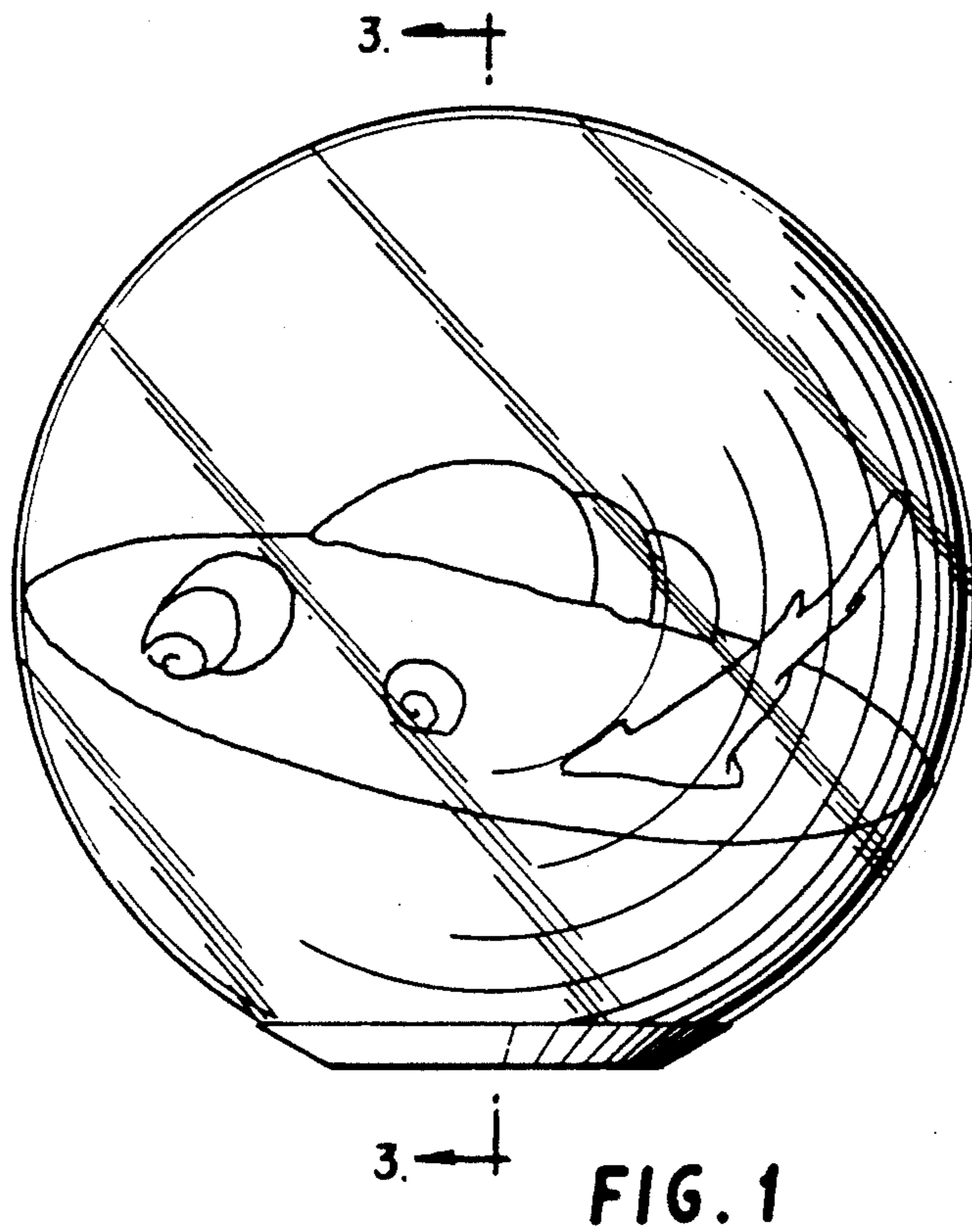
FIG. 1 is a front elevational view of a novelty display showing our new design;

FIG. 2 is a top plan view thereof;

FIG. 3 is a cross-sectional view thereof, taken in the direction of the arrows along line 3—3 of FIG. 1; and,

FIG. 4 is a bottom plan view thereof.





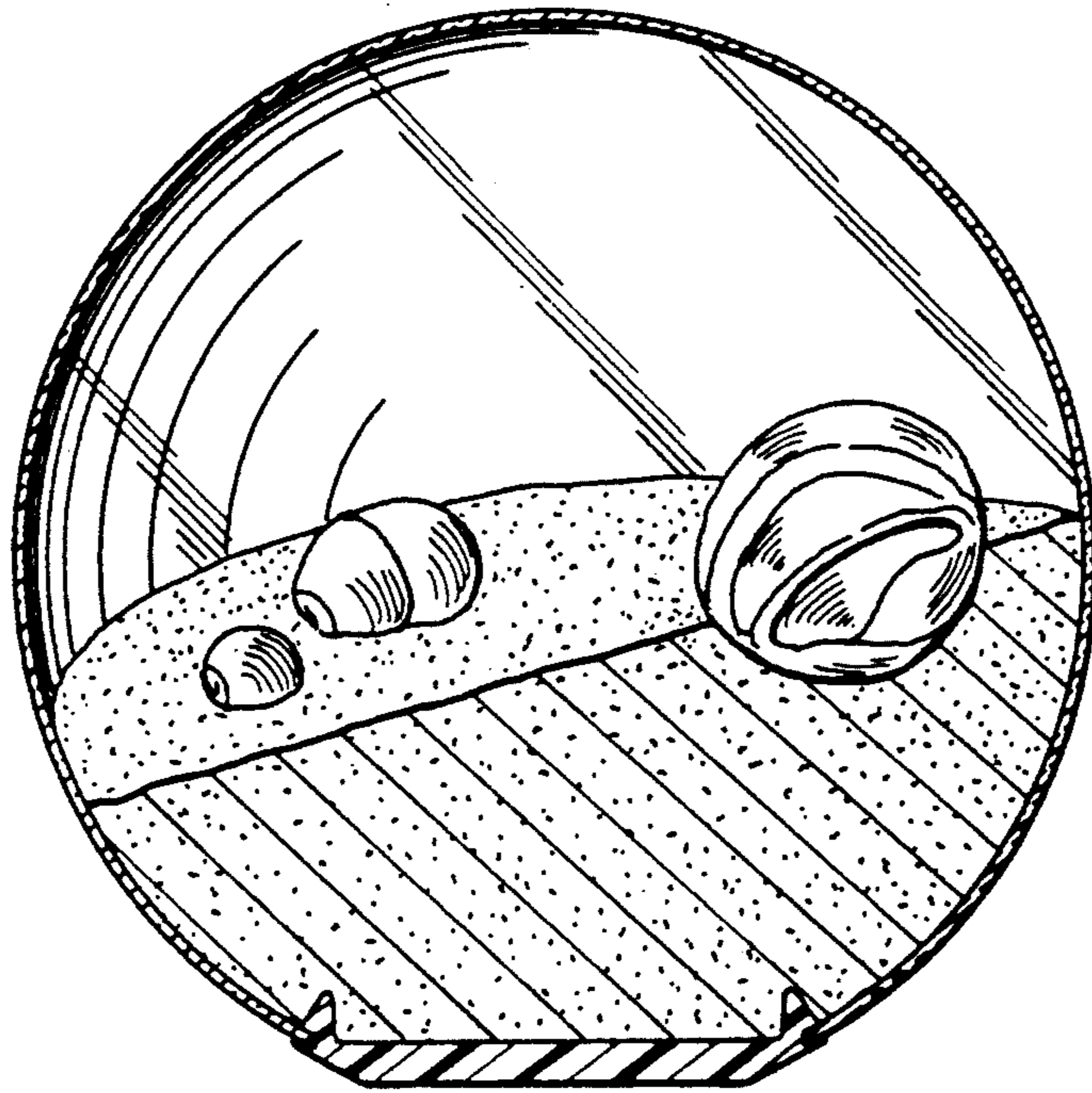


FIG. 3

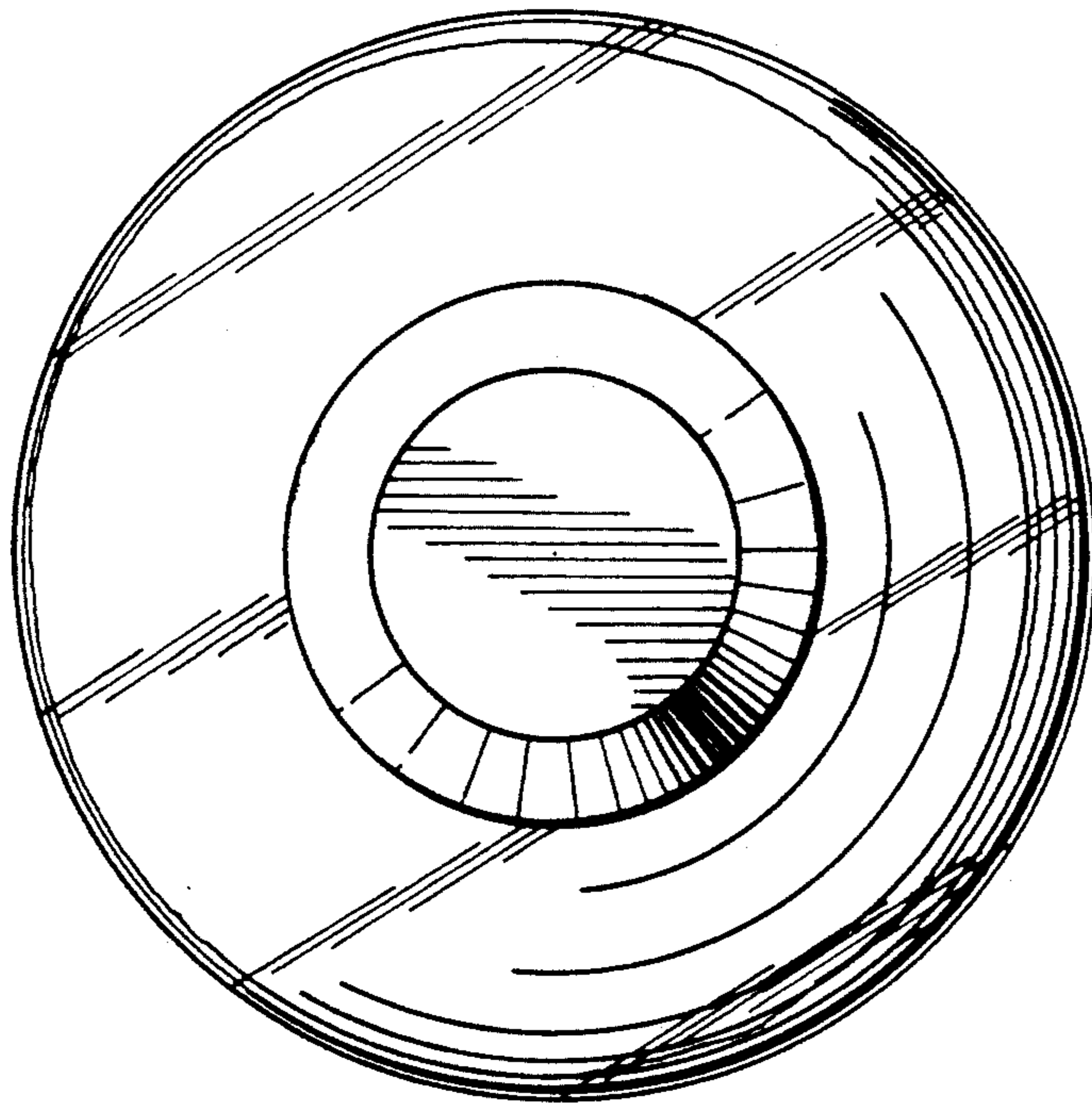


FIG. 4