



US00D336053S

# United States Patent [19]

[11] Patent Number: **Des. 336,053**

Hayes et al.

[45] Date of Patent: **\*\* Jun. 1, 1993**

[54] **CONTROL CONSOLE FOR SIGNALLING EMERGENCY SERVICES**

D. 306,705	3/1990	Mallory	.....	D14/100
D. 310,791	9/1990	Farrell et al.	.....	D10/106
D. 312,221	11/1990	Steel et al.	.....	D10/106
D. 318,816	8/1991	Roberts et al.	.....	D10/106

[75] Inventors: **Robert J. Hayes**, Gahanna, Ohio;  
**Vincent L. Haley**, Raleigh, N.C.;  
**Robert W. Mervar**, Dublin, Ohio

*Primary Examiner*—Wallace R. Burke  
*Assistant Examiner*—Marcus Jackson  
*Attorney, Agent, or Firm*—Mueller and Smith

[73] Assignee: **Forerunner Corporation**, Columbus, Ohio

[57] **CLAIM**

[\*\*] Term: **14 Years**

The ornamental design for control console for signalling emergency services, as shown.

[21] Appl. No.: **642,383**

**DESCRIPTION**

[22] Filed: **Jan. 17, 1991**

[52] U.S. Cl. .... **D10/106; D14/100**

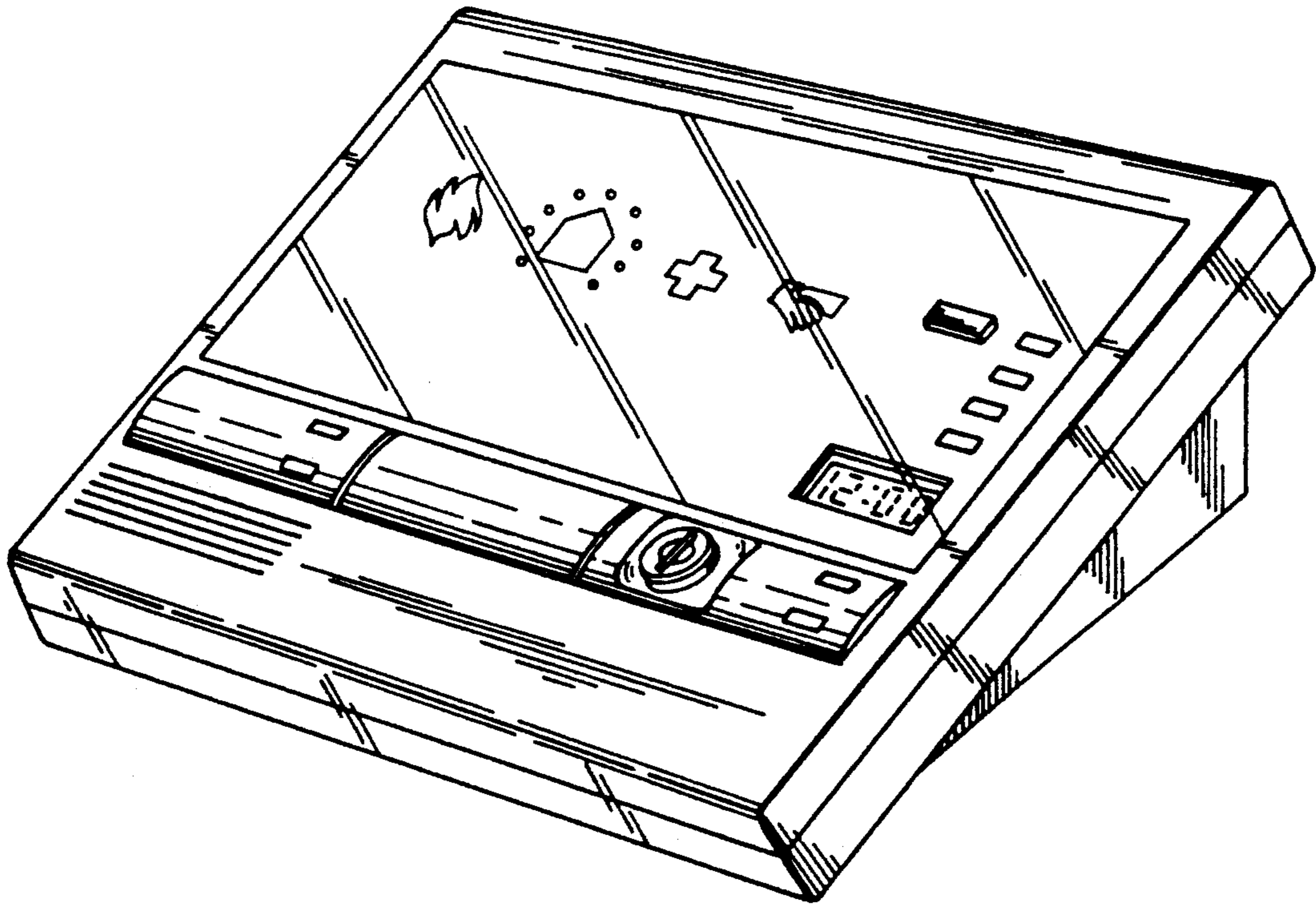
[58] Field of Search ..... **D10/104, 106, 109, 121; 340/540, 541, 542, 551, 577, 590, 555, 593, 627, 556, 584, 276, 277; D14/100, 140**

FIG. 1 is a perspective view of the control console for signalling emergency services showing our new design; FIG. 2 is a top view thereof; FIG. 3 is a front view thereof; FIG. 4 is a bottom view thereof; FIG. 5 is a rear view thereof; FIG. 6 is a right side elevational view thereof; and, FIG. 7 is a left side elevation view thereof.

[56] **References Cited**

**U.S. PATENT DOCUMENTS**

D. 283,406 4/1986 Green, Jr. .... D10/106



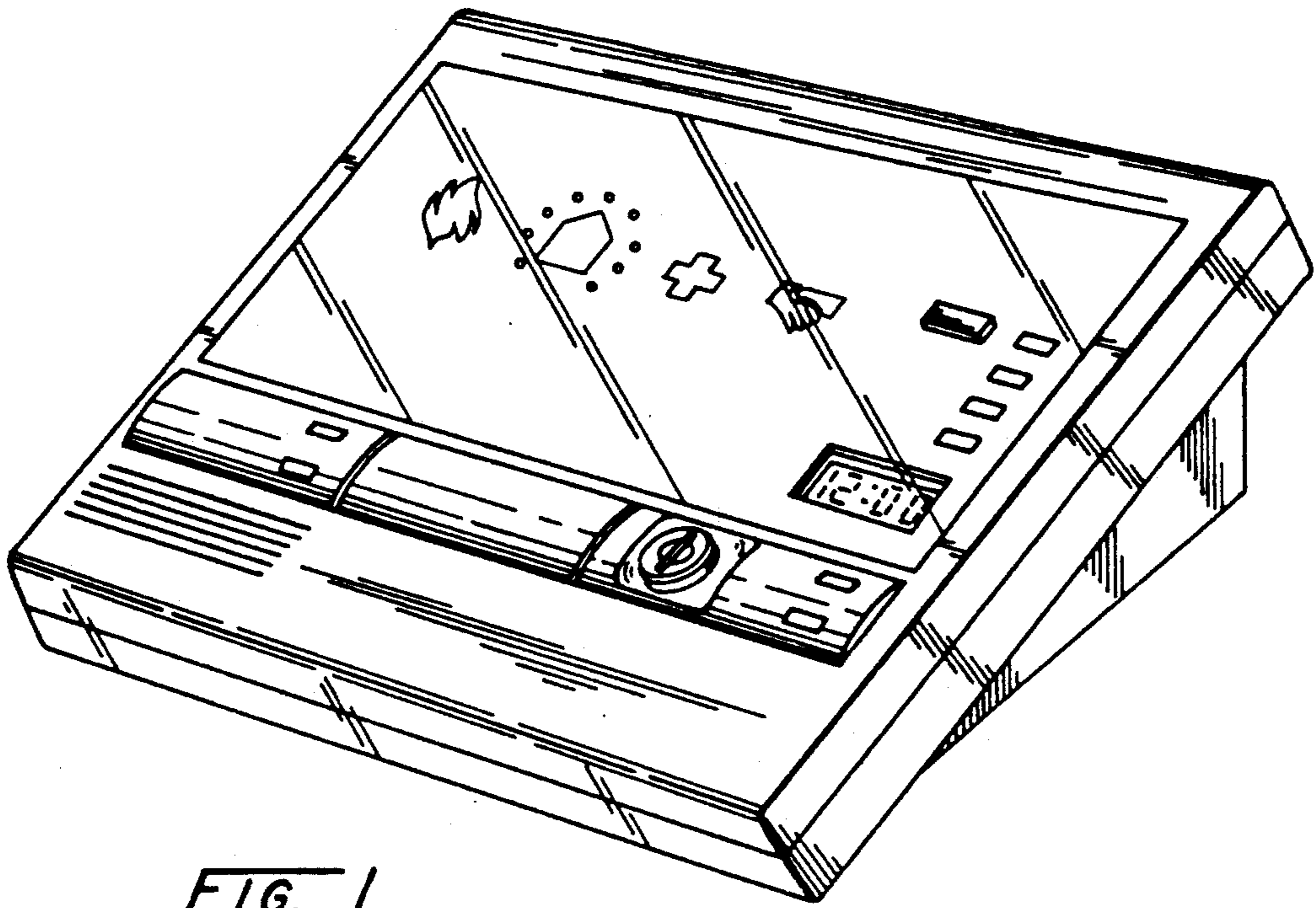


FIG. 1

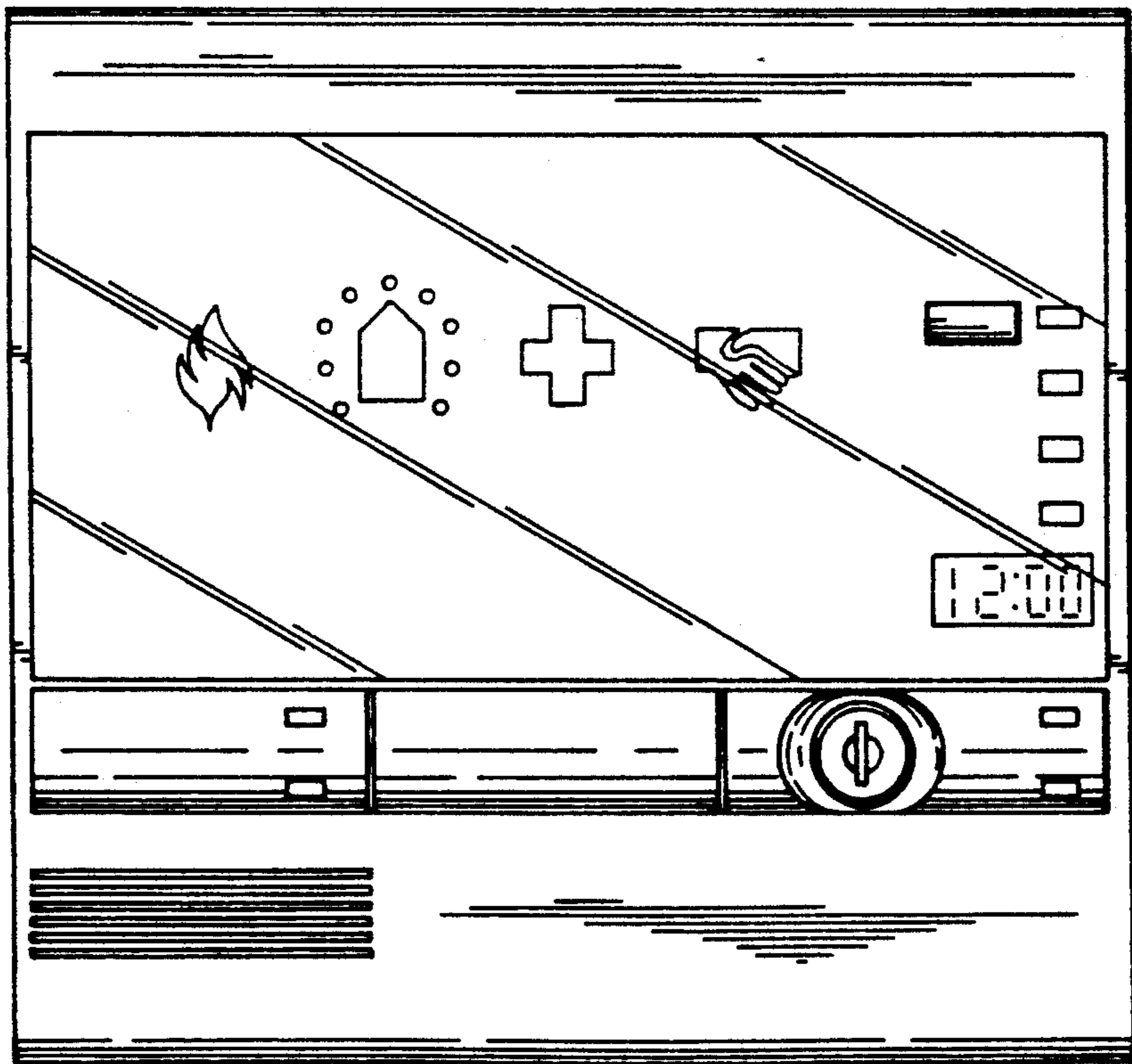


FIG. 2

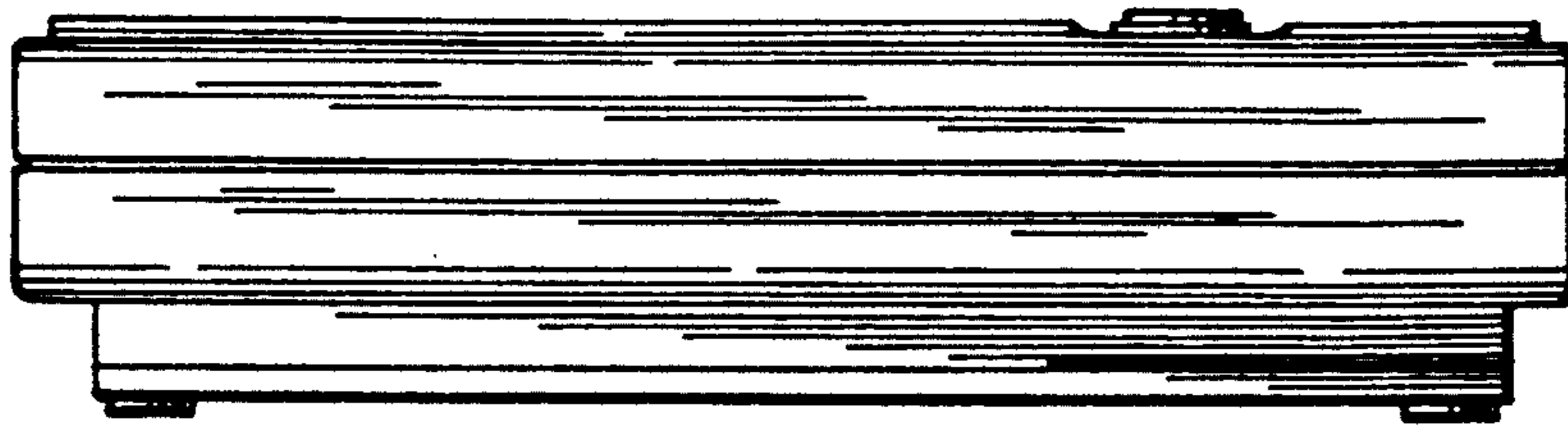


FIG. 3

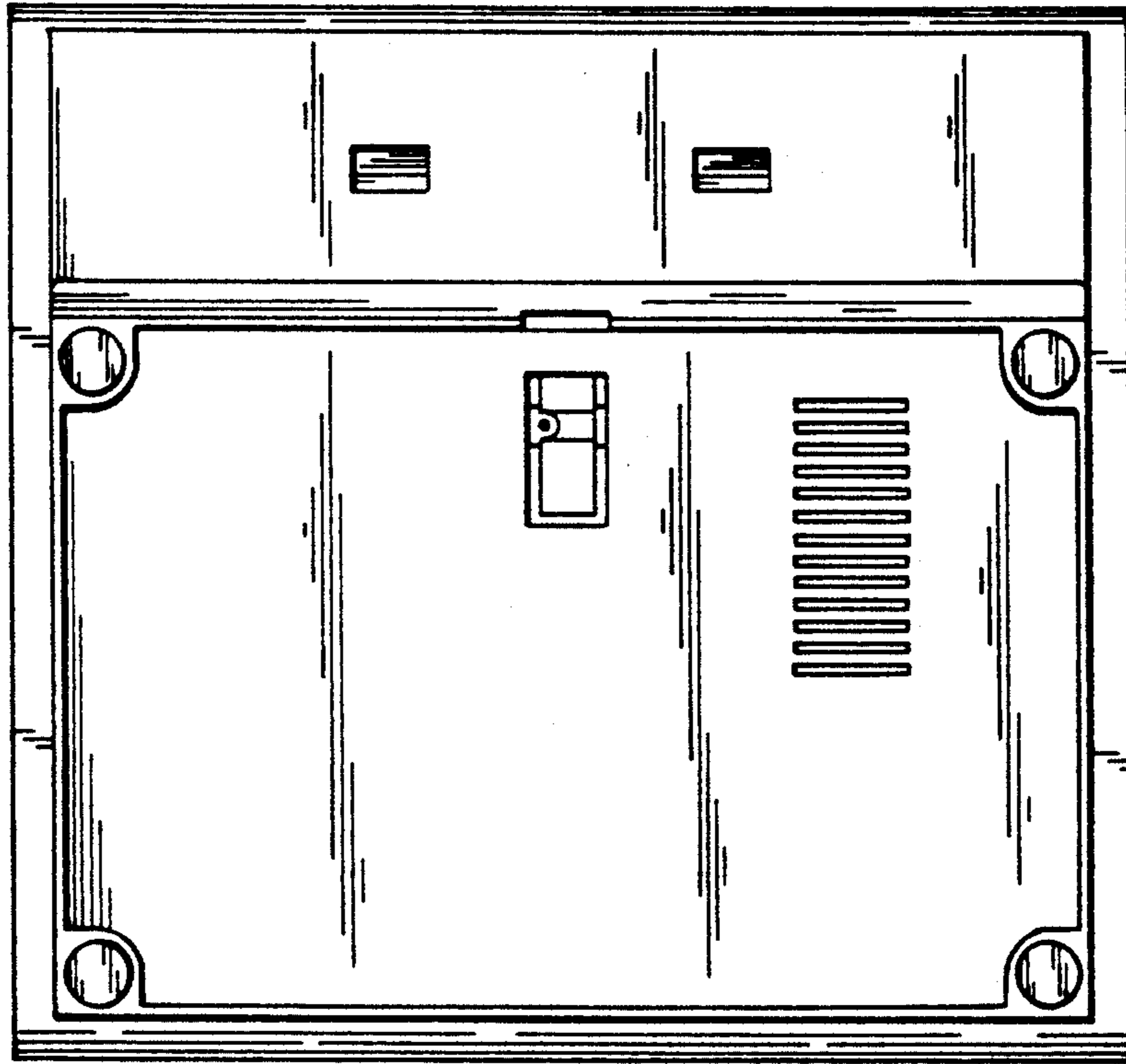


FIG. 4

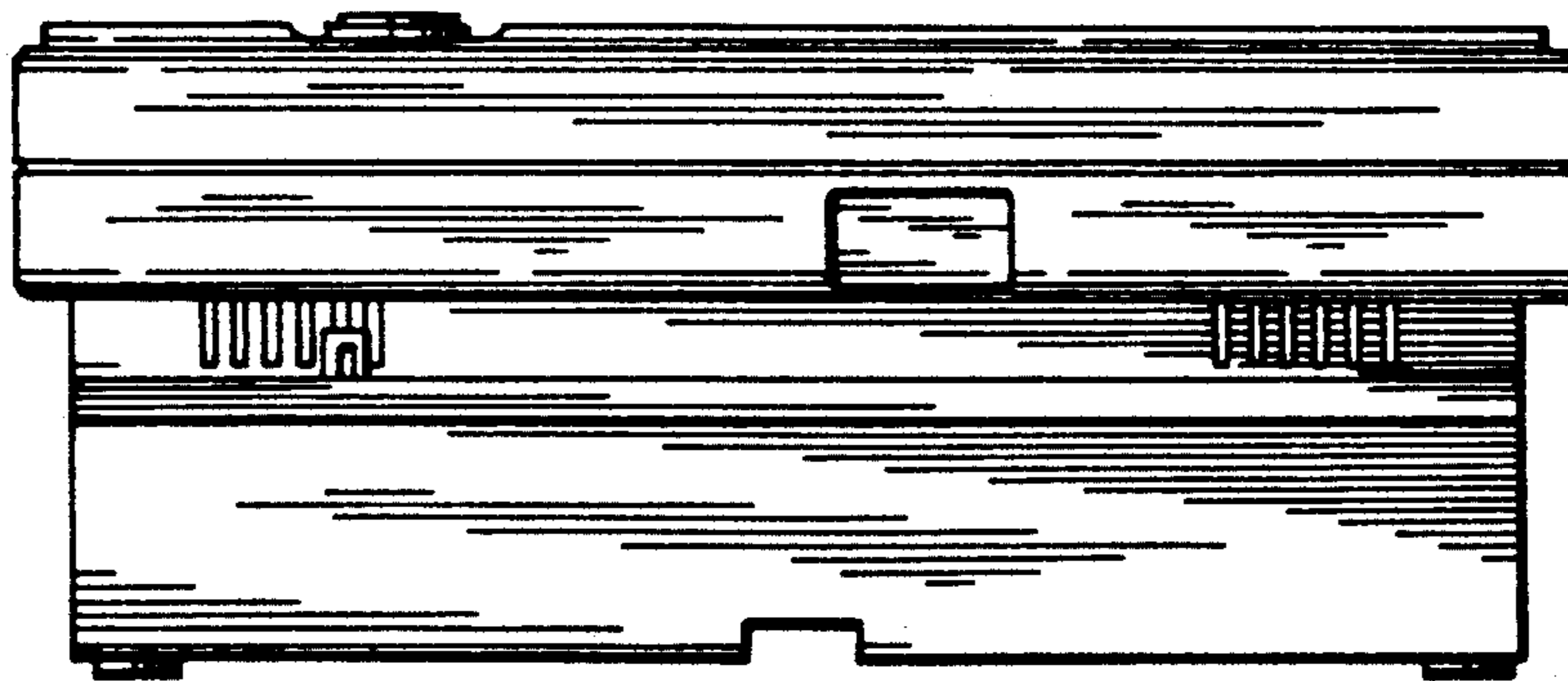


FIG. 5

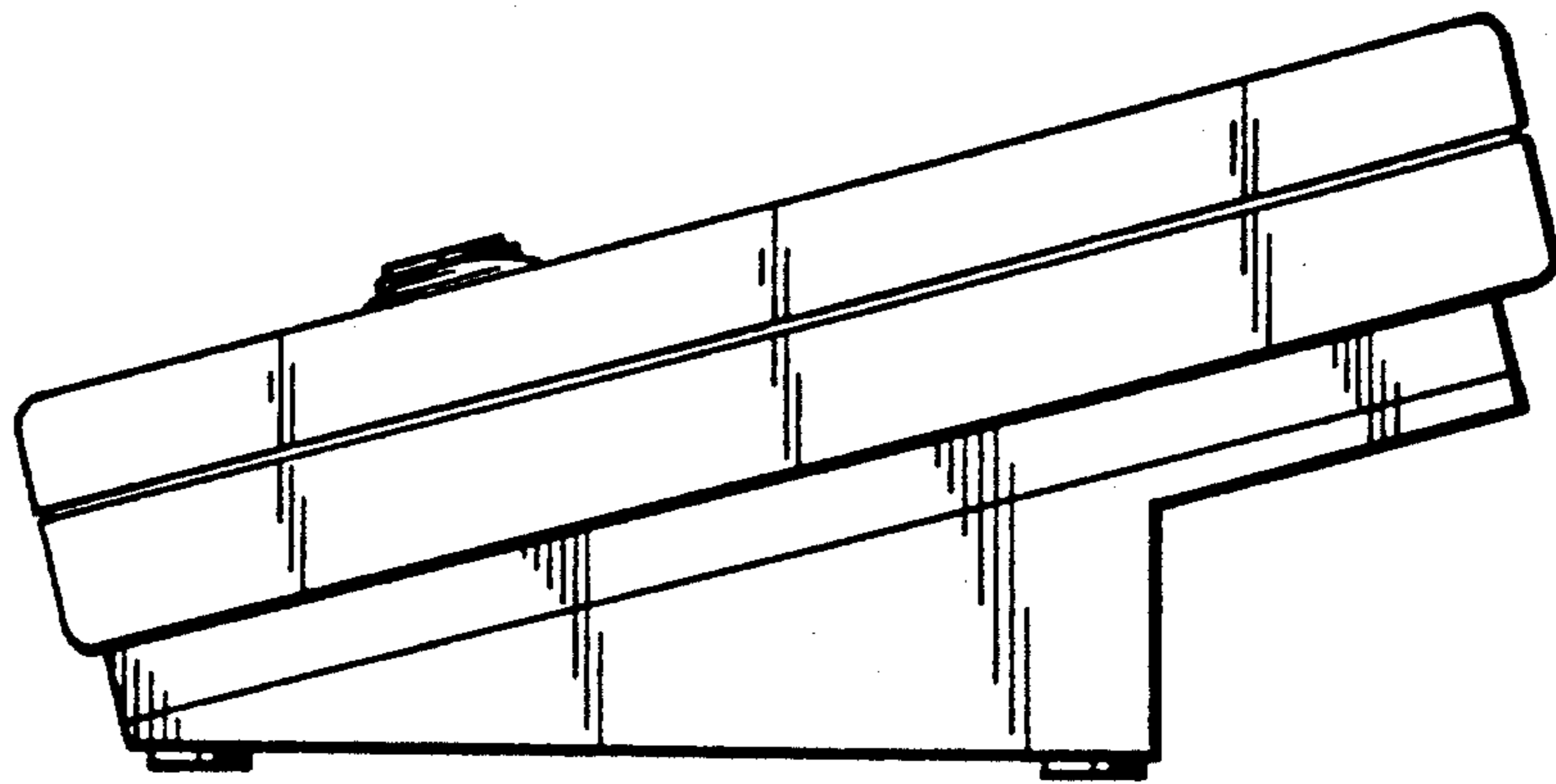


FIG. 6

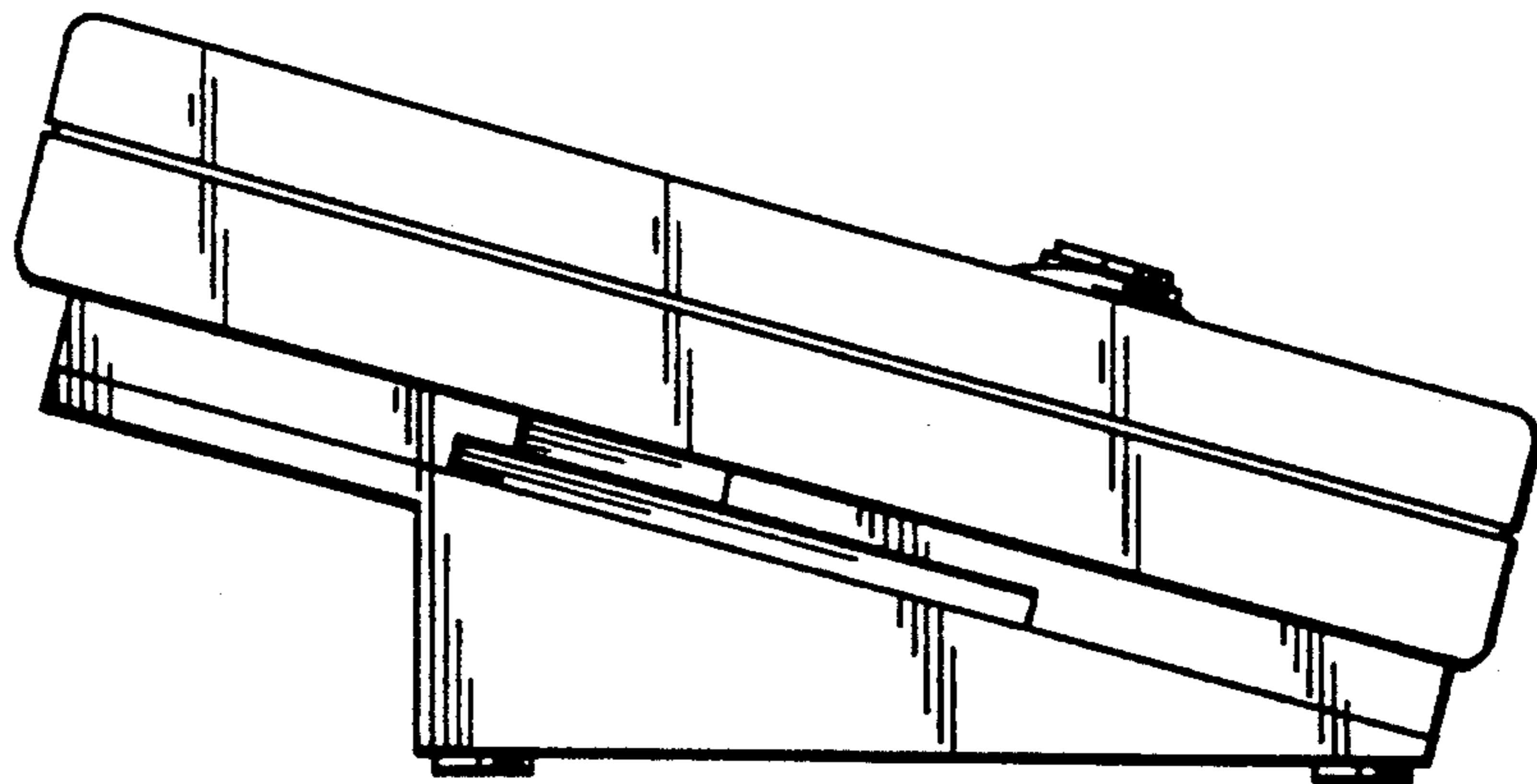


FIG. 7