



US00D336044S

United States Patent [19]

[11] Patent Number: **Des. 336,044**

Miller et al.

[45] Date of Patent: **** Jun. 1, 1993**

[54] SPOUT

[76] Inventors: **William E. Miller**, P.O. Box 605, Crawford, Ga. 30630; **Eugene Spray**, Rte. 1 Box 97, Arnoldsville, Ga. 30619

[**] Term: **14 Years**

[21] Appl. No.: **580,621**

[22] Filed: **Sep. 11, 1990**

[52] U.S. Cl. **D9/447; D9/434**

[58] Field of Search **D9/434, 447, 446; 222/566, 570, 571**

4,461,454 7/1984 Vadnais 222/566 X
4,600,125 7/1986 Maynard 222/529
4,620,647 11/1986 Woodworth et al. 222/566 X
4,832,238 5/1989 Taylor 222/529

Primary Examiner—Bernard Ansher
Assistant Examiner—Dominic Simone
Attorney, Agent, or Firm—Terry M. Gernstein

[57] CLAIM

The ornamental design for a spout, as shown and described.

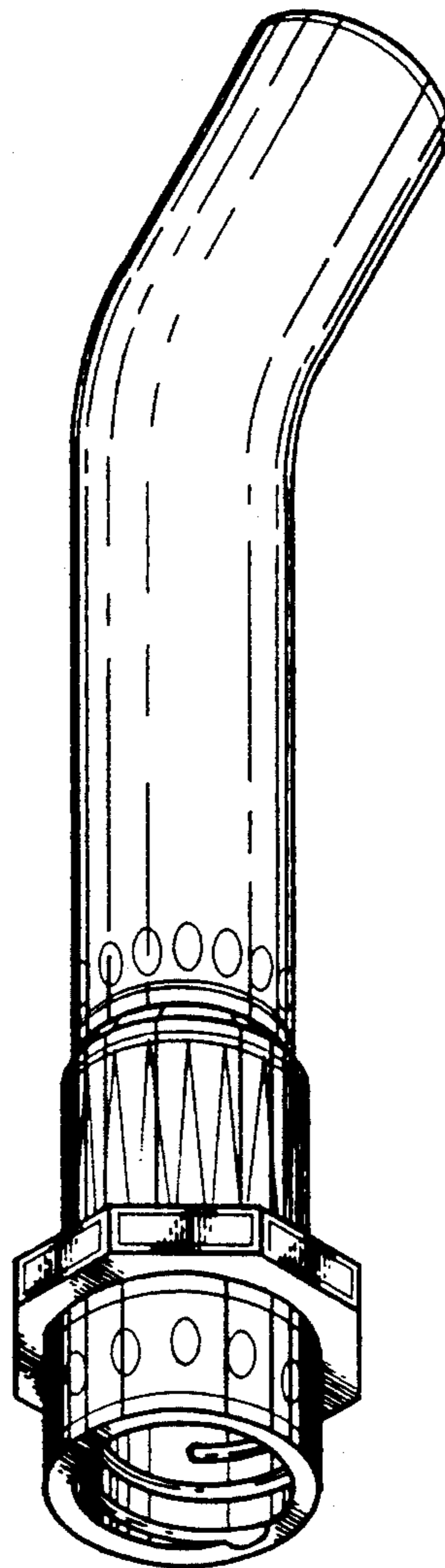
DESCRIPTION

FIG. 1 is a perspective view of a spout showing my new design;
FIG. 2 is a front elevational view thereof;
FIG. 3 is a rear elevational view thereof;
FIG. 4 is a side elevational view thereof, the opposite side being a mirror image;
FIG. 5 is a top plan view thereof; and,
FIG. 6 is a bottom view thereof.

[56] References Cited

U.S. PATENT DOCUMENTS

D. 182,940 5/1958 Williams D9/446
D. 318,233 7/1991 Ackerman D9/434 X
3,093,274 6/1963 Galbierz 222/566
4,426,027 1/1984 Maynard 222/529



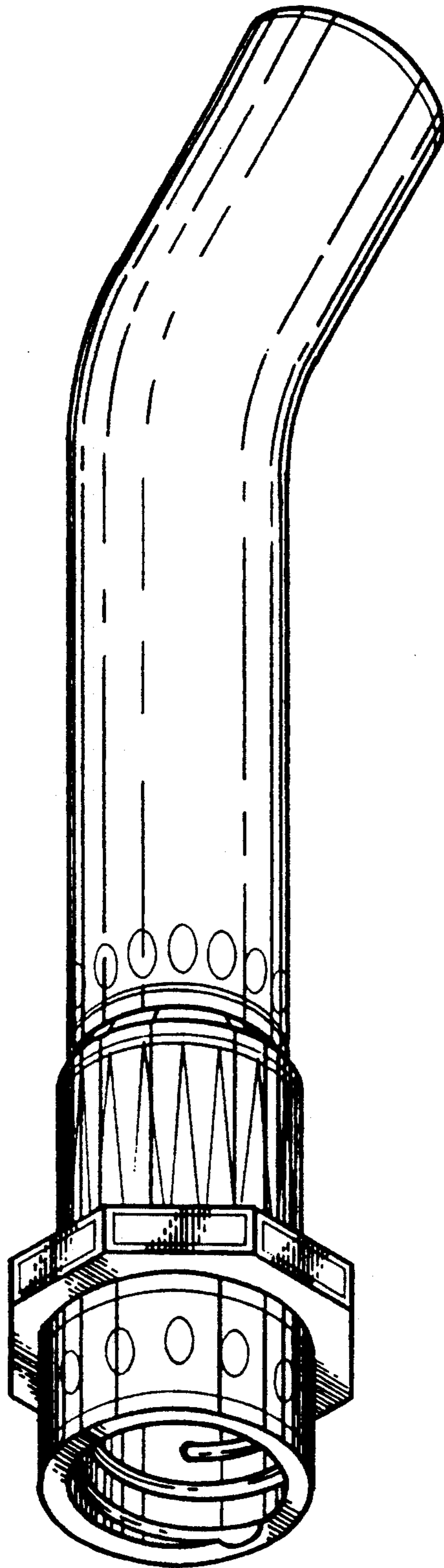


FIG. 1

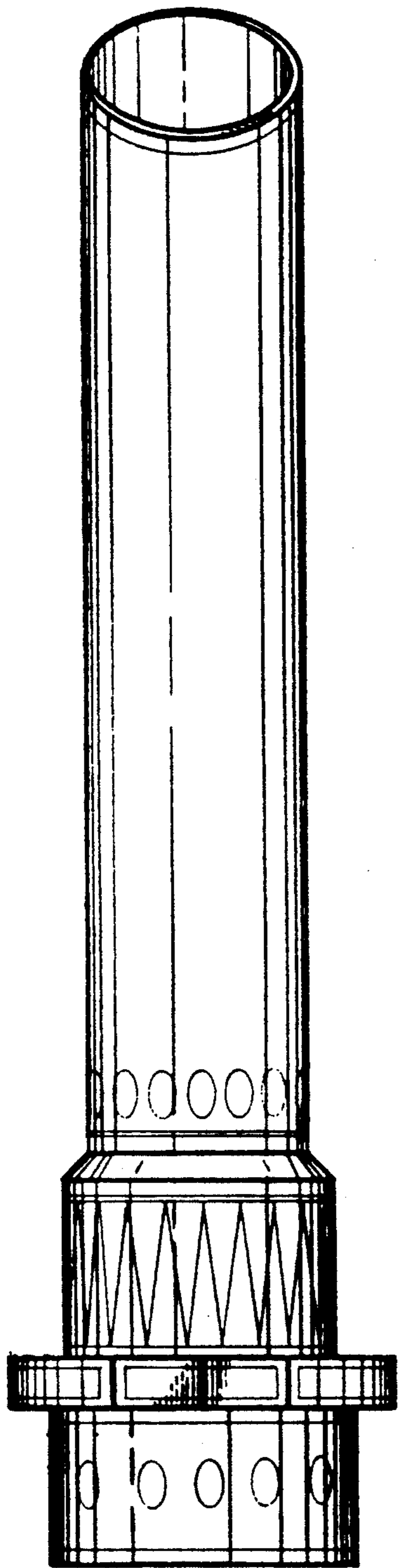


FIG. 2

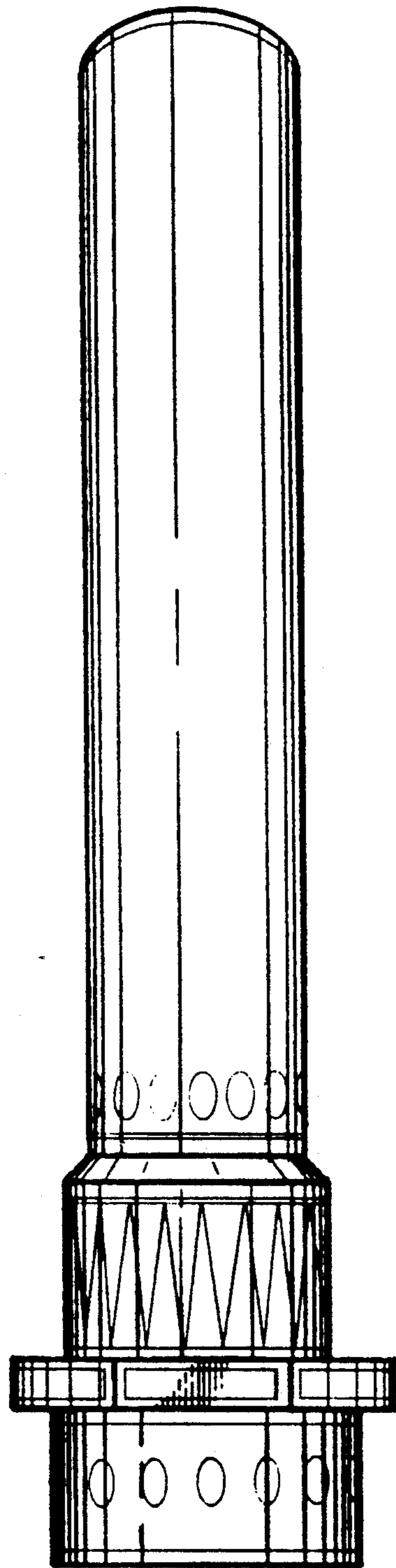


FIG. 3

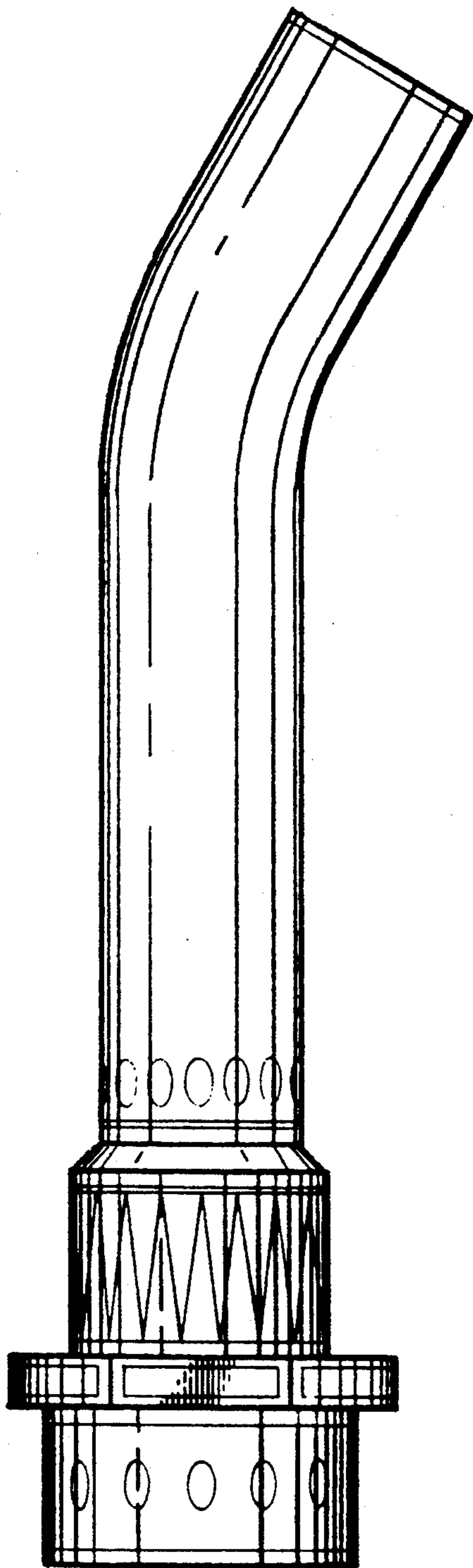


FIG. 4

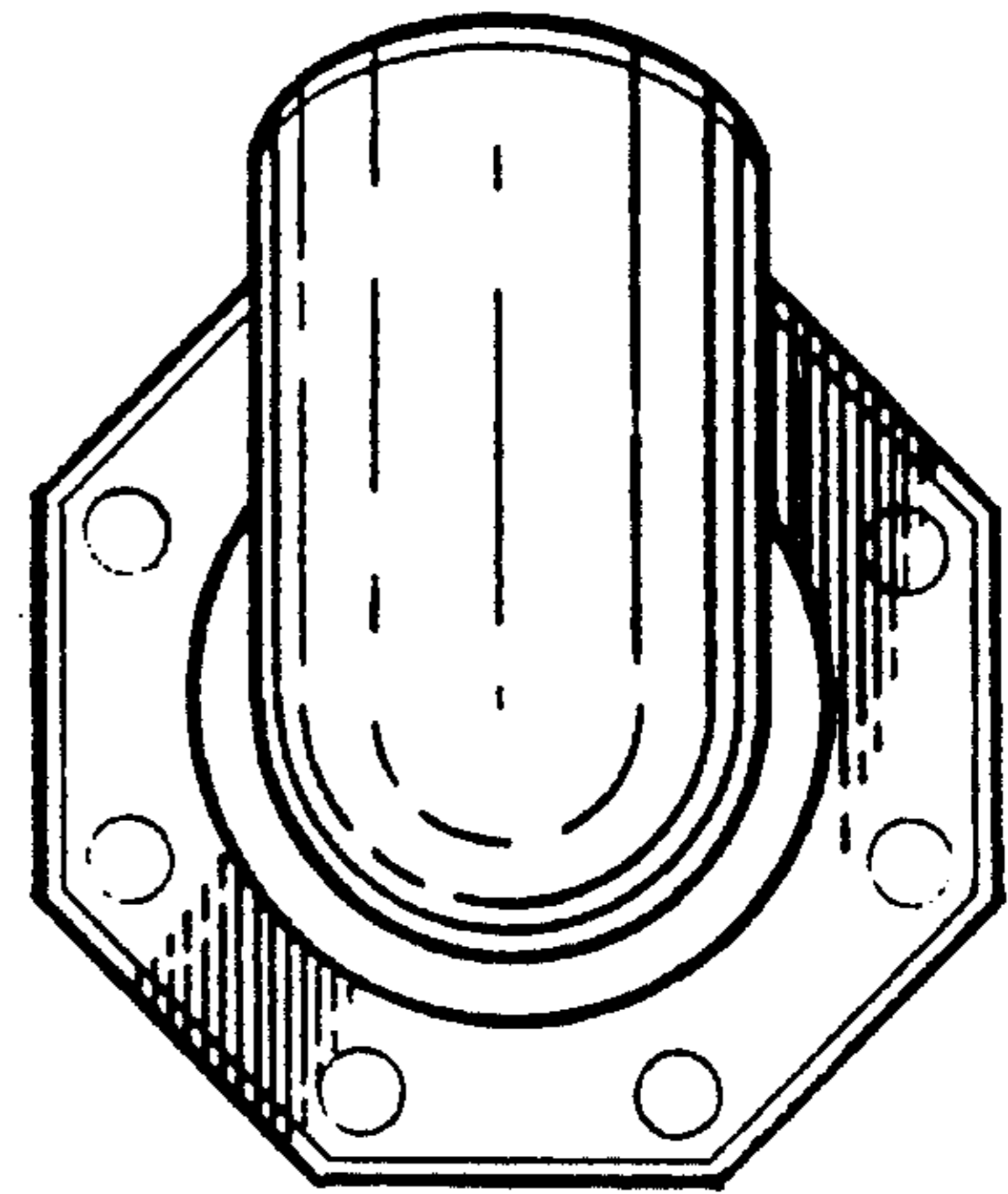


FIG. 5

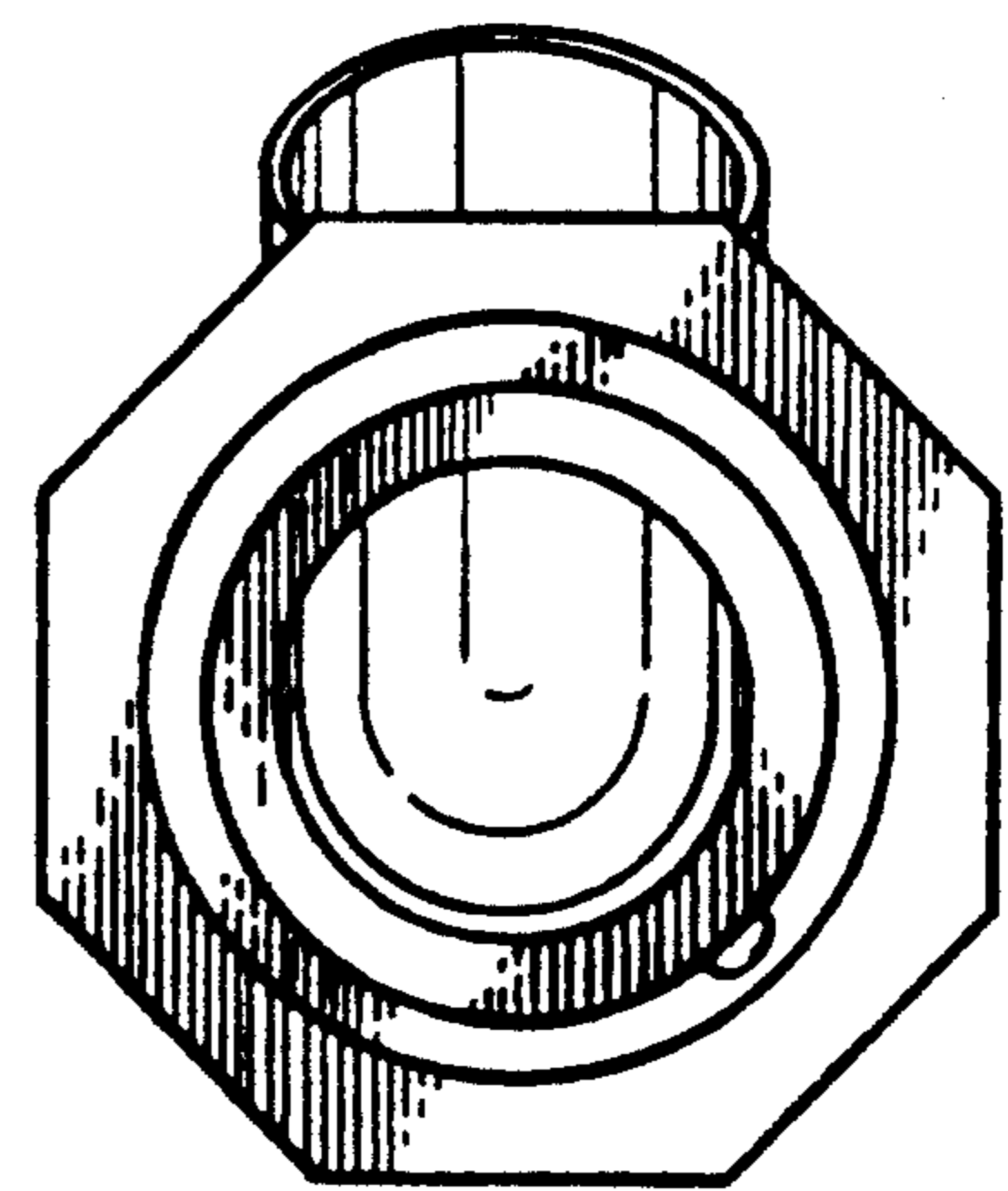


FIG. 6