



US00D336043S

United States Patent [19]
Provencio

[11] **Patent Number:** **Des. 336,043**
[45] **Date of Patent:** **** Jun. 1, 1993**

[54] **BEVERAGE CONTAINER COVER**

[76] **Inventor:** **David A. Provencio**, 11651 Mt Lassen Ct., Alta Loma, Calif. 91701

[**] **Term:** **14 Years**

[21] **Appl. No.:** **676,228**

[22] **Filed:** **Mar. 27, 1991**

[52] **U.S. Cl.** **D9/436; D7/54; D7/300.2; D7/447**

[58] **Field of Search** **D9/435, 436, 447; D7/510, 511, 300-302; D12/114; 215/229**

[56] **References Cited**

U.S. PATENT DOCUMENTS

- D. 164,193 8/1951 Medgyer D9/436 X
- D. 318,427 7/1991 Sherbrune, Jr. D9/434 X
- D. 324,824 3/1992 Hansen D9/447 X
- 2,052,307 8/1936 Kennedy 215/229 X
- 3,729,136 4/1973 Friedman D7/300.2 X

- 4,631,715 12/1986 Hoover D7/300.2 X
- 4,715,359 12/1987 Ryo .
- 4,755,477 5/1988 Wofford .

Primary Examiner—Bernard Ansher
Assistant Examiner—Dominic Simone
Attorney, Agent, or Firm—Terry M. Gernstein

[57] **CLAIM**

The ornamental design for a beverage container cover, as shown and described.

DESCRIPTION

FIG. 1 is a perspective view of a beverage container cover showing my new design;
FIG. 2 is a front elevational view thereof, the rear being a mirror image;
FIG. 3 is a side elevational view thereof, the opposite side being a mirror image;
FIG. 4 is a top plan view thereof; and,
FIG. 5 is a bottom view thereof.

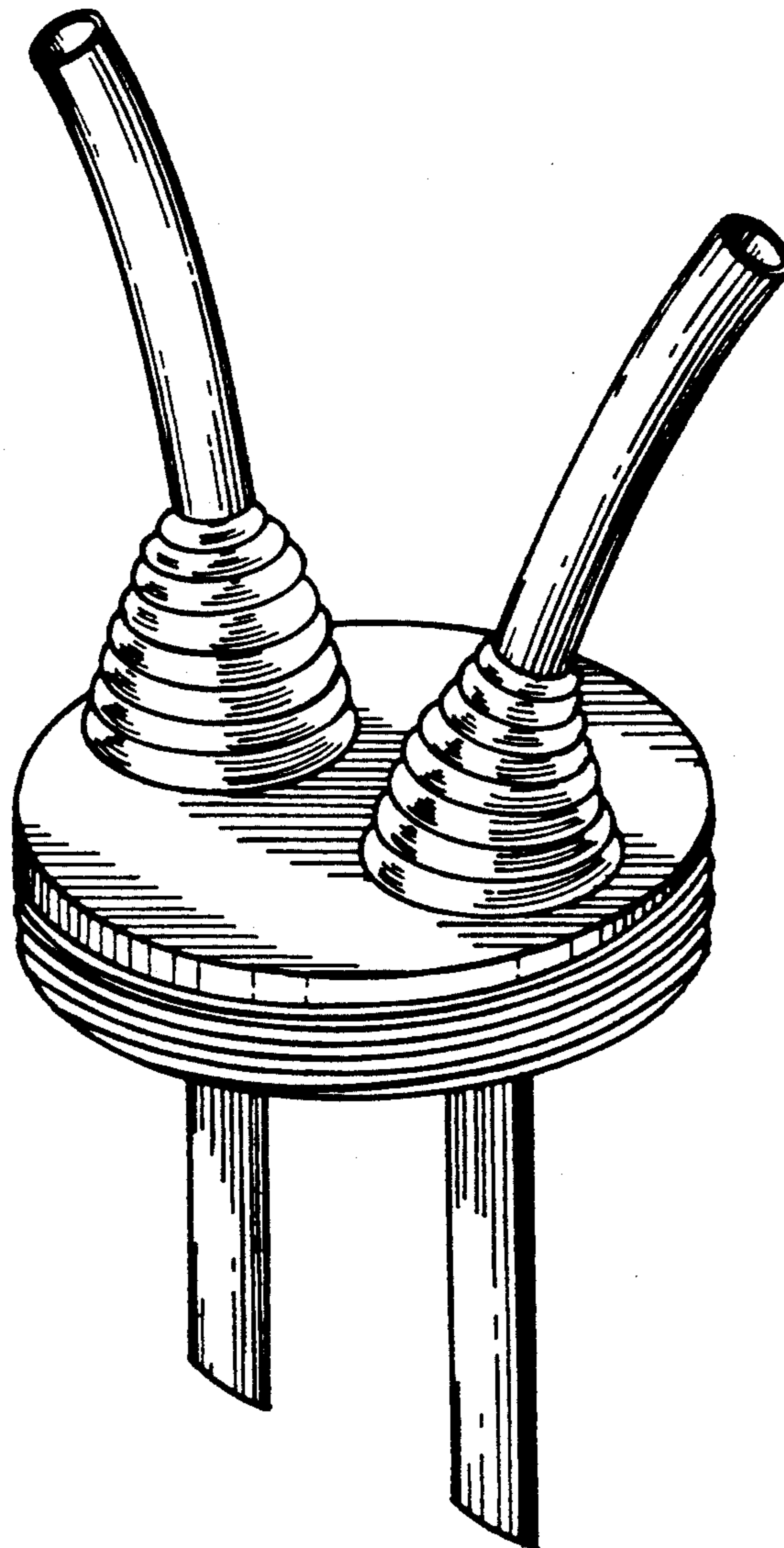


FIG. 1

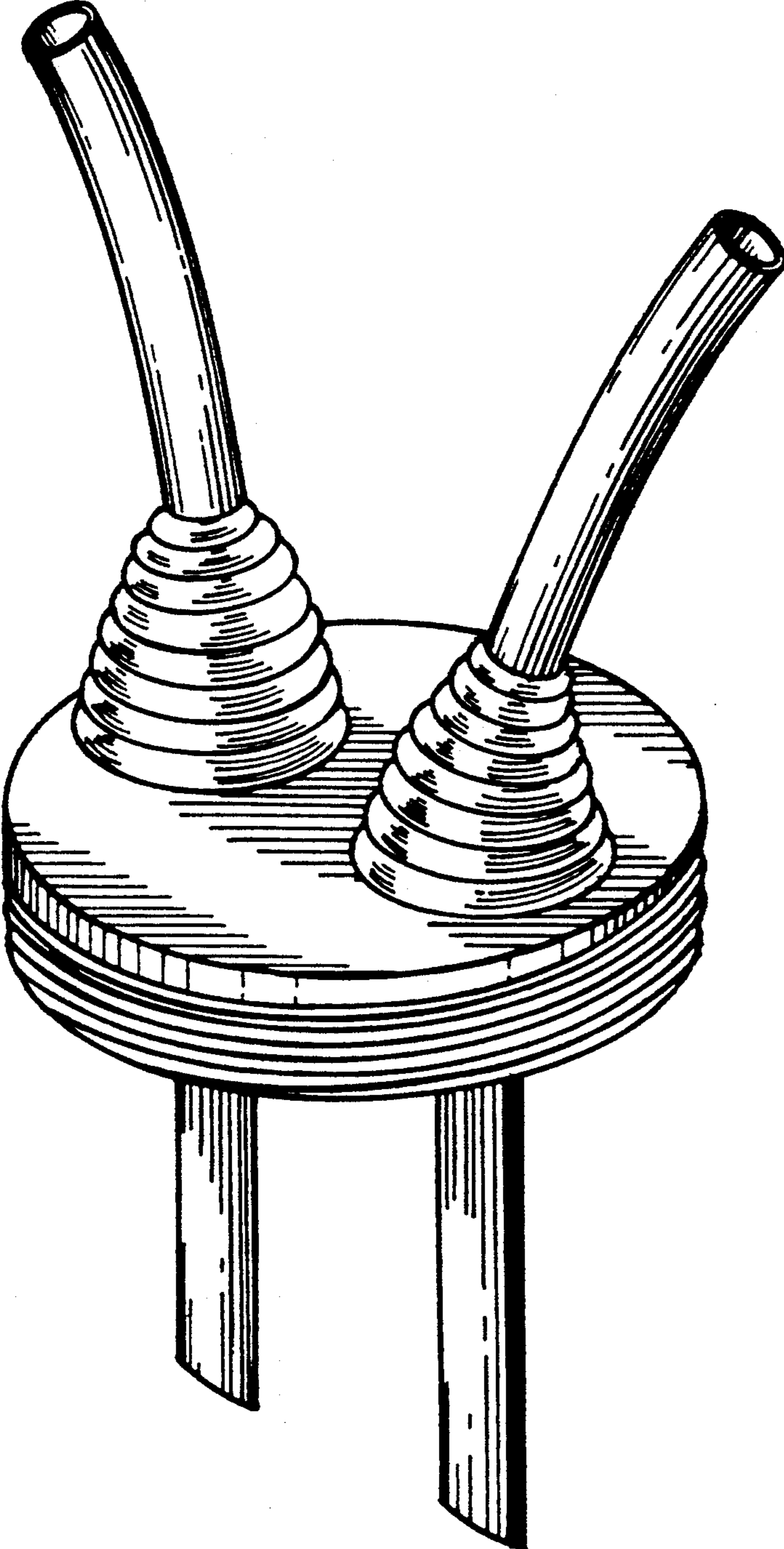


FIG. 3

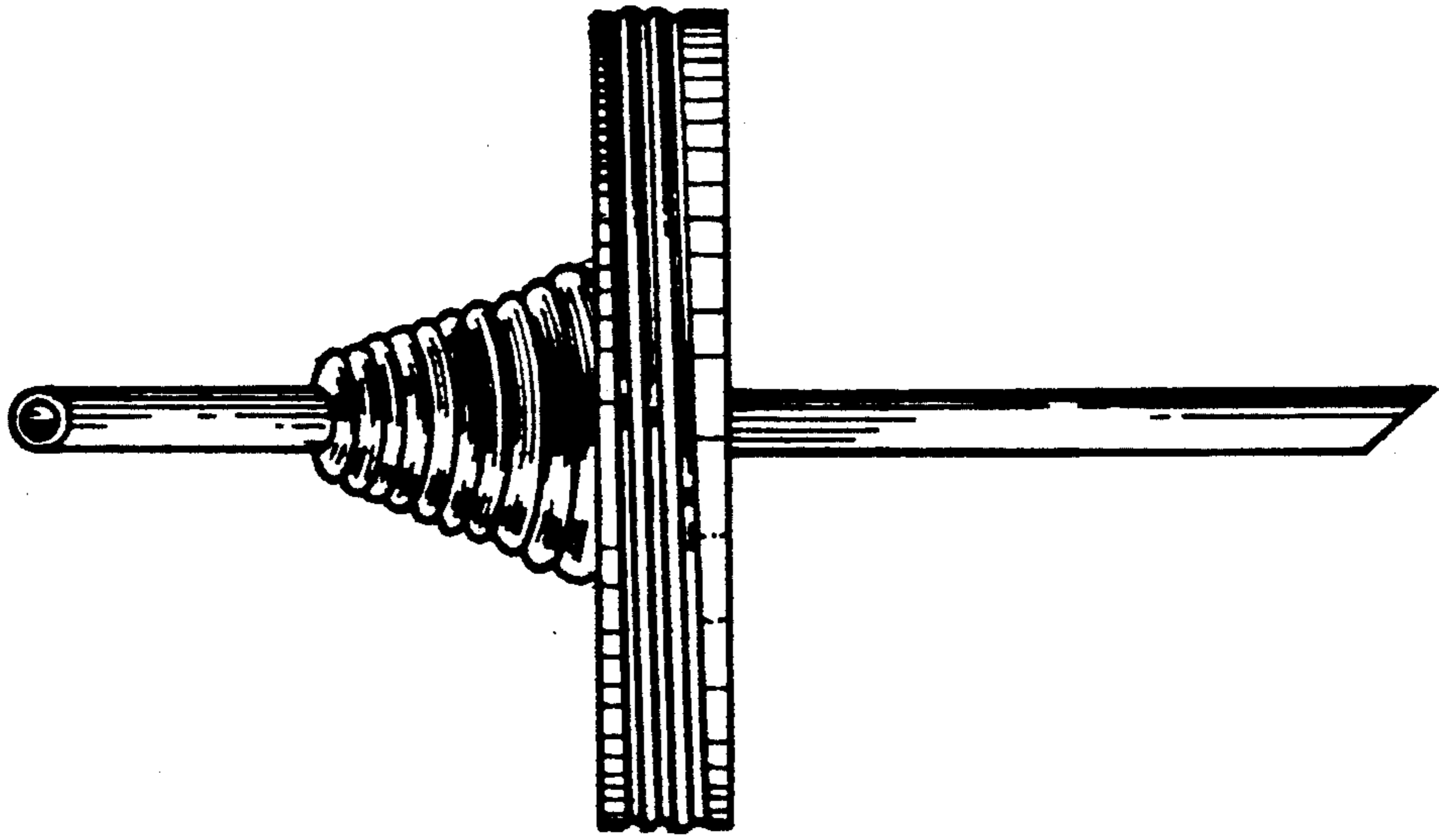
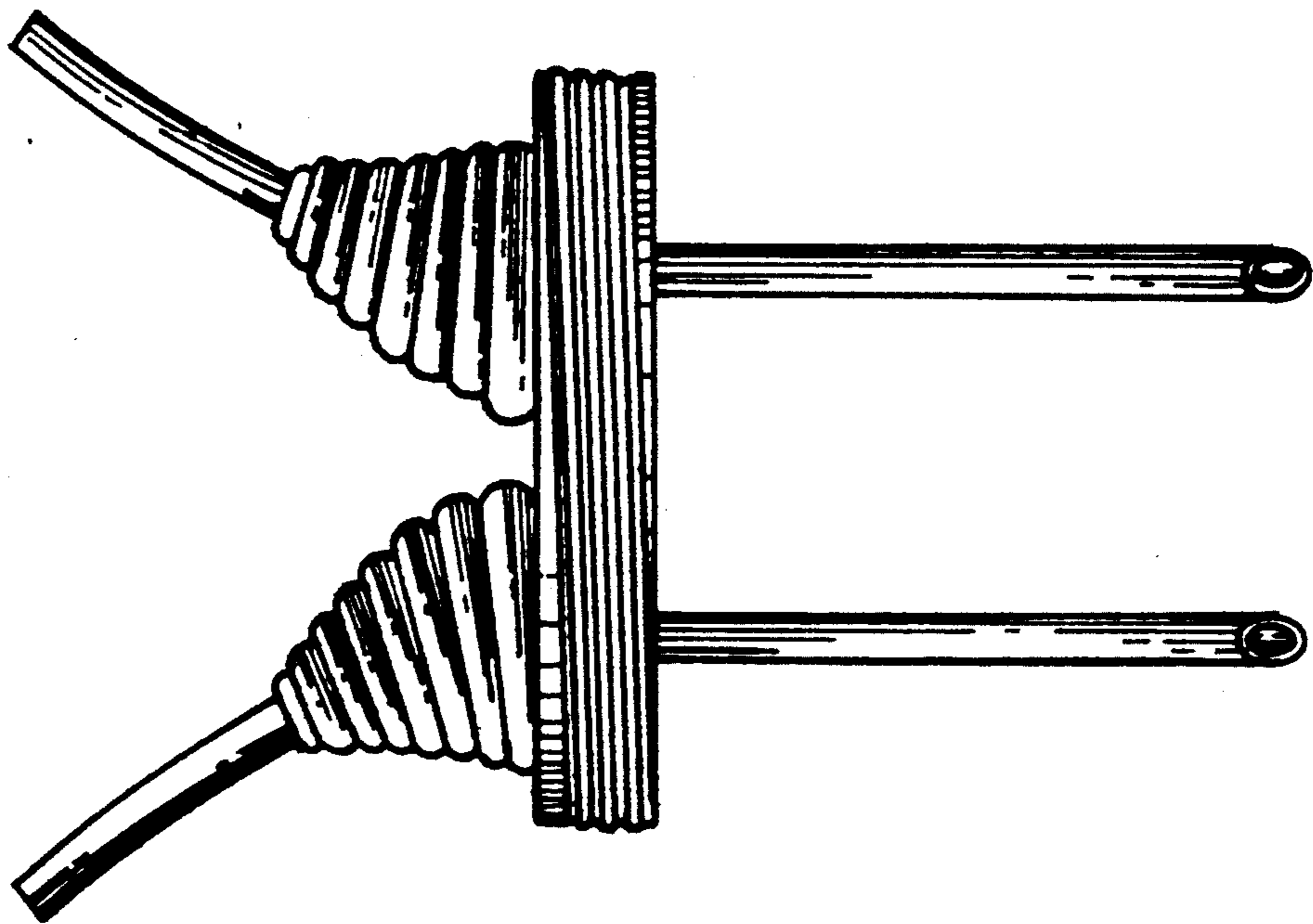


FIG. 2



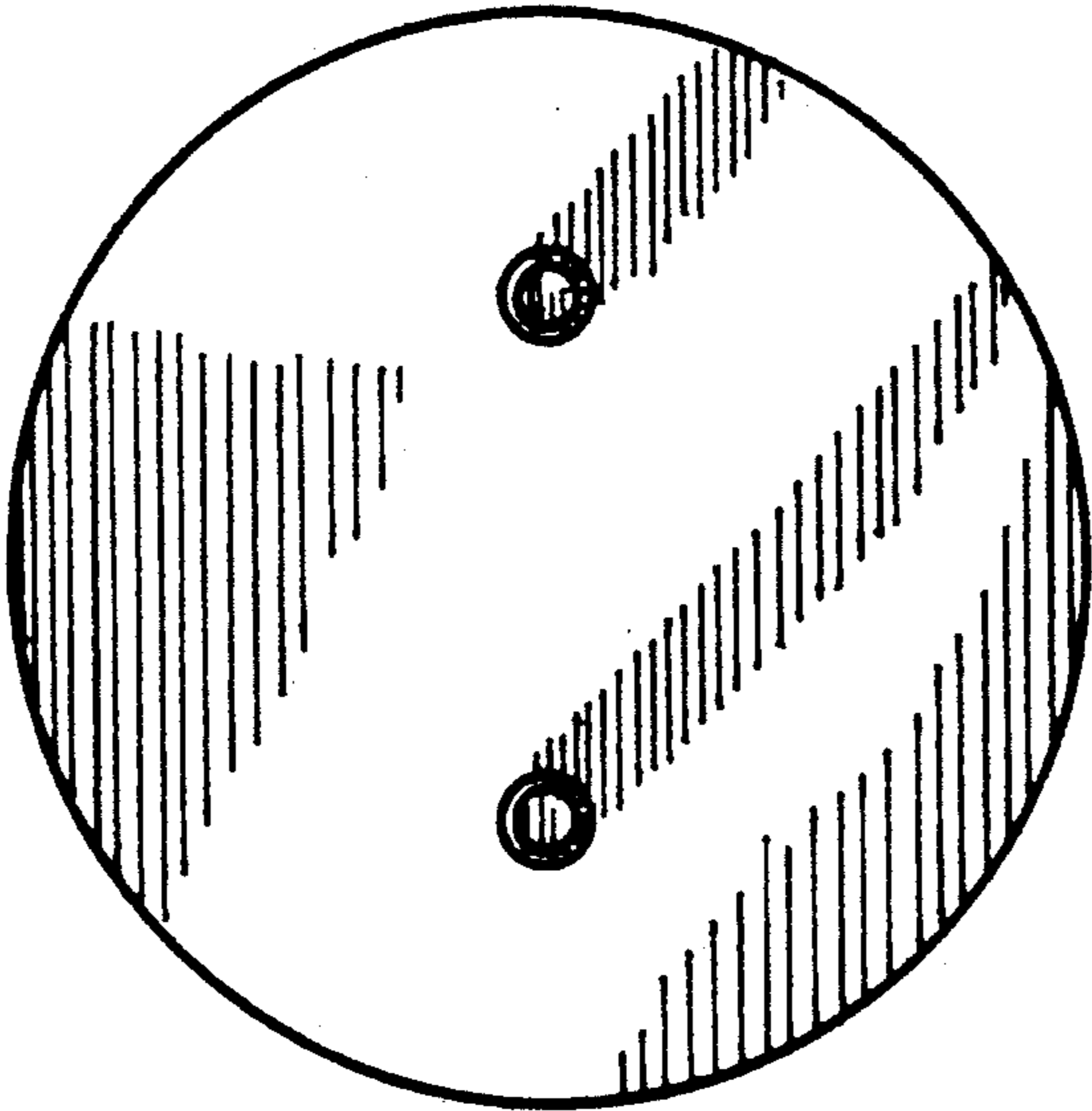


FIG. 5

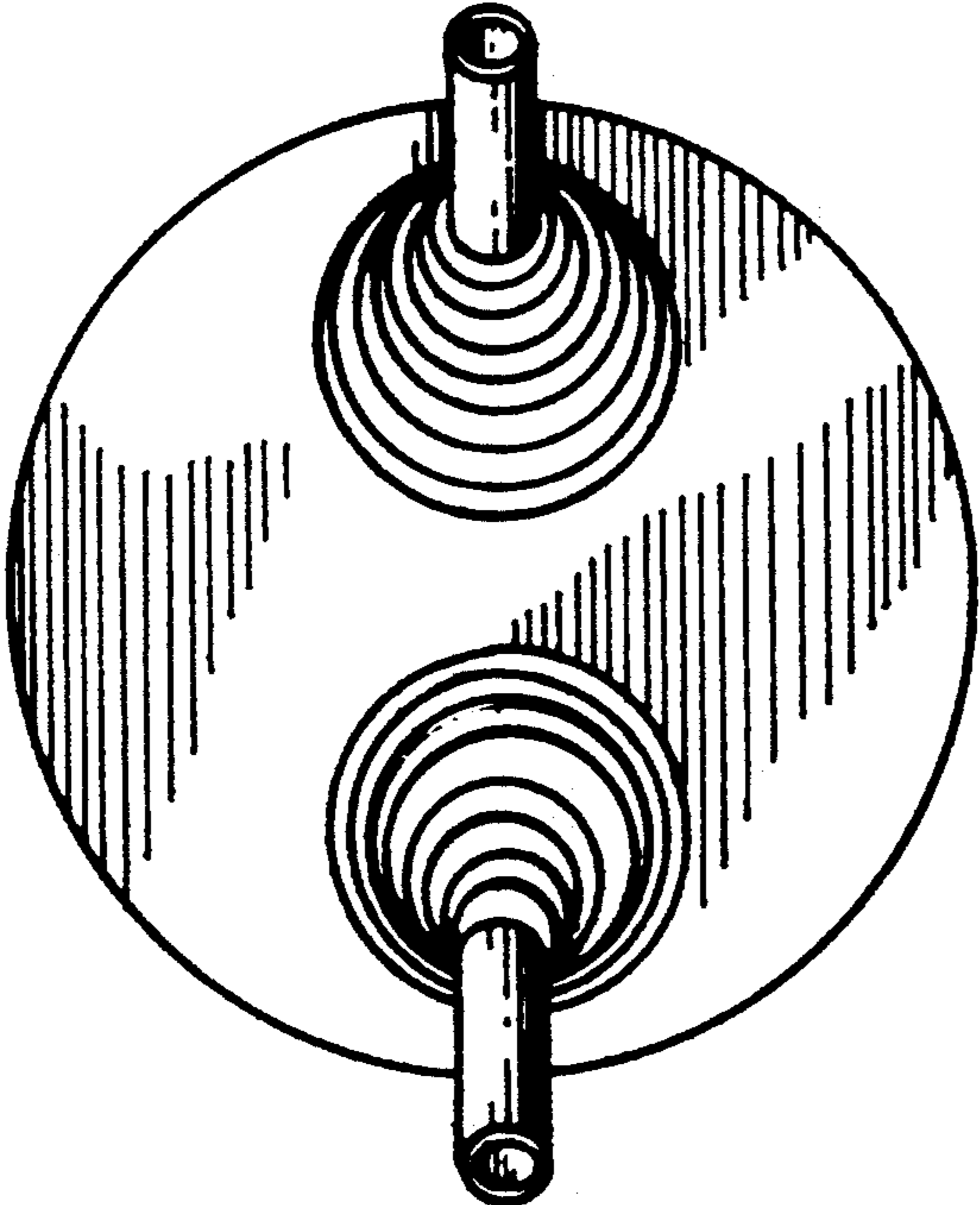


FIG. 4