



US00D336042S

# United States Patent [19]

[11] Patent Number: **Des. 336,042**

**Bondanza**

[45] Date of Patent: **\*\* Jun. 1, 1993**

## [54] SELF-CLOSING BOTTLE CAP

[76] Inventor: **Bradley L. Bondanza**, 2969 Forest Cir., Seffner, Fla. 33584

[\*\*] Term: **14 Years**

[21] Appl. No.: **626,167**

[22] Filed: **Dec. 12, 1990**

[52] U.S. Cl. .... **D9/435**

[58] Field of Search ..... **D9/435, 454, 447; 222/500; 215/266**

## FOREIGN PATENT DOCUMENTS

71180 9/1915 Fed. Rep. of Germany .  
630578 11/1977 Switzerland .

*Primary Examiner*—Bernard Ansher  
*Assistant Examiner*—Dominic Simone  
*Attorney, Agent, or Firm*—Terry M. Gernstein

## [57] CLAIM

The ornamental design for a self-closing bottle cap, as shown and described.

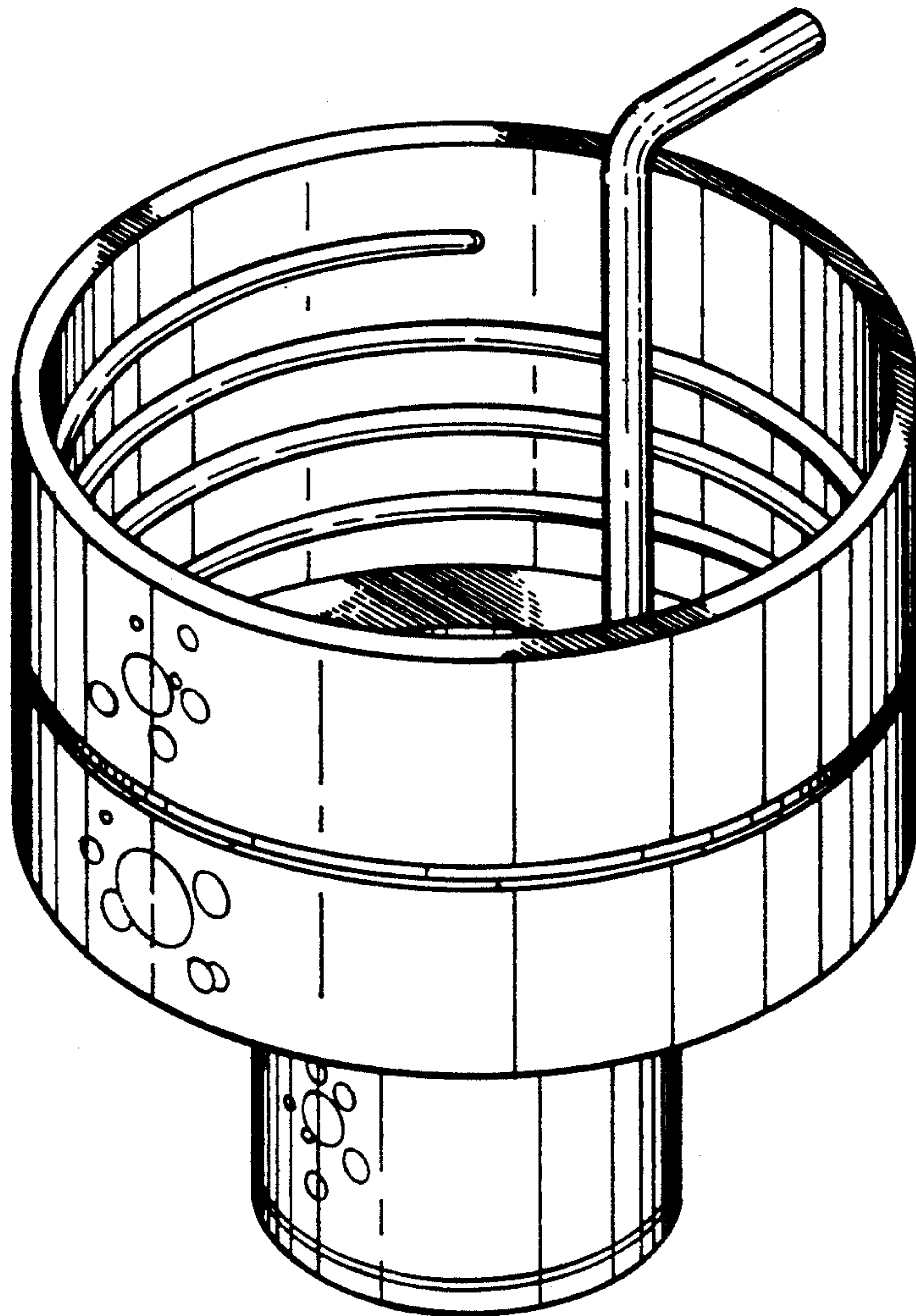
## DESCRIPTION

FIG. 1 is a perspective view of a self-closing bottle cap showing my new design;  
FIG. 2 is a bottom perspective view thereof;  
FIG. 3 is a front elevational view thereof;  
FIG. 4 is a rear elevational view thereof;  
FIG. 5 is a side elevational view thereof;  
FIG. 6 is a side elevational view thereof;  
FIG. 7 is a top plan view thereof; and,  
FIG. 8 is a bottom view thereof.

## [56] References Cited

### U.S. PATENT DOCUMENTS

D. 68,724	11/1925	Marwede	.....	D9/435
D. 181,337	11/1957	Beall, Jr.	.....	D9/447
D. 286,860	11/1986	Diefede	.....	D9/435
2,425,313	8/1947	Hammerstein	.....	222/500
3,779,429	12/1973	Porcelli	.	
3,993,284	1/1976	Guala	.	
4,438,869	3/1984	Vierkotter	.	



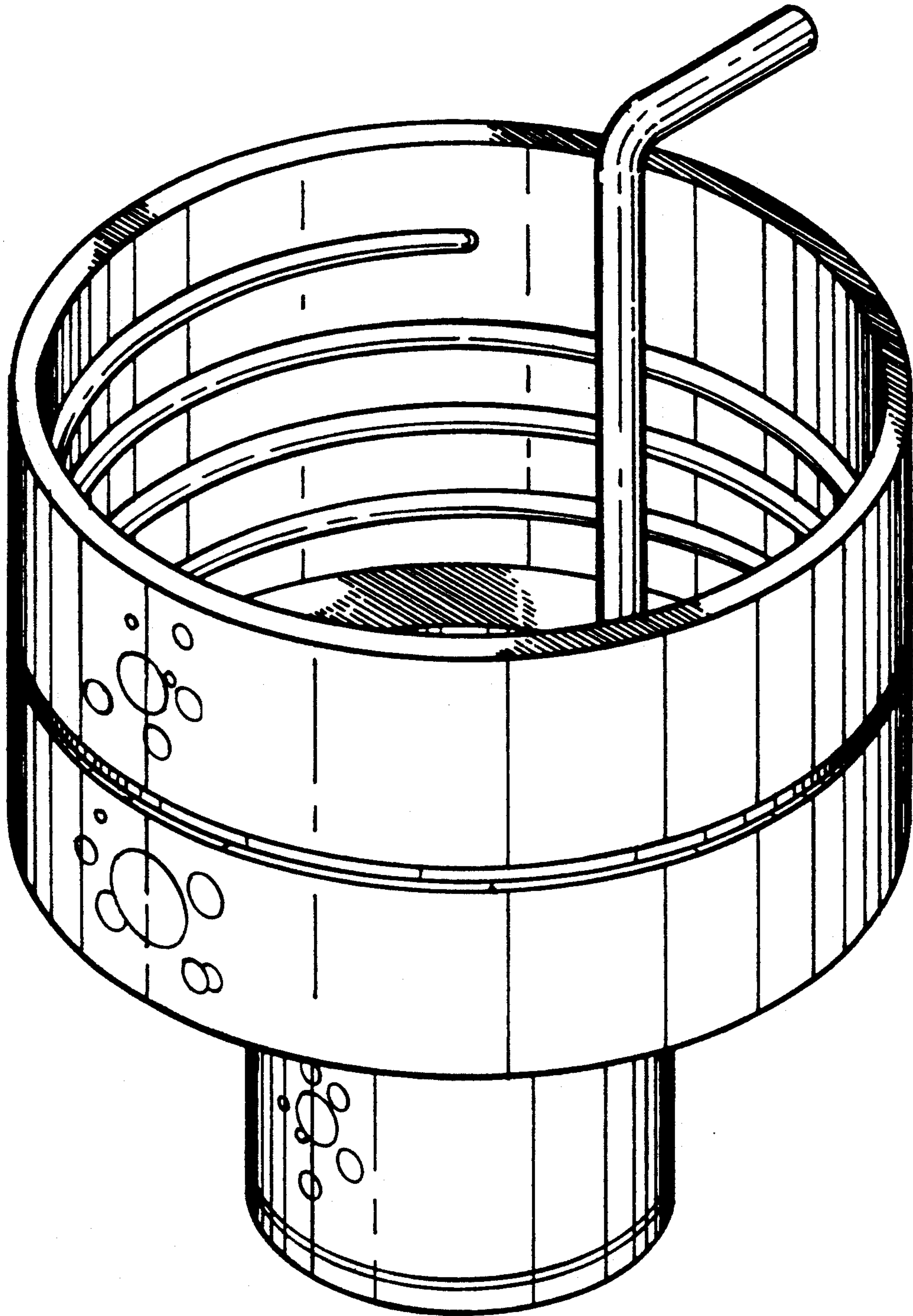


FIG. 1

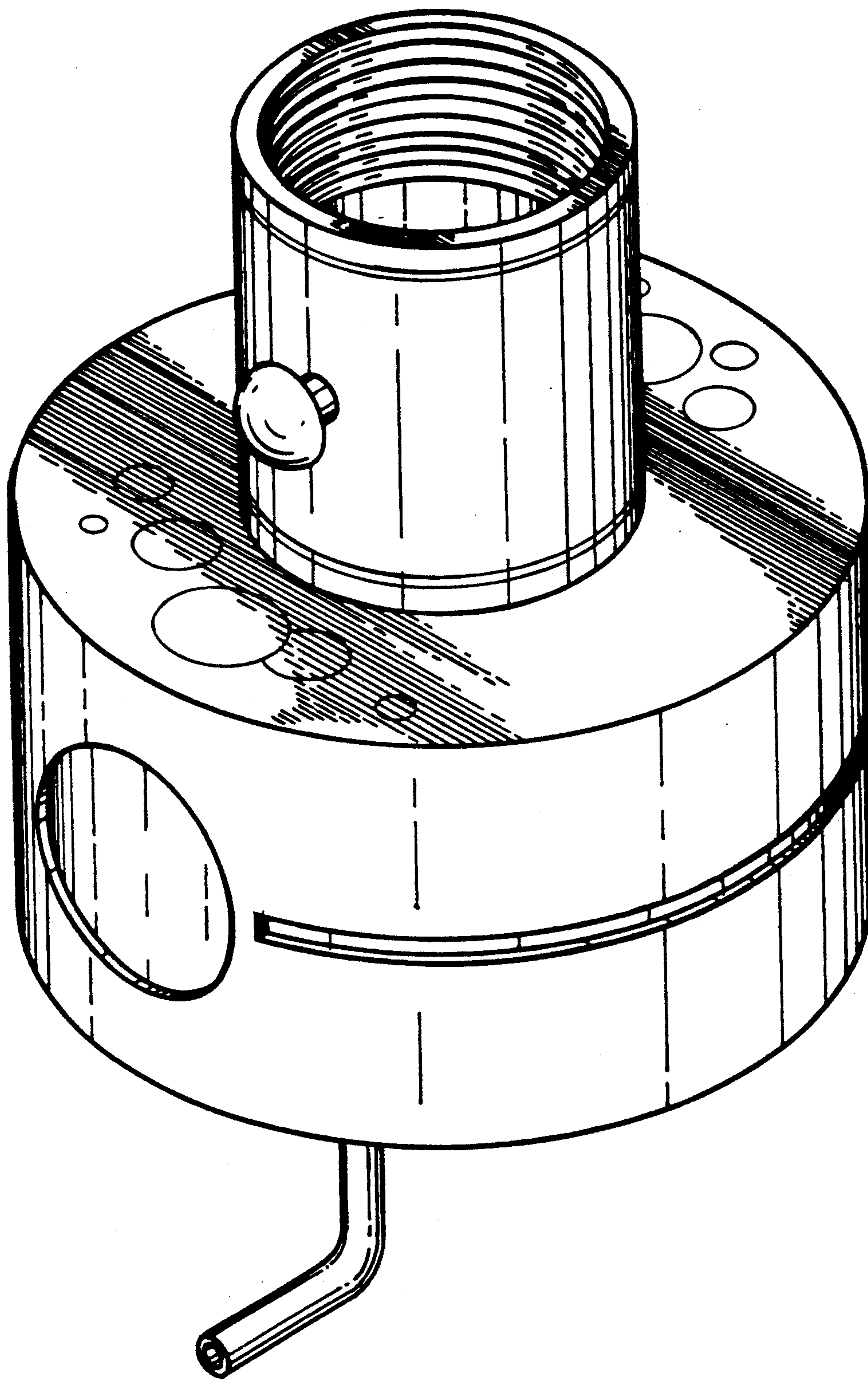


FIG. 2



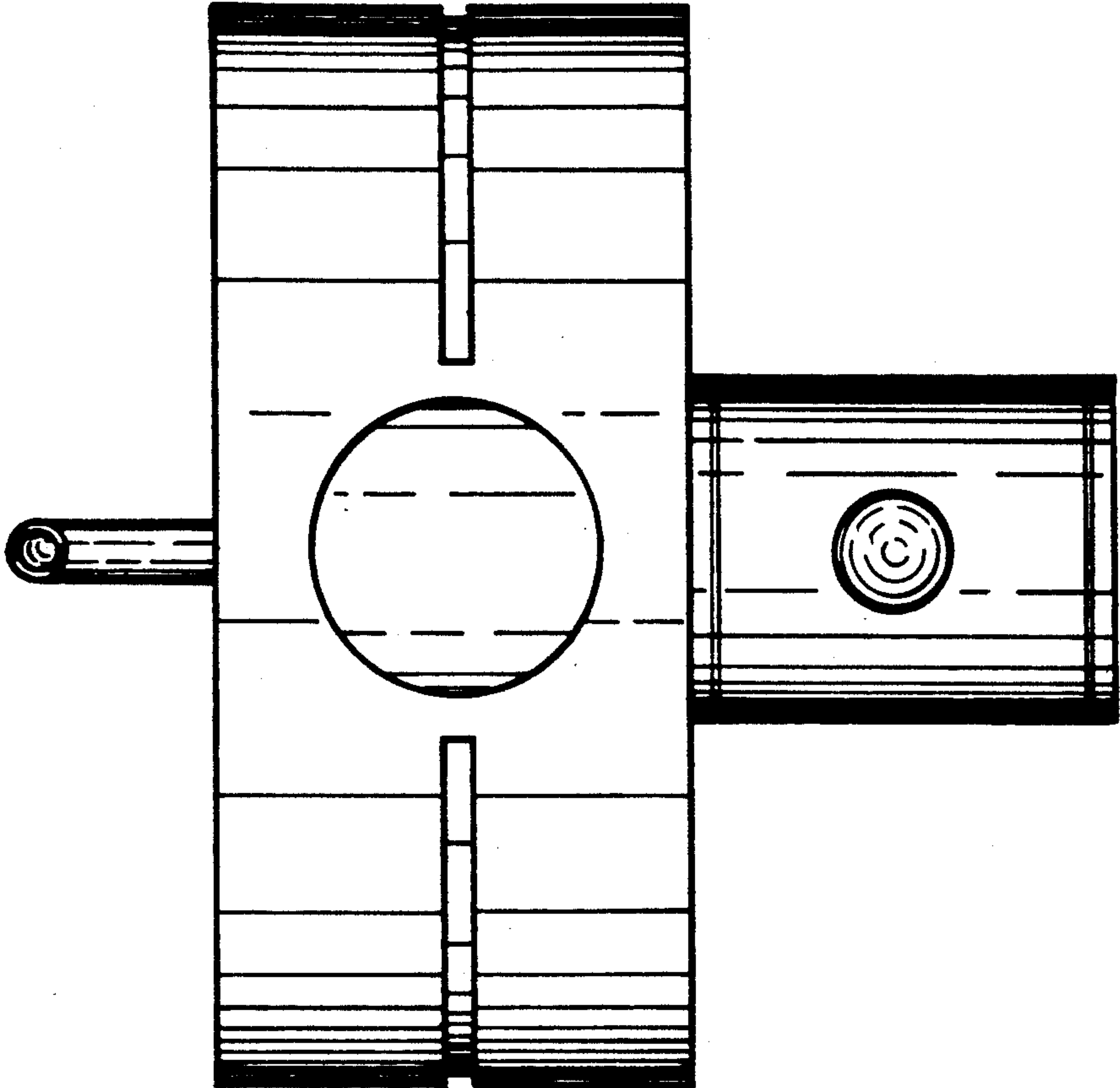


FIG. 3

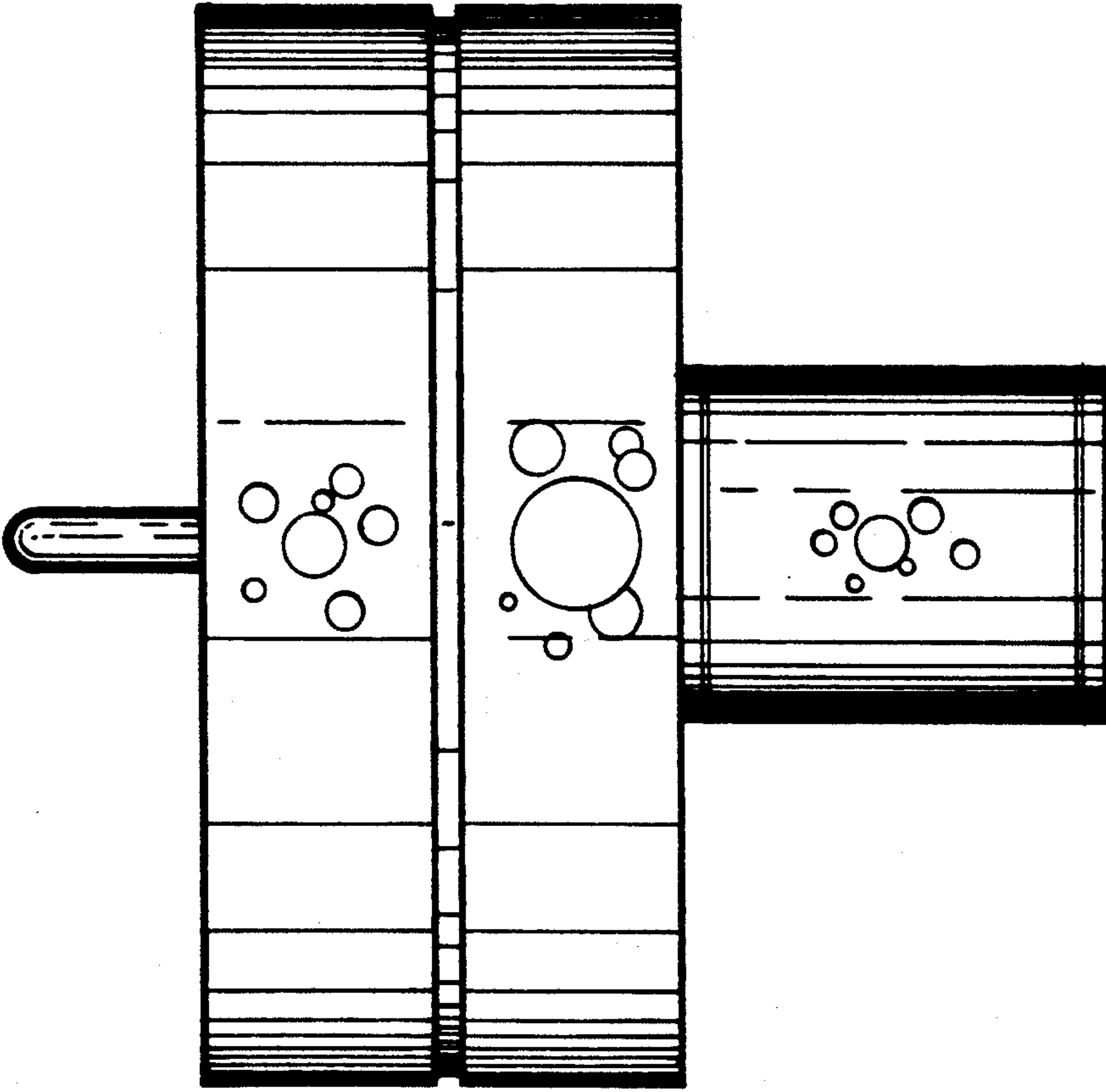


FIG. 4

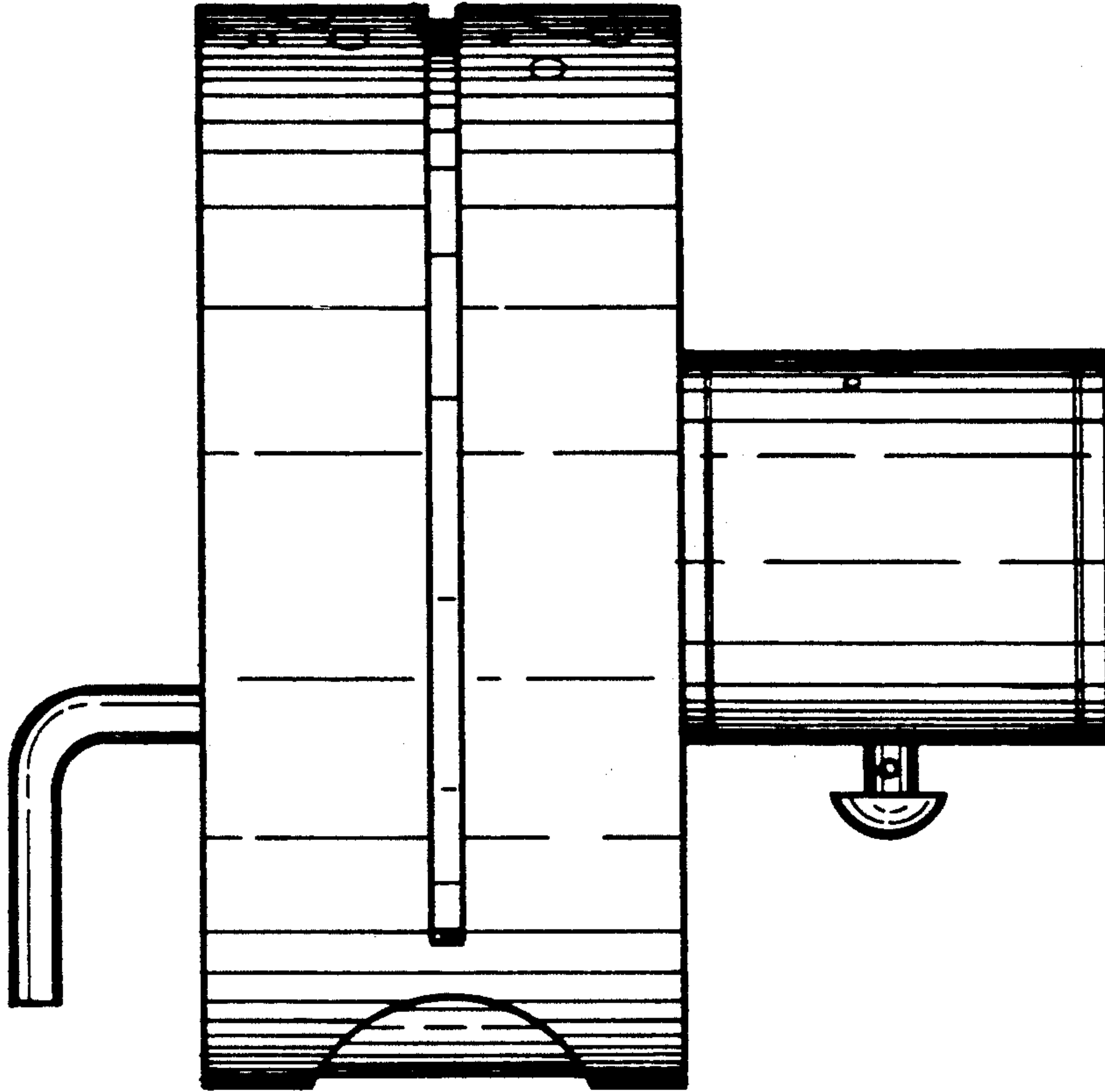


FIG. 5

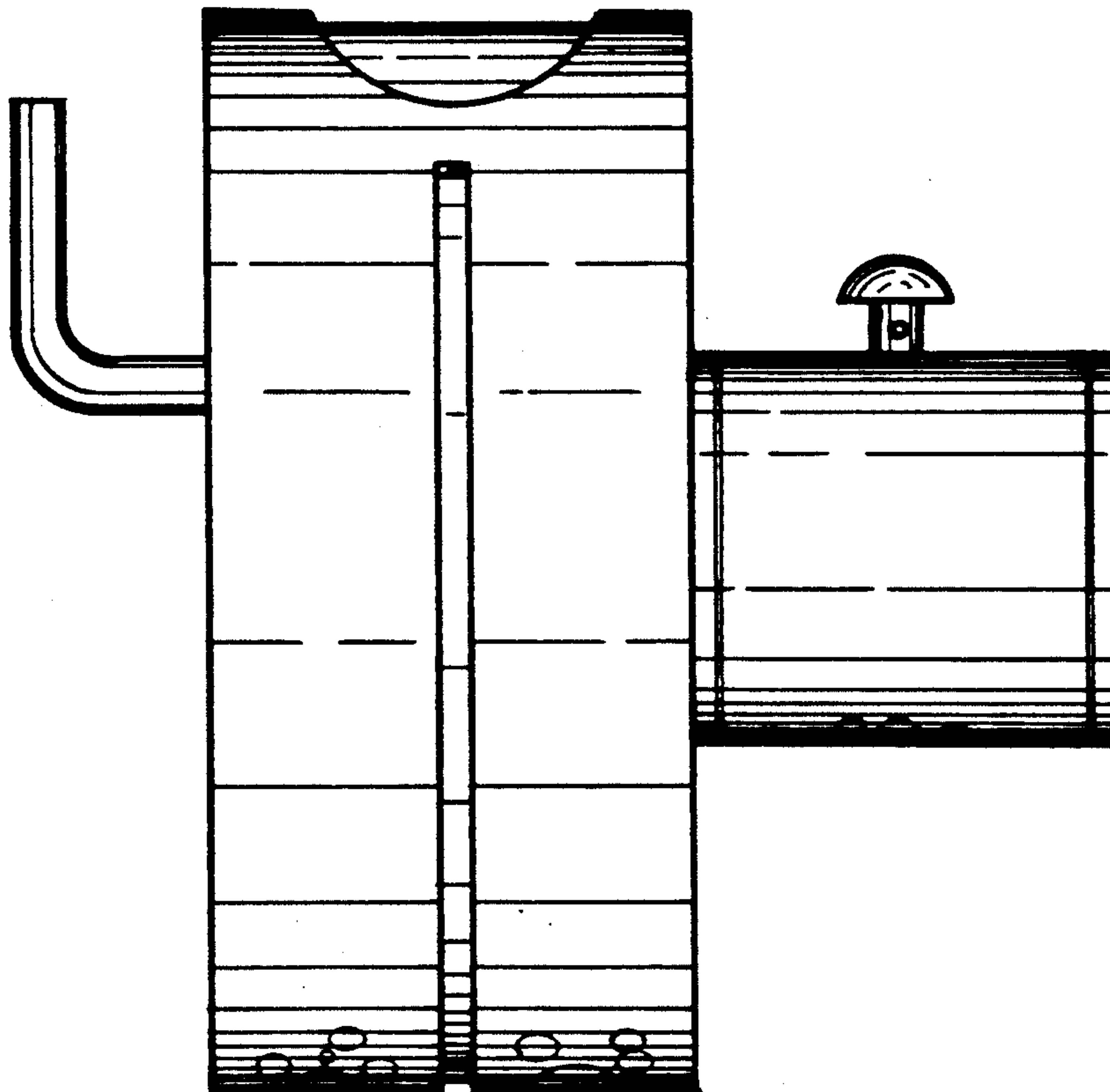


FIG. 6

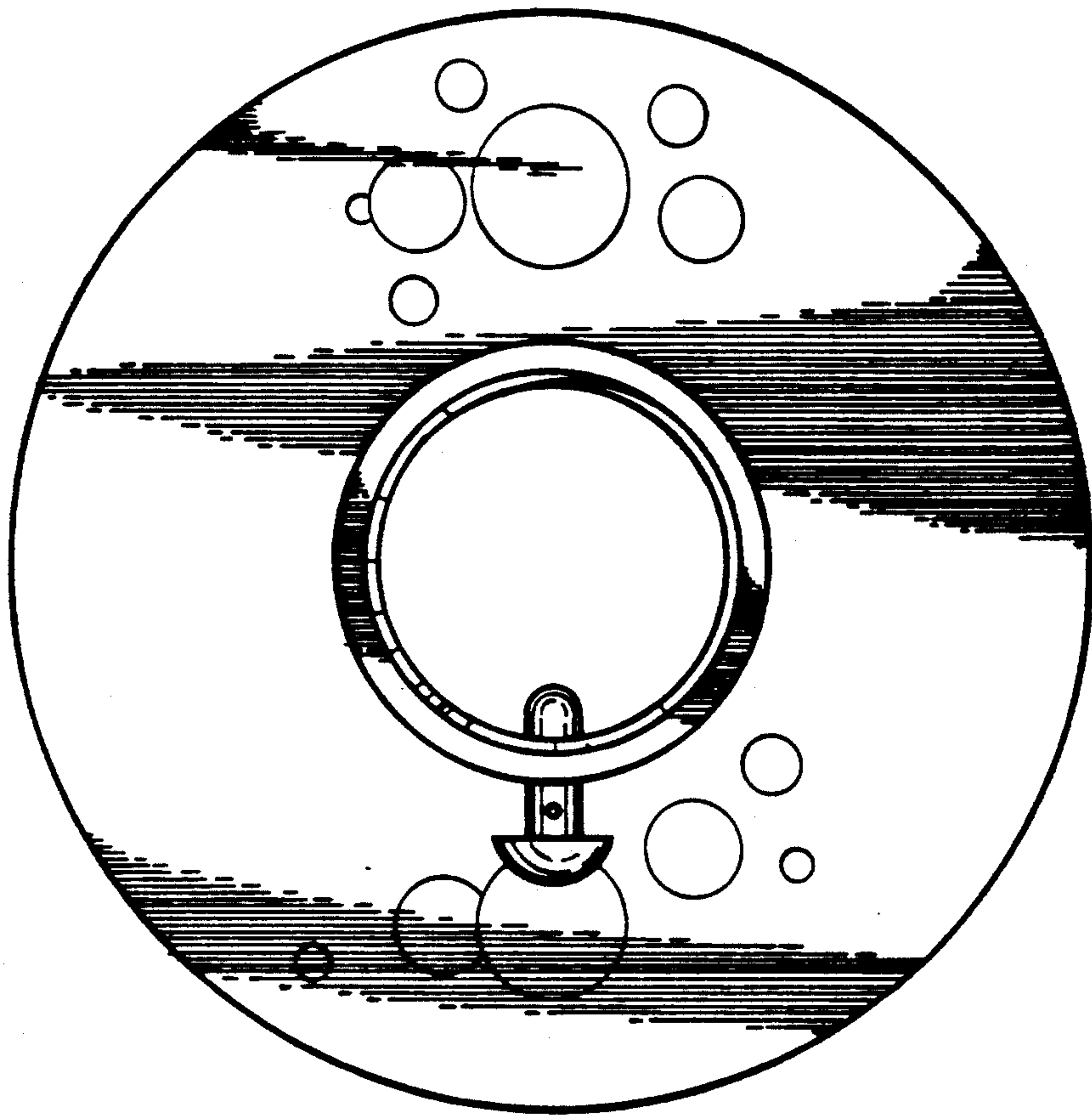


FIG. 8

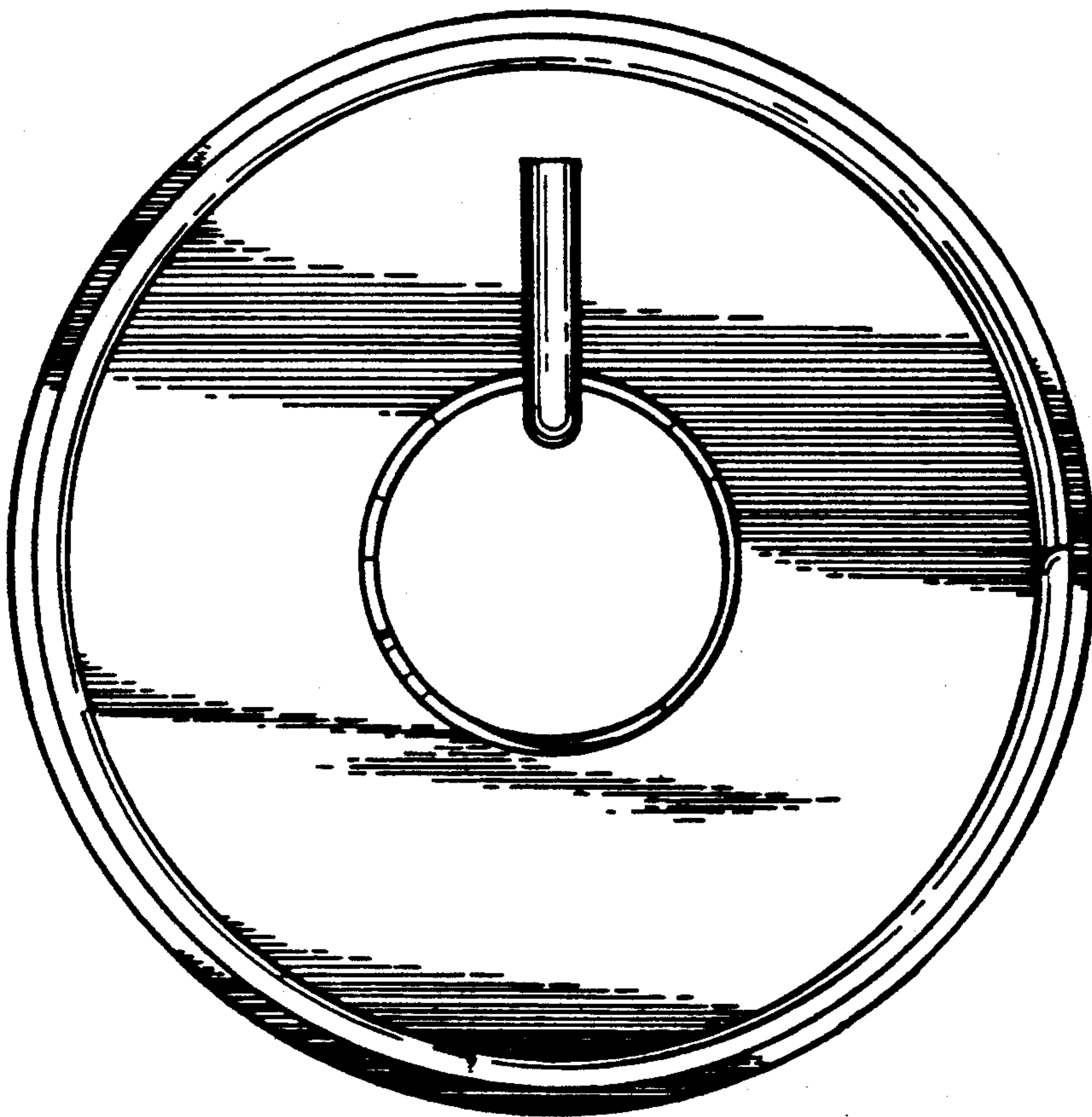


FIG. 7