



US00D336036S

# United States Patent [19]

Wacker

[11] Patent Number: Des. 336,036

[45] Date of Patent: \*\* Jun. 1, 1993

[54] BOTTLE WITH CAP

[75] Inventor: Susan R. Wacker, New York, N.Y.

[73] Assignee: Elizabeth Arden Company, Division of Conopco, Inc., New York, N.Y.

[\*\*] Term: 14 Years

[21] Appl. No.: 686,201

[22] Filed: Apr. 16, 1991

[52] U.S. Cl. .... D9/334; D9/544

[58] Field of Search ..... D9/307, 334, 500, 505, D9/519, 545, 574, 575, 435, 441, 443; 215/1 R, 1 C

[56] References Cited

U.S. PATENT DOCUMENTS

D. 47,348	5/1915	Stephenson	.....	D9/545
D. 124,724	1/1941	McIntosh	.....	D9/334
D. 248,620	7/1978	Dogliotti	.....	D9/307 X
D. 253,455	11/1979	Beene	.....	D9/505
D. 284,838	7/1986	Cillario	.....	D9/334
1,383,838	7/1921	Mrazek	.....	D9/307 X

OTHER PUBLICATIONS

Vogue: Oct. 1988; p. 172. (Located in group 290 Library.)

Photocopies depicting commercially available perfume bottles related to cited application as follows:

"Albert Nipon" Eau de Toilette Spray.

"Cobocharde" (1958), Item #57.

"Confetti" (1941), Item #120.

"Coque d'Or" by Guerlain (1938), Item #770 and #102.

"Jabot" by Lucien Lelong (1939), Item #93, see U.S. Pat. No. D. 117,718 (Sep. 1939).

"Indiscret" by Bienaime (1936), Item #1 and #88.

Primary Examiner—Bernard Ansher

Assistant Examiner—Mitchell I. Siegel

Attorney, Agent, or Firm—Milton L. Honig

[57] CLAIM

The ornamental design for a bottle with cap, as shown and described.

DESCRIPTION

FIG. 1 is a front left perspective view of a bottle with cap showing my new design;

FIG. 2 is a top plan view thereof;

FIG. 3 is a front elevational view thereof; the undisclosed rear elevation being a mirror image;

FIG. 4 is a side elevational view thereof; the undisclosed opposite side being a mirror image;

FIG. 5 is a bottom plan view thereof;

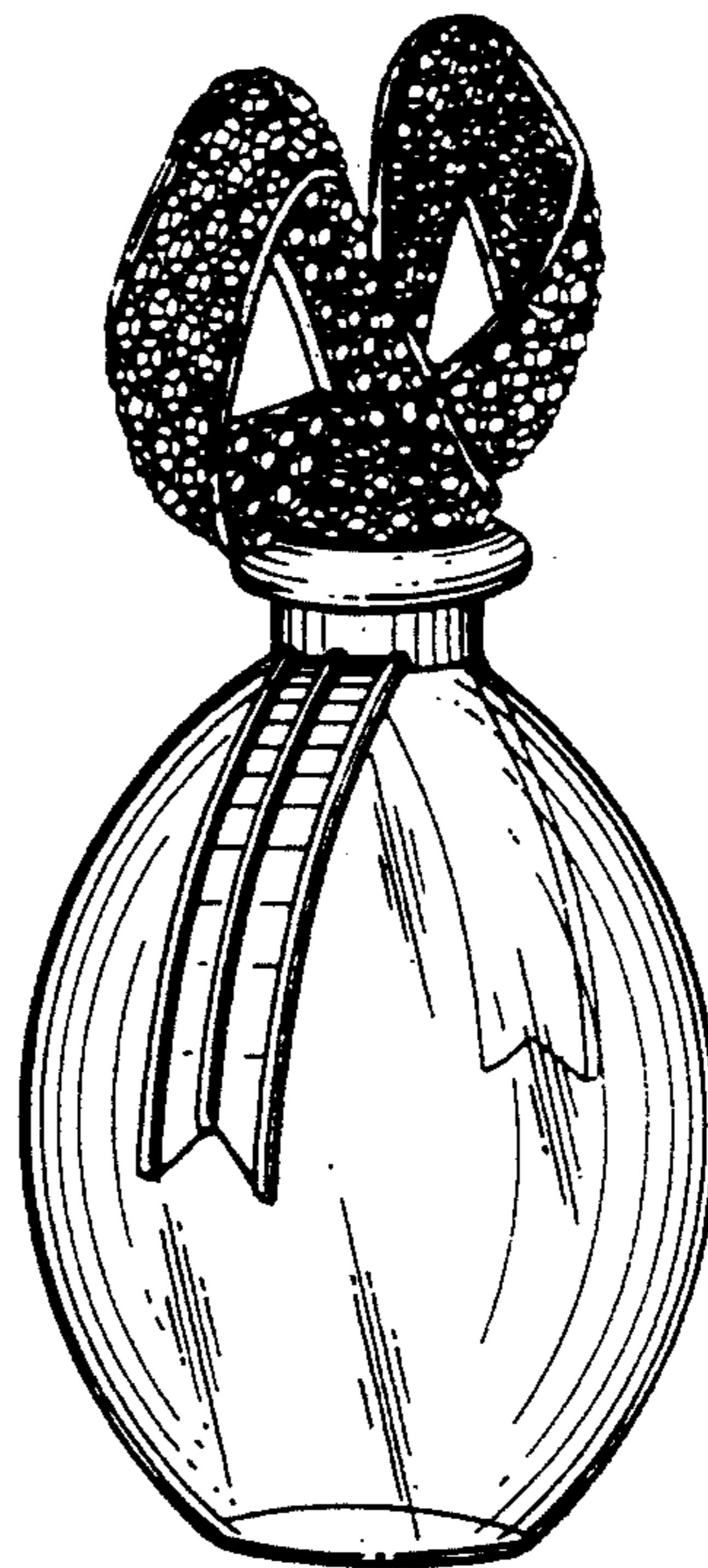
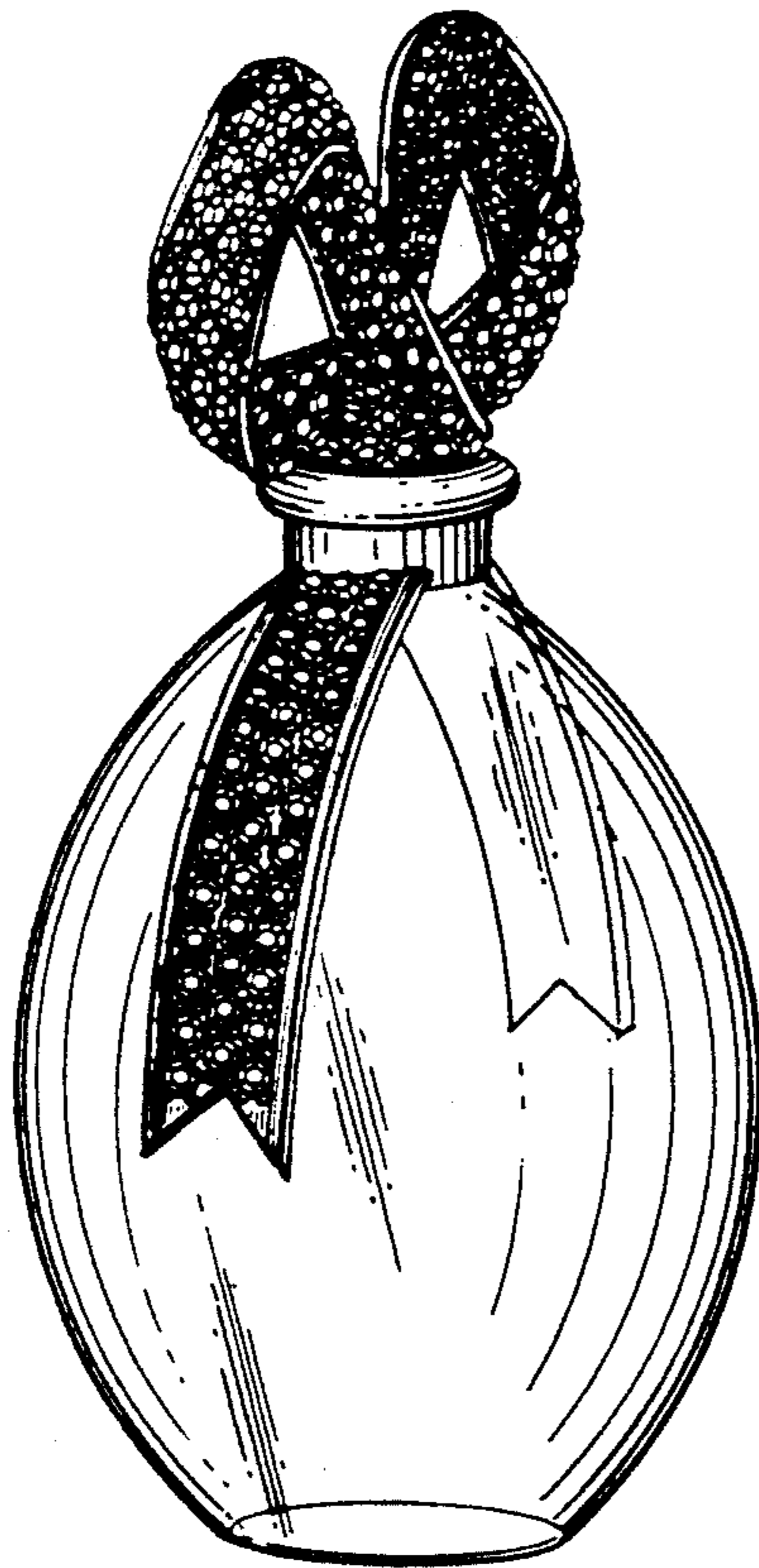
FIG. 6 is a front left perspective view of a second embodiment at a reduced scale, of a Bottle with Cap, as illustrated in FIG. 1;

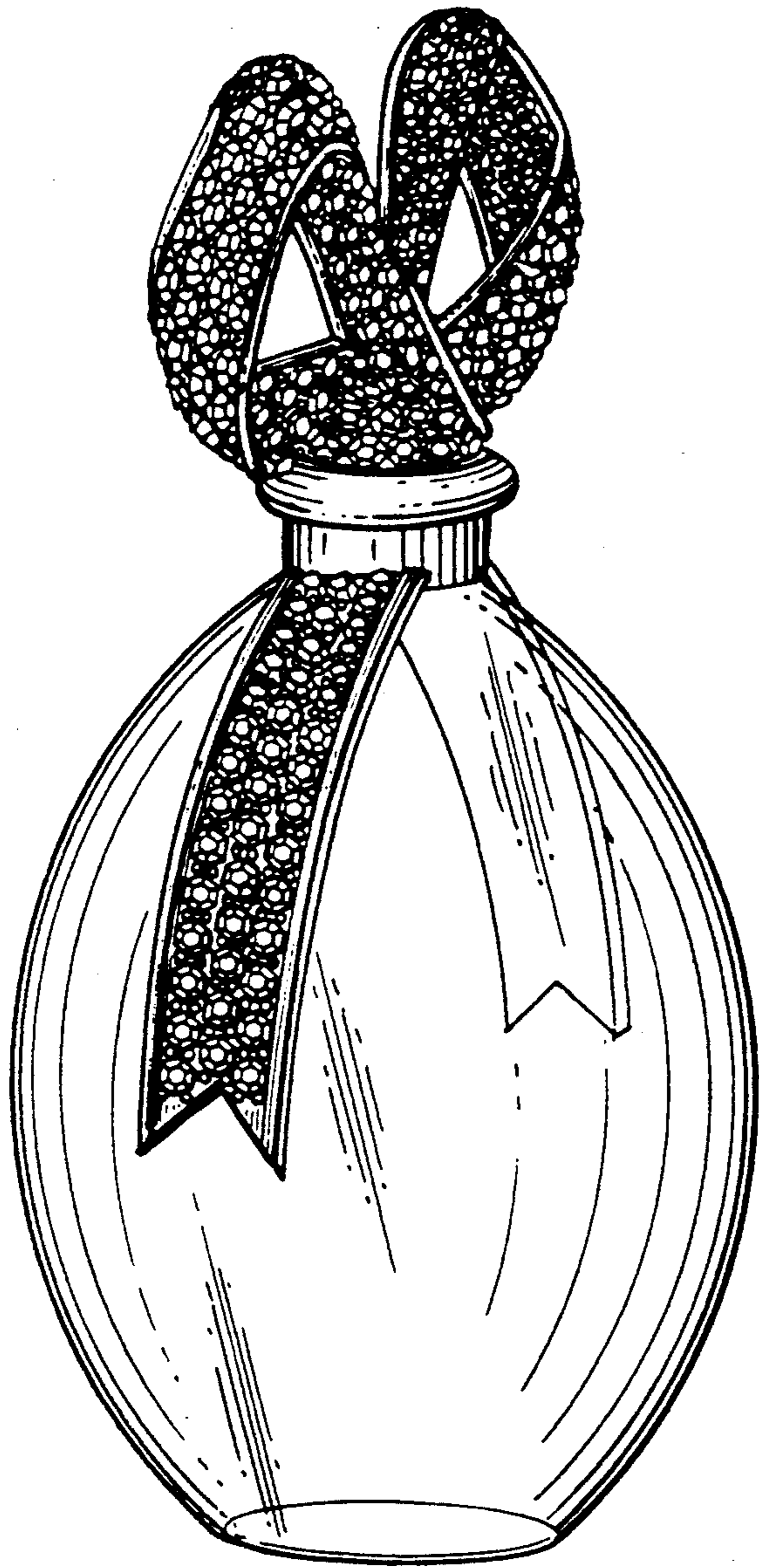
FIG. 7 is a top plan view thereof;

FIG. 8 is a front elevational view thereof; the undisclosed rear elevation being a mirror image;

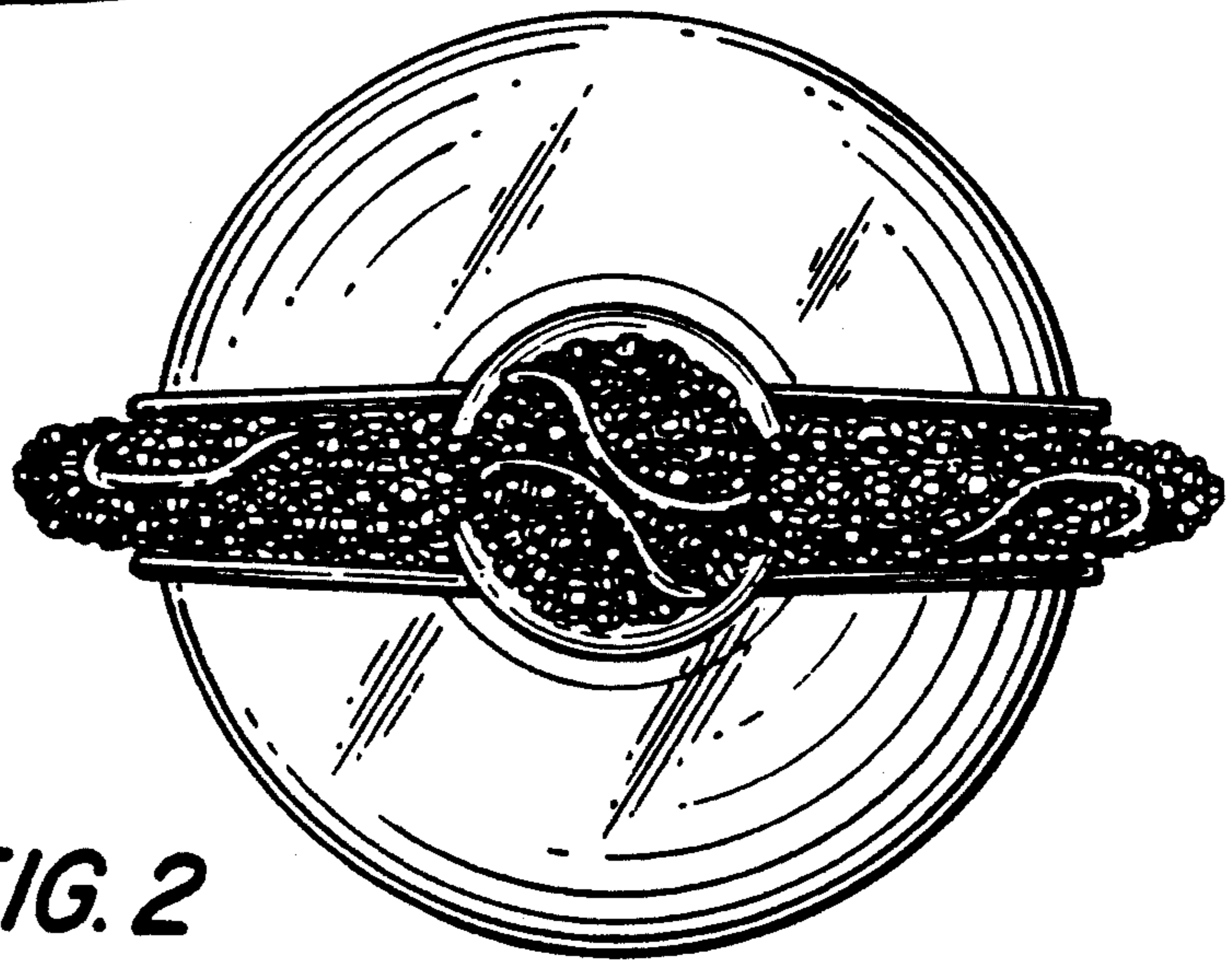
FIG. 9 is a side elevational view thereof; the undisclosed opposite side being a mirror image; and,

FIG. 10 is a bottom plan view thereof.



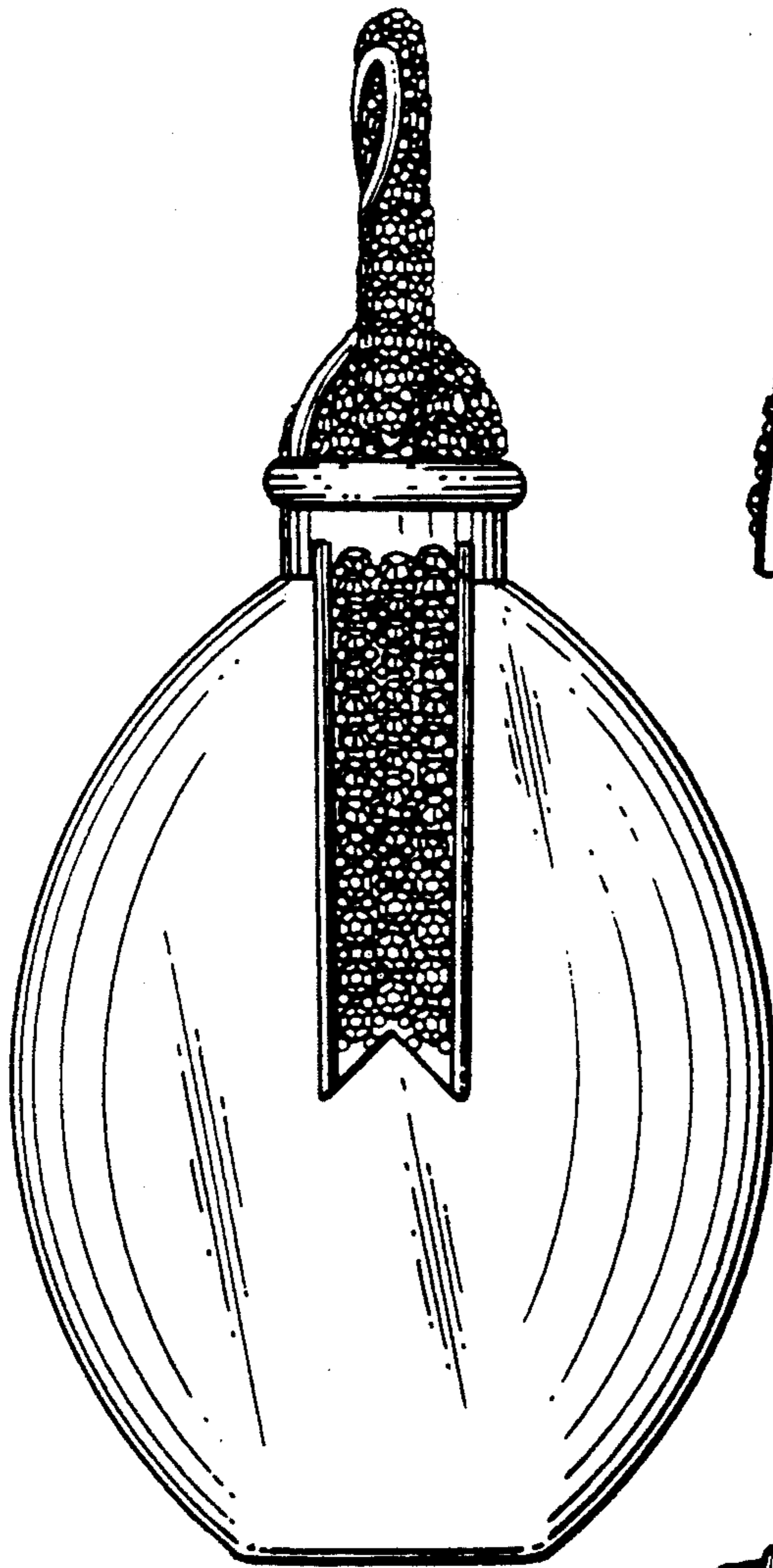
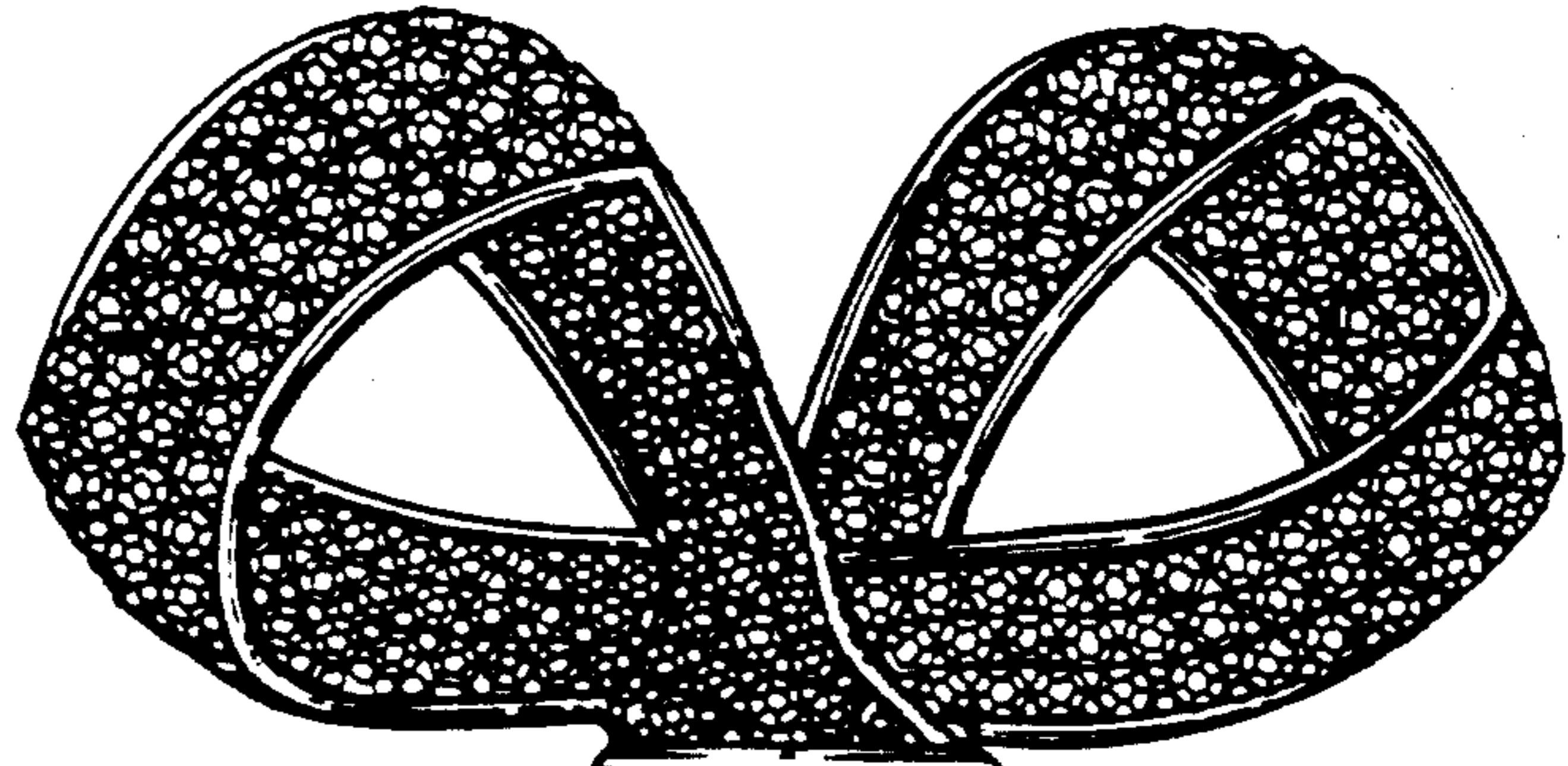


*FIG. 1*

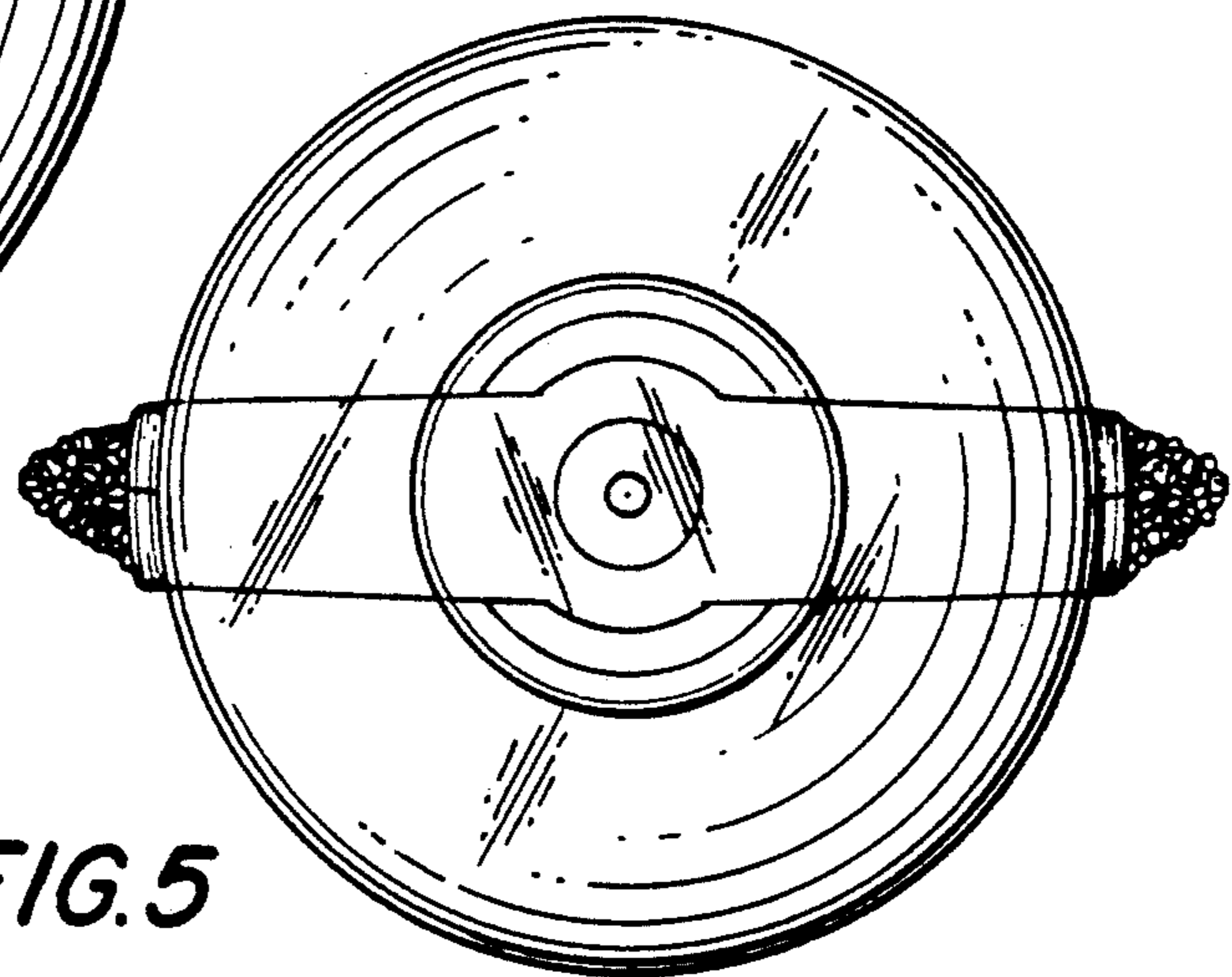
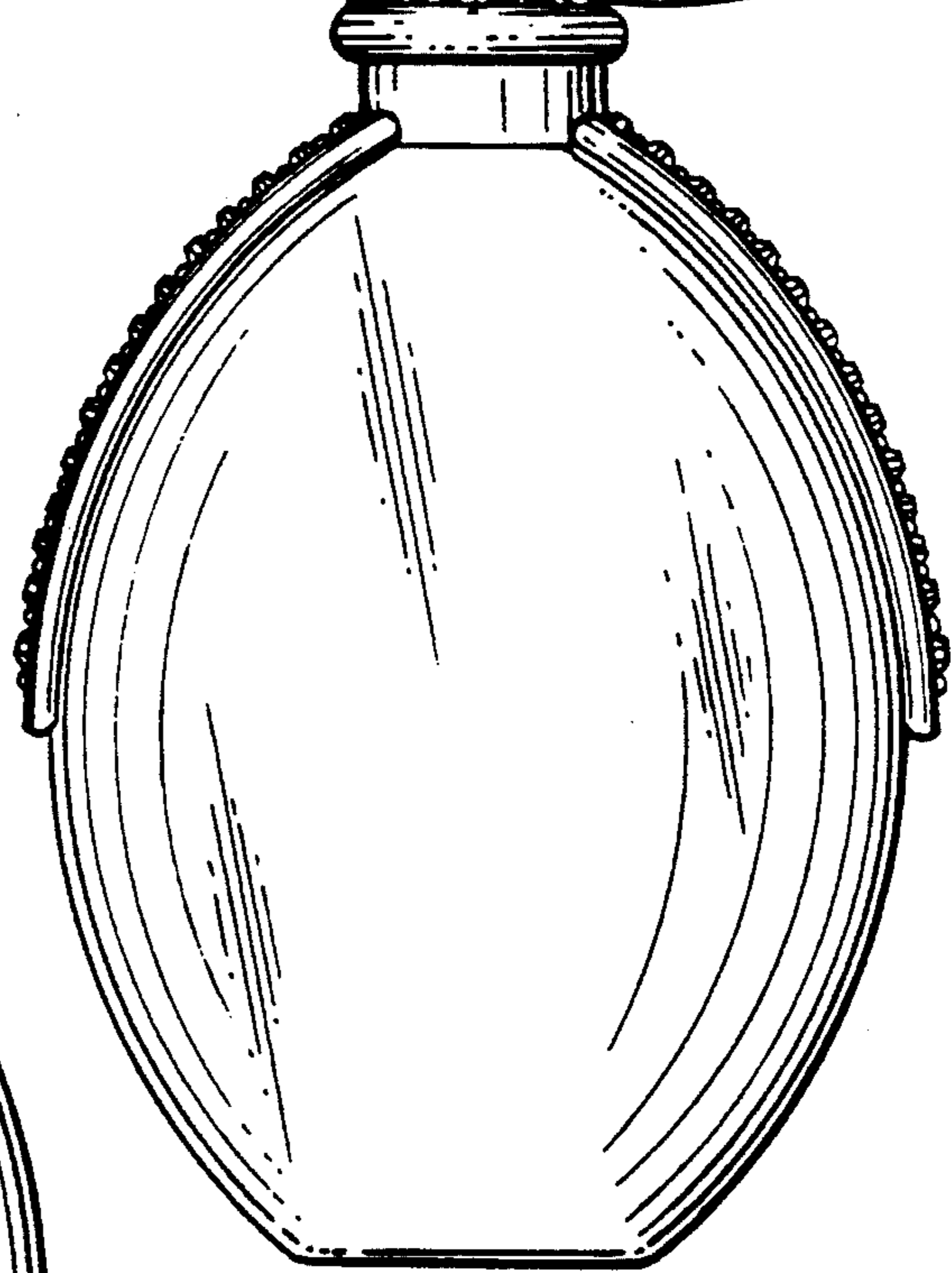


*FIG. 2*

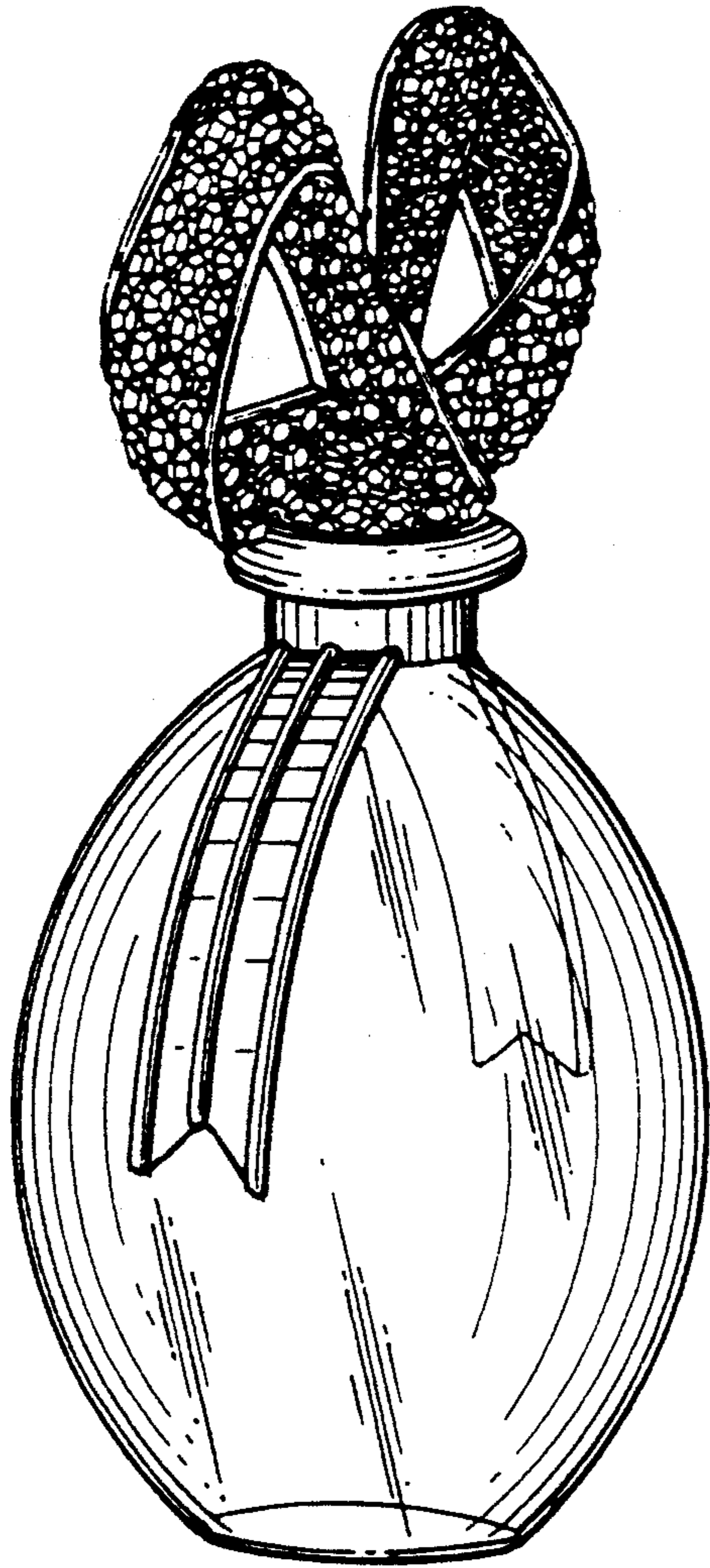
*FIG. 3*



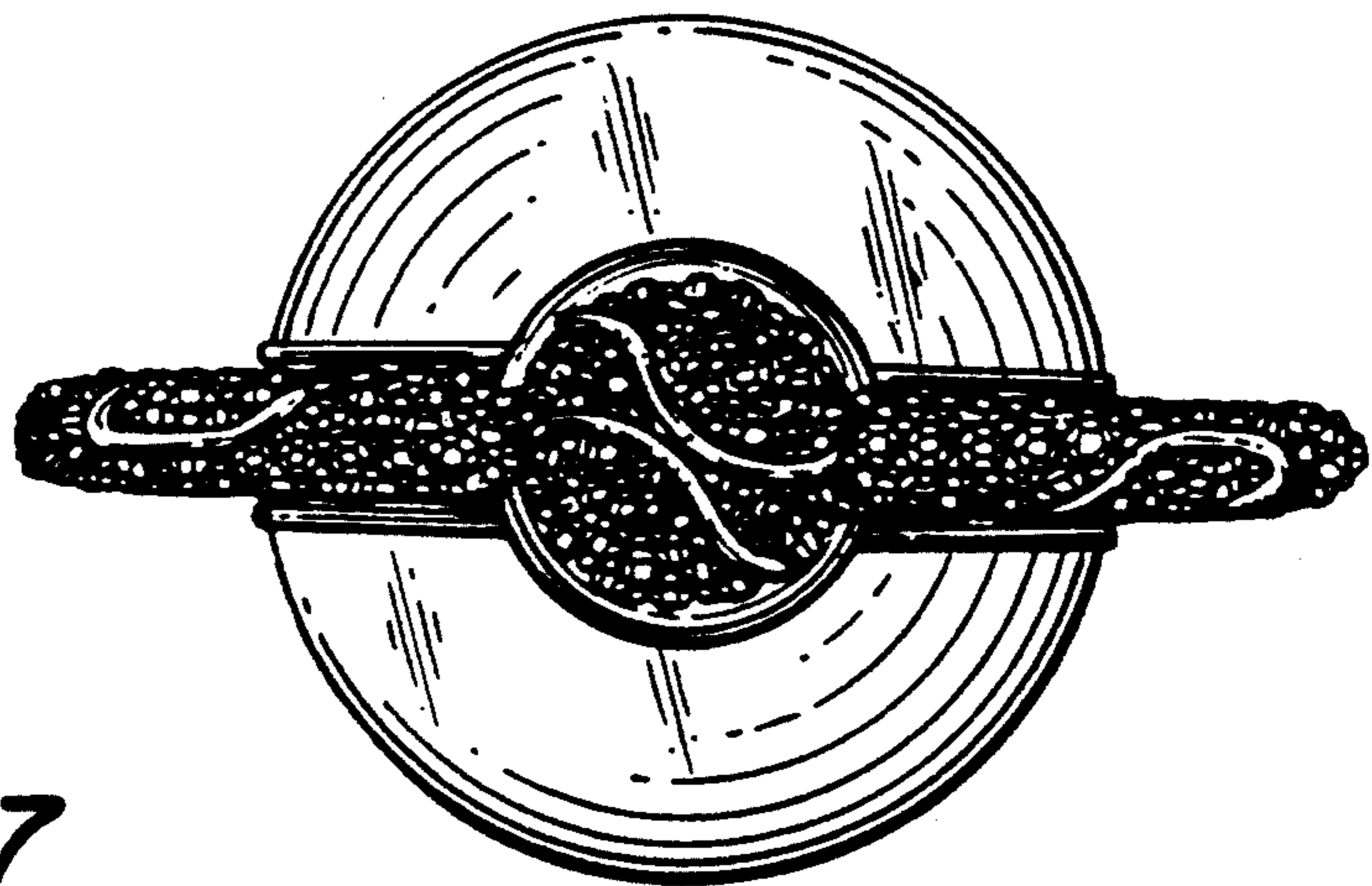
*FIG. 4*



*FIG. 5*

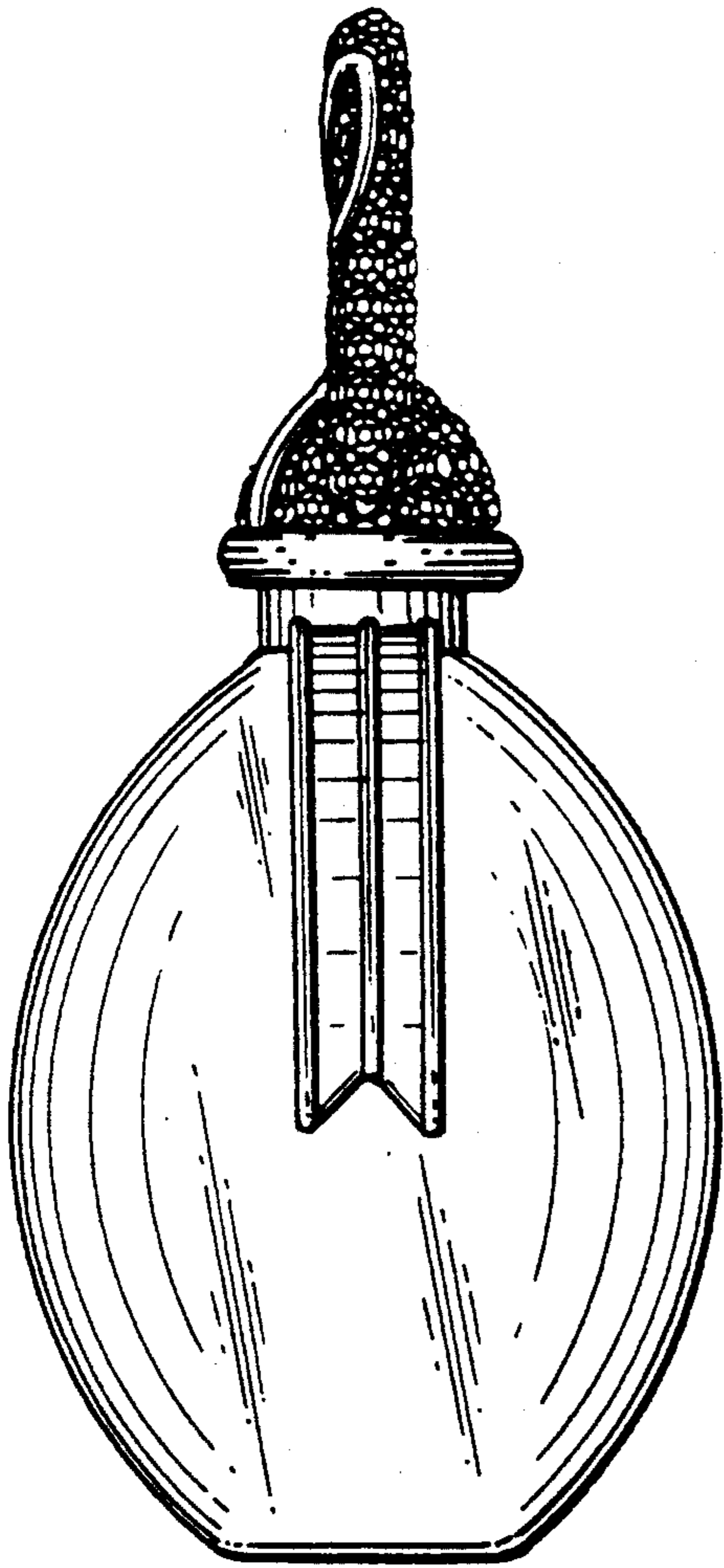
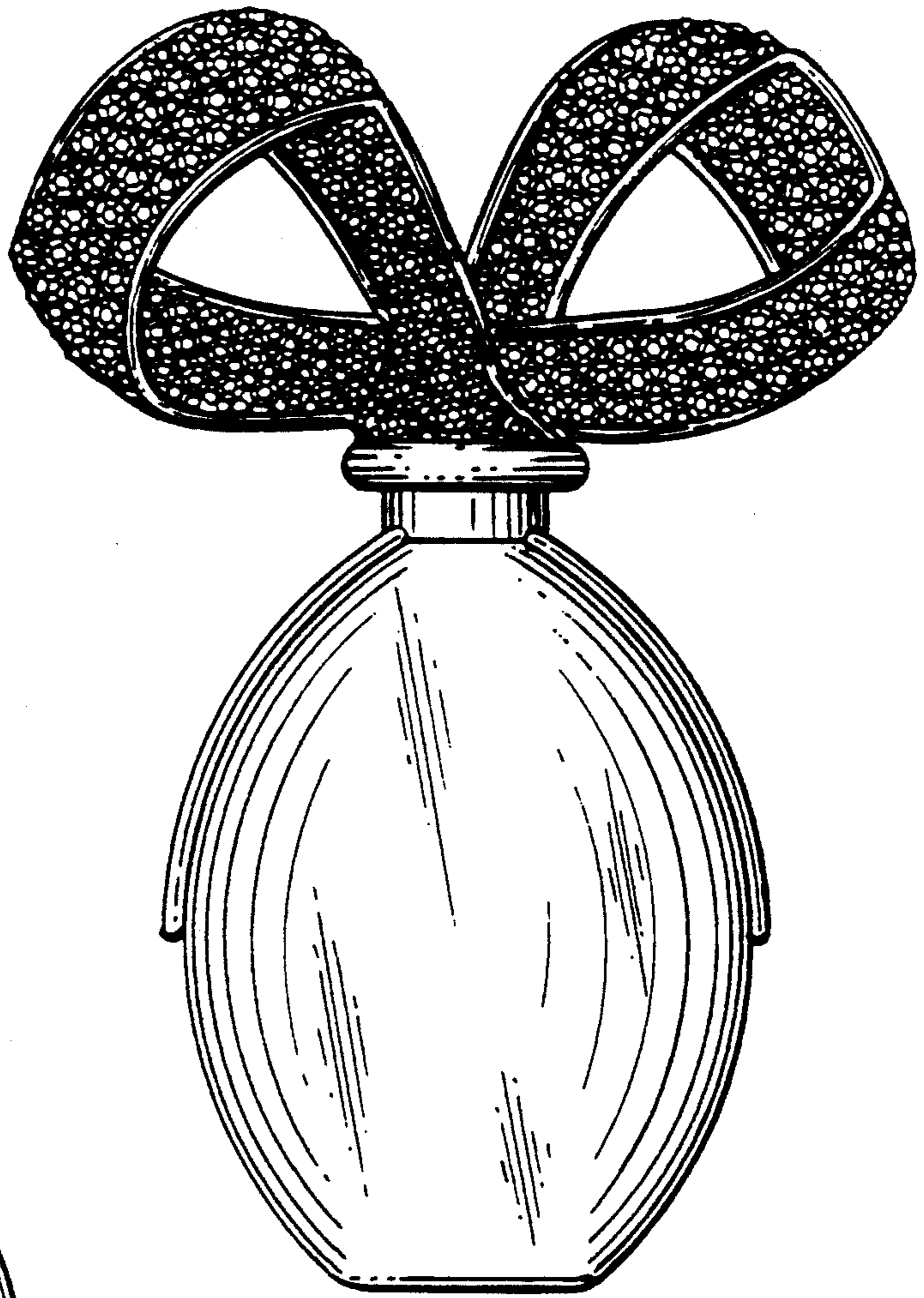


*FIG. 6*

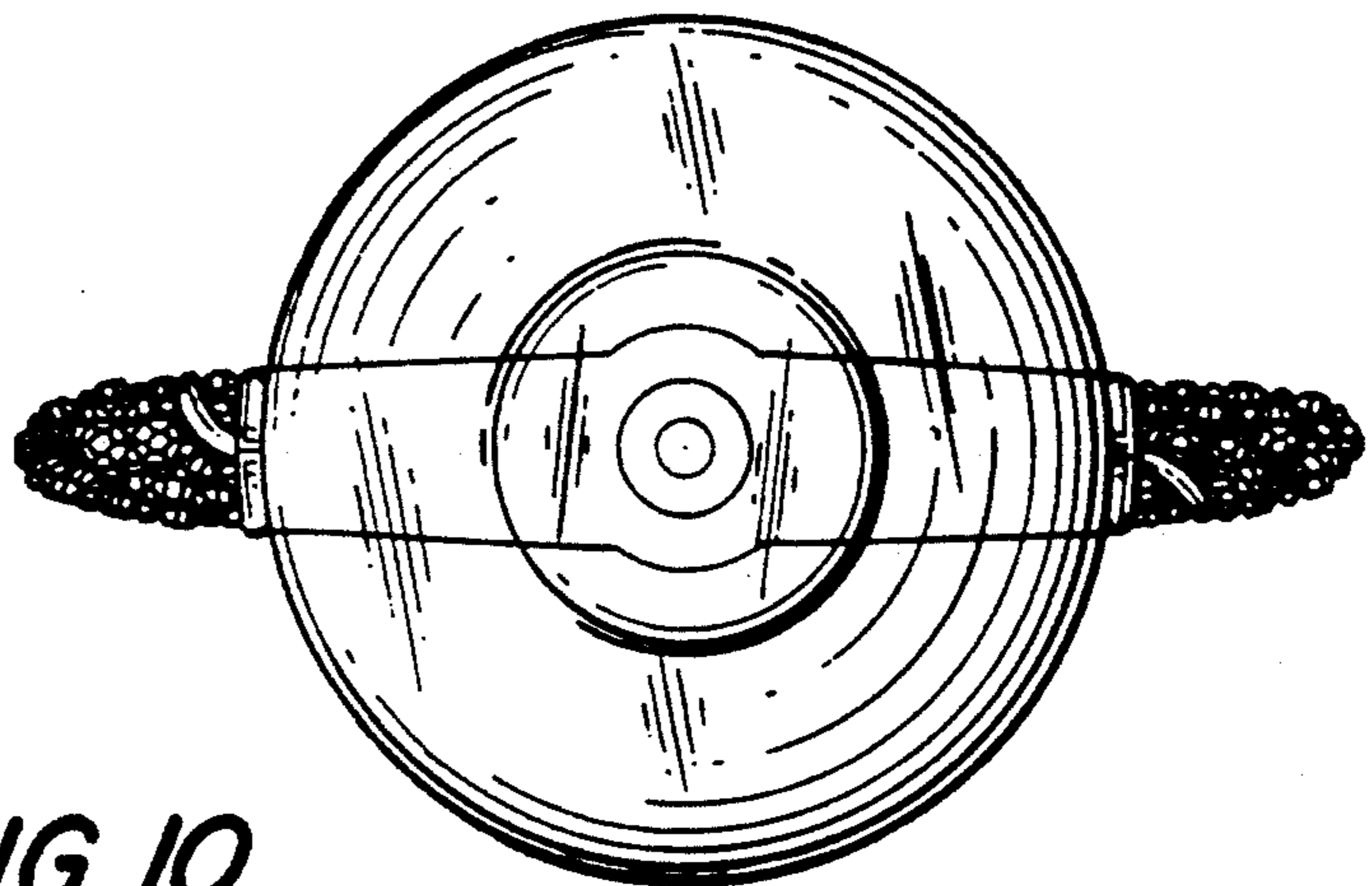


*FIG. 7*

*FIG. 8*



*FIG. 9*



*FIG. 10*