



US00D336030S

United States Patent [19]

[11] Patent Number: **Des. 336,030**

Falk et al.

[45] Date of Patent: **** Jun. 1, 1993**

[54] SHACKLELESS PADLOCK

4,953,371 9/1990 Appelbaum 70/32

[75] Inventors: **Sidney Falk; Gary L. Myers**, both of River Grove, Ill.

Primary Examiner—Brian N. Vinson
Attorney, Agent, or Firm—Leydig, Voit & Mayer

[73] Assignee: **K.X.L. Manufacturing, Inc.**, River Grove, Ill.

[57] **CLAIM**

The ornamental design for a shackleless padlock, as shown and described.

[**] Term: **14 Years**

DESCRIPTION

[21] Appl. No.: **719,528**

[22] Filed: **Jun. 24, 1991**

[52] U.S. Cl. **D8/334; D8/331**

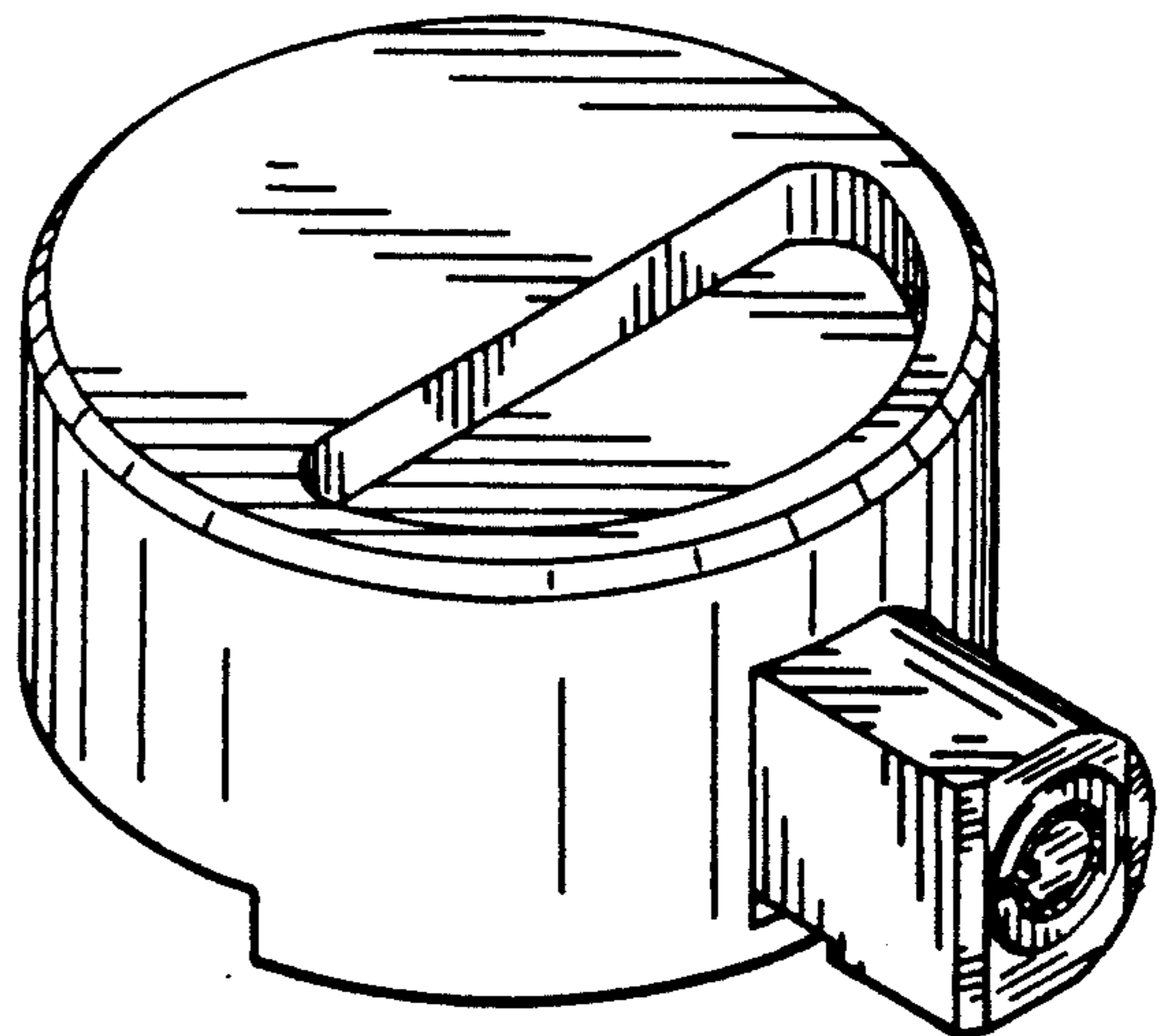
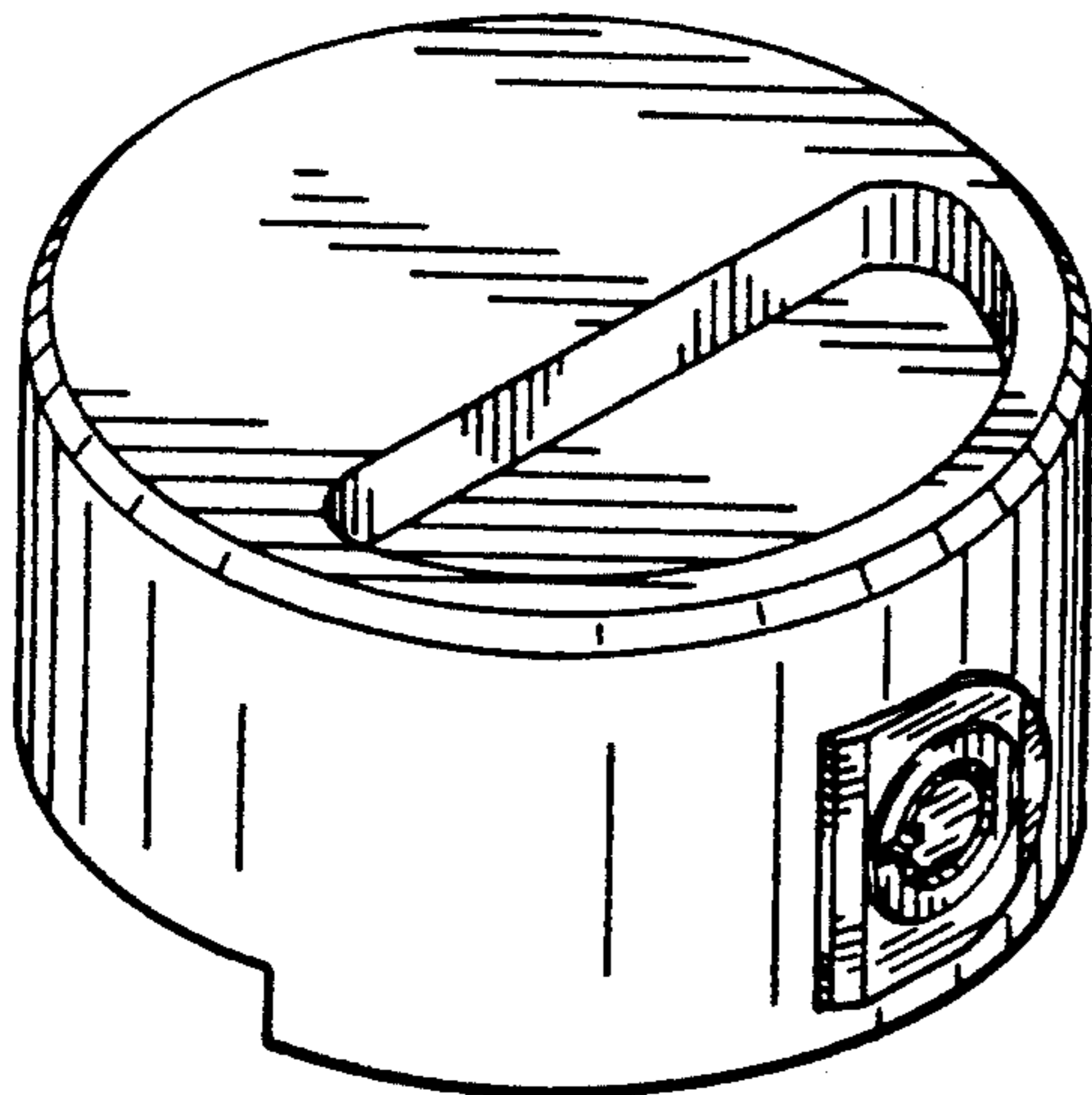
[58] Field of Search **D8/333-335; 70/23, 32**

FIG. 1 is a top and first perspective view of a shackleless padlock showing our new design;
FIG. 2 is a top elevational view thereof;
FIG. 3 is a right side elevational view thereof;
FIG. 4 is a left side elevational view thereof;
FIG. 5 is a bottom plan view thereof;
FIG. 6 is a front elevational view thereof;
FIG. 7 is a top and front perspective view similar to FIG. 1, but with the lock shell in a pop-out position;
FIG. 8 is a top elevational view thereof;
FIG. 9 is a right side elevational view thereof;
FIG. 10 is a left side elevational view thereof; and,
FIG. 11 is a bottom plan view thereof.

[56] **References Cited**

U.S. PATENT DOCUMENTS

D. 321,824	11/1991	Appelbaum	D8/334
3,769,821	11/1973	Randel	70/33
3,817,062	6/1974	Randel	70/11
4,512,165	4/1985	Uyeda	70/32
4,754,626	7/1988	Siegel	70/32



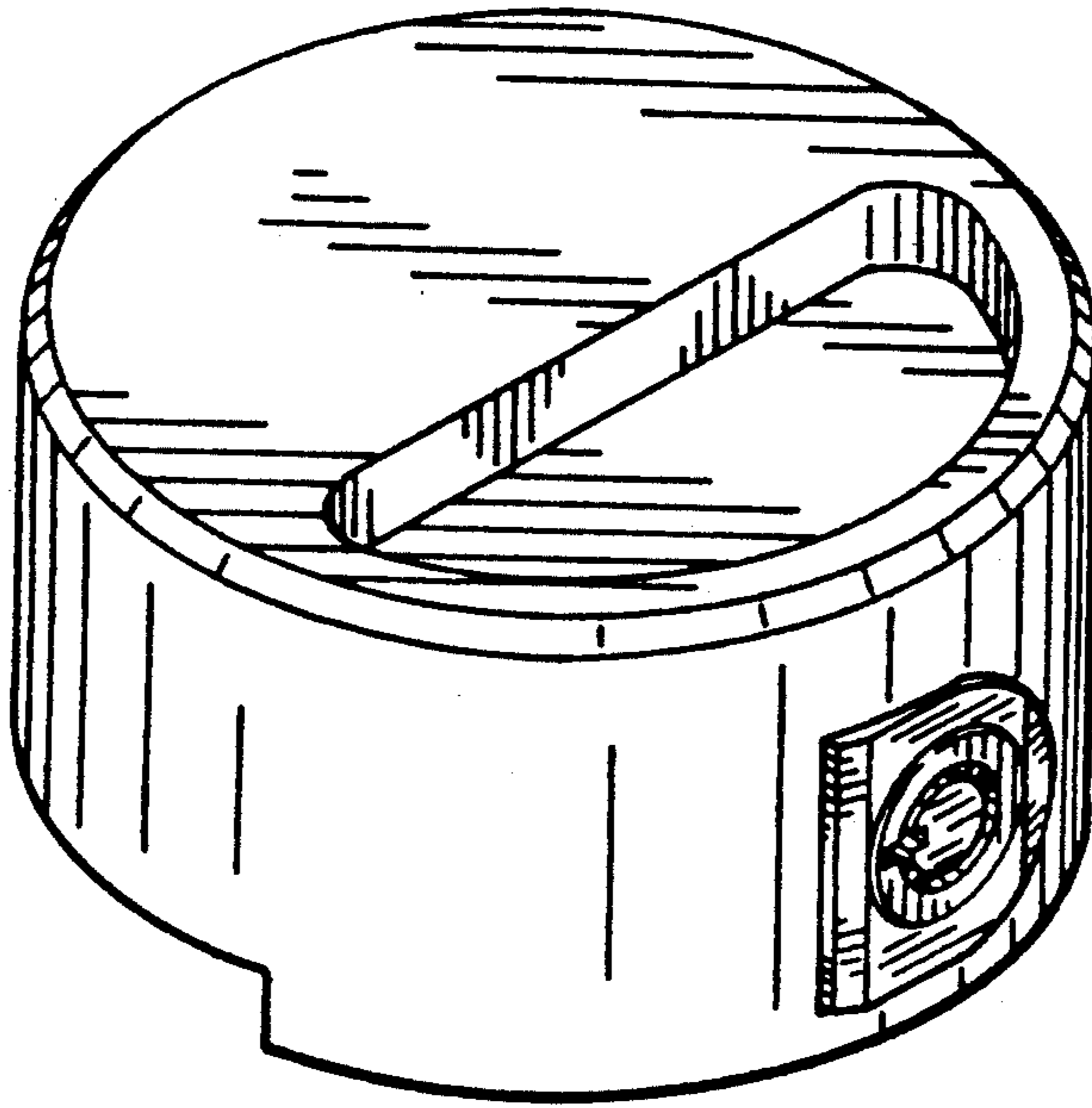


FIG. 1

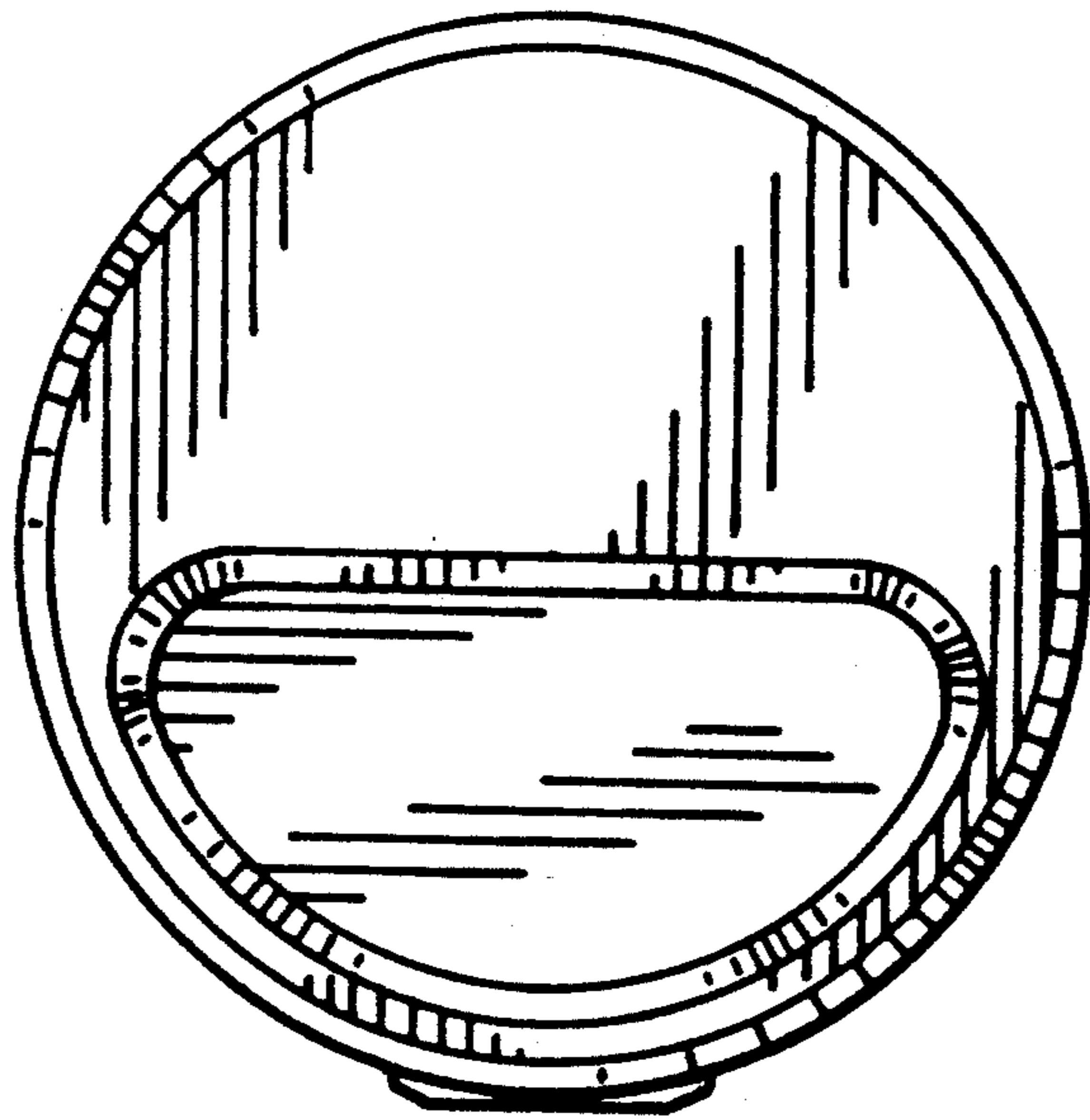


FIG 2

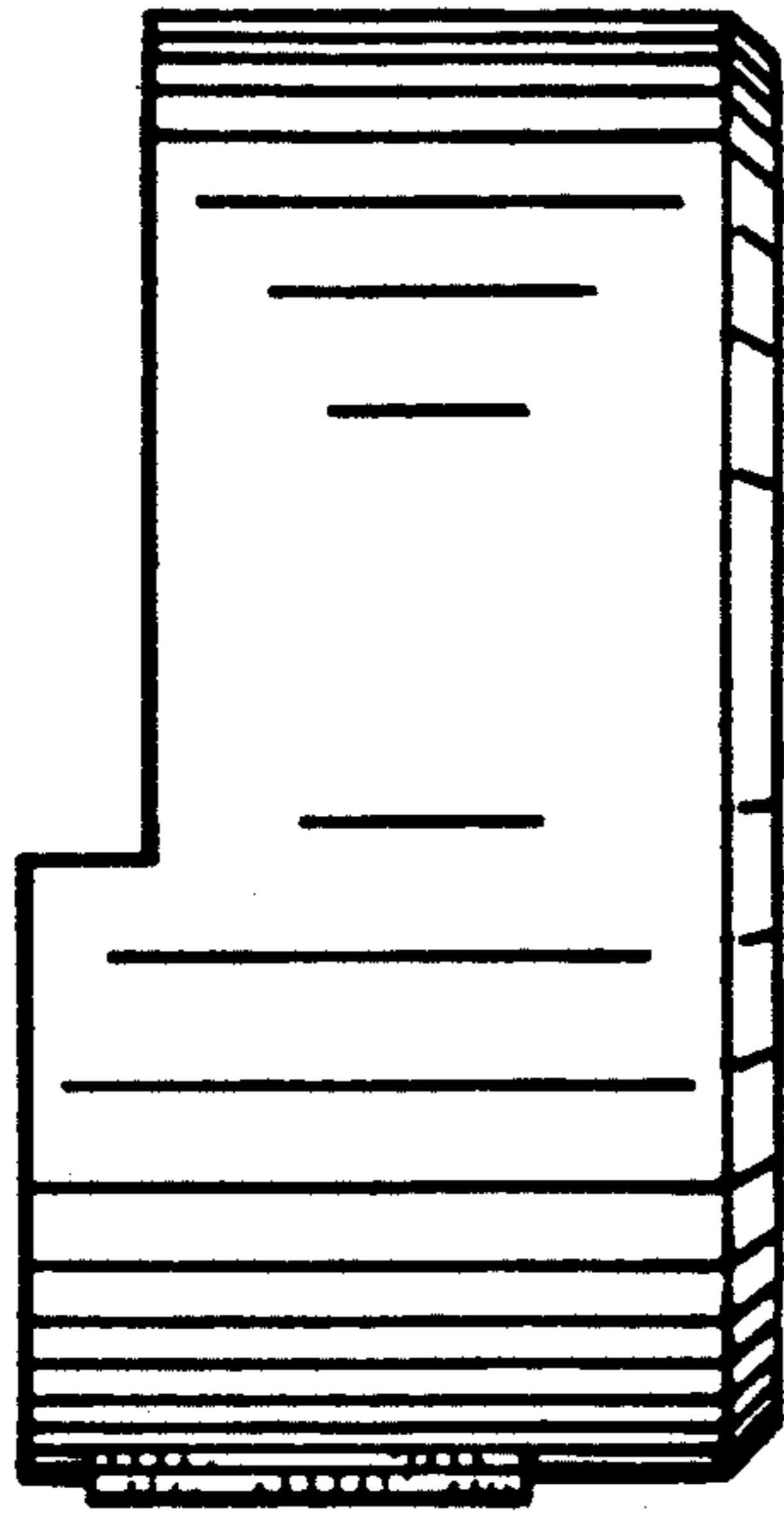


FIG. 4

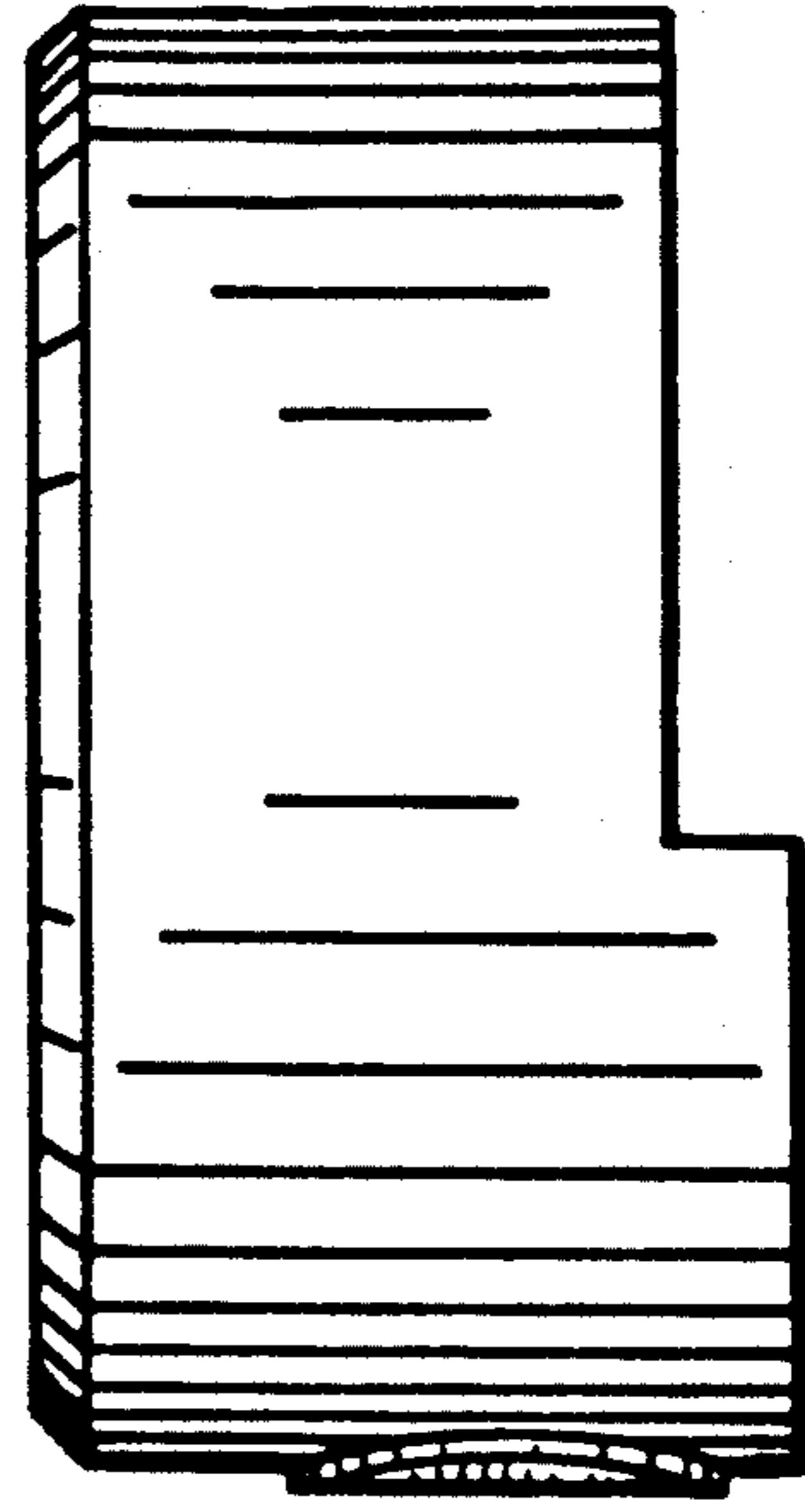


FIG. 3

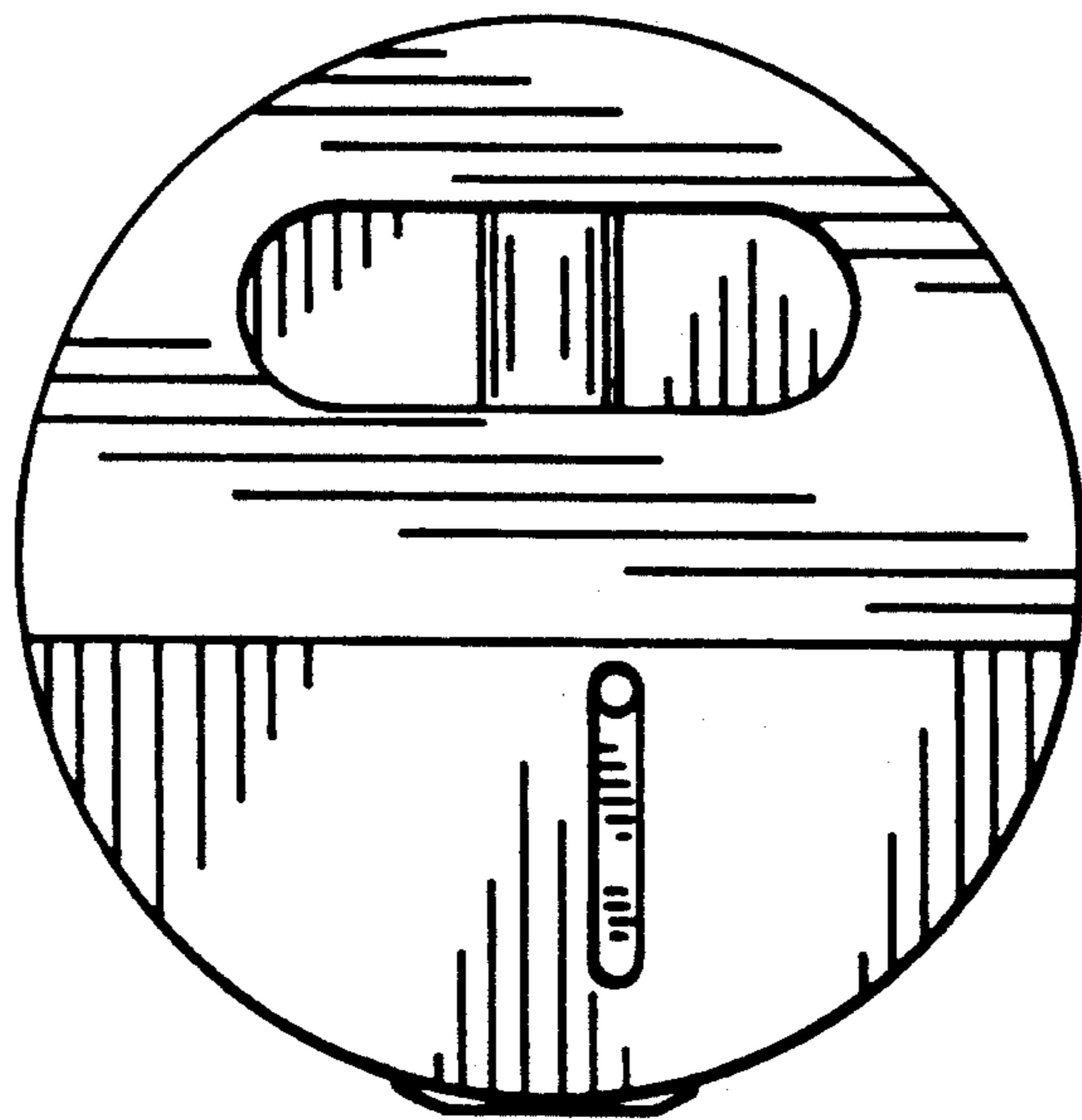


FIG 5

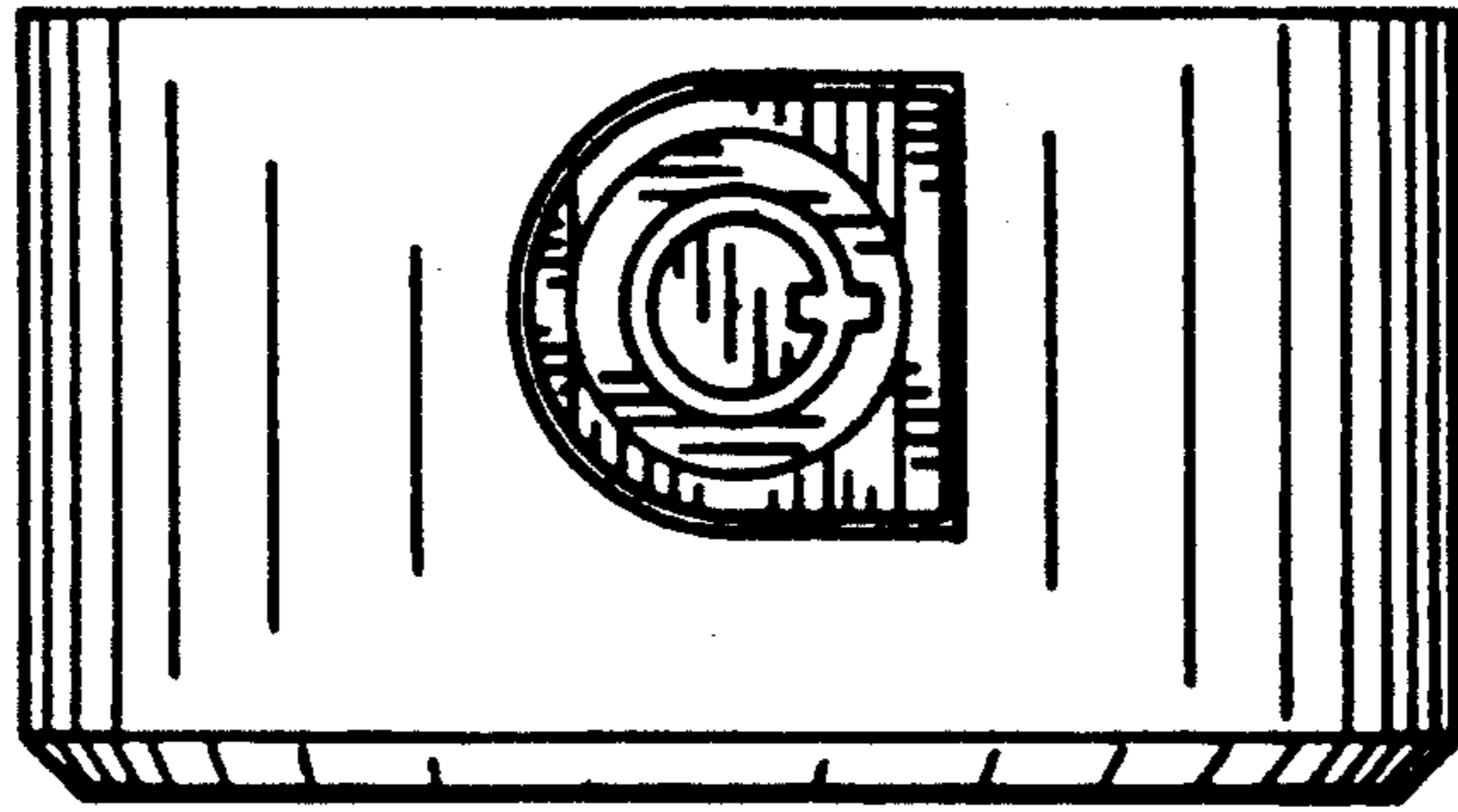


FIG. 6

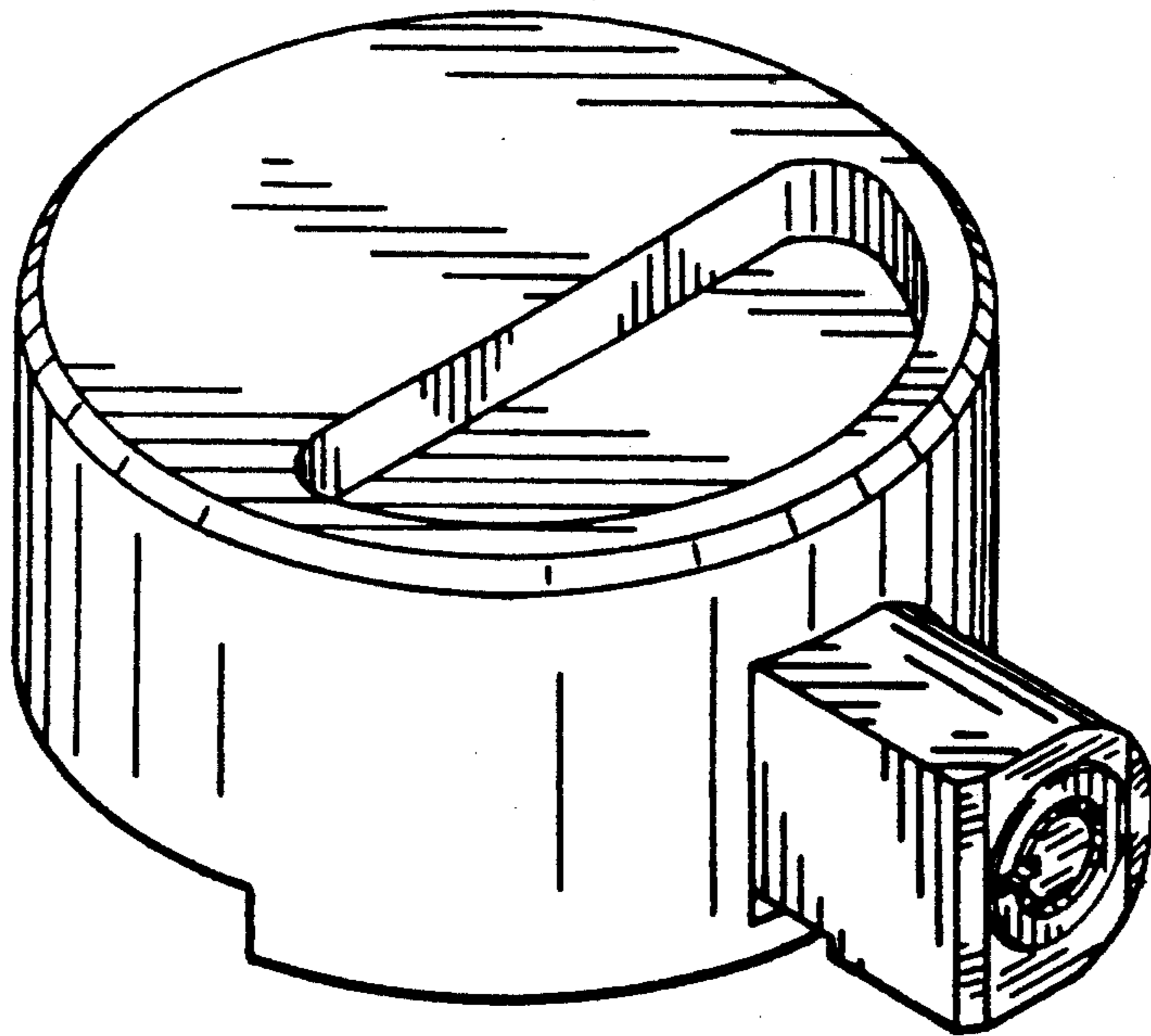


FIG. 7

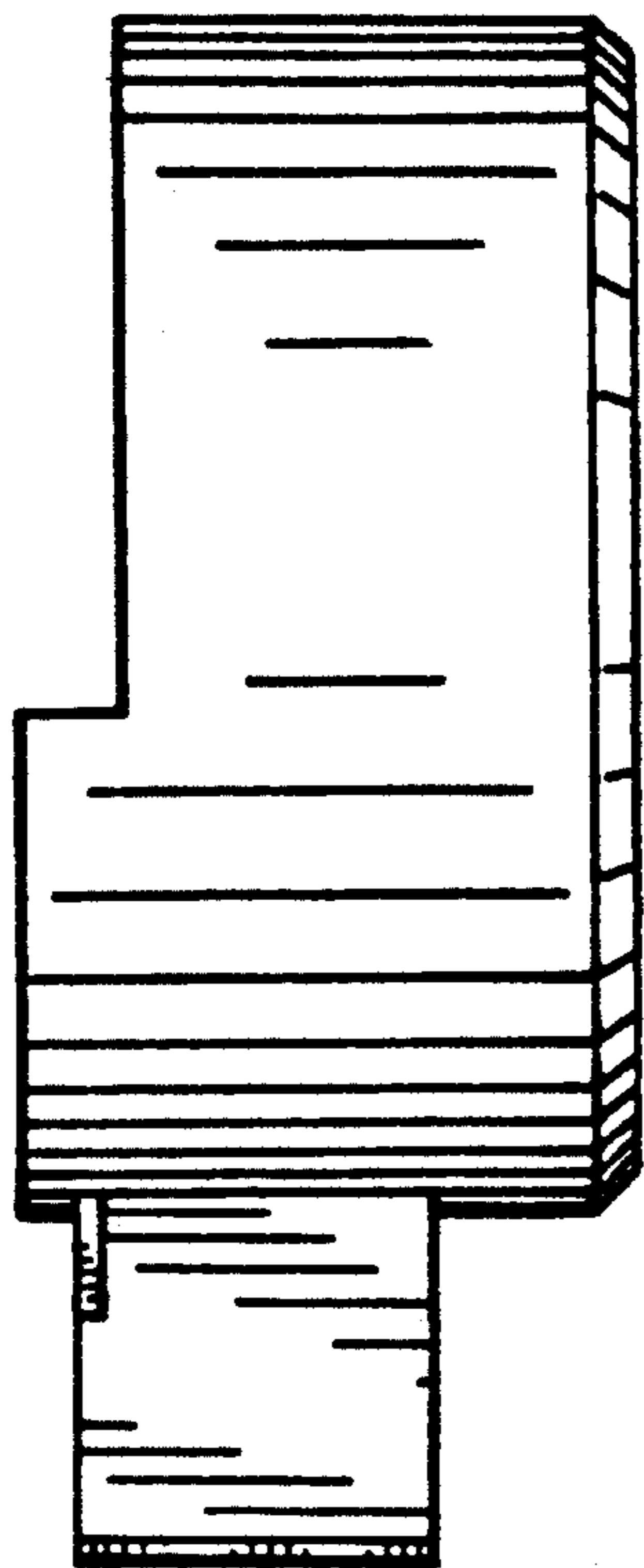


FIG. 10

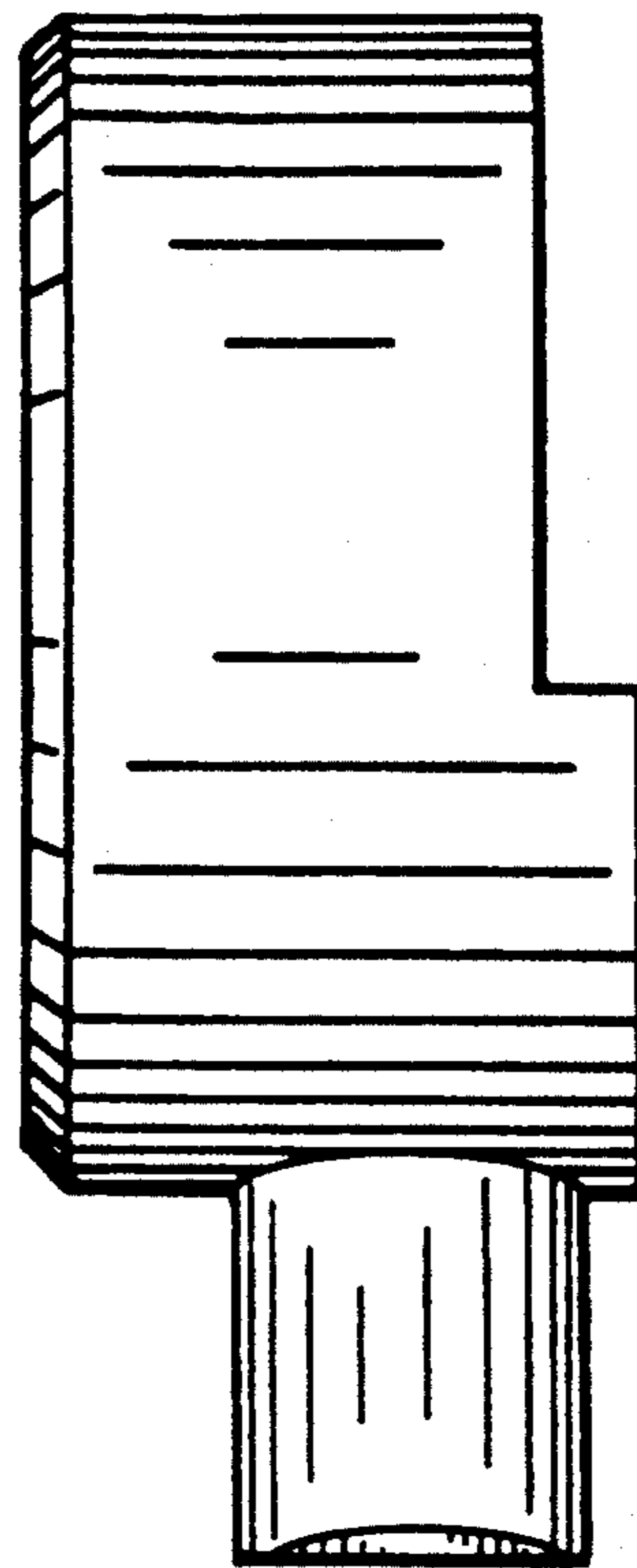


FIG. 9

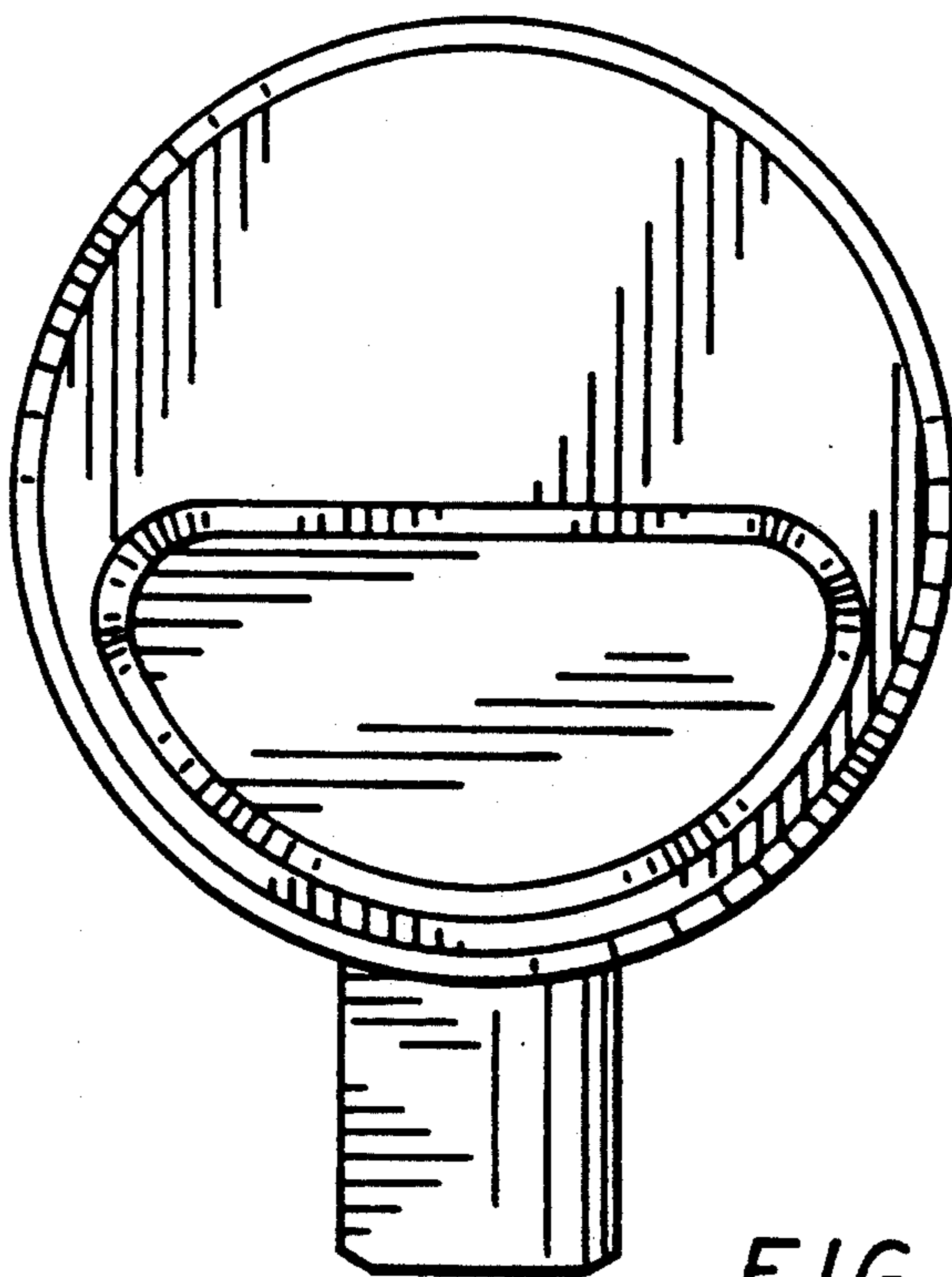


FIG. 8

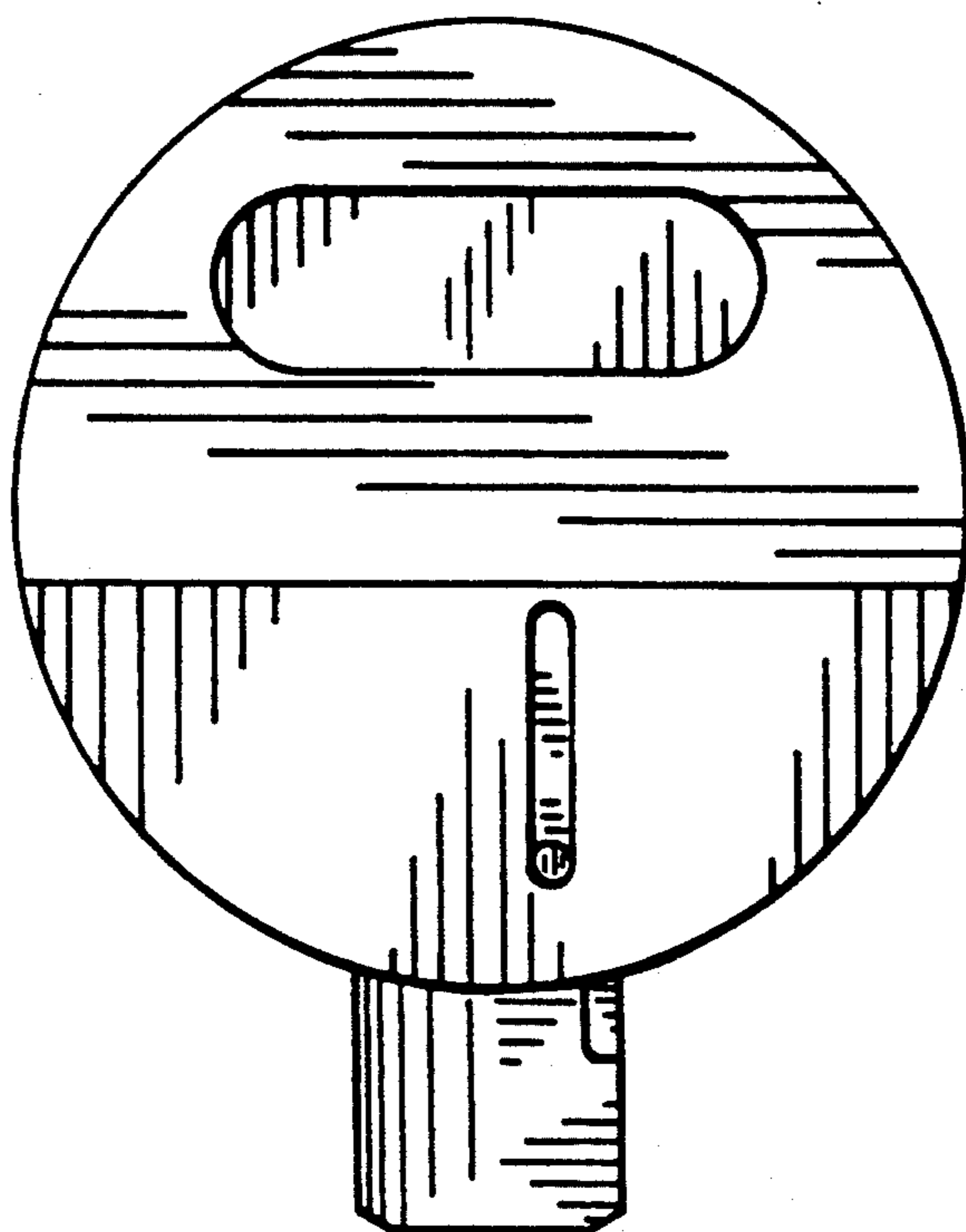


FIG. 11