



US00D336027S

United States Patent [19]

[11] Patent Number: **Des. 336,027**

Demers

[45] Date of Patent: **** Jun. 1, 1993**

[54] **CONTOUR SANDER**

[76] Inventor: **Michael J. Demers, 75 Cambridge St., Lawrence, Mass. 01843**

[**] Term: **14 Years**

[21] Appl. No.: **703,357**

[22] Filed: **May 21, 1991**

[52] U.S. Cl. **D8/90; D25/124**

[58] Field of Search **D8/90, 91, 14; D21/108; D25/121, 122, 124; 51/358, 359, 380, 391, 392**

3,411,305 11/1968 Cella D25/124
 4,441,301 4/1984 Benson D25/122
 4,542,610 9/1985 Weimar D25/124
 4,845,901 7/1989 Hamlin 51/391

OTHER PUBLICATIONS

Anchor Plastics Catalog, 1960, Cover Page, Extrusions.
Primary Examiner—Bernard Ansher
Assistant Examiner—P. Hyder
Attorney, Agent, or Firm—Edward A. Gordon

[56] **References Cited**

U.S. PATENT DOCUMENTS

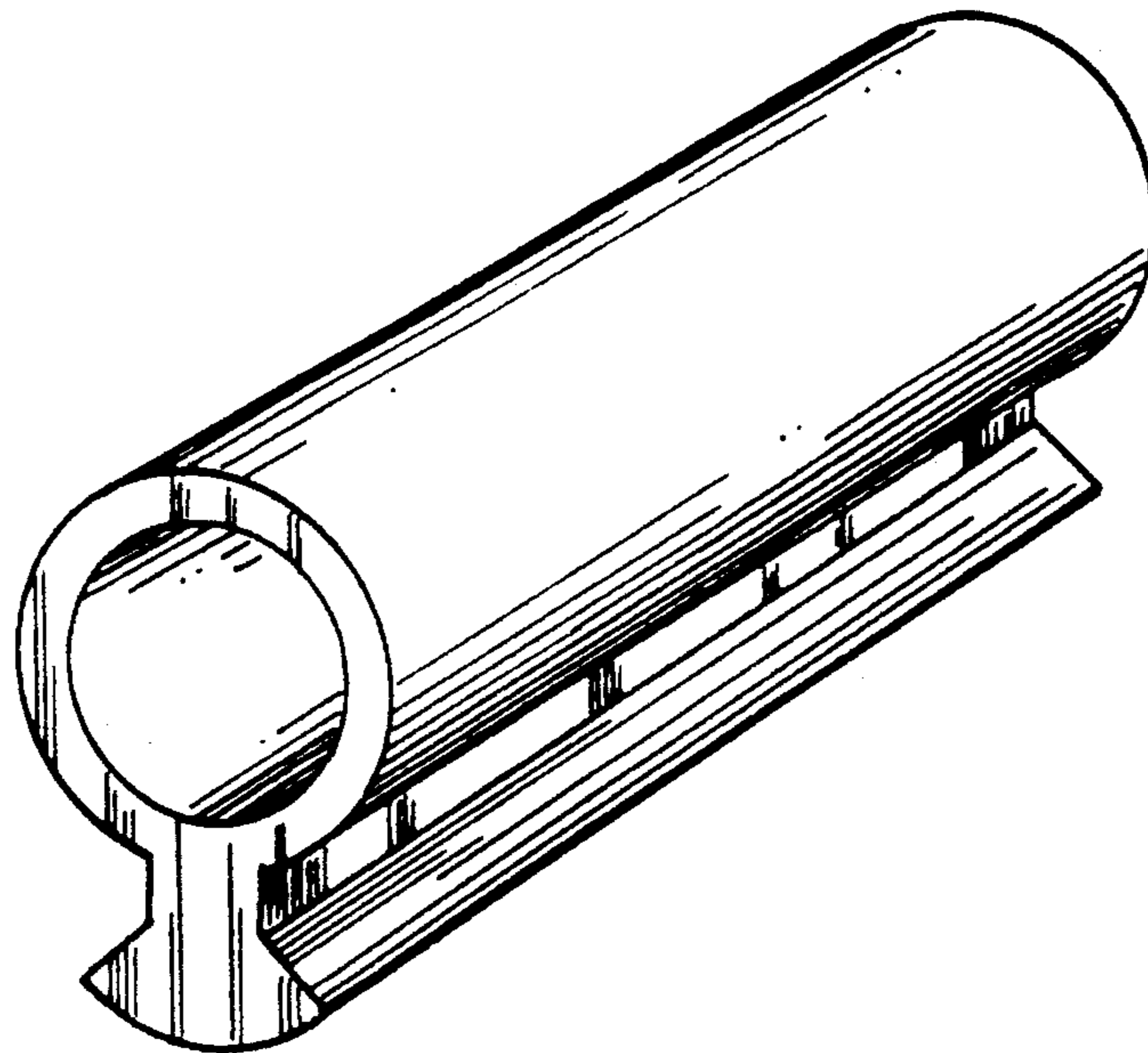
148,698 3/1874 Higgins 51/393
 D. 218,260 8/1970 Westervelt D25/124
 D. 219,726 1/1971 van Horn D8/91
 D. 269,637 7/1983 Challis D25/121
 1,839,557 1/1932 Hilwig 51/392
 1,927,574 9/1933 Park 51/392
 3,355,795 12/1967 Clark D25/122

[57] **CLAIM**

The ornamental design for a contour sander, as shown and described.

DESCRIPTION

FIG. 1 is a perspective view of a contour sander showing my new design;
 FIG. 2 is a side elevational view thereof;
 FIG. 3 is a bottom plan view thereof; and,
 FIG. 4 is a front elevational view thereof.



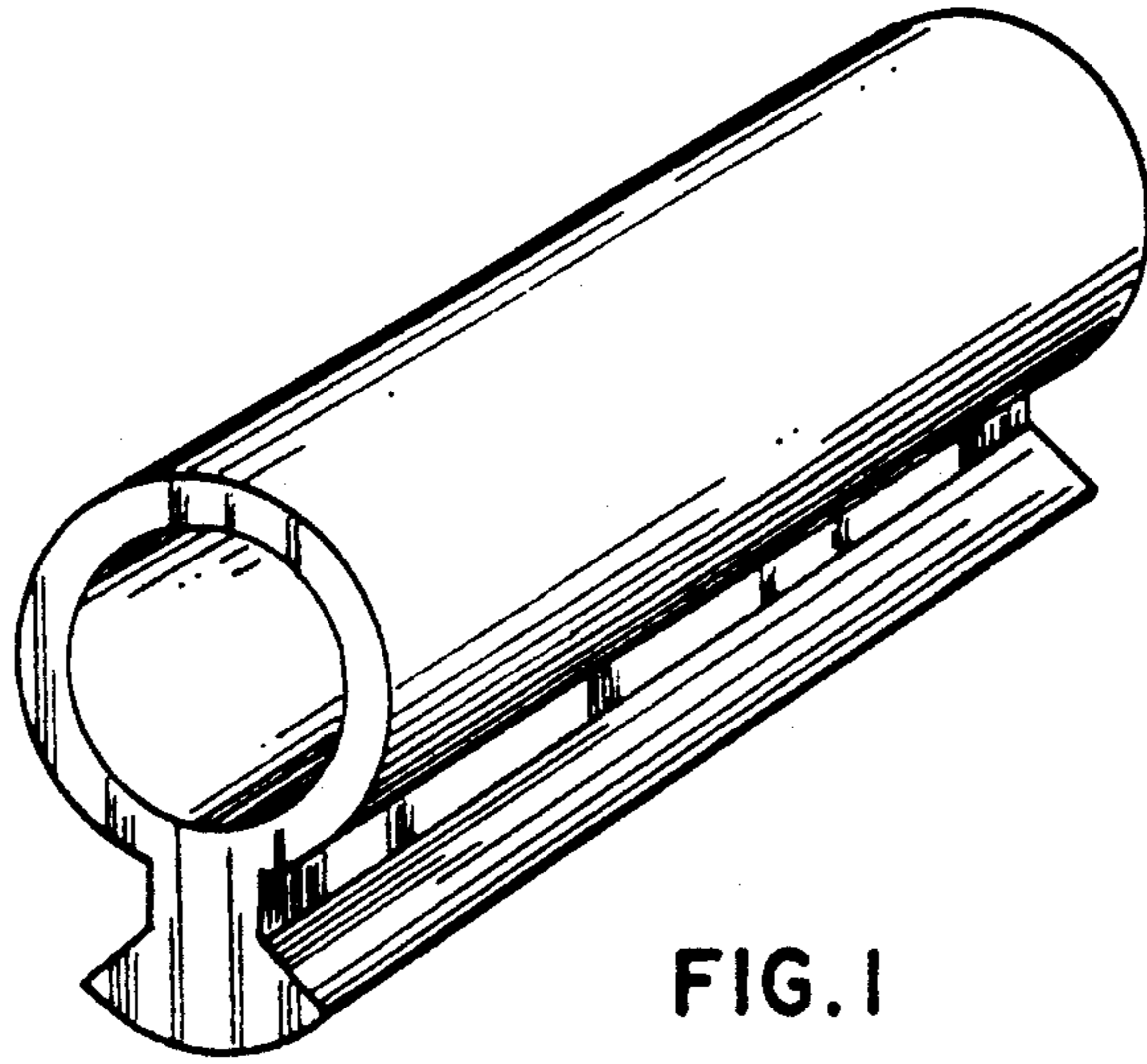


FIG. 1

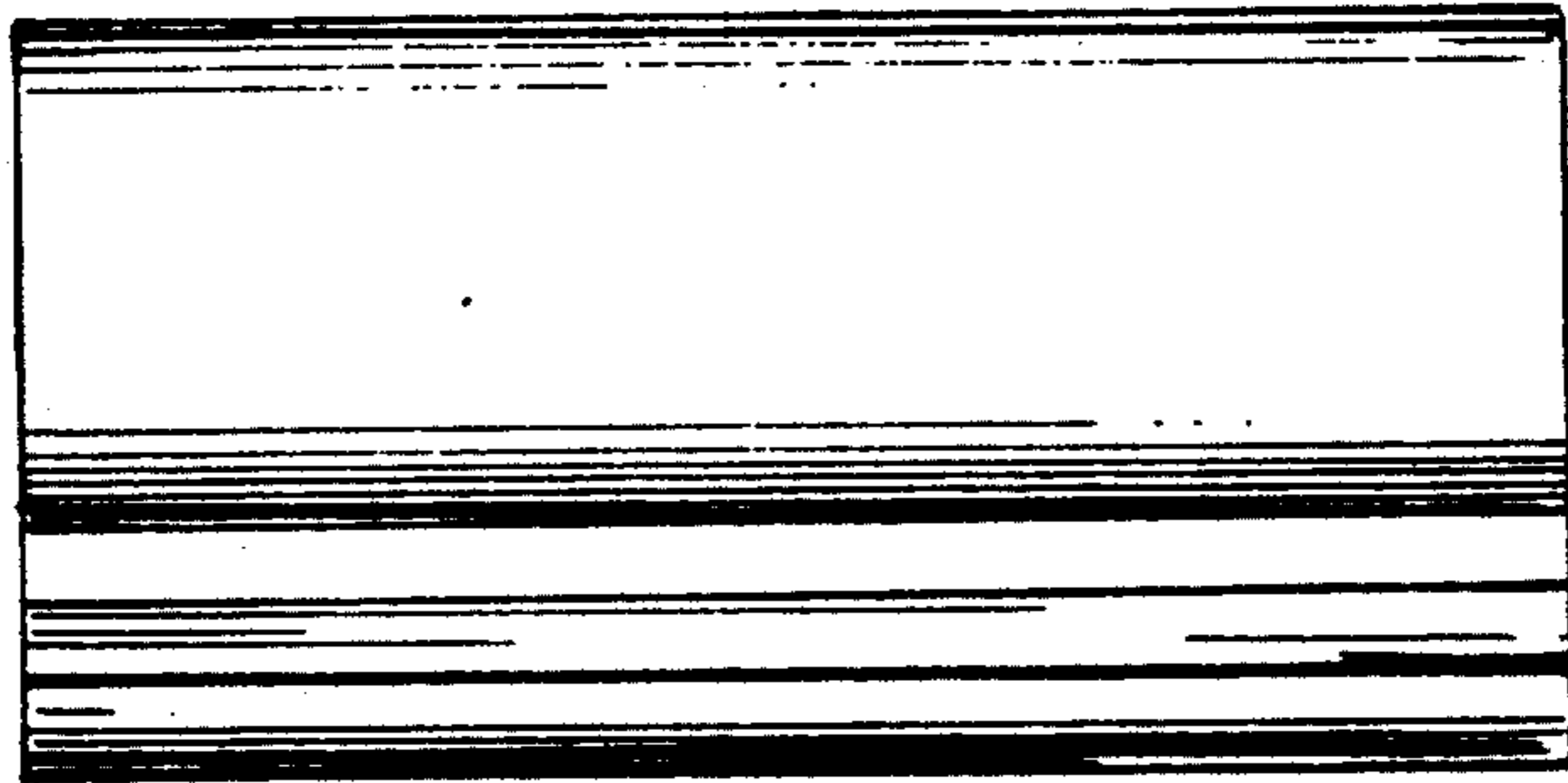


FIG. 2

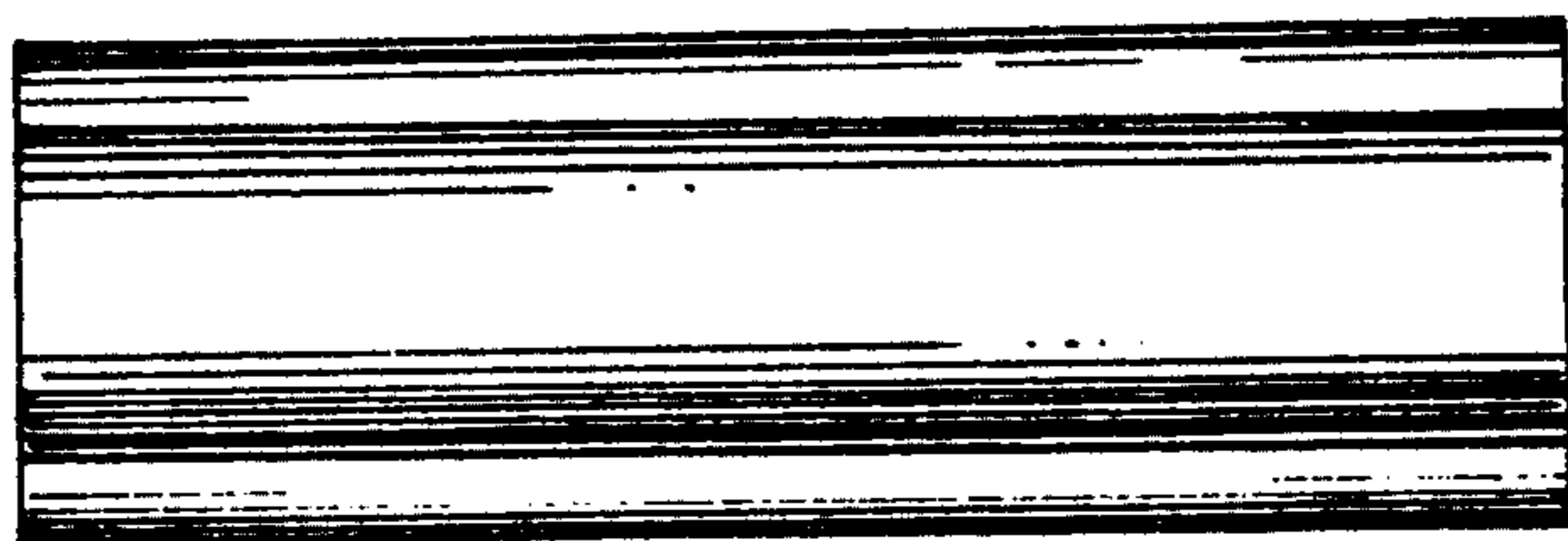


FIG. 3

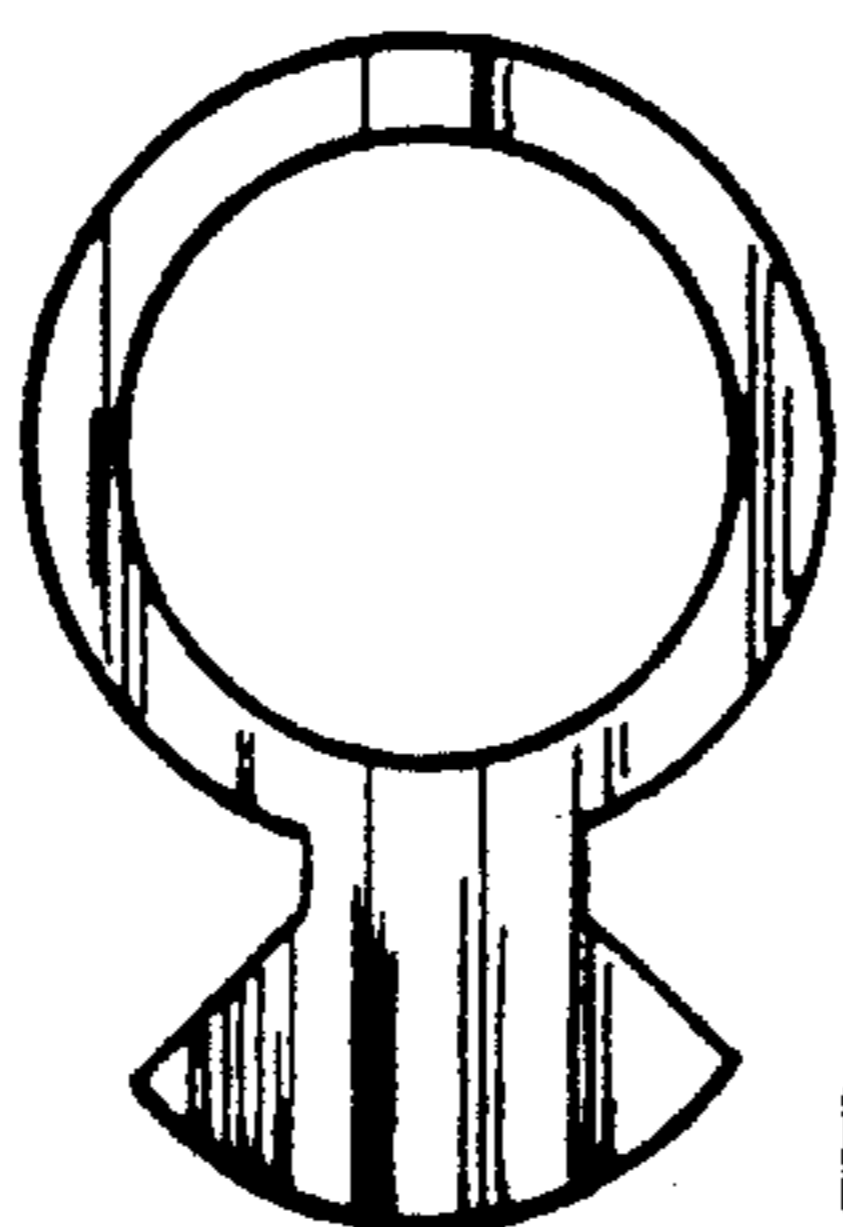


FIG. 4