



US00D336026S

United States Patent [19]

[11] Patent Number: **Des. 336,026**

Fujiwara

[45] Date of Patent: **** Jun. 1, 1993**

[54] NAIL PULLING MACHINE

4,770,023 9/1988 Schwab 29/243.53
5,141,205 8/1992 Iwai et al. 254/18

[75] Inventor: **Nobuaki Fujiwara, Hiroshima, Japan**

Primary Examiner—Alan P. Douglas
Assistant Examiner—J. H. Musgrove
Attorney, Agent, or Firm—Sughrue, Mion Zinn
Macpeak & Seas

[73] Assignee: **Ryobi Ltd., Hiroshima, Japan**

[**] Term: **14 Years**

[21] Appl. No.: **681,193**

[22] Filed: **Apr. 2, 1991**

[57] **CLAIM**

The ornamental design for a nail pulling machine, as shown.

[30] **Foreign Application Priority Data**

Oct. 3, 1990 [JP] Japan 2-33509

DESCRIPTION

[52] U.S. Cl. **D8/68**

[58] Field of Search D8/61, 68; 254/18, 29;
29/243.54, 243.53

FIG. 1 is a front, bottom and left side perspective view of a nail pulling machine showing my new design; FIG. 2 is a right side elevational view thereof; FIG. 3 is a left side elevational view thereof; FIG. 4 is a front elevational view thereof; FIG. 5 is a rear elevational view thereof; FIG. 6 is a top plan view thereof; and, FIG. 7 is a bottom plan view thereof.

[56] **References Cited**

U.S. PATENT DOCUMENTS

2,570,914 10/1951 Buck 254/18
4,078,766 3/1978 Saurwein 254/18

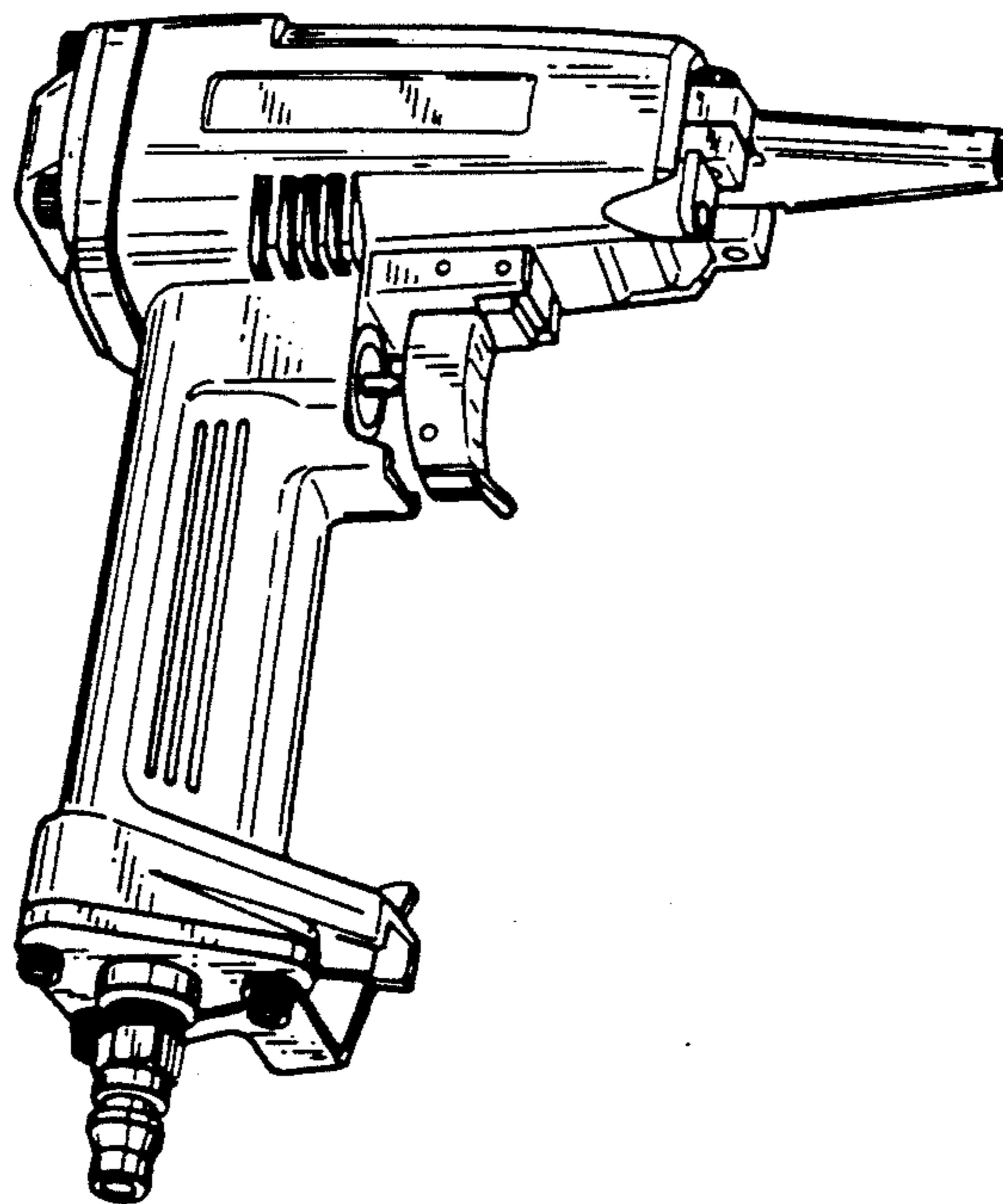


Fig. 1

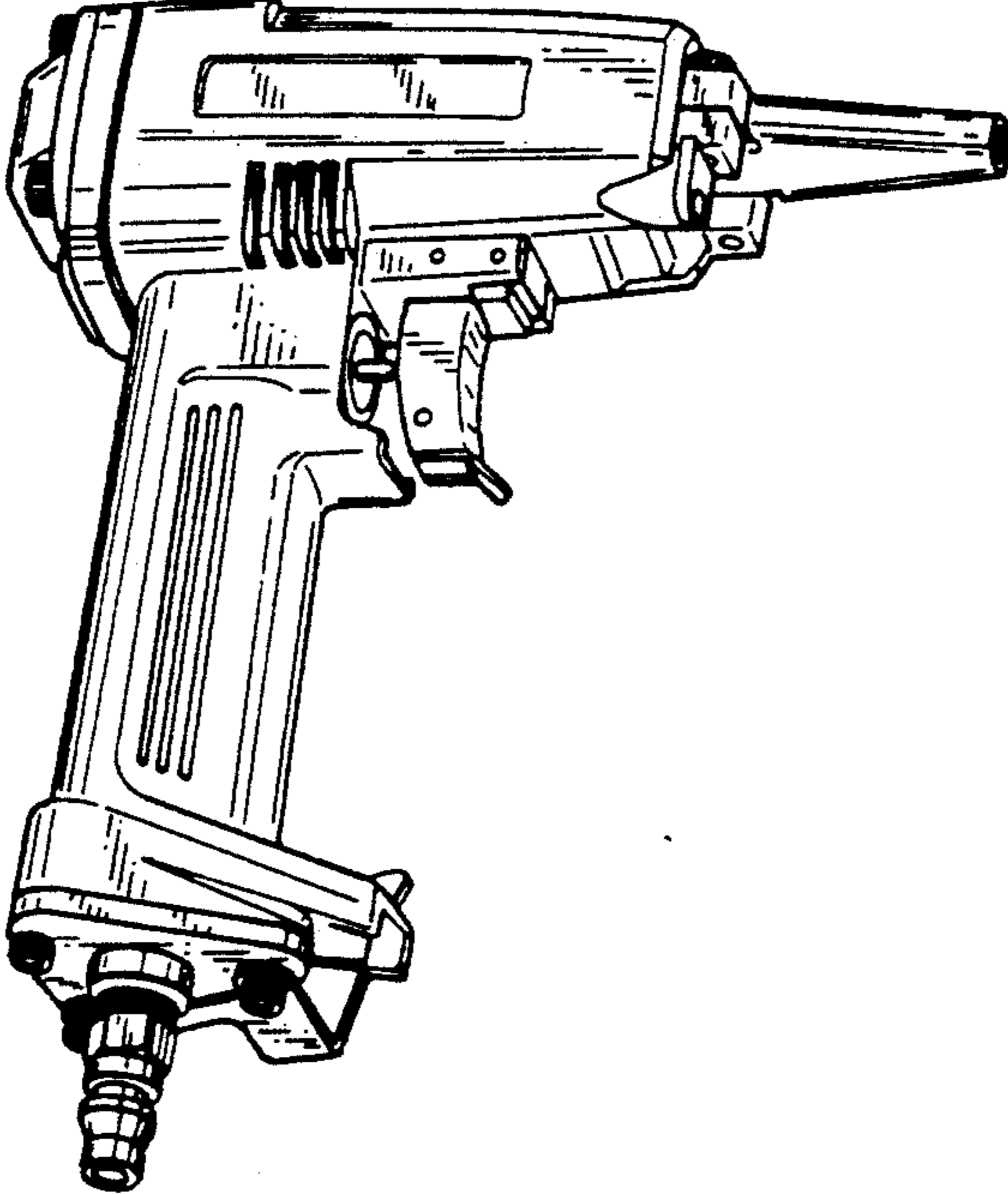


Fig. 3

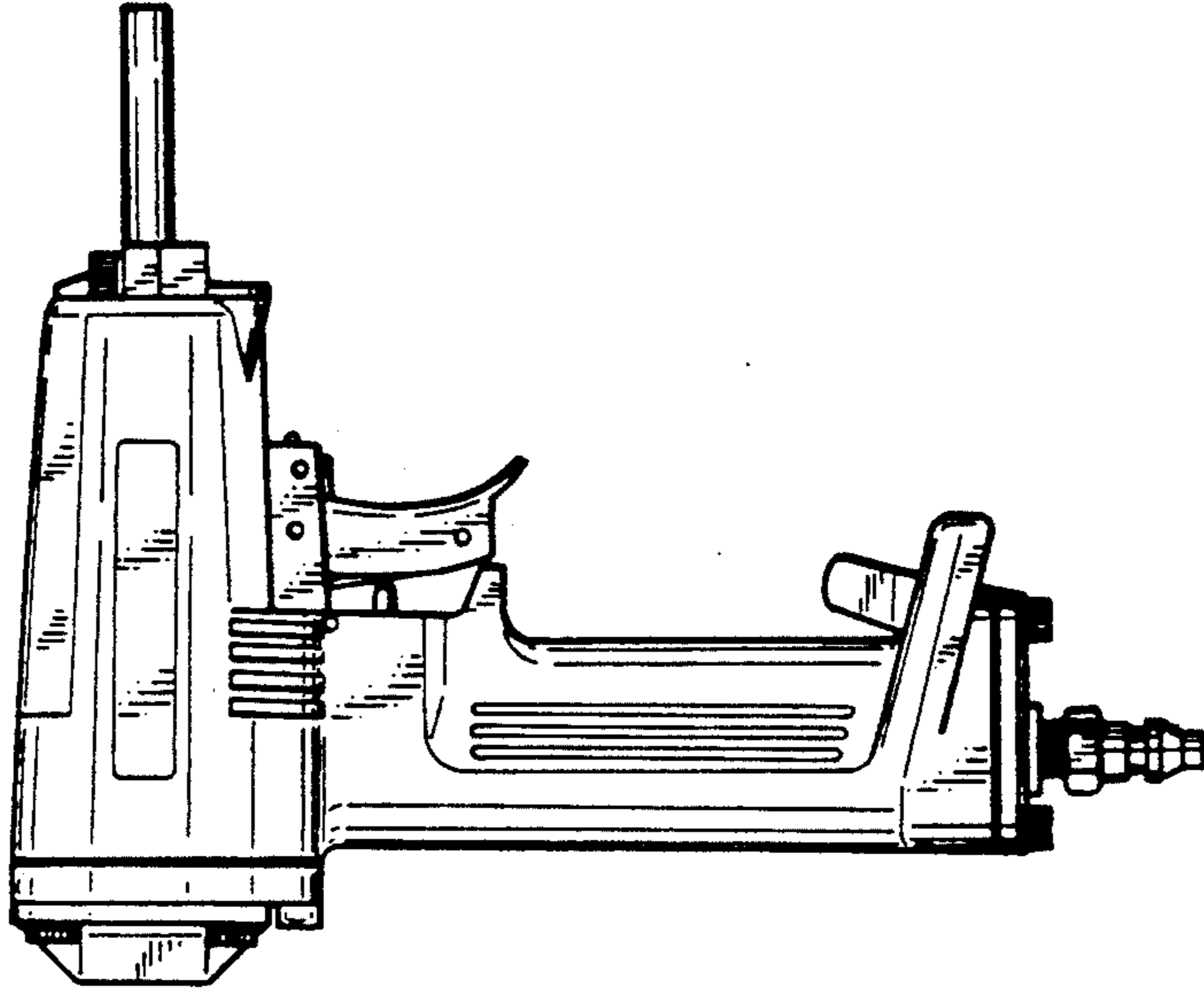


Fig. 2

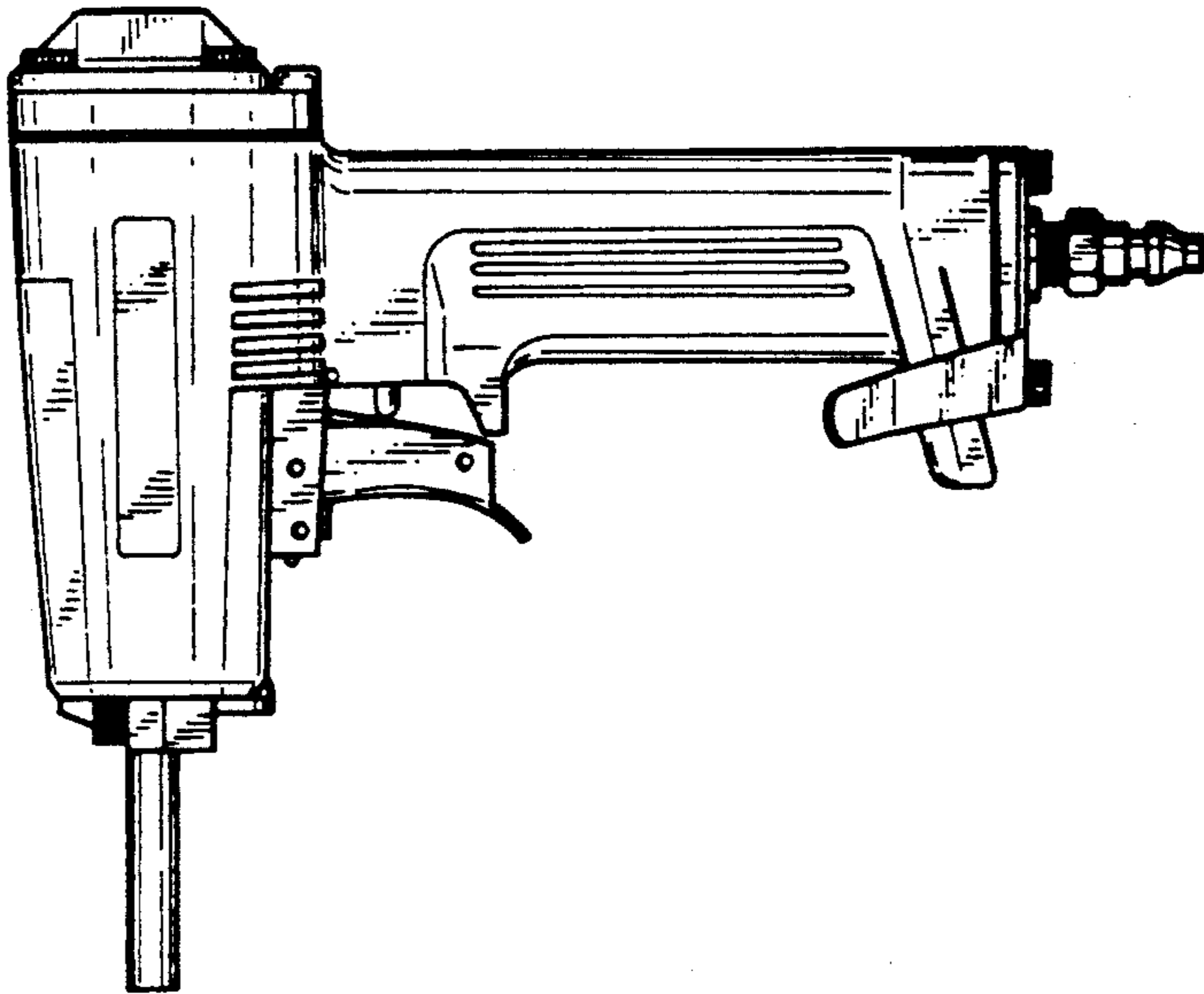


Fig. 4

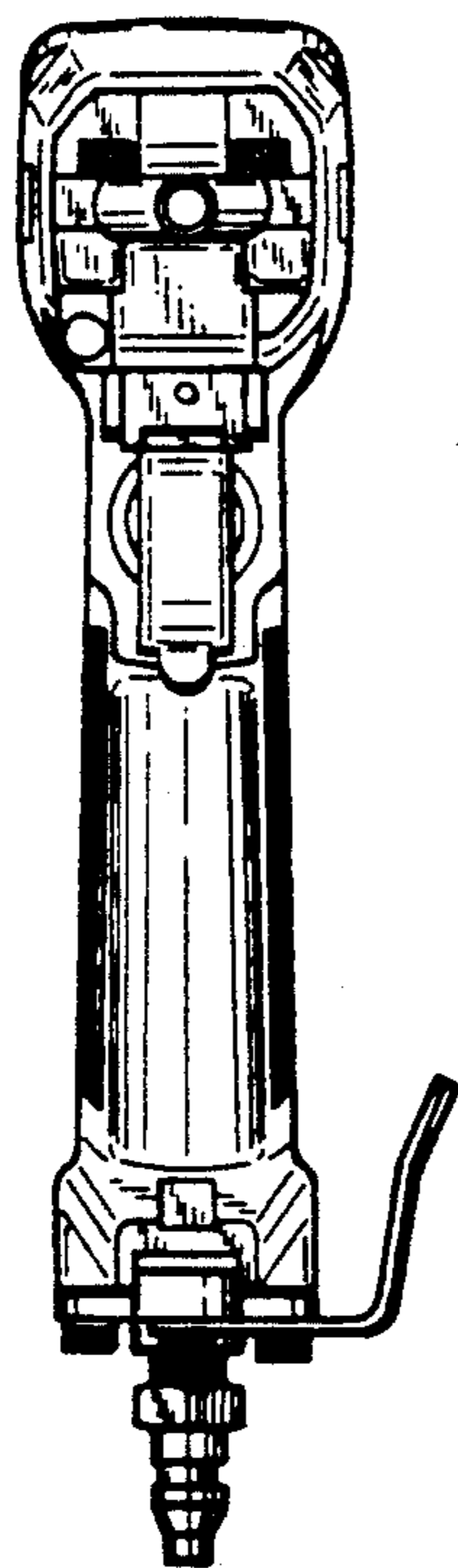


Fig. 5

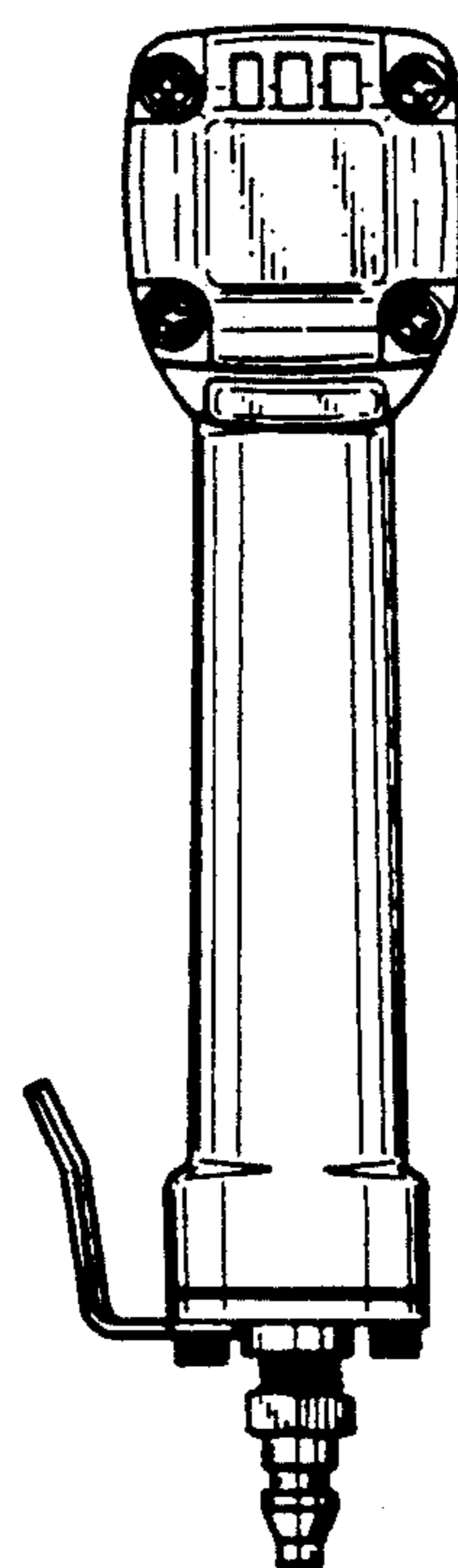


Fig. 6

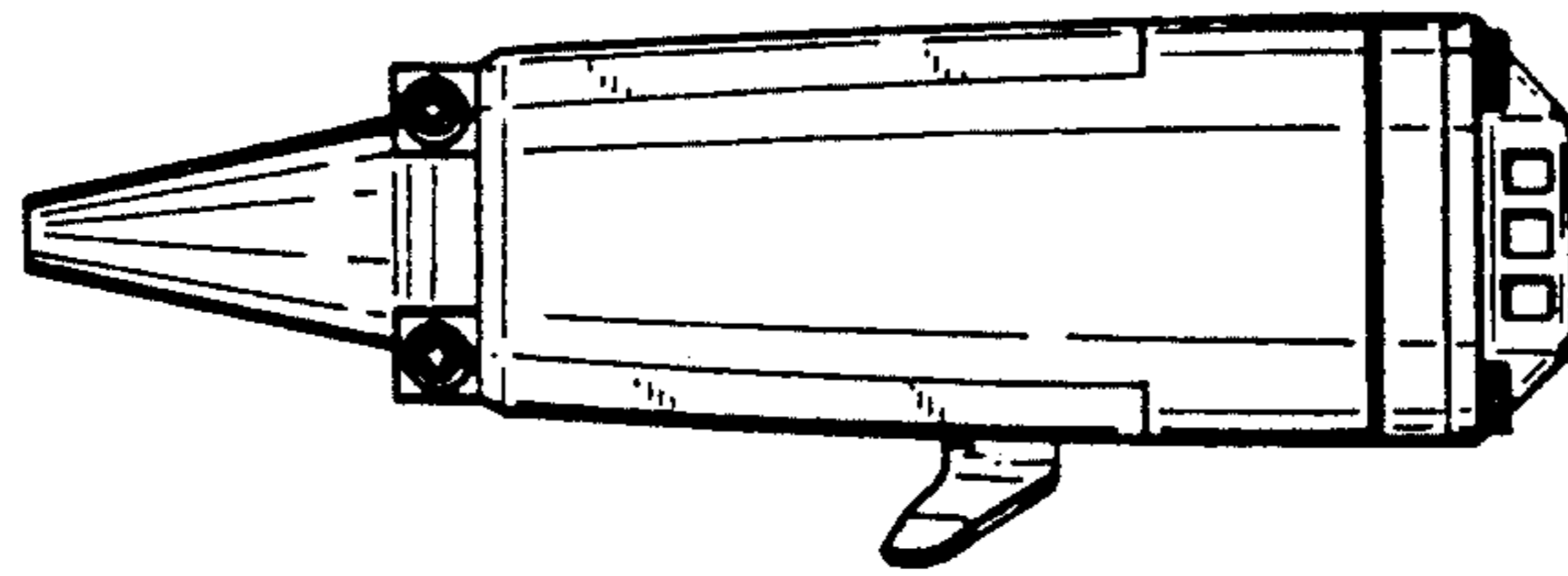


Fig. 7

