



US00D336025S

United States Patent [19]

[11] Patent Number: **Des. 336,025**

Steiner

[45] Date of Patent: **** Jun. 1, 1993**

[54] **TOOL FOR CRIMPING ELECTRICAL CONNECTIONS**

[75] Inventor: **Richard A. Steiner, East Haddam, Conn.**

[73] Assignee: **Rostra Tool Company, Branford, Conn.**

[**] Term: **14 Years**

[21] Appl. No.: **770,096**

[22] Filed: **Oct. 3, 1991**

[52] U.S. Cl. **D8/52**

[58] Field of Search **D8/52, 51, 32; 72/410, 72/409; 81/417, 418**

4,353,240 10/1982 Undin et al. 81/417
 4,381,661 5/1983 Wiener et al. 81/418
 4,630,462 12/1986 Wiener et al. 72/410
 4,637,242 1/1987 Undin et al. 72/410
 4,719,789 1/1988 Wiebe et al. 72/410
 4,980,962 1/1991 Wiebe 72/410

Primary Examiner—Bernard Ansher
Assistant Examiner—P. Hyder
Attorney, Agent, or Firm—John H. Crozier

[57] CLAIM

The ornamental design for a tool for crimping electrical connections, as shown.

DESCRIPTION

FIG. 1 is a left side elevational view of a tool for crimping electrical connections showing my new design; FIG. 2 is a left side elevational view thereof; FIG. 3 is a front elevational view thereof; FIG. 4 is a rear elevational view thereof; FIG. 5 is a top plan view; and, FIG. 6 is a left side/front perspective view thereof.

[56] **References Cited**
U.S. PATENT DOCUMENTS

D. 284,734	7/1986	Kurylo et al.	D8/32
D. 287,929	1/1987	Hägg et al.	D8/51
4,041,740	8/1977	Villazon	81/418
4,283,933	8/1981	Wiener	72/409

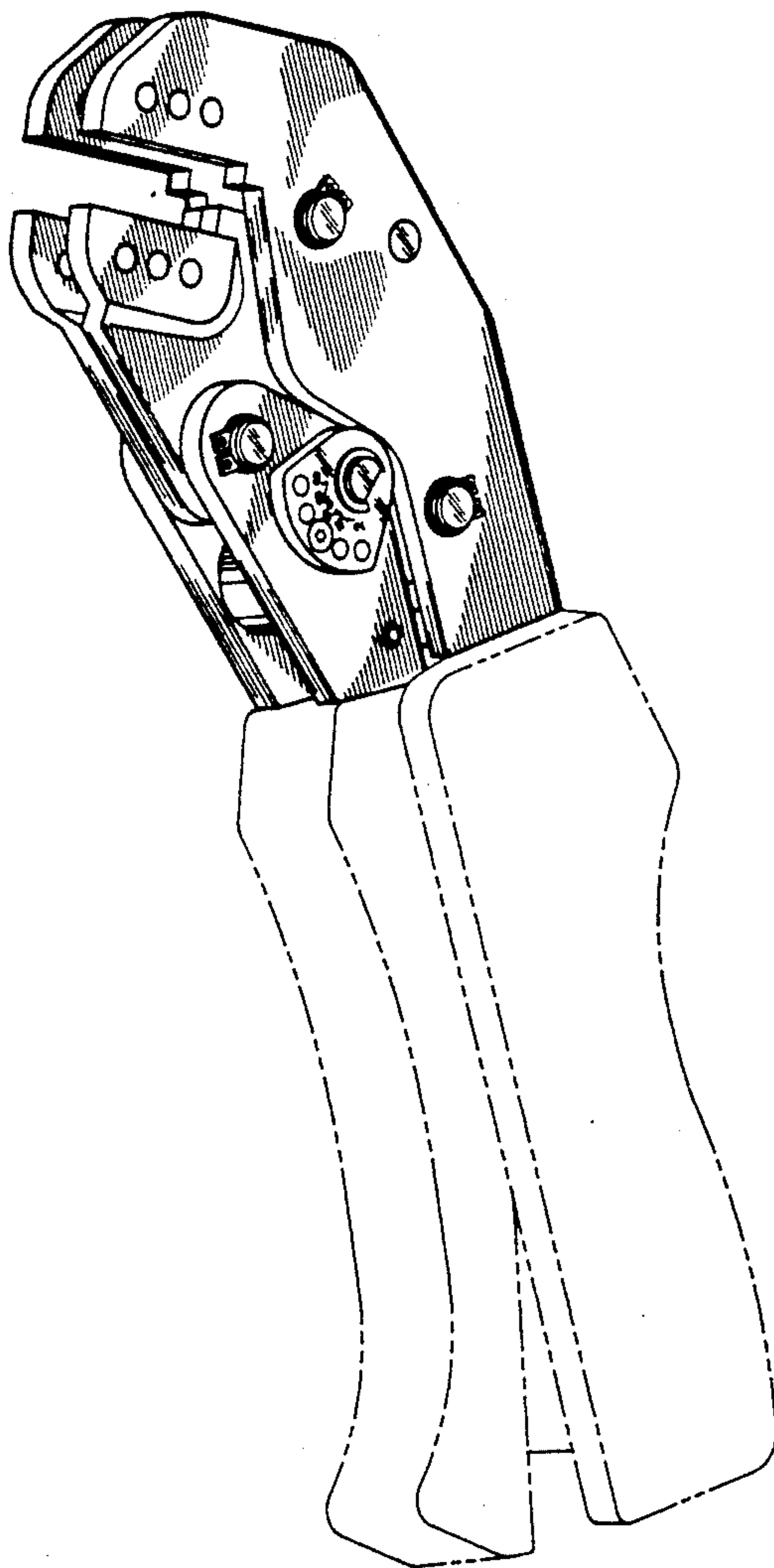




FIG. 5

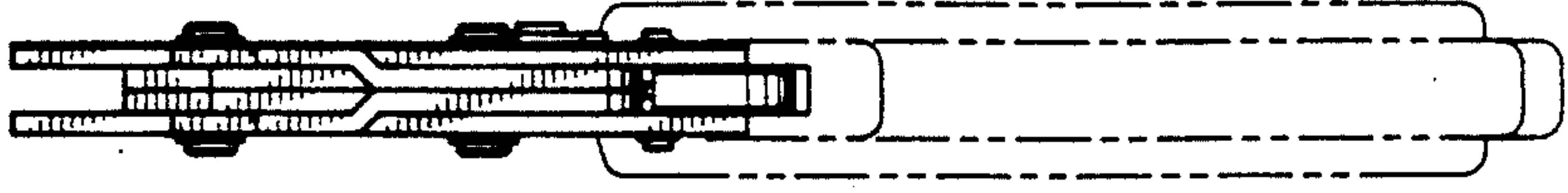


FIG. 3

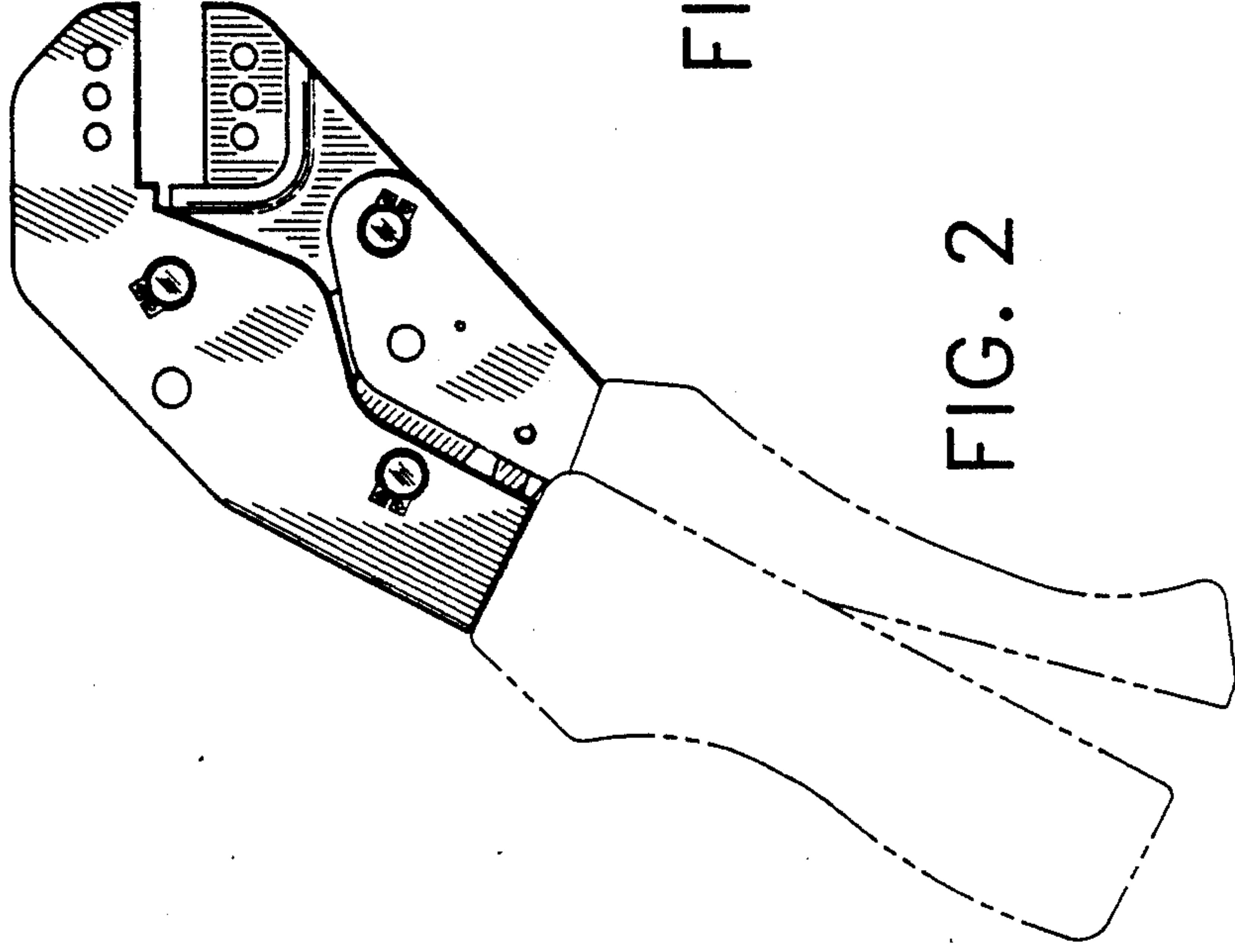


FIG. 2



FIG. 4

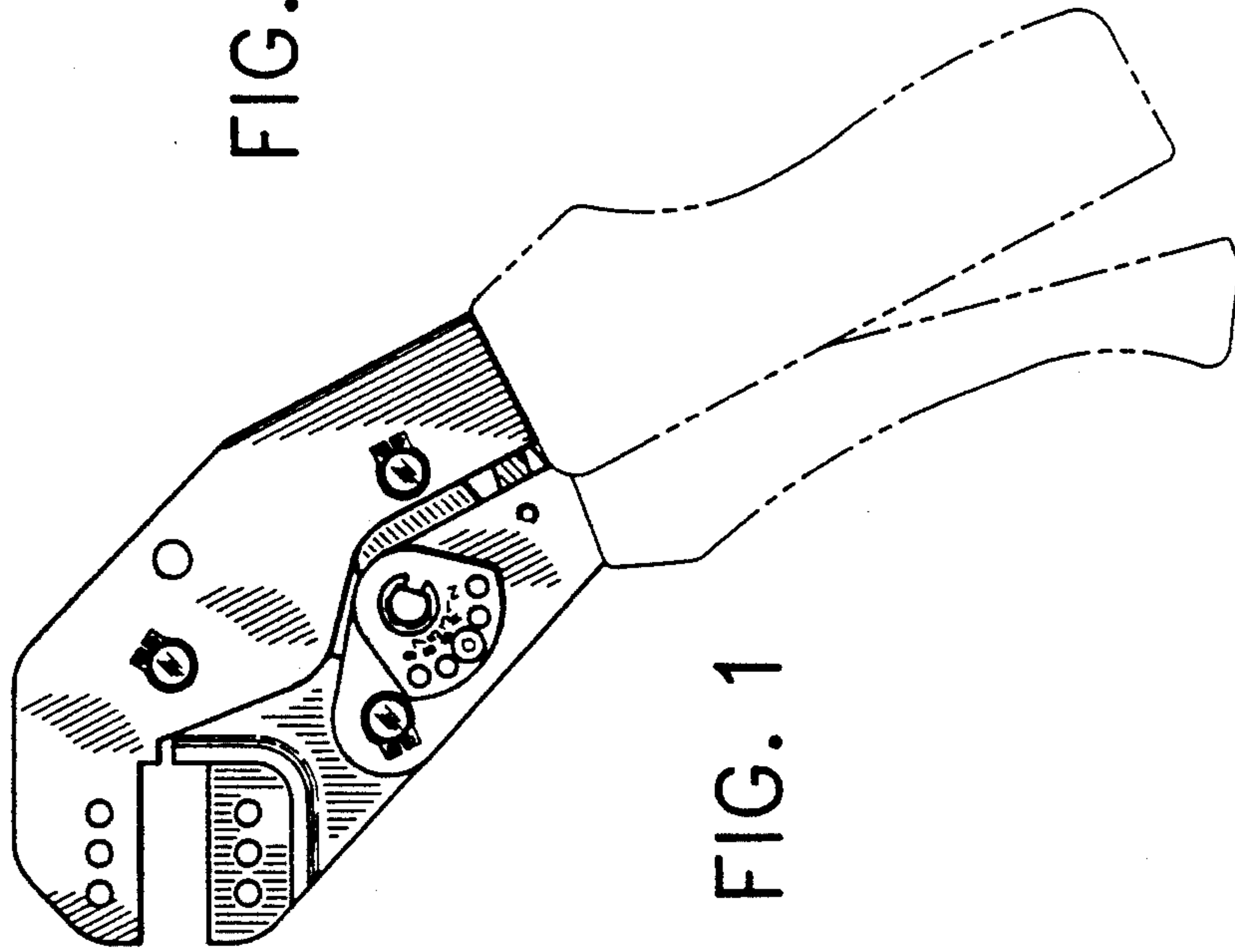


FIG. 1

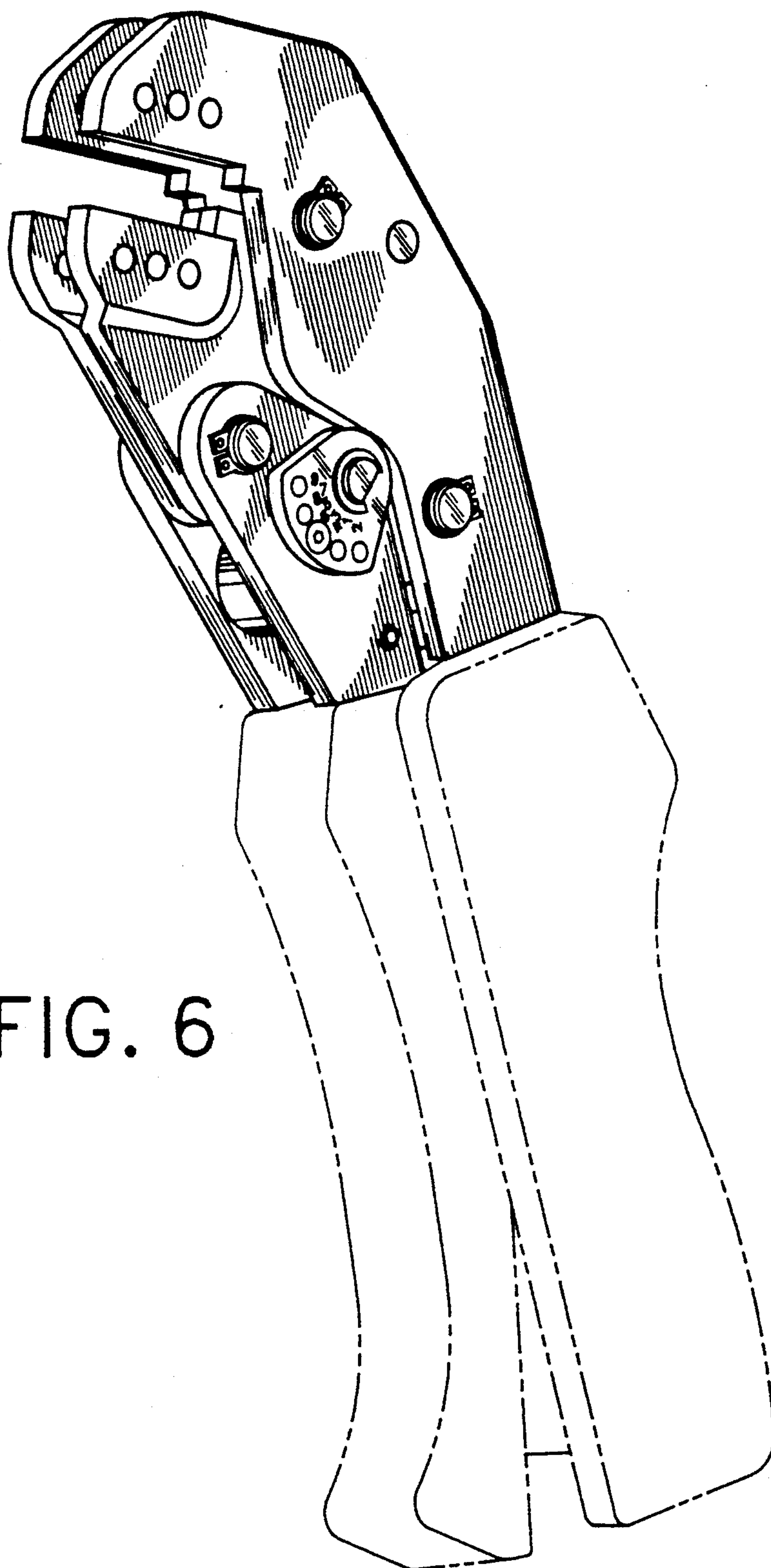


FIG. 6