



US00D336024S

# United States Patent [19]

[11] Patent Number: **Des. 336,024**

Mele

[45] Date of Patent: **\*\* Jun. 1, 1993**

[54] **WOOD SPLITTING WEDGE**

4,509,573	4/1985	Santmyer, Jr. ....	254/104
4,625,489	12/1986	Bögle .....	254/104
4,932,127	6/1990	Burke .....	144/193 D

[76] Inventor: **Peter C. Mele**, P.O. Box 1596, Burlington, Vt. 05402

*Primary Examiner*—Bernard Ansher  
*Assistant Examiner*—Philip Hyder  
*Attorney, Agent, or Firm*—Thomas N. Neiman

[\*\*] Term: **14 Years**

[21] Appl. No.: **745,617**

[57] **CLAIM**

[22] Filed: **Aug. 15, 1991**

The ornamental design for a wood splitting wedge, as shown and described.

[52] U.S. Cl. .... **D8/47**

[58] Field of Search .... **D8/47; 254/104; 144/193 D, 193 R, 193 A, 193 C**

**DESCRIPTION**

[56] **References Cited**

**U.S. PATENT DOCUMENTS**

D. 238,745	2/1976	Bedard .....	D8/47
D. 269,495	6/1983	Finn .....	D8/47
D. 283,483	4/1986	Hillinger .....	D8/47
D. 286,008	10/1986	Hillinger .....	D8/47
4,382,459	5/1983	Bartok .....	144/193 D
4,465,113	8/1984	Hillinger .....	144/193 D

FIG. 1 is a left side elevational view of a wood splitting wedge;  
FIG. 2 is a rear elevational view thereof;  
FIG. 3 is a front elevational view thereof;  
FIG. 4 is a top plan view thereof, the bottom view appearing the same; and,  
FIG. 5 is a perspective view thereof.  
The broken line showing of the handle is for illustrative purposes only and forms no part of the claimed design.

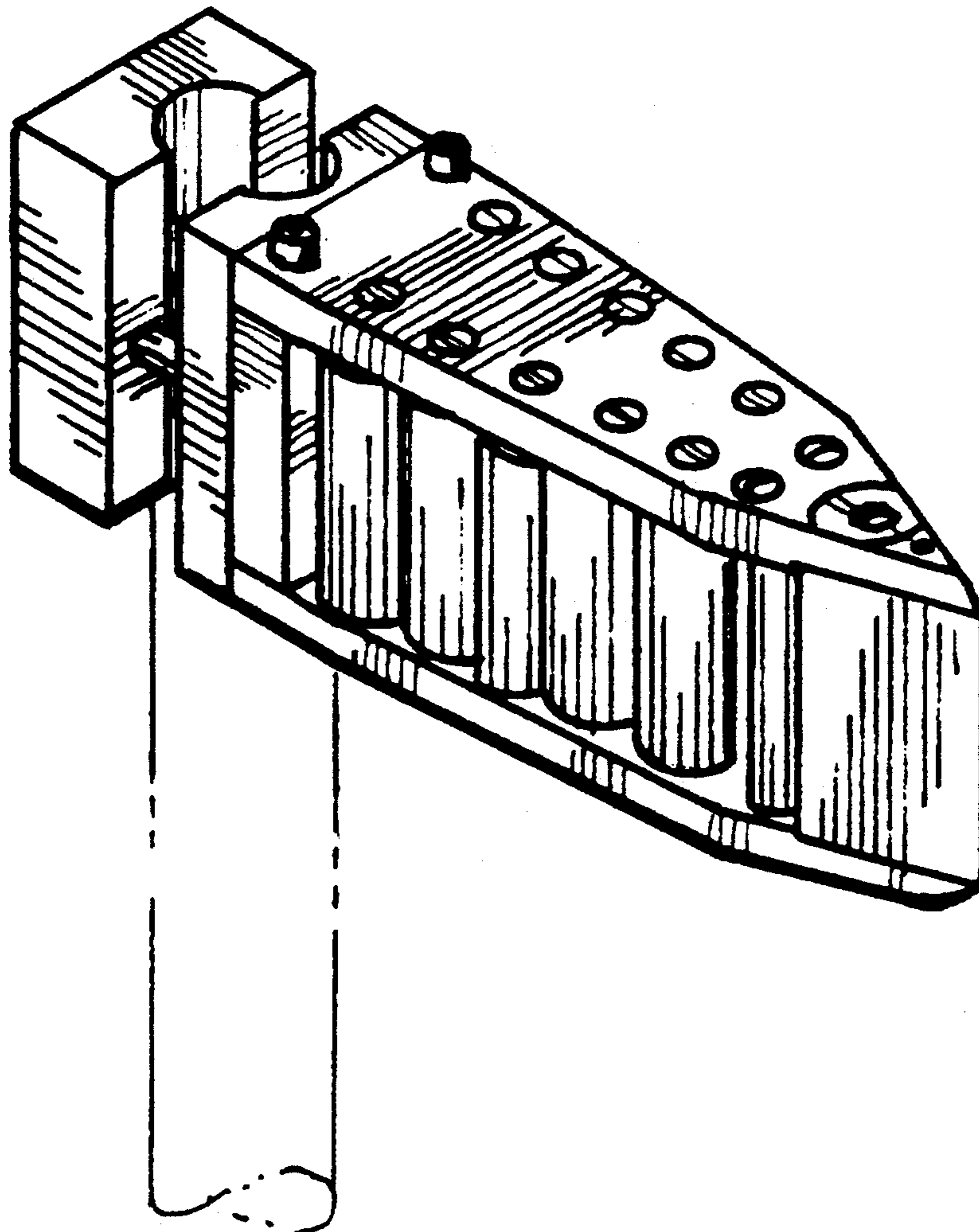


FIG. 4

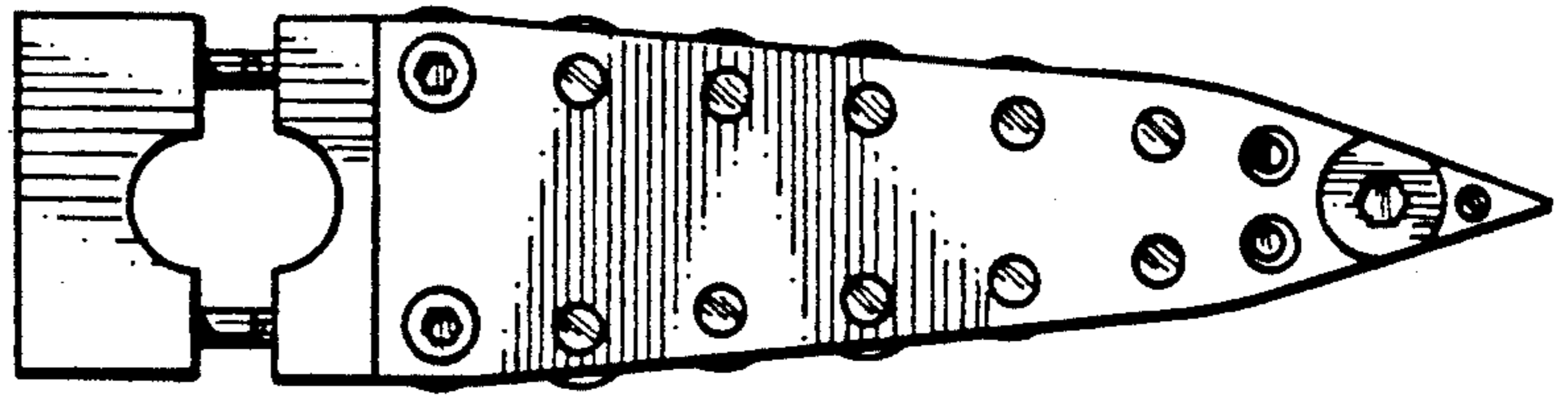


FIG. 2

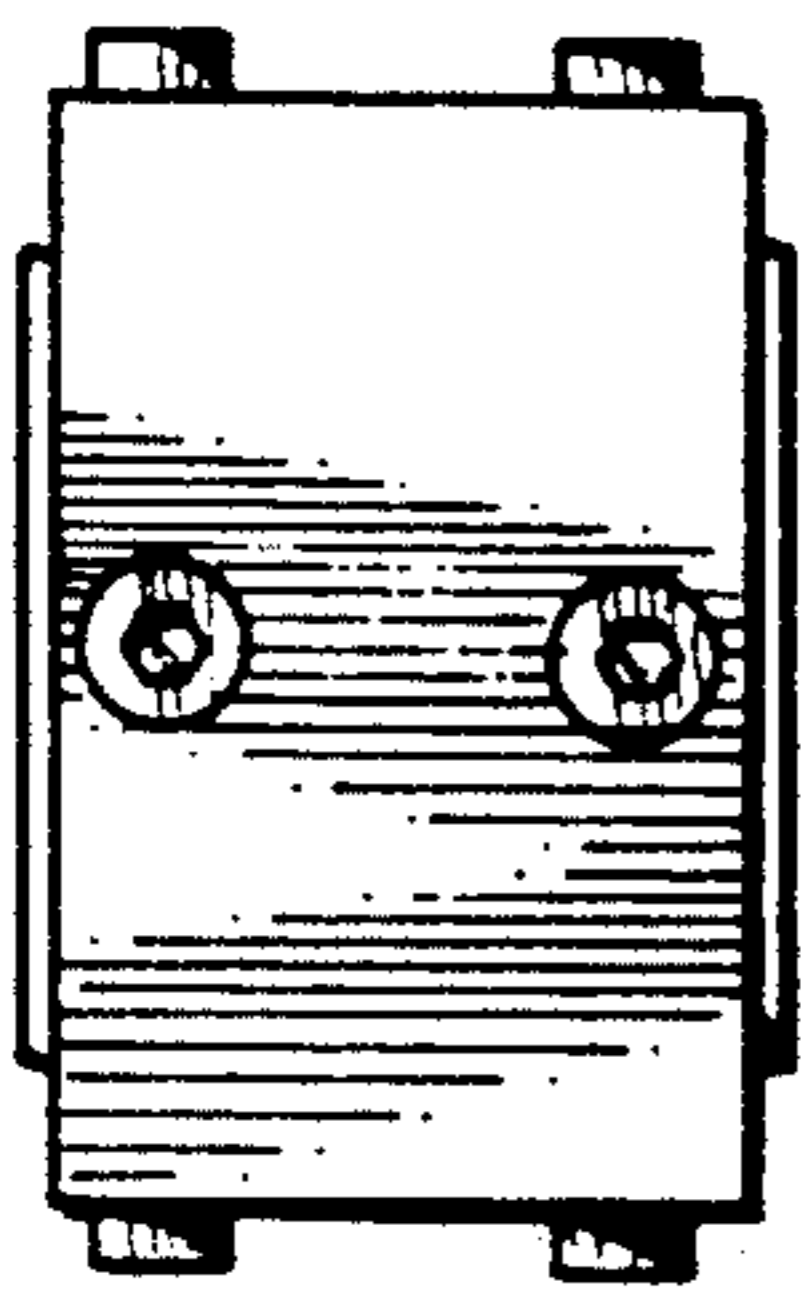


FIG. 1

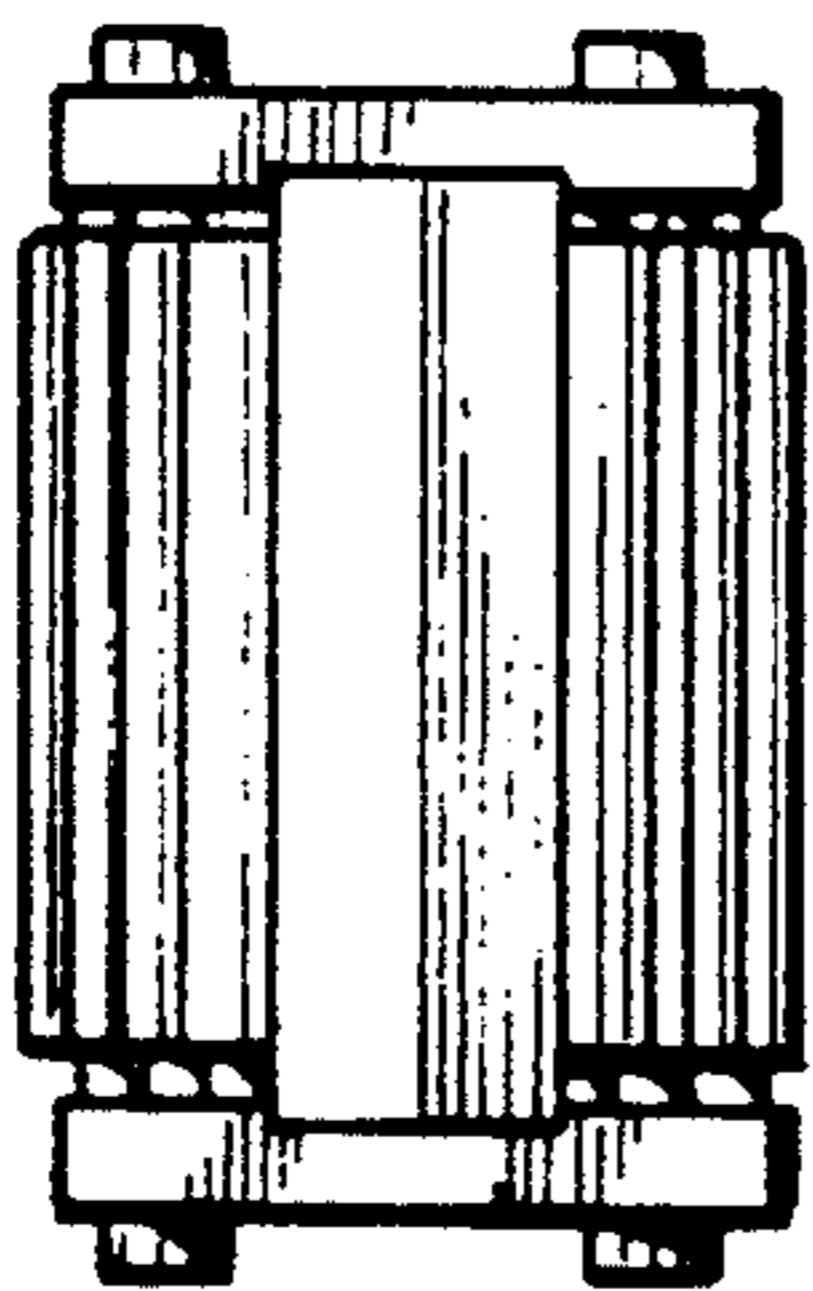
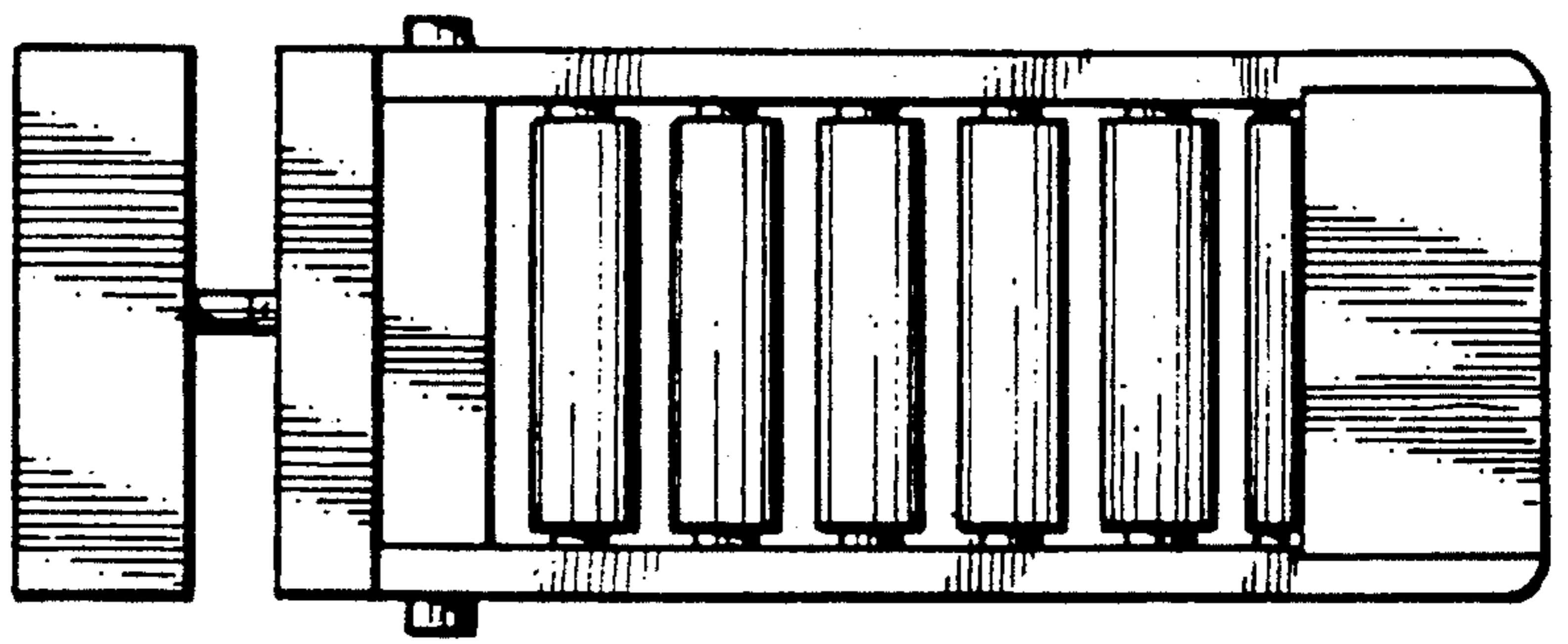


FIG. 3

FIG. 5

