



US00D336023S

United States Patent [19]

[11] Patent Number: **Des. 336,023**

Alpers

[45] Date of Patent: **** Jun. 1, 1993**

[54] CONTAINER OPENER

959,220 5/1910 Hoeft 81/3.4
4,967,622 11/1990 Phillips 81/3.4

[76] Inventor: **Hugo Alpers**, 12525 Rockhaven Rd.,
Chesterland, Ohio 44026

OTHER PUBLICATIONS

Foster House 1977 "Easy-Opener".

[**] Term: **14 Years**

Primary Examiner—Bernard Ansher

[21] Appl. No.: **866,451**

Assistant Examiner—R. Barkai

[22] Filed: **Apr. 10, 1992**

Attorney, Agent, or Firm—Watts, Hoffmann, Fisher &
Heinke Co.

[52] U.S. Cl. **D8/40**

[58] Field of Search **D8/18, 33-37,**
D8/39-43; D11/79; D3/62, 64; 81/3.4, 3.44,
3.07, 3.09, 3.2, 3.25, 3.33, 3.35, 3.45, 3.47, 3.48,
3.55, 3.57; 7/152, 156

[57] CLAIM

The ornamental design for a container opener, as shown
and described.

[56] References Cited

U.S. PATENT DOCUMENTS

D. 109,695	5/1938	Calencia	D8/40
D. 196,249	9/1963	Kominik	D8/40
D. 238,411	1/1976	Levenson	D8/40
D. 303,345	9/1989	Sawatsky	D8/40
D. 311,668	10/1990	Bryant	D8/40

DESCRIPTION

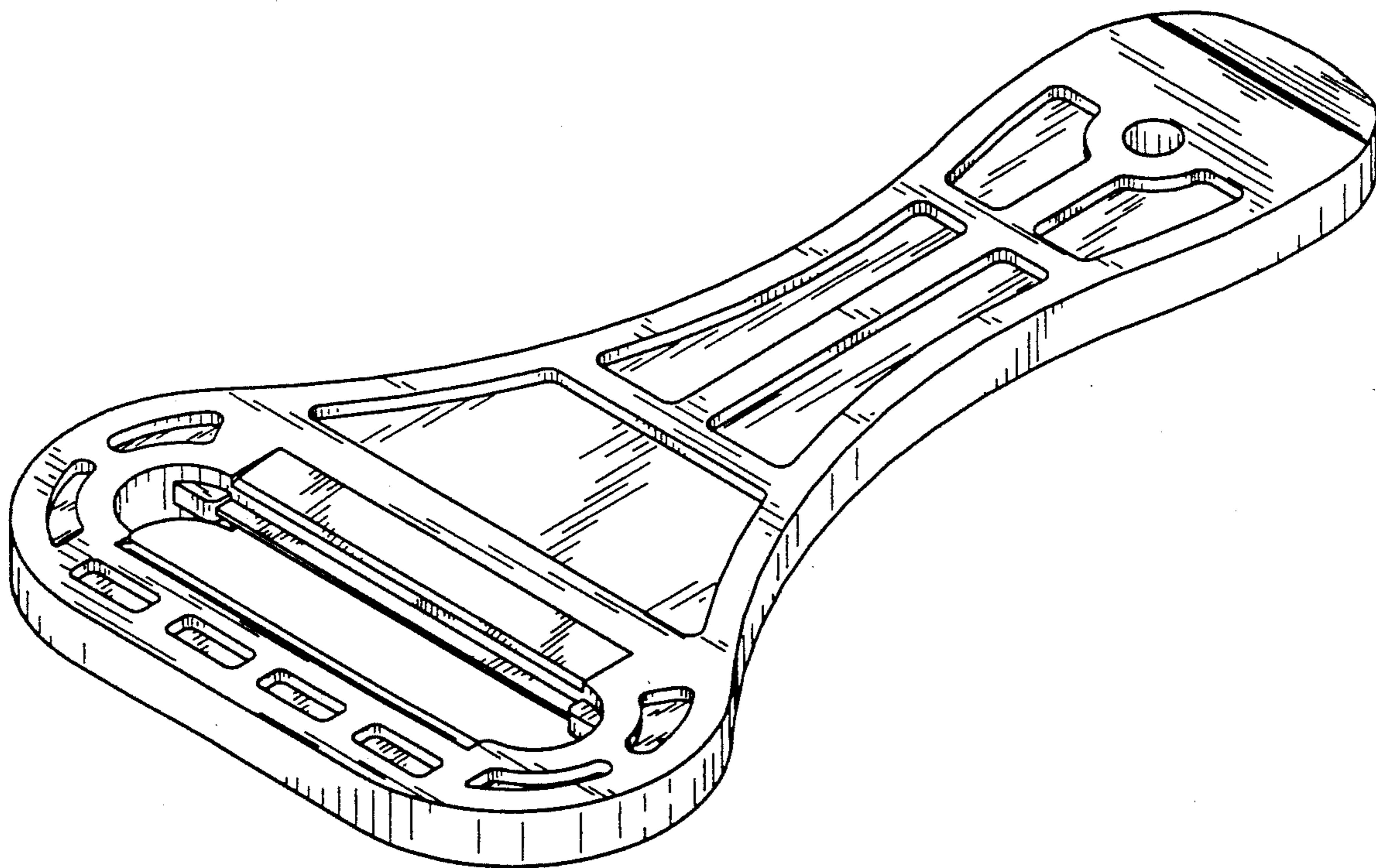
FIG. 1 is a top perspective view of a container opener
showing my new design;

FIG. 2 is a rear elevational view thereof;

FIG. 3 is a bottom plan view thereof;

FIG. 4 is a front elevational view thereof; and,

FIG. 5 is a right side elevational view thereof, the left
side elevational view being a mirror image.



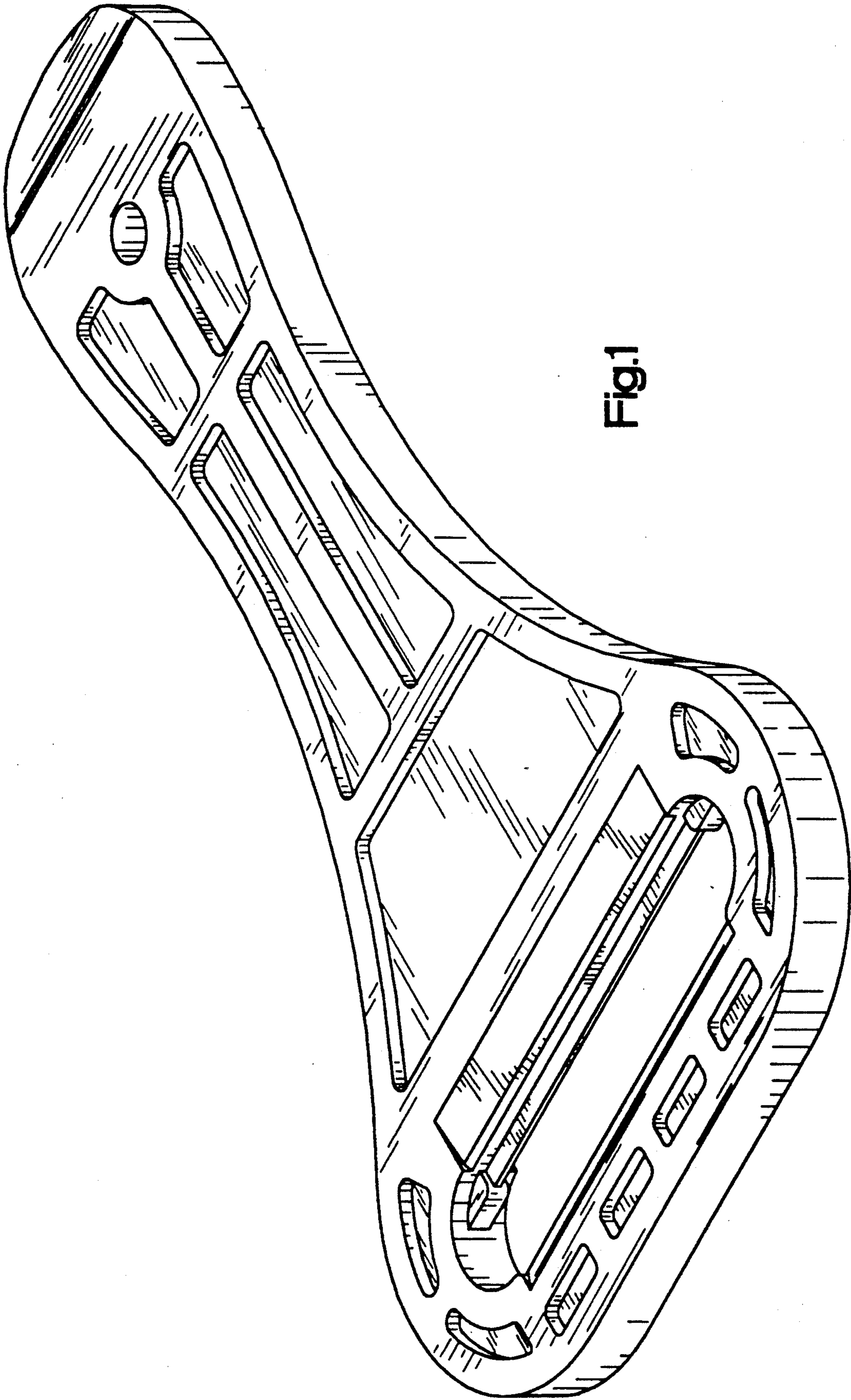


Fig. 1

Fig.2

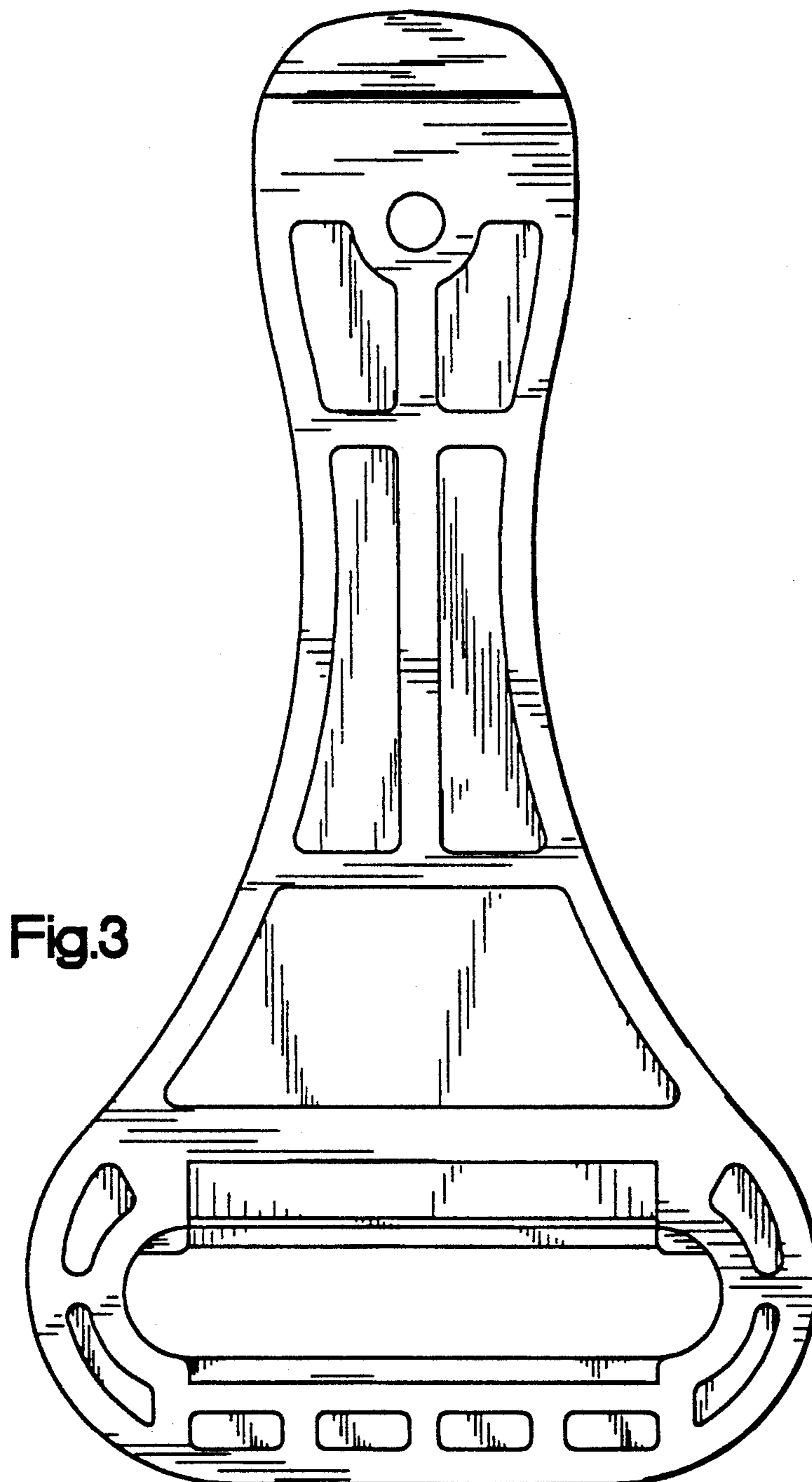
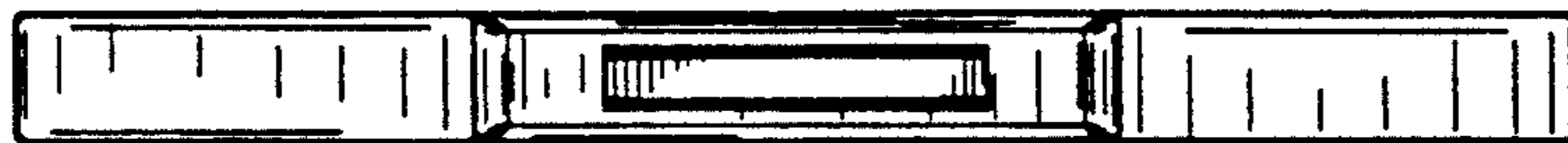


Fig.3

Fig.5



Fig.4

