



US00D336018S

United States Patent [19]

[11] Patent Number: **Des. 336,018**

Smith et al.

[45] Date of Patent: **** Jun. 1, 1993**

[54] **FOOD CONTAINER**

3,155,267	11/1964	Swett	D7/629 X
3,487,972	1/1970	Swett	220/555 X
4,667,872	5/1987	Desmond et al.	229/106
5,044,502	9/1991	Hale	206/508 X

[75] Inventors: **Ernest L. Smith, Kansas City, Mo.;**
Fred DeSieghardt, Shawnee Mission, Kans.

[73] Assignee: **Sealright Co., Inc., Kansas City, Mo.**

[**] Term: **14 Years**

[21] Appl. No.: **626,176**

[22] Filed: **Dec. 12, 1990**

[52] U.S. Cl. **D7/629; D9/425;**
D9/432

[58] Field of Search **D9/432, 431, 435, 425,**
D9/424, 414, 423, 436; D7/601, 602, 612, 629,
609; 229/125.35, 125.36, 182.1, 901, 902, 903,
106; 220/352, 353, 380; 206/508, 541

[56] **References Cited**

U.S. PATENT DOCUMENTS

D. 270,242	8/1983	Ballereaud	D9/435
D. 279,952	8/1985	Daenen et al.	D9/425 X
D. 284,253	6/1986	Carlson	D7/629
1,587,167	6/1926	Marsden	D7/629 X
2,752,970	7/1956	Tupper	D7/629 X

OTHER PUBLICATIONS

Tupperware, 1985, p. 34, item #452.

Tupperware, 1987, p. 13, item #458.

Primary Examiner—Bernard Ansher

Assistant Examiner—Prabhakar Deshmukh

Attorney, Agent, or Firm—Kokjer, Kircher, Bowman & Johnson

[57] CLAIM

The ornamental design for a food container, as shown and described.

DESCRIPTION

FIG. 1 is a perspective view of food container showing our new design;

FIG. 2 is a front elevational view thereof;

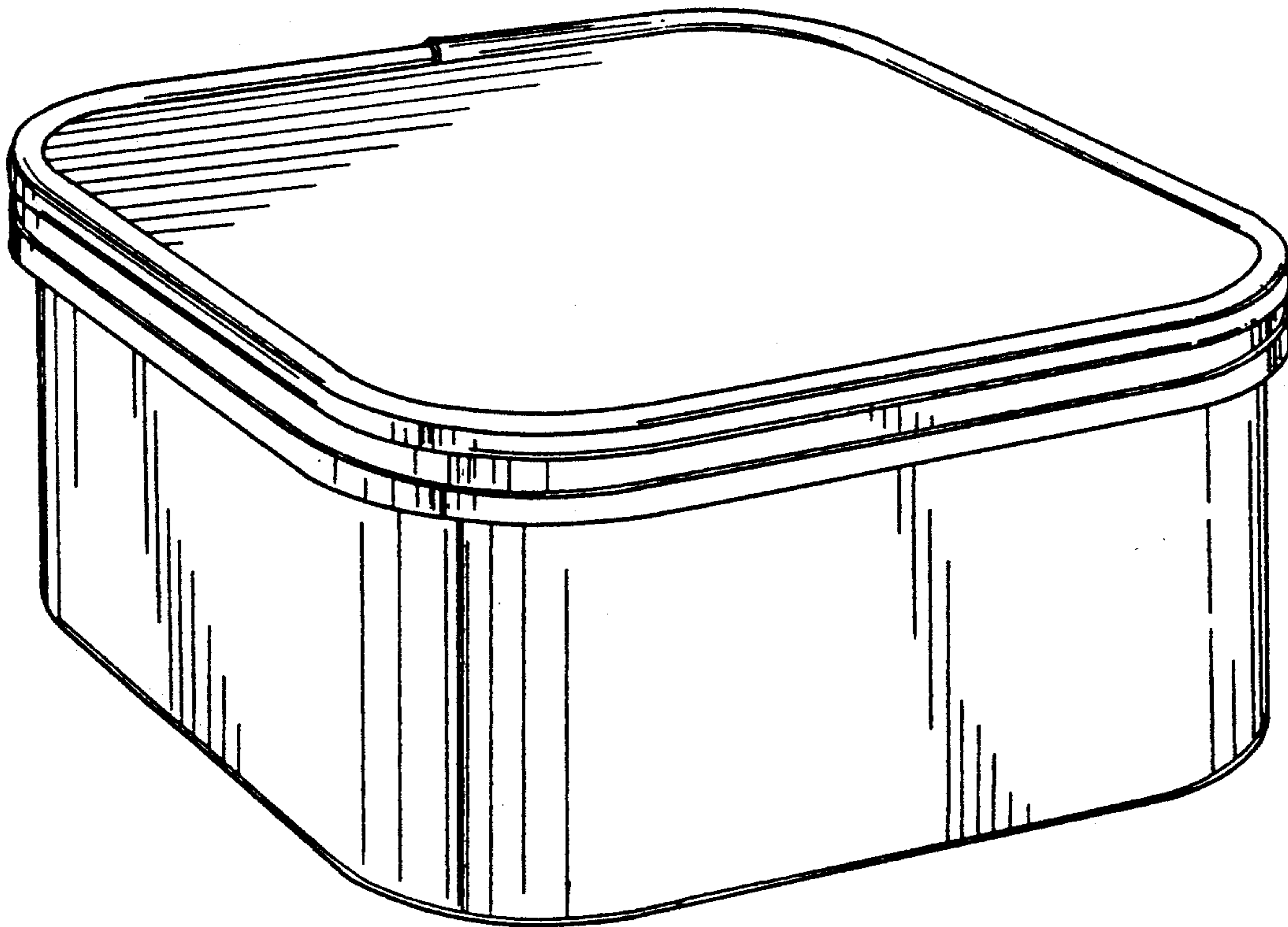
FIG. 3 is a rear elevational view thereof;

FIG. 4 is a top plan view thereof;

FIG. 5 is a bottom plan view thereof;

FIG. 6 is a left side elevational view thereof; and,

FIG. 7 is a right side elevational view thereof.



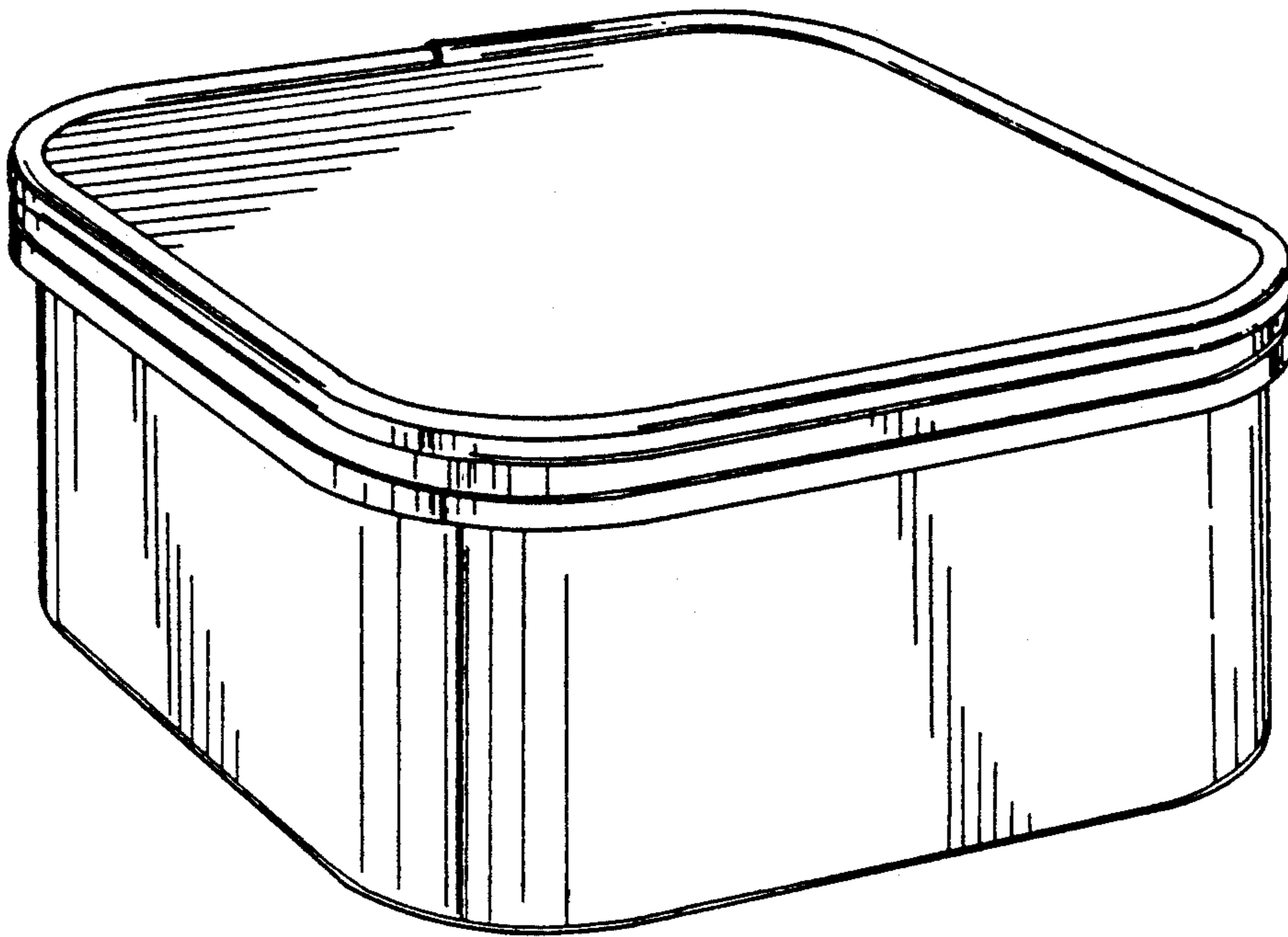


FIG. 1

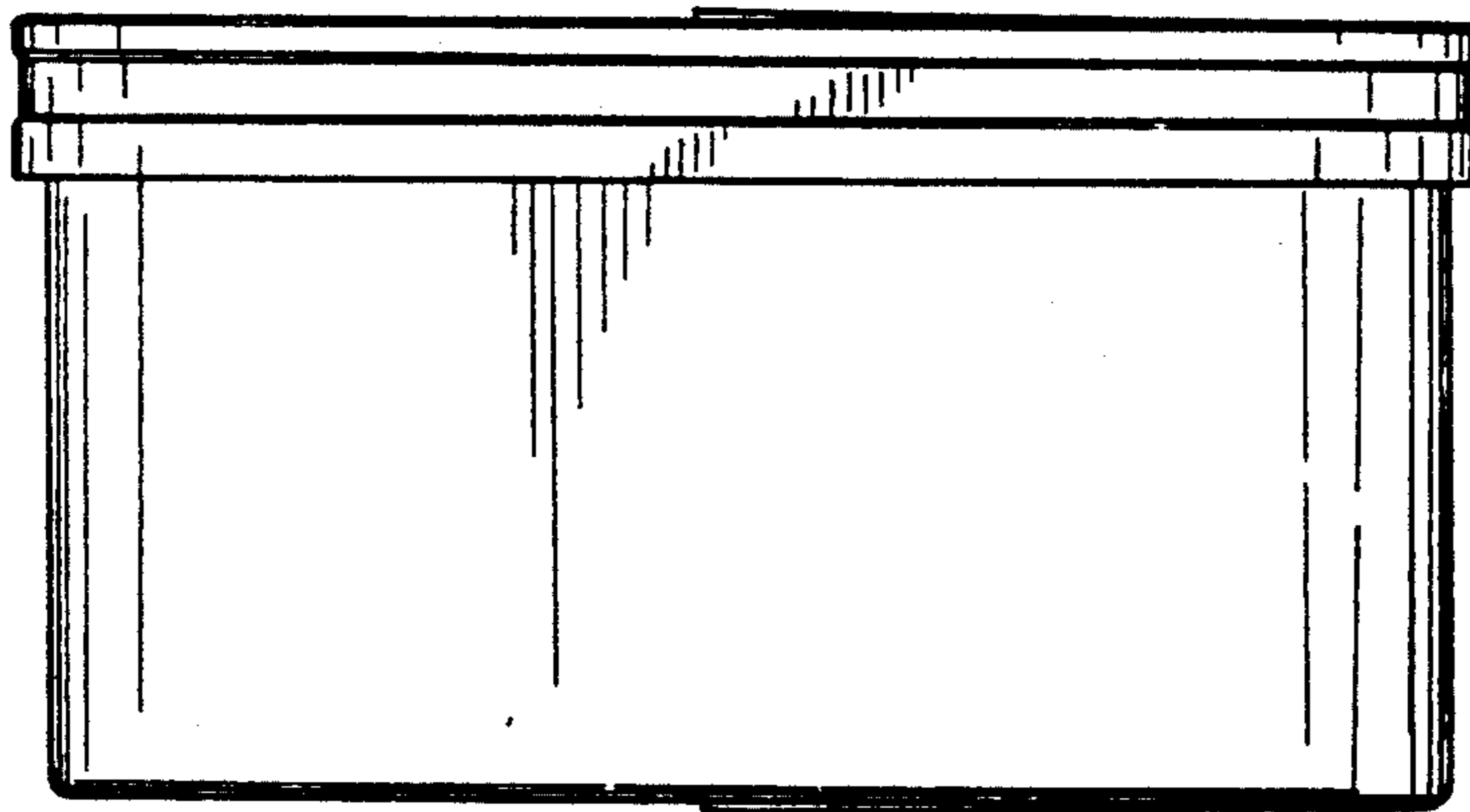


FIG. 2

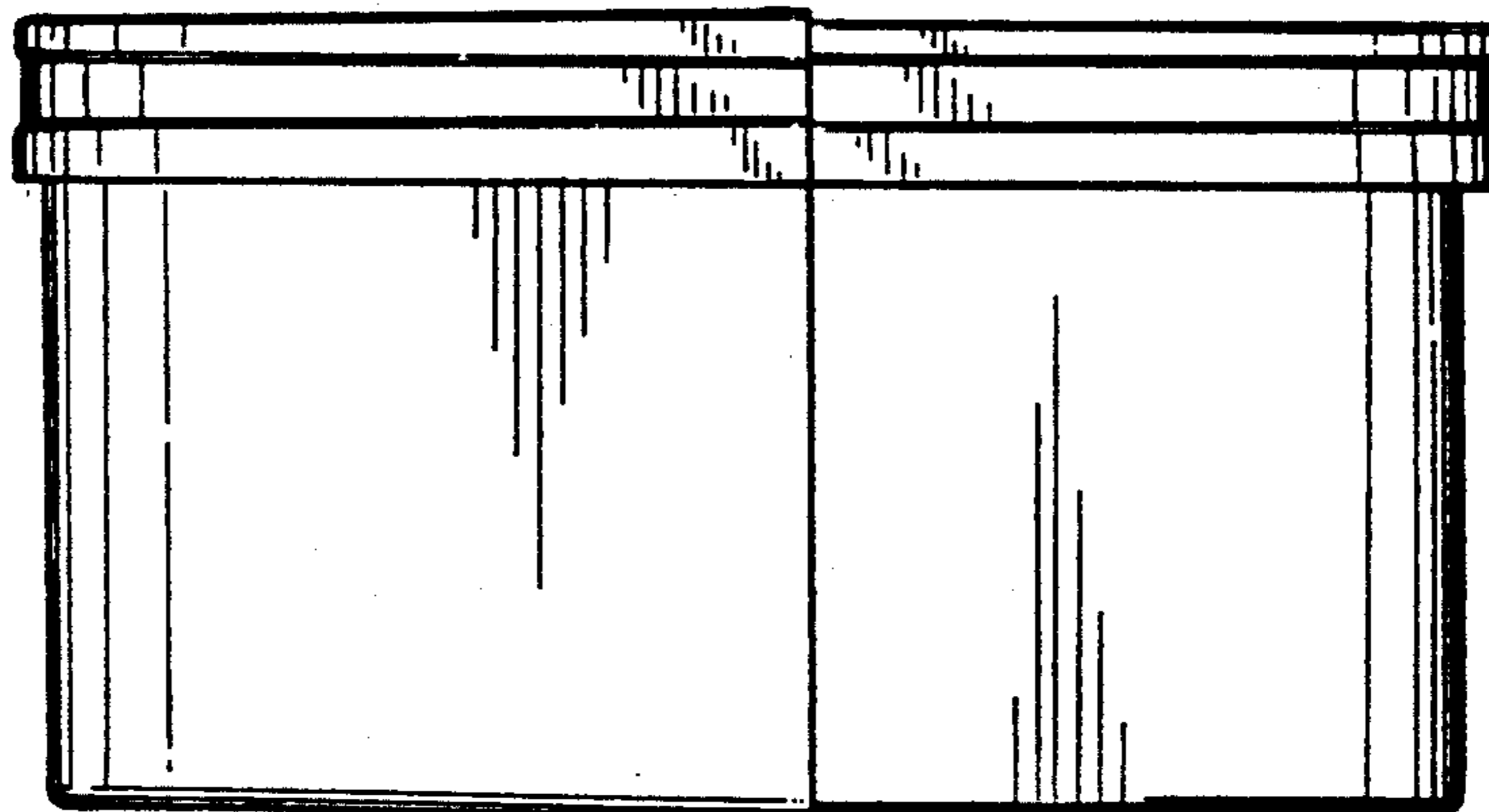


FIG. 3

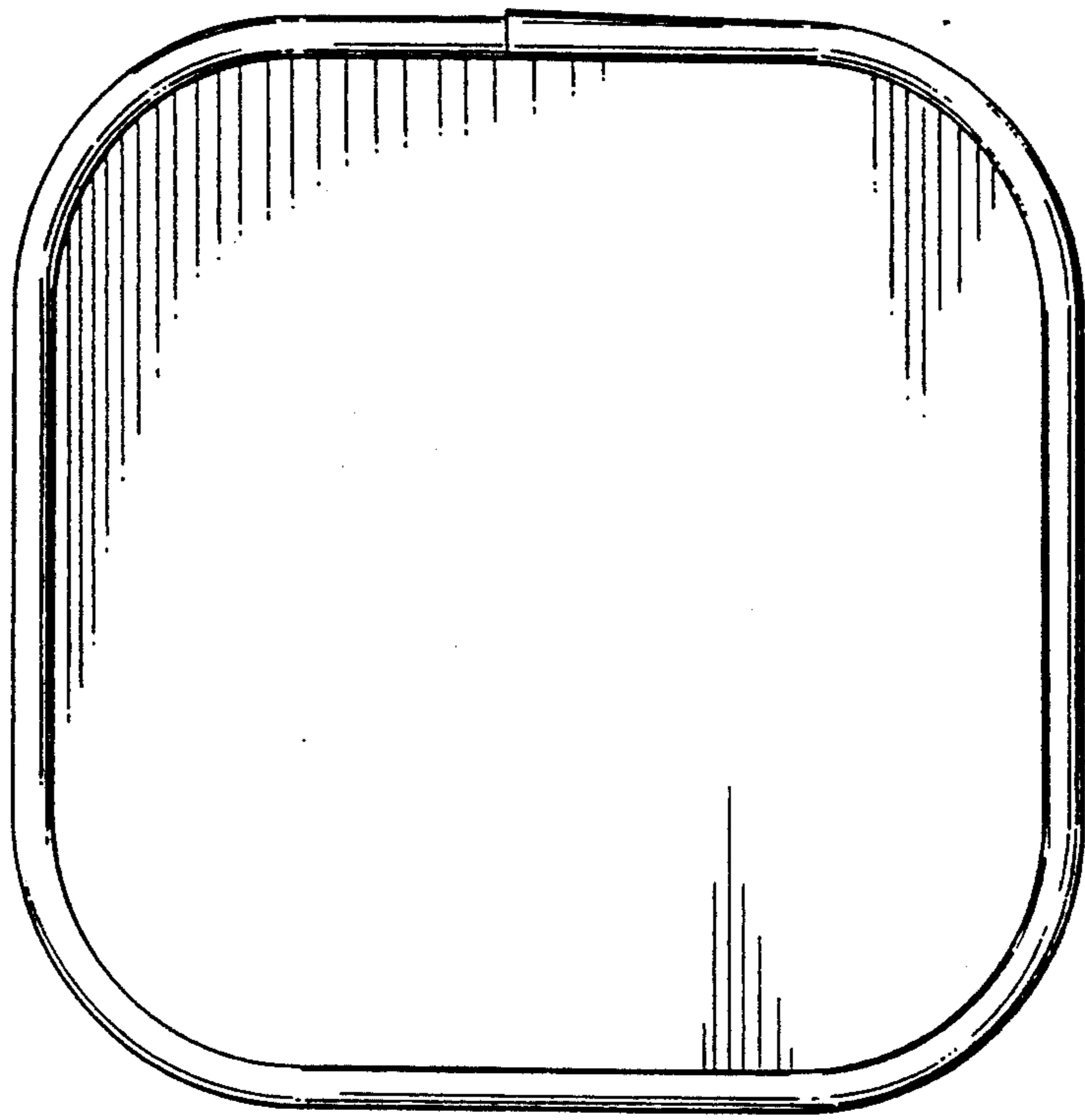


Fig. 4.

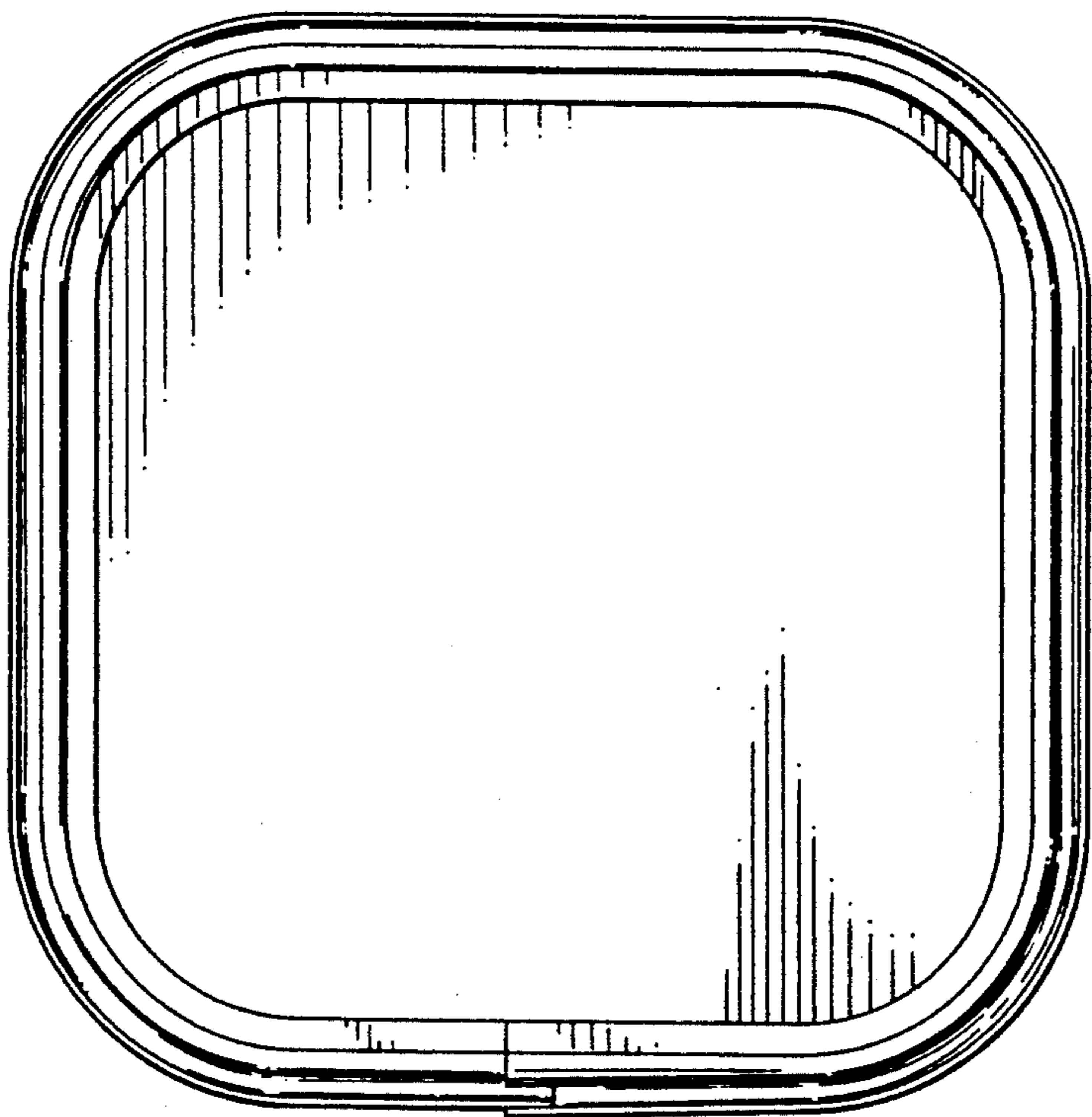


Fig. 5.

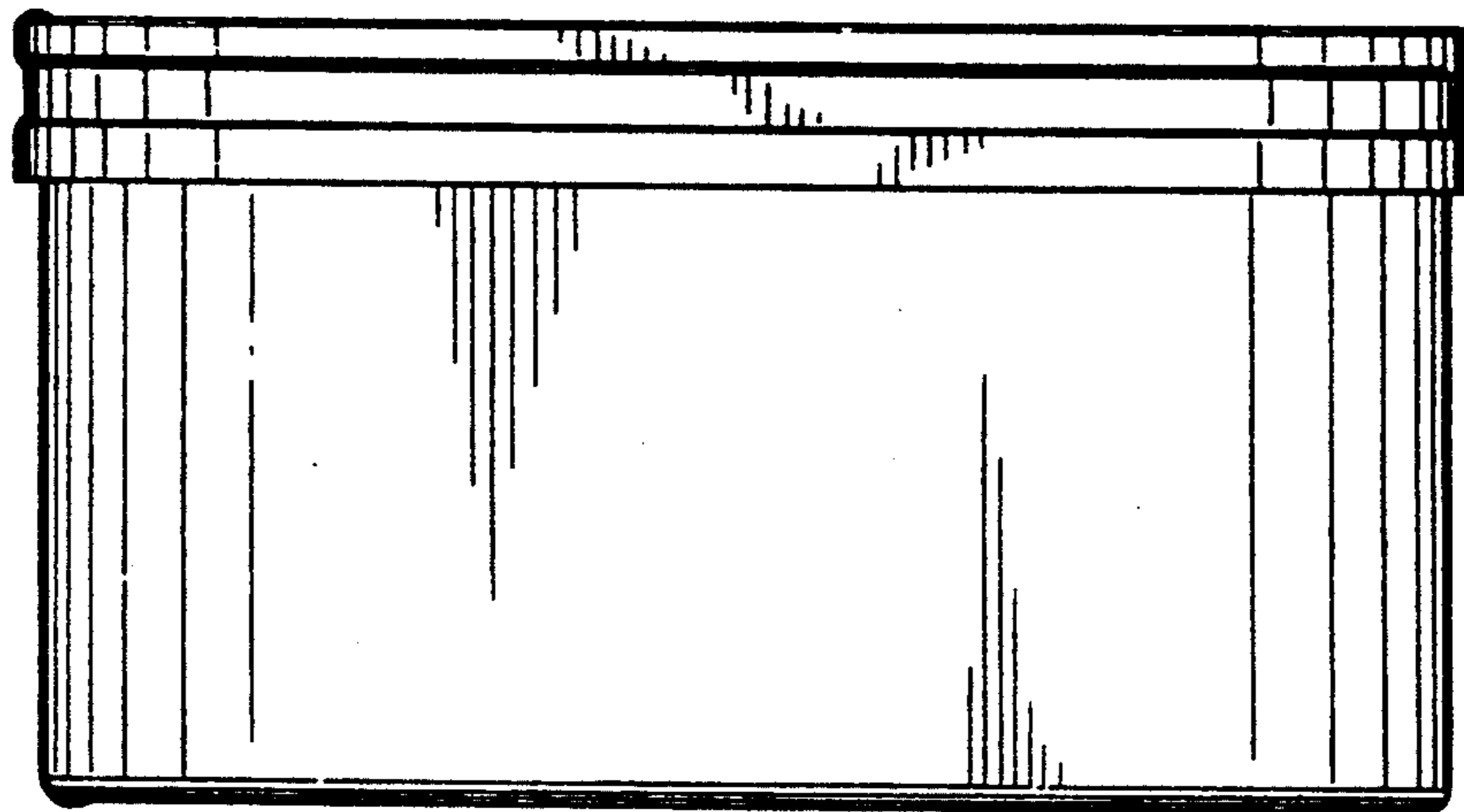


Fig. 6.

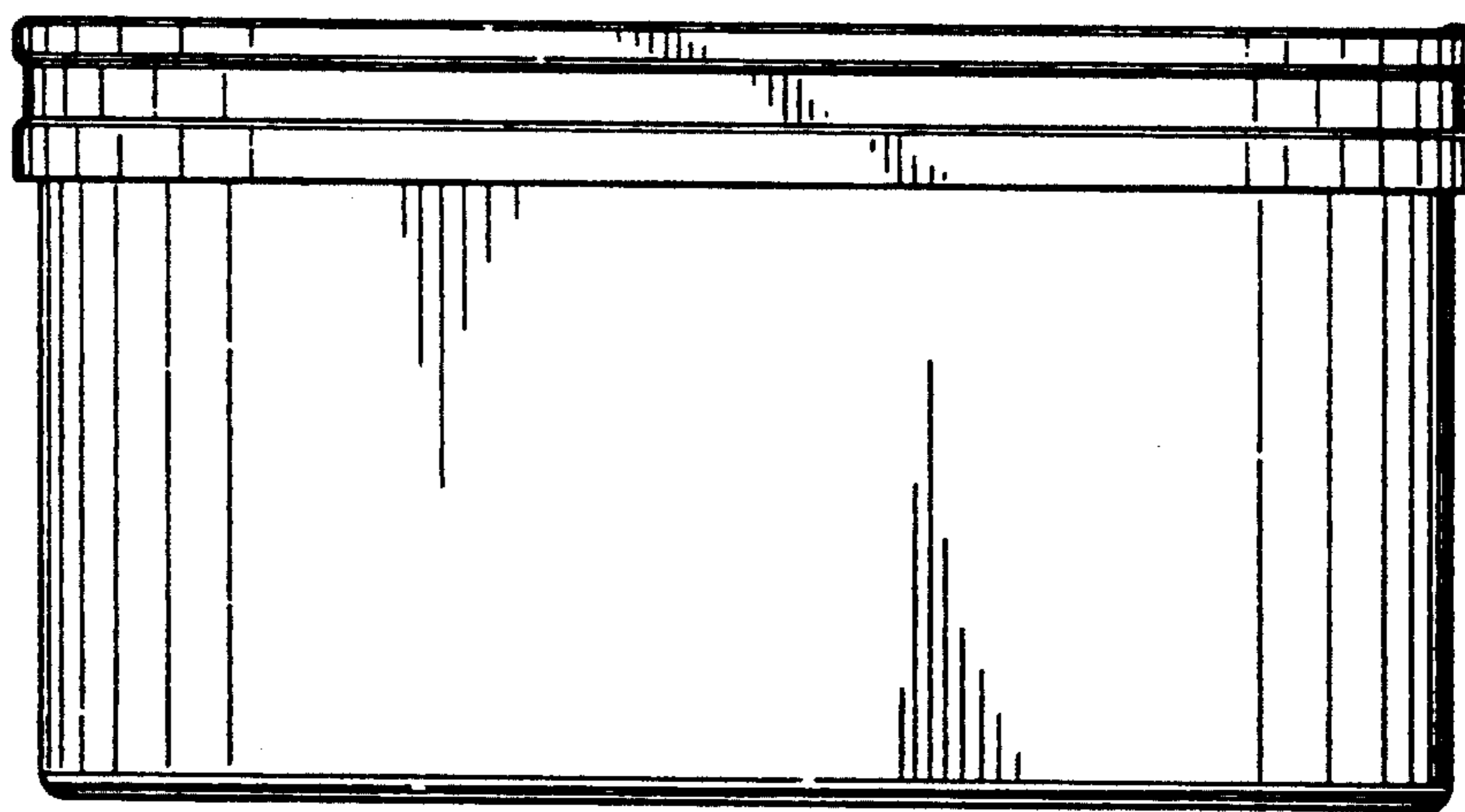


Fig. 7.