



US00D336014S

United States Patent [19]

[11] Patent Number: **Des. 336,014**

Castro

[45] Date of Patent: **** Jun. 1, 1993**

[54] TACO HOLDER

[76] Inventor: **David L. Castro**, 1425 La Salina,
Oceanside, Calif. 92054

[**] Term: **14 Years**

[21] Appl. No.: **809,066**

[22] Filed: **Dec. 17, 1991**

[52] U.S. Cl. **D7/504**

[58] Field of Search **D7/504; D6/466, 467;**
211/73; 229/DIG. 13; 248/152, 174, 459

| | | | |
|-----------|---------|------------------|-------------|
| 3,210,874 | 10/1965 | Nichols | 248/459 X |
| 3,322,383 | 5/1967 | Weinberg | 248/174 |
| 4,509,674 | 4/1985 | Levick . | |
| 4,573,570 | 3/1986 | Cortopassi . | |
| 4,589,619 | 5/1986 | Forbes . | |
| 4,603,825 | 8/1986 | Kotliar . | |
| 4,653,645 | 3/1987 | Thomas . | |
| 4,834,328 | 5/1989 | Hall | 248/174 |
| 4,858,863 | 8/1989 | Lin | 248/174 |
| 4,872,566 | 10/1989 | Alsup . | |
| 4,896,820 | 1/1990 | Harrington | 229/DIG. 13 |
| 5,005,704 | 4/1991 | Martin | 248/174 |

Primary Examiner—Terry A. Pfeffer
Attorney, Agent, or Firm—Calif Tervo

[56] **References Cited**

U.S. PATENT DOCUMENTS

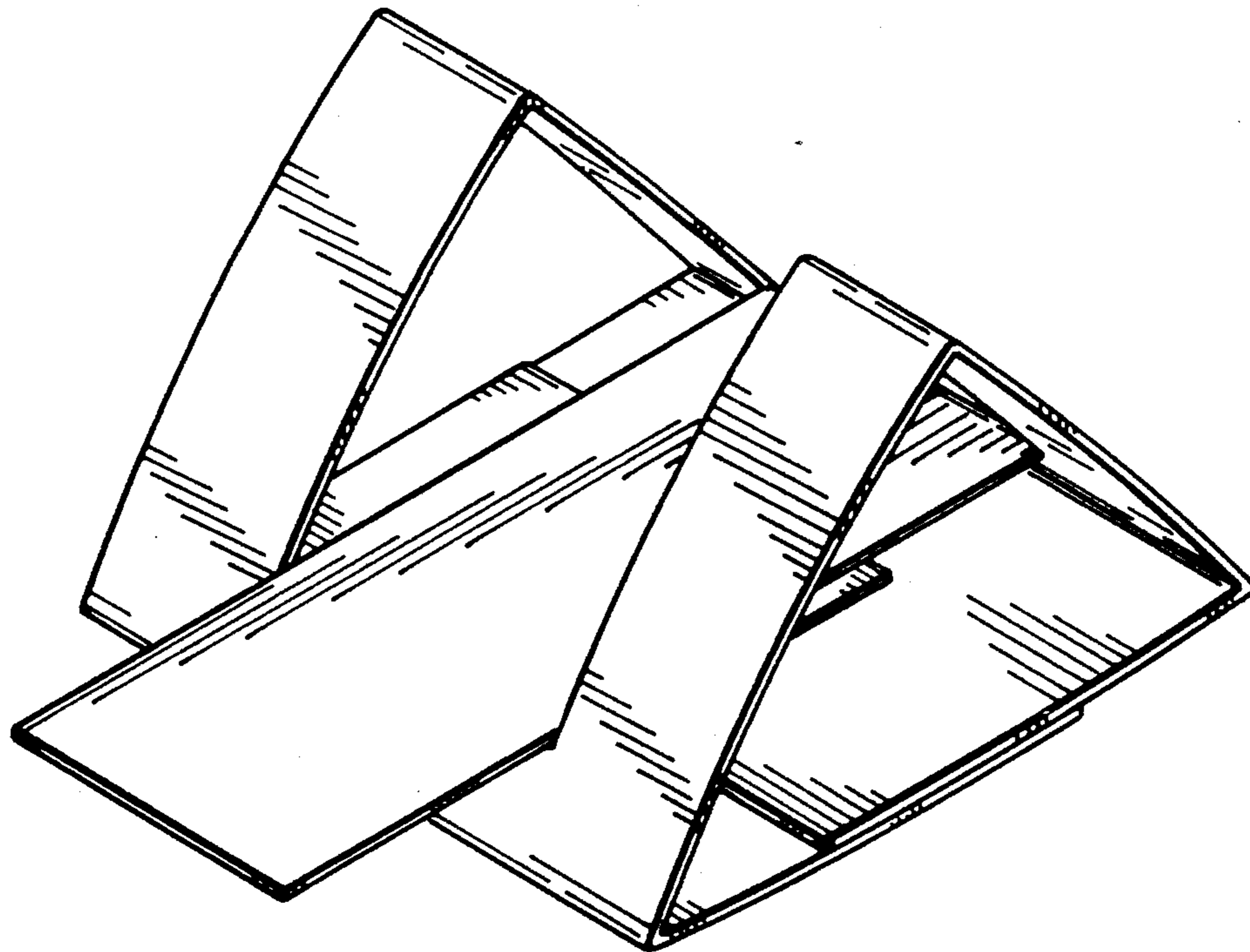
| | | | |
|------------|---------|------------------|-----------|
| D. 263,786 | 4/1982 | Kohan . | |
| D. 267,143 | 12/1982 | Gessing . | |
| D. 273,746 | 5/1984 | Hunt . | |
| D. 300,707 | 4/1989 | Walmesley . | |
| 1,692,748 | 11/1928 | Locke | 248/174 |
| 1,752,655 | 4/1930 | Scherotto | 211/73 |
| 2,125,784 | 8/1938 | Higgins | 248/174 |
| 2,266,966 | 12/1941 | Fairchild | 218/174 |
| 2,708,085 | 5/1955 | Bonaccorbi | 248/459 X |
| 3,013,668 | 12/1961 | Mennen | 248/459 |

[57] **CLAIM**

The ornamental design for taco holder, as shown and described.

DESCRIPTION

FIG. 1 is a perspective view of the taco holder showing my new design;
FIG. 2 is a left side elevational view thereof;
FIG. 3 is a bottom plan view thereof;
FIG. 4 is a rear elevational view thereof; and,
FIG. 5 is a perspective view thereof in a flat condition.



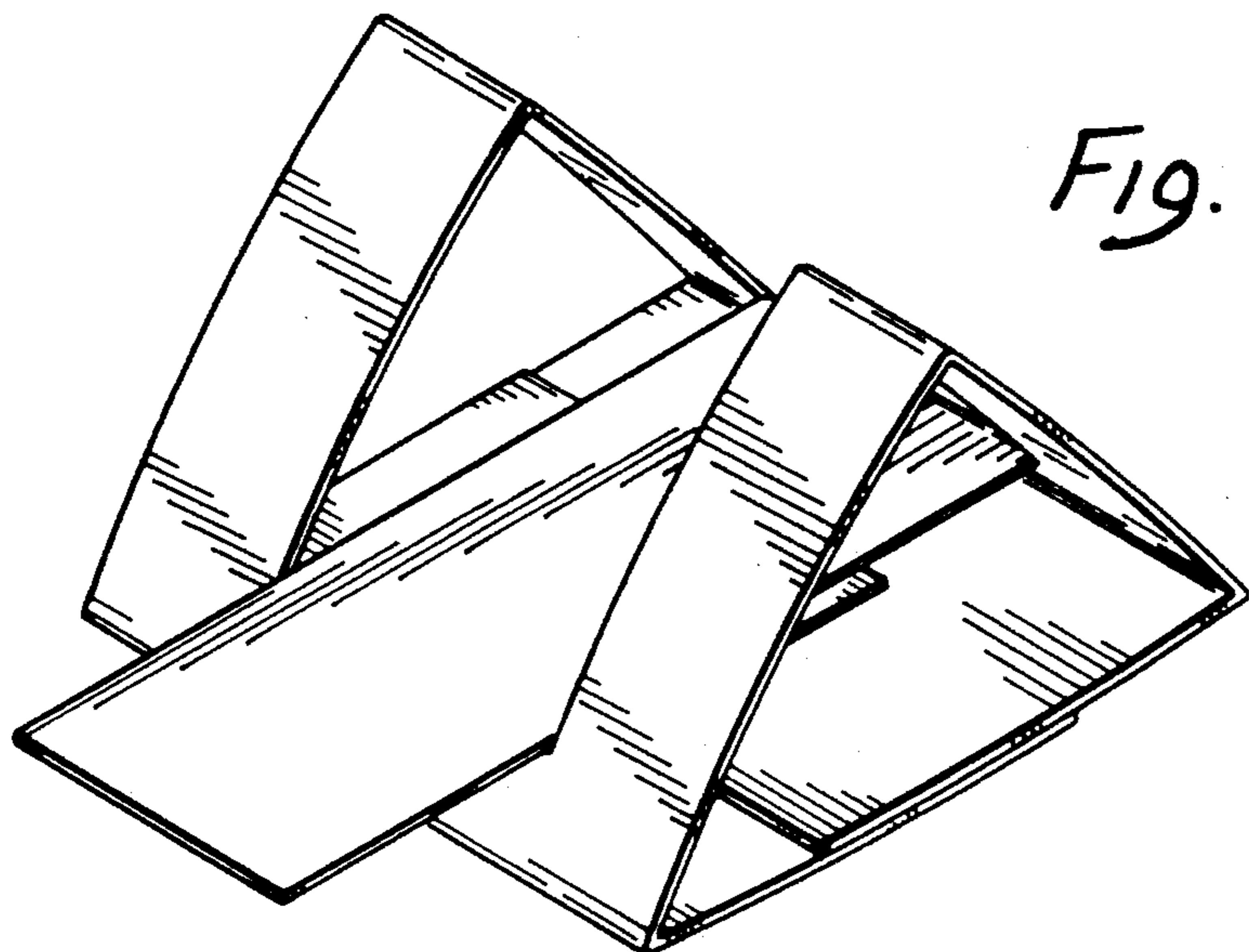


Fig. 1

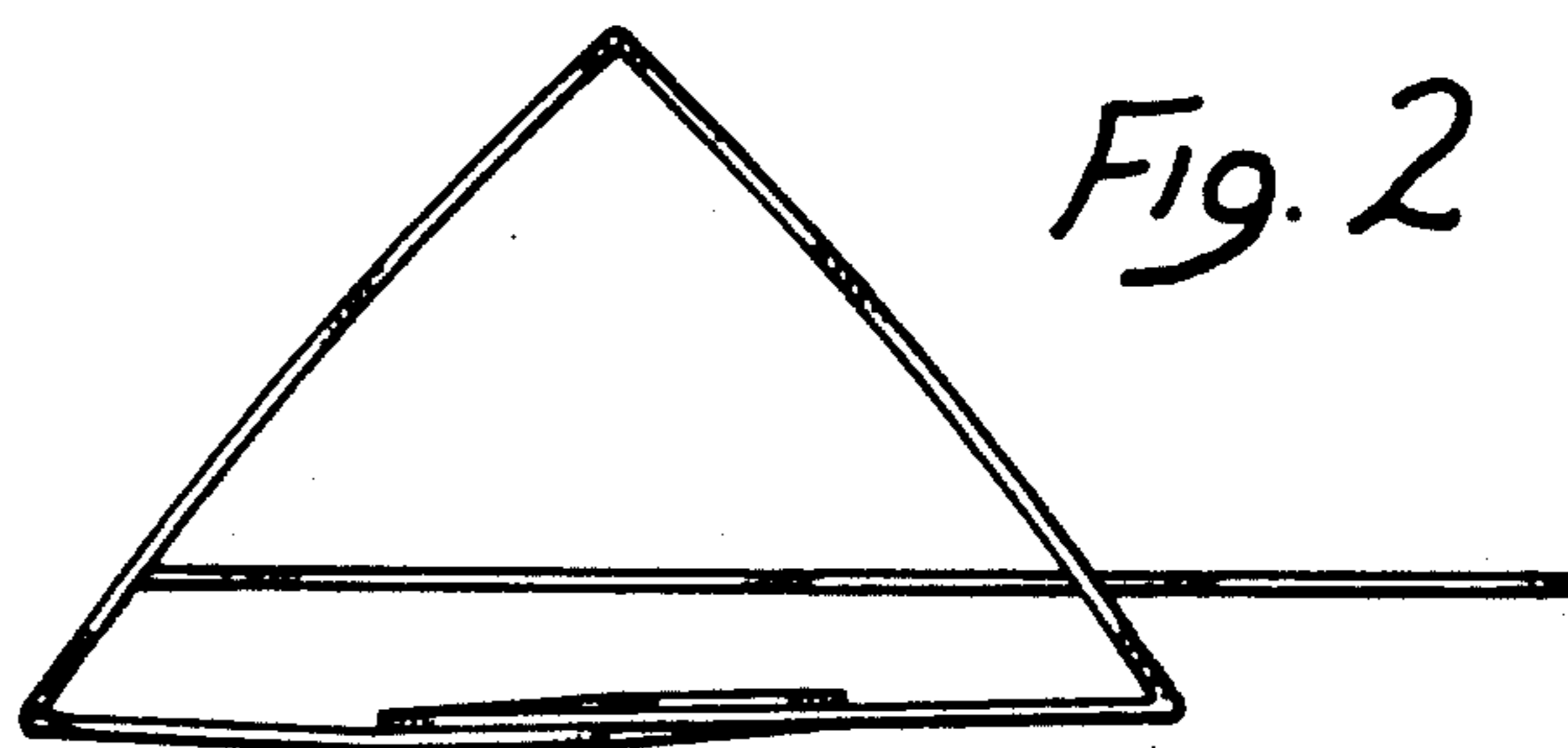


Fig. 2

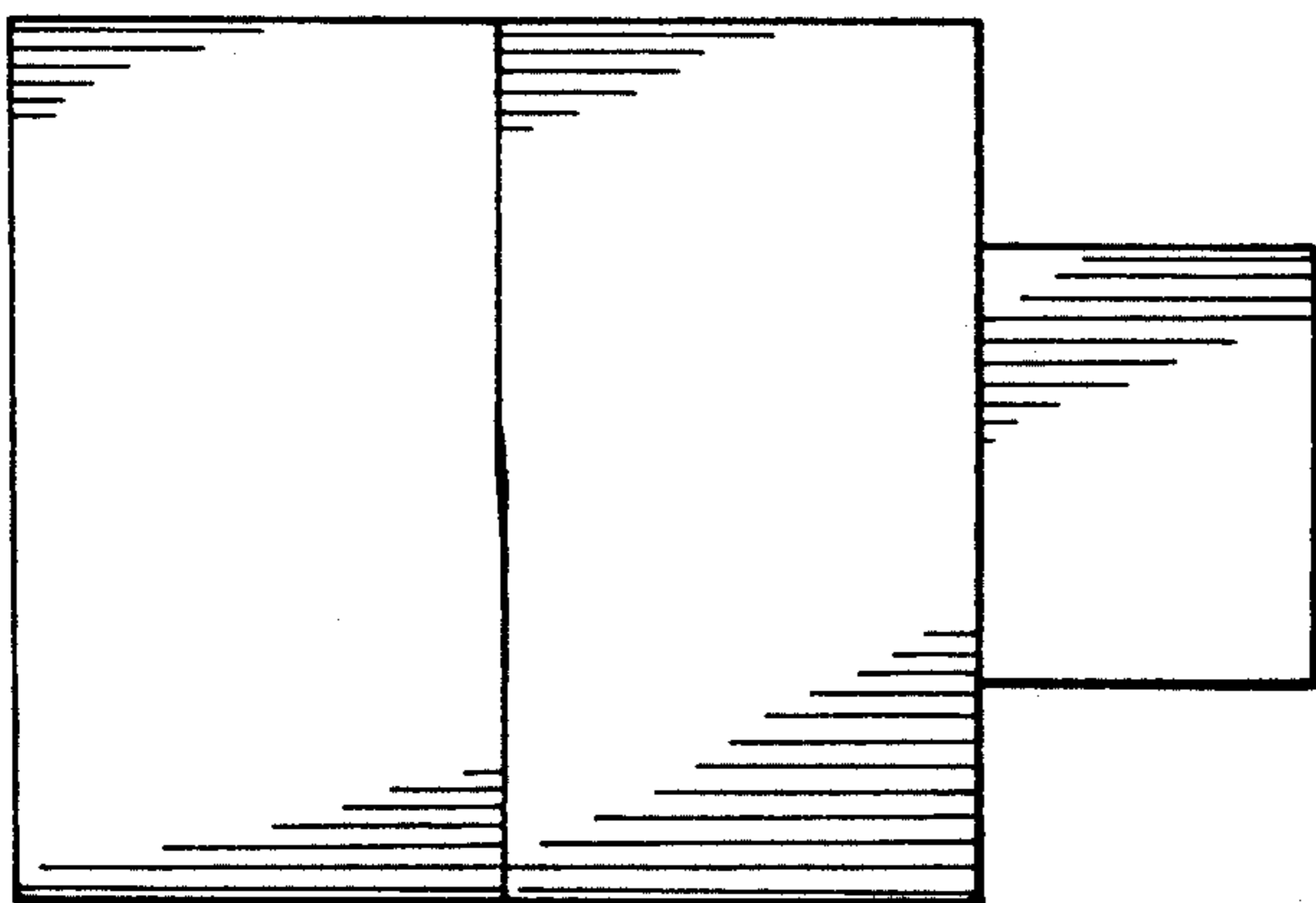


Fig. 3

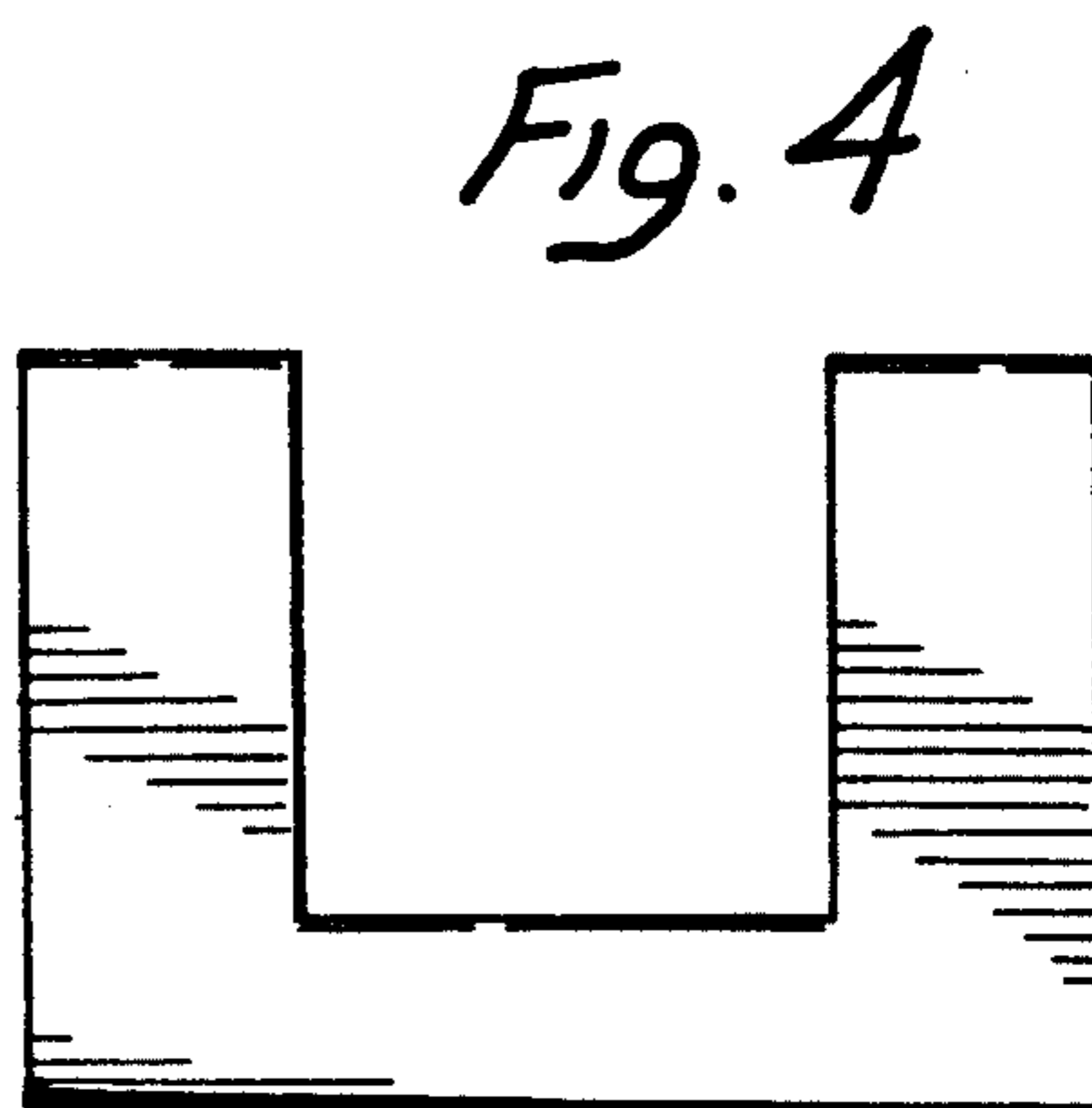


Fig. 4

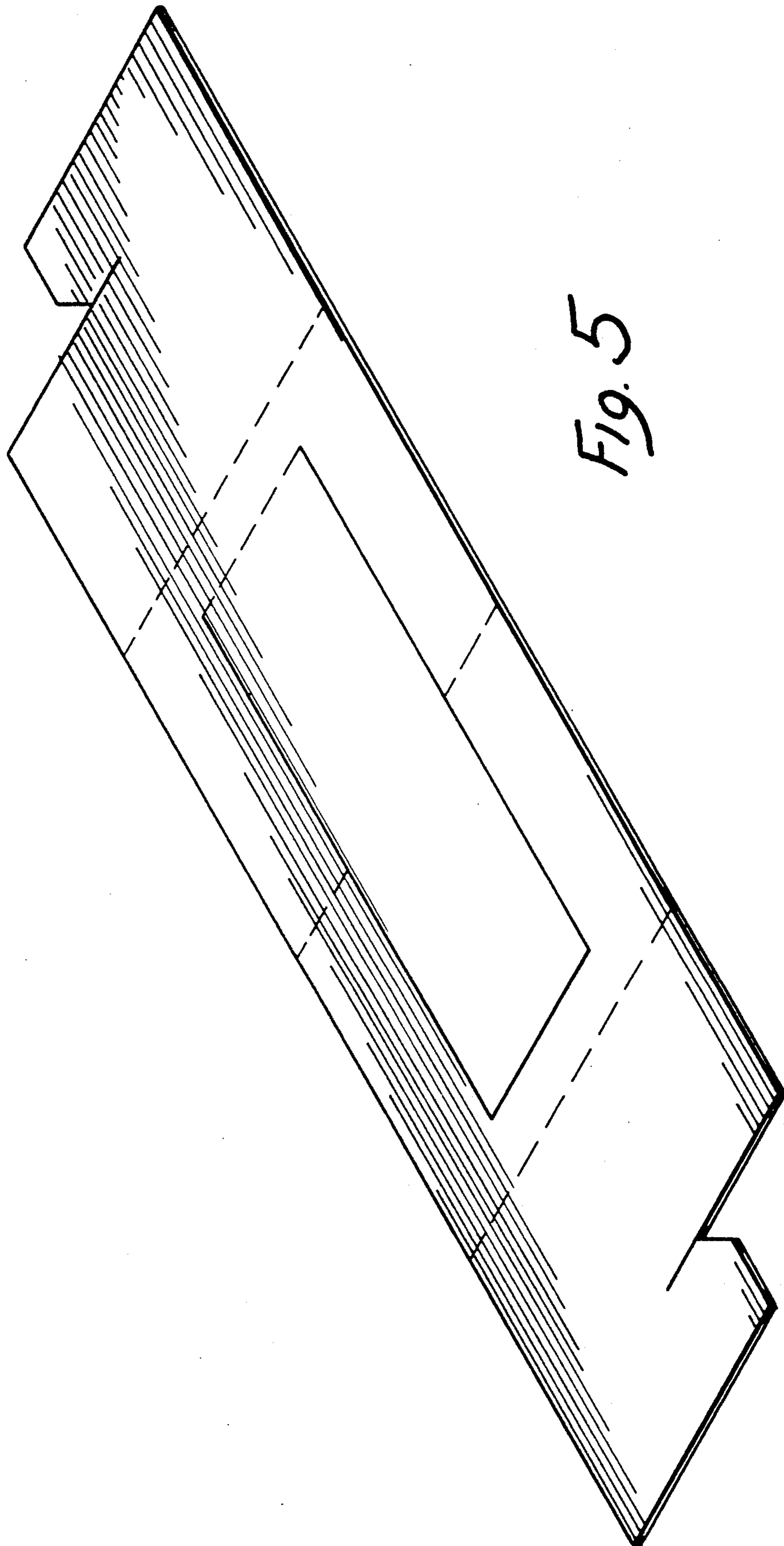


Fig. 5