



US00D336013S

United States Patent [19]
Lebowitz

[11] **Patent Number: Des. 336,013**
[45] **Date of Patent: ** Jun. 1, 1993**

[54] **TEA KETTLE**

[75] **Inventor: Sam Lebowitz, New York, N.Y.**

[73] **Assignee: Wilton Industries, Inc., Woodridge, Ill.**

[**] **Term: 14 Years**

[21] **Appl. No.: 671,308**

[22] **Filed: Mar. 18, 1991**

[52] **U.S. Cl. D7/322; D7/312; D7/321**

[58] **Field of Search D7/300, 300.1, 301, D7/312, 302, 303, 316, 317, 318, 319, 320, 321, 322, 619, 622; 222/470, 471, 475.1, 472, 473; 99/295, 306, 316, 279; 220/278, 755, 254, 758, 759, 471, 475.1**

[56] **References Cited**

U.S. PATENT DOCUMENTS

D. 308,797 6/1990 Ancona et al. D7/317
D. 320,935 10/1991 Nylander D7/317 X

OTHER PUBLICATIONS

Teapot #7 in Table Ware International Apr. 1987, p. 23.
Tea Bowl by Jorgensen for Bodum (1984) in Conran Design Guides ©1990 by Myerson and Katz.

Primary Examiner—Alan P. Douglas
Assistant Examiner—M. N. Pandozzi
Attorney, Agent, or Firm—James P. Ryther

[57] **CLAIM**

The ornamental design for tea kettle, as shown.

DESCRIPTION

FIG. 1 is a perspective view of the invention;
FIG. 2 is a side elevational view of the invention shown in FIG. 1;
FIG. 3 is a front elevational view of the invention;
FIG. 4 is a rear elevational view of the invention;
FIG. 5 is a top plan view of the invention shown in FIG. 1; and,
FIG. 6 is a bottom plan view of the invention shown in FIG. 1.

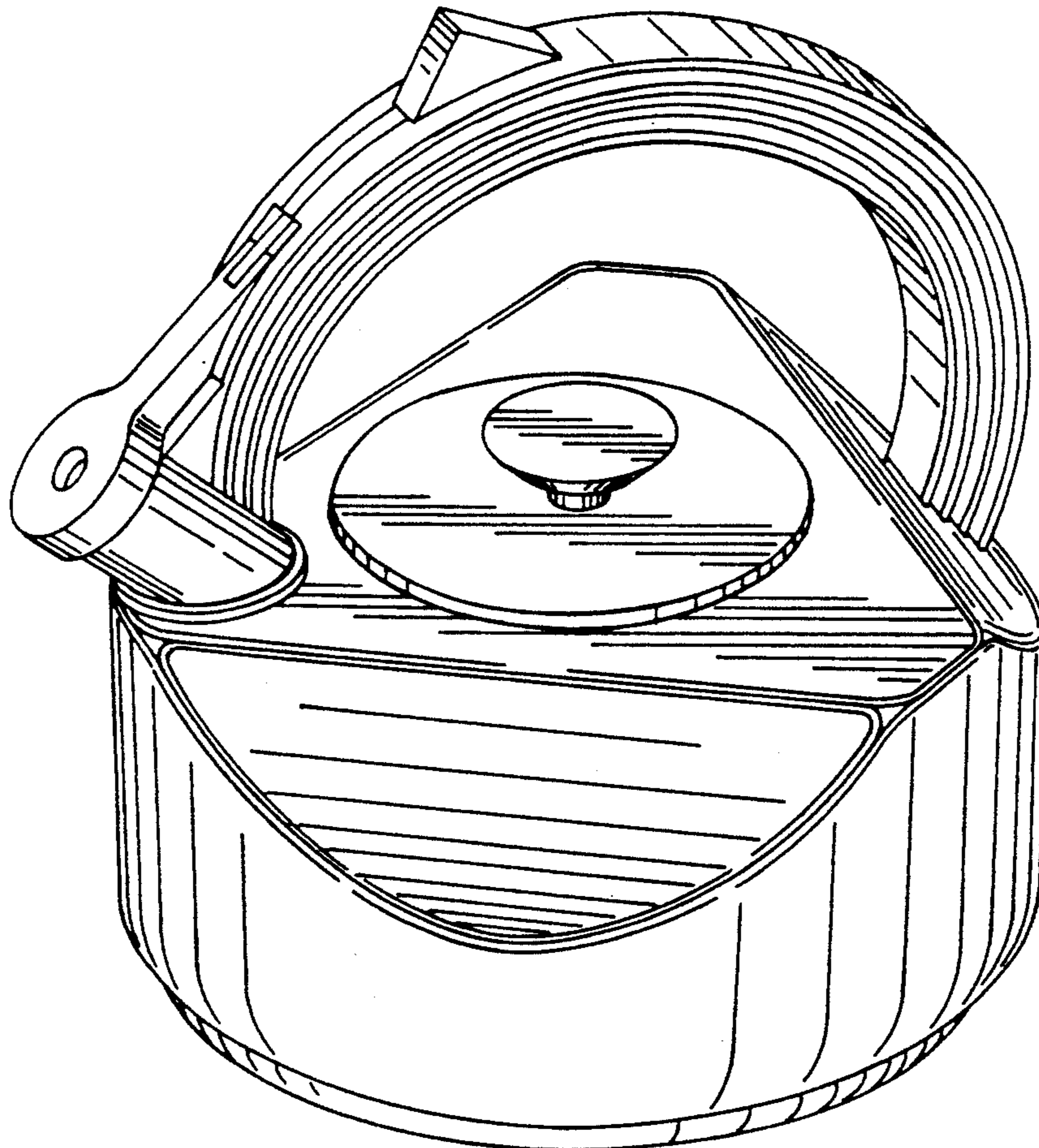


FIG. 1

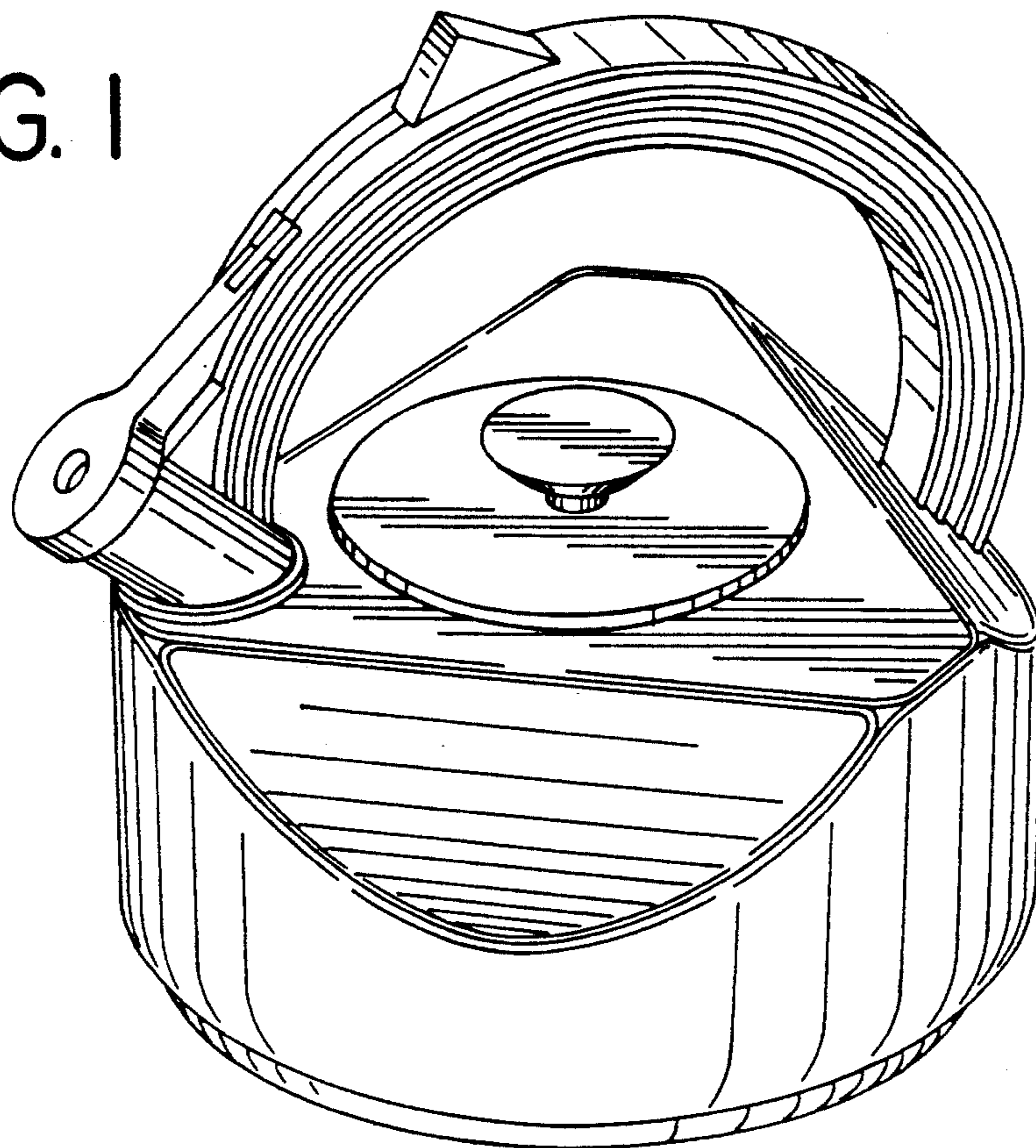


FIG. 2

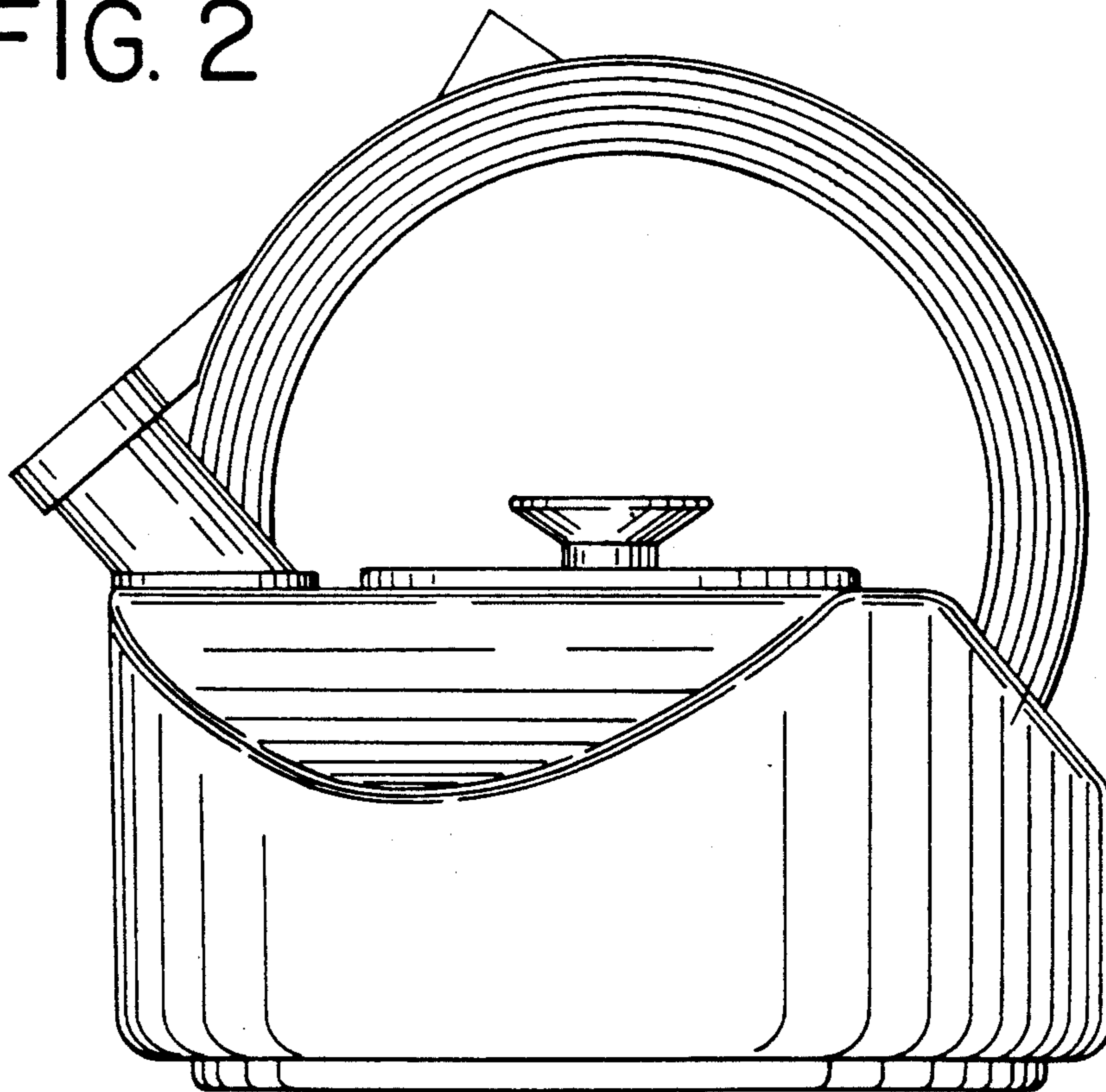


FIG. 3

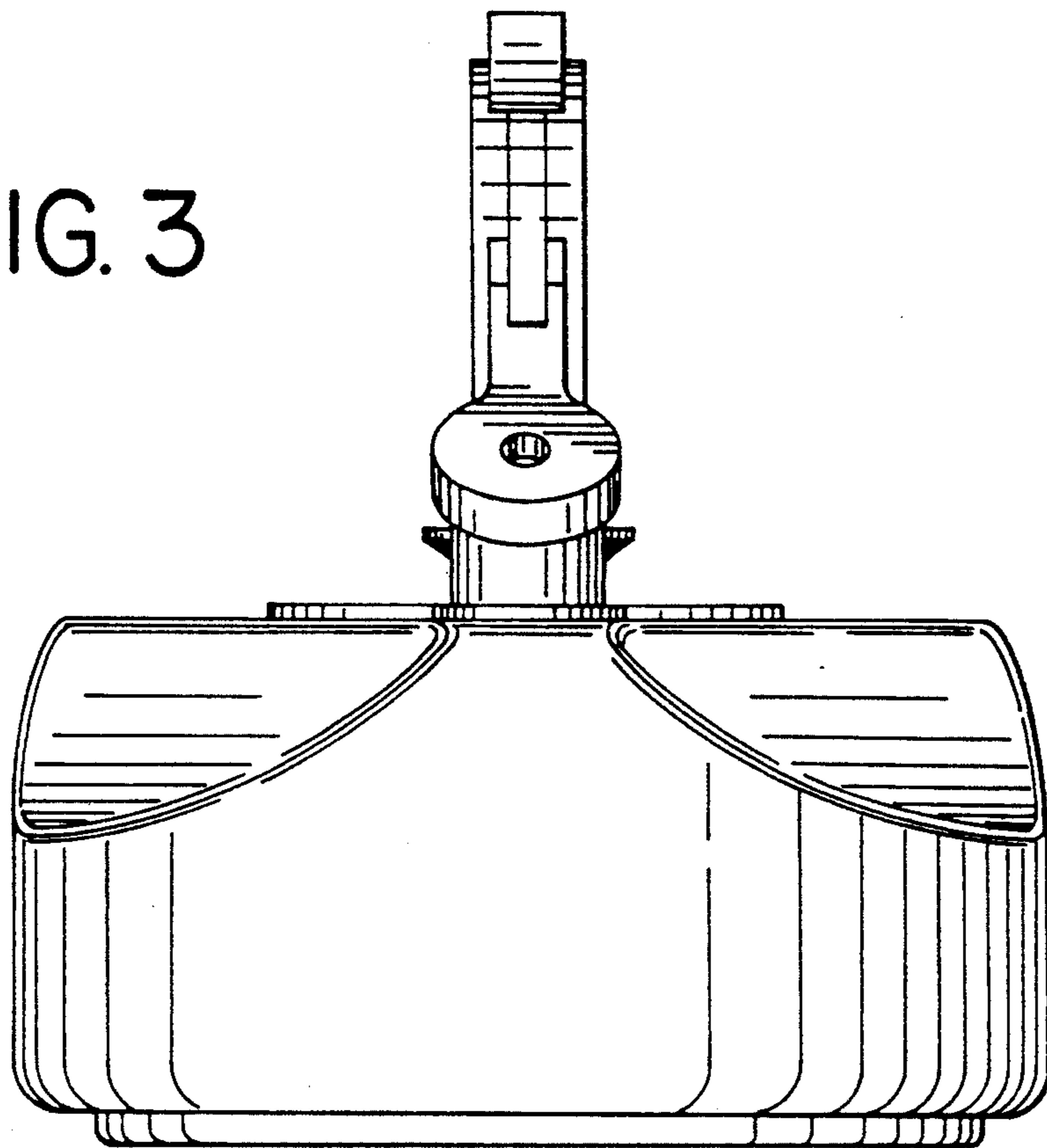


FIG. 4

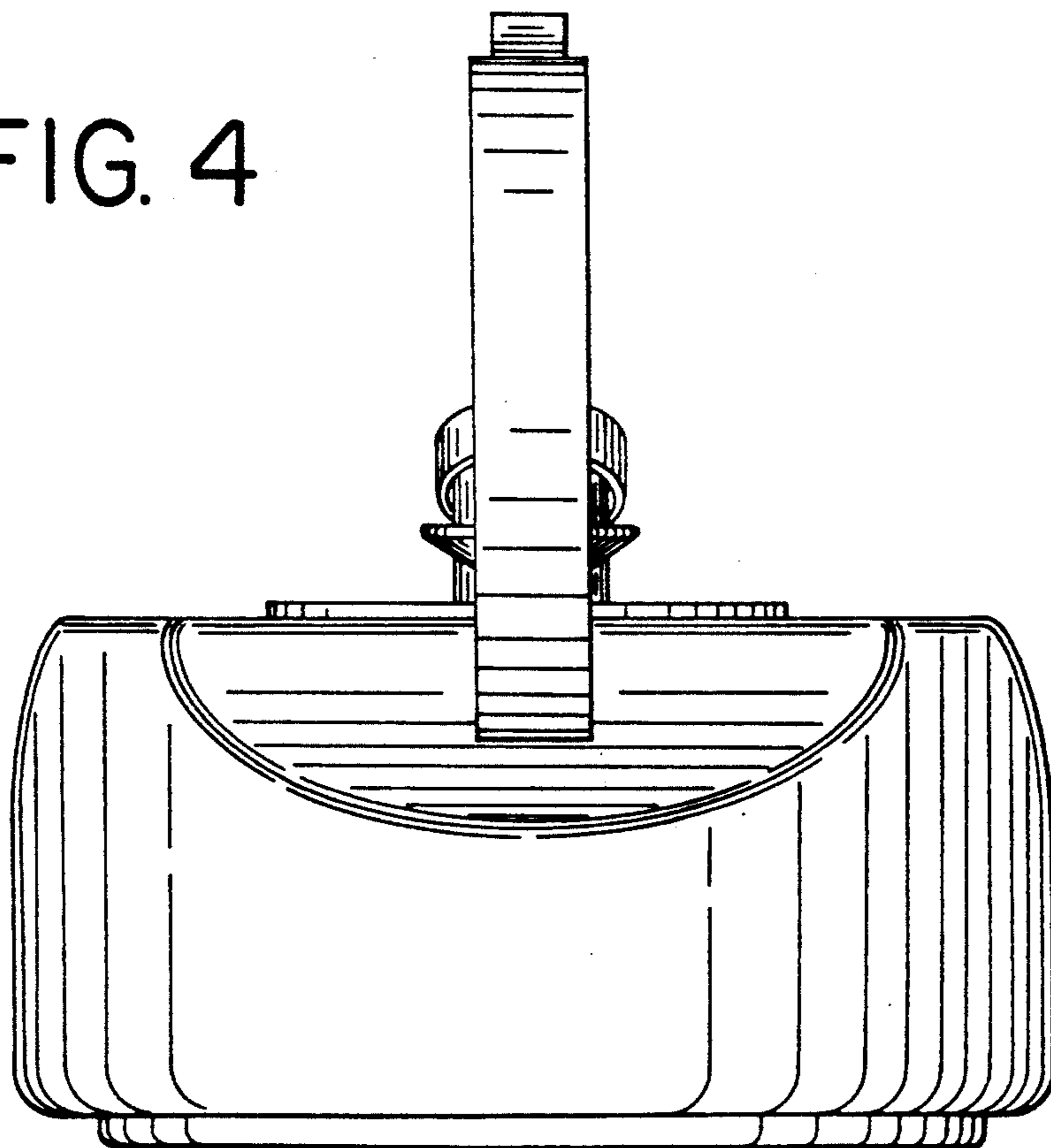


FIG. 5

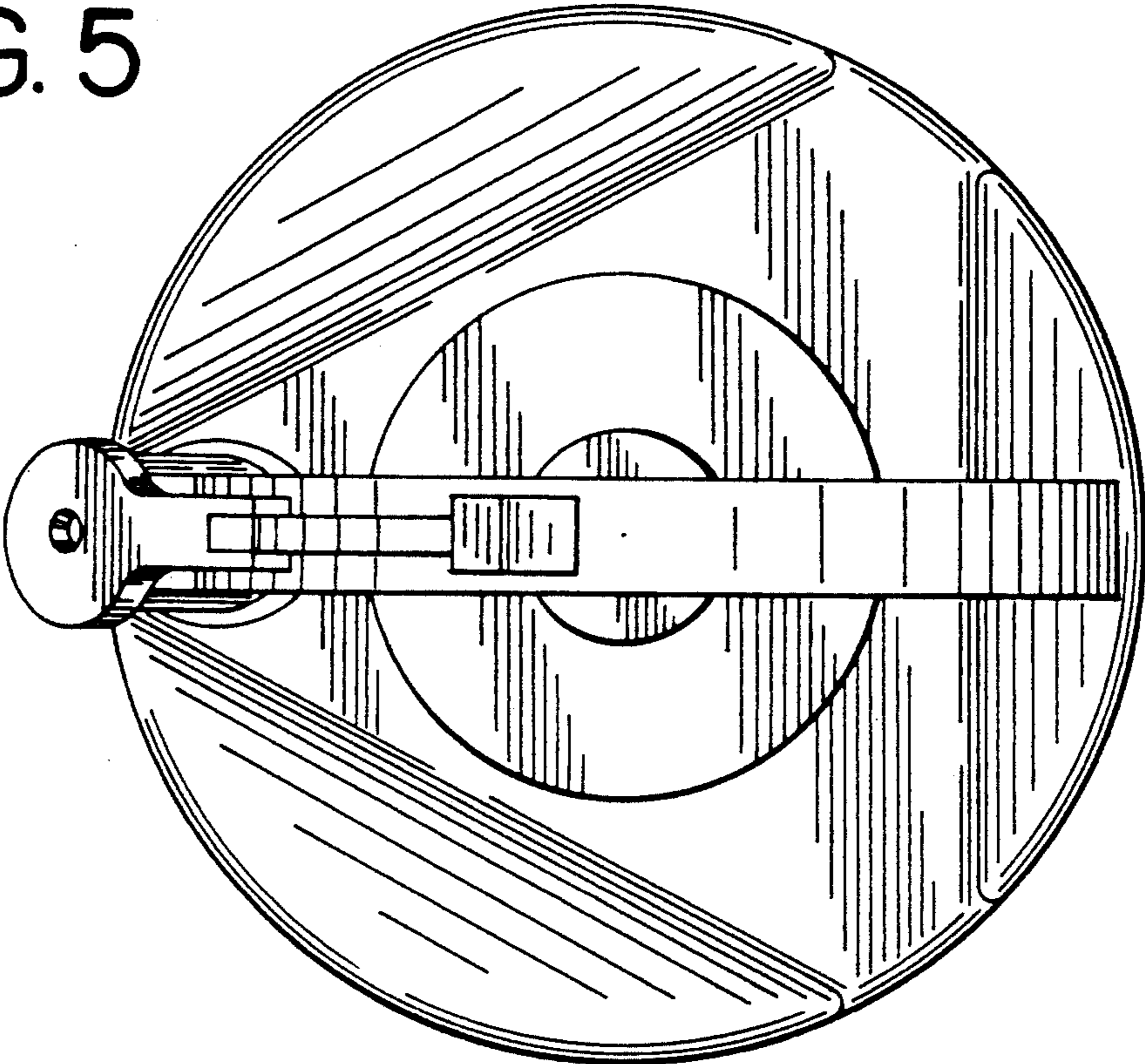


FIG. 6

