



US00D336009S

# United States Patent [19]

[11] Patent Number: **Des. 336,009**

Tringali et al.

[45] Date of Patent: **\*\* Jun. 1, 1993**

[54] **ELECTRIC COOKER BASE**

D. 256,760 9/1980 Rinaldi ..... D7/360  
D. 321,810 11/1991 Schultz ..... D7/363  
2,160,227 5/1939 Platt ..... D7/362

[75] Inventors: **Richard J. Tringali, Milwaukee, Wis.;**  
**William C. Cesaroni, Glenview, Ill.**

*Primary Examiner—A. Hugo Word*  
*Assistant Examiner—Ruth McInroy*  
*Attorney, Agent, or Firm—Russell L. McIlwain*

[73] Assignee: **The West Bend Company, West Bend, Wis.**

[\*\*] Term: **14 Years**

[57] **CLAIM**

[21] Appl. No.: **736,193**

The ornamental design for an electric cooker base, as shown.

[22] Filed: **Jul. 26, 1991**

[52] U.S. Cl. .... **D7/367**

**DESCRIPTION**

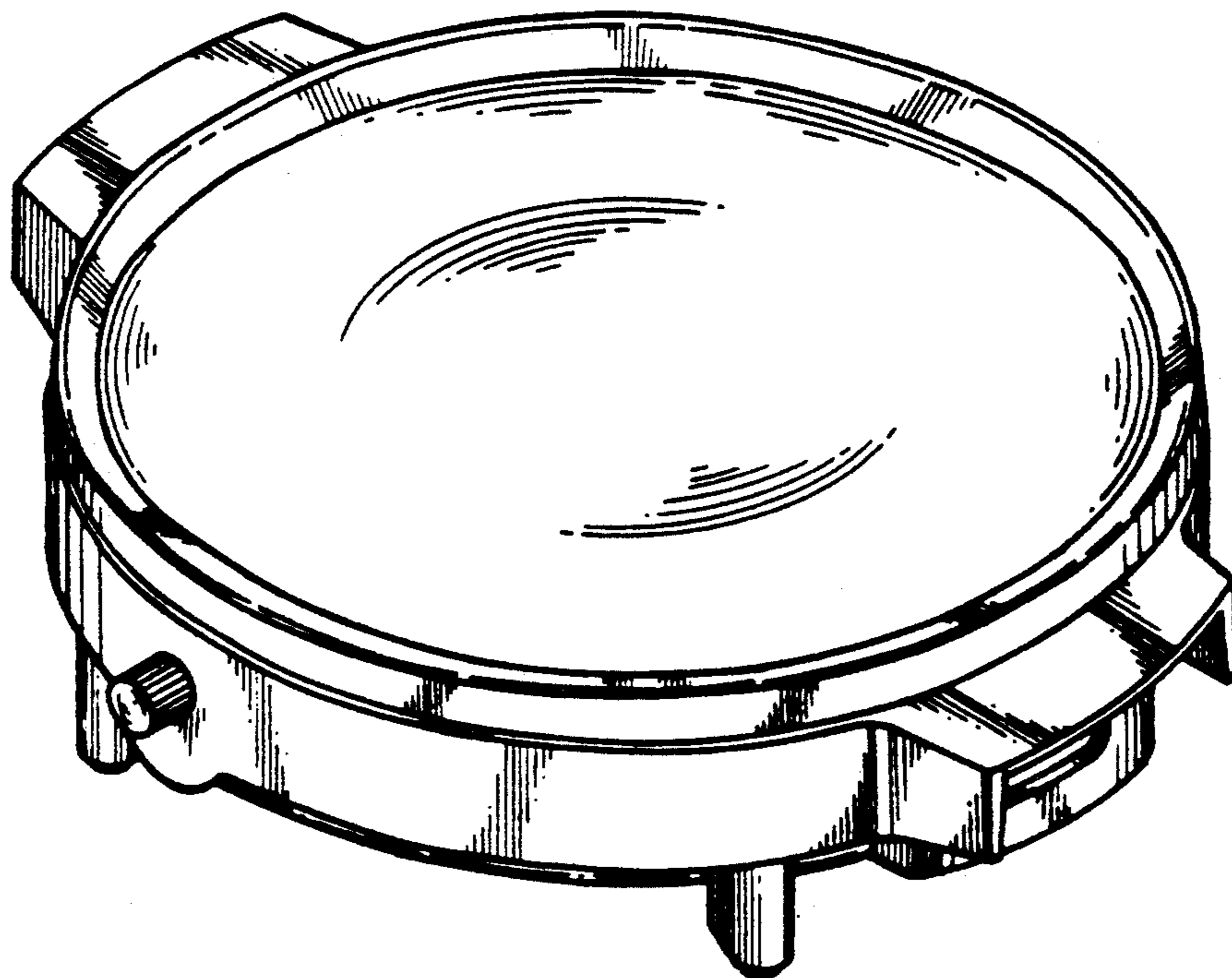
[58] Field of Search ..... **D7/360-367,**  
**D7/354-355, 357, 359, 543, 545; 99/422, 425,**  
**426, 447; 219/443, 445-448, 458**

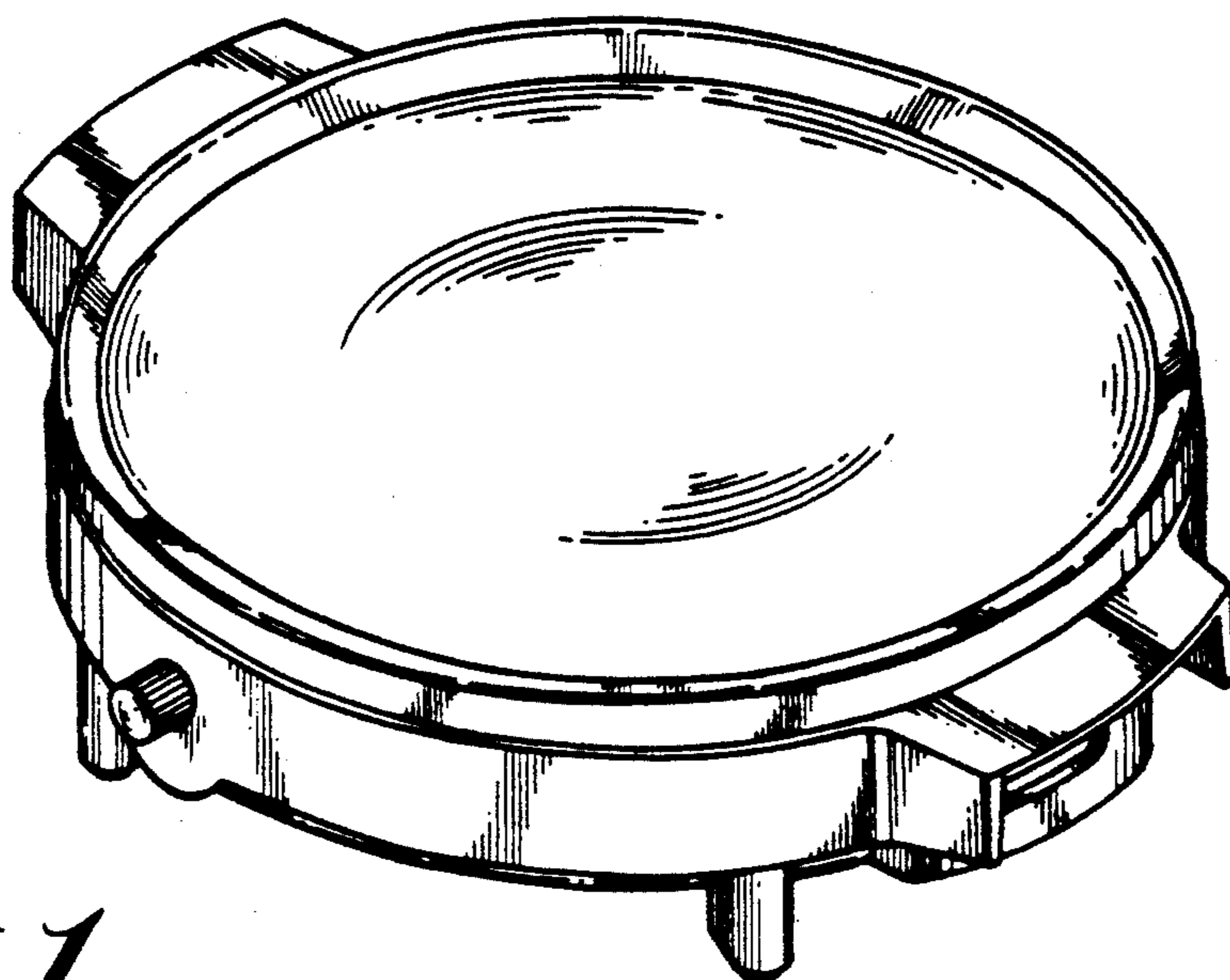
FIG. 1 is a top perspective view of an electric cooker base showing our new design;  
FIG. 2 is a front elevational view thereof;  
FIG. 3 is a right side elevational view thereof;  
FIG. 4 is a left side elevational view thereof;  
FIG. 5 is a rear elevational view thereof;  
FIG. 6 is a top plan view thereof; and,  
FIG. 7 is a bottom plan view thereof.

[56] **References Cited**

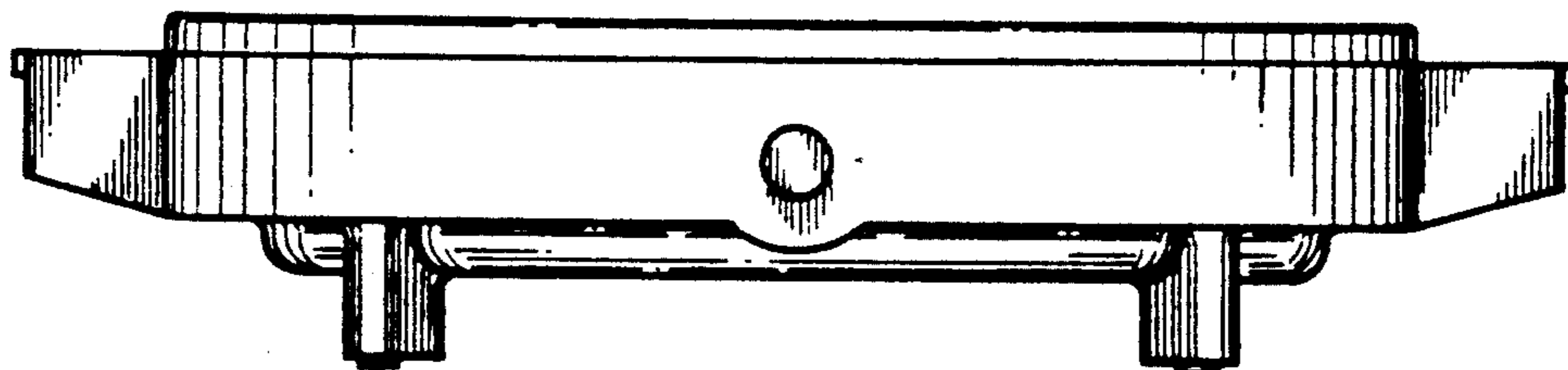
**U.S. PATENT DOCUMENTS**

D. 250,627 12/1978 McNair et al. .... D7/363  
D. 253,930 1/1980 Zinkgraf et al. .... D7/360

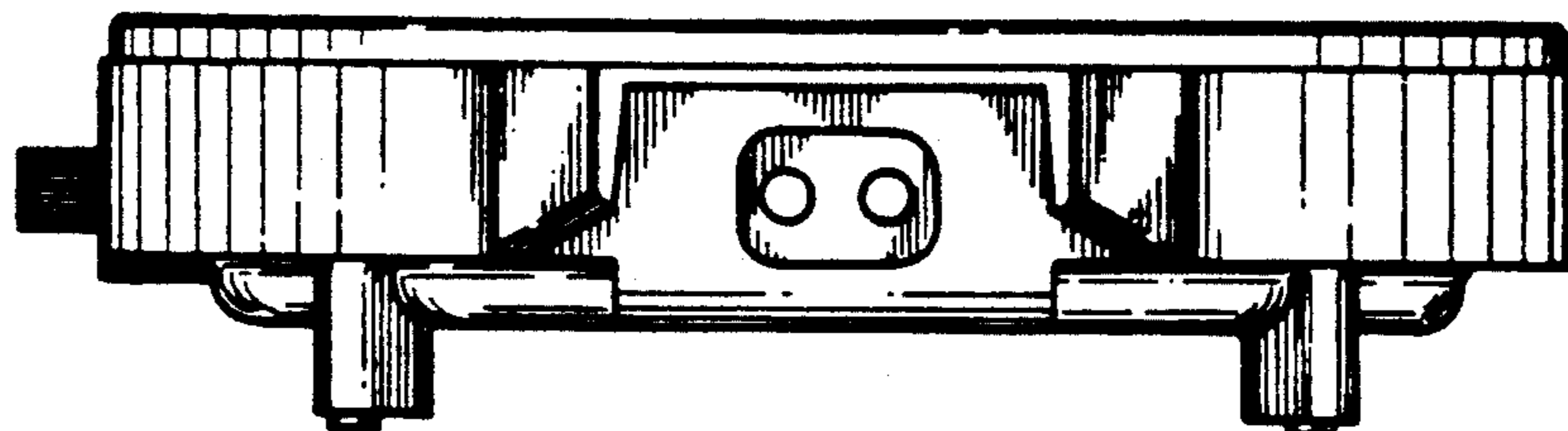




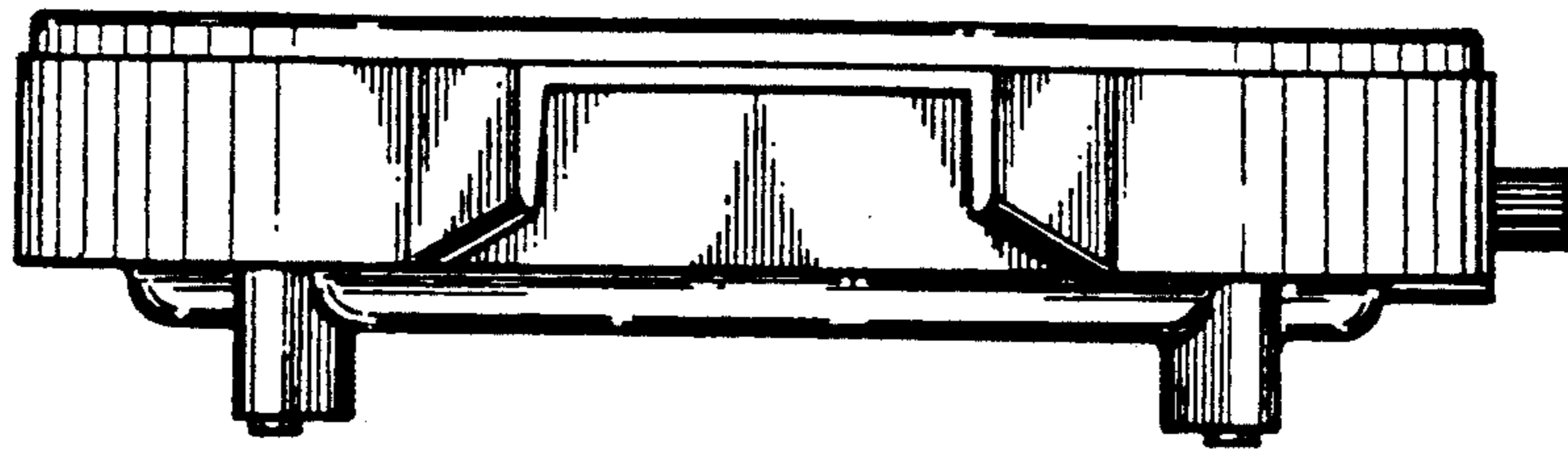
*Fig. 1*



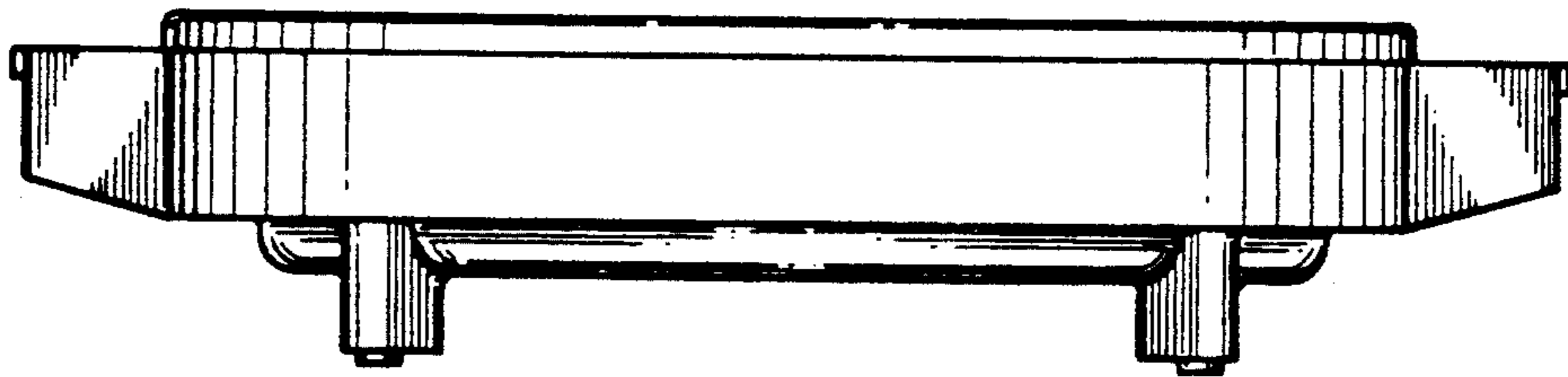
*Fig. 2*



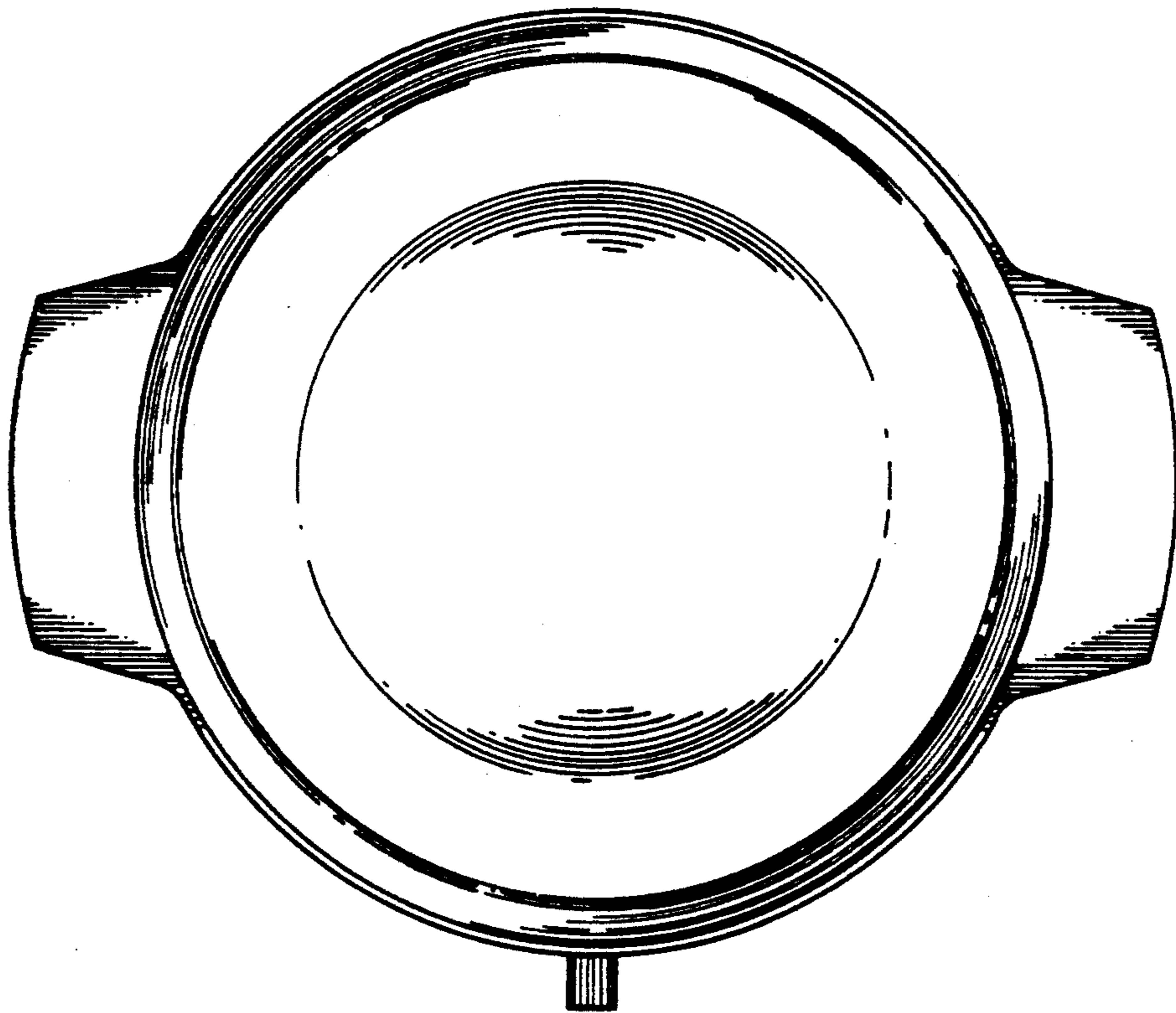
*Fig. 3*



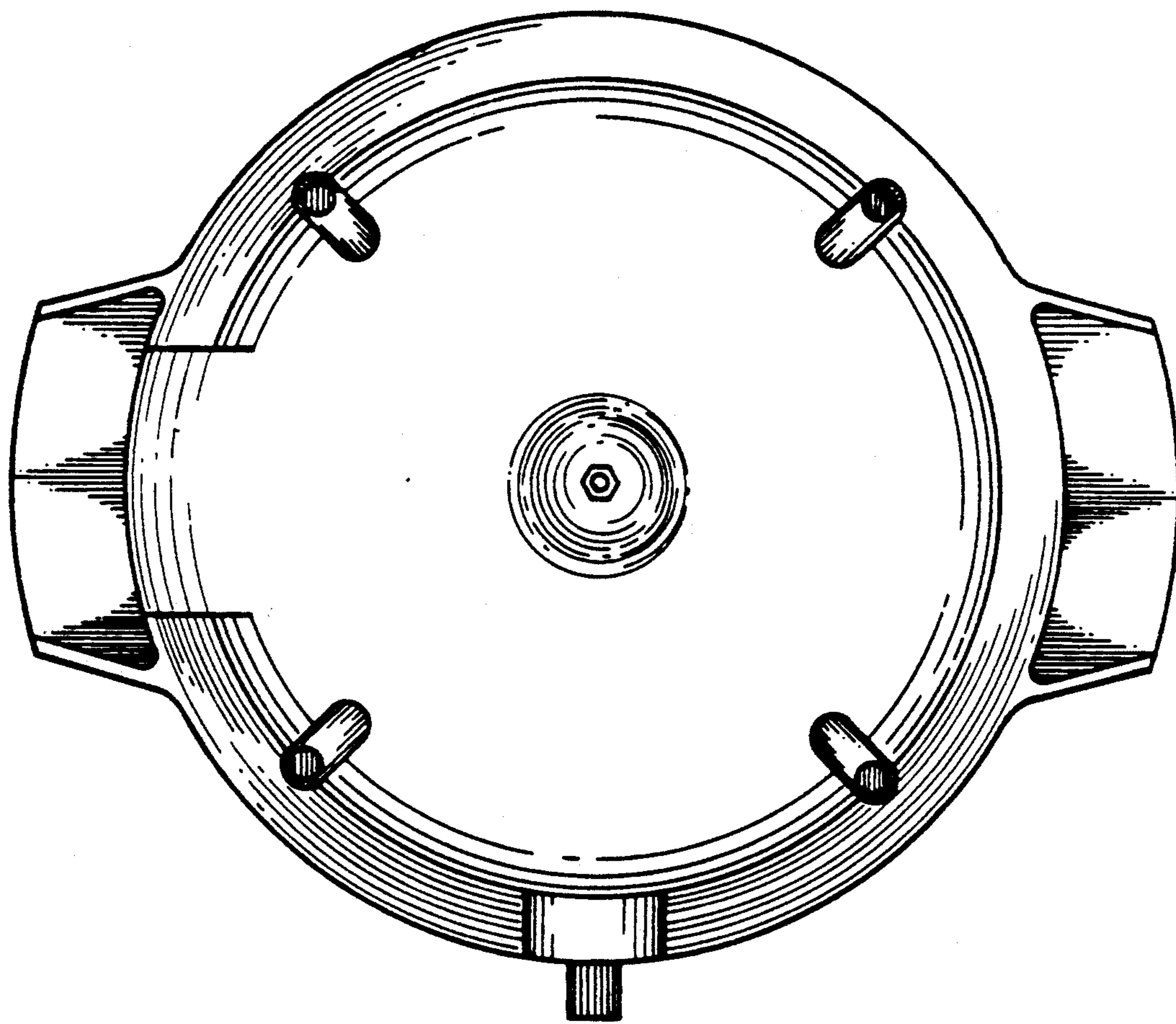
*Fig. 4*



*Fig. 5*



*Fig. 6*



*Fig. 7*