



US00D336008S

United States Patent [19]

[11] Patent Number: **Des. 336,008**

Kamata

[45] Date of Patent: **** Jun. 1, 1993**

[54] PORTABLE GAS COOKING STOVE

[75] Inventor: **Shingo Kamata, Osaka, Japan**

[73] Assignee: **Iwatani Sangyo Kabushiki Kaisha, Osaka, Japan**

[**] Term: **14 Years**

[21] Appl. No.: **708,011**

[22] Filed: **May 31, 1991**

[30] Foreign Application Priority Data

Dec. 11, 1990 [JP] Japan 2-41525

[52] U.S. Cl. **D7/362**

[58] Field of Search **D7/332, 337, 362, 367; 126/38, 39 R, 39 B, 39 E, 39 H, 40**

[56] References Cited

U.S. PATENT DOCUMENTS

- D. 244,664 6/1977 Monnet D7/337
- D. 252,971 9/1979 Ito D7/337
- D. 305,290 1/1990 Springer D7/367

OTHER PUBLICATIONS

Housewares, Aug. 1984, p. 38, "Cassette-feu Non-Hose Portable Gas Cooker".

Primary Examiner—A. Hugo Word

Assistant Examiner—Ruth McInroy

Attorney, Agent, or Firm—Lowe, Price, LeBlanc & Becker

[57] CLAIM

The ornamental design for a portable gas cooking stove, as shown and described.

DESCRIPTION

FIG. 1 is a top perspective view of a portable gas cooking stove showing my new design;
 FIG. 2 is a top plan view thereof;
 FIG. 3 is a left side elevational view thereof;
 FIG. 4 is a bottom plan view thereof;
 FIG. 5 is a right side elevational view thereof;
 FIG. 6 is a front elevational view thereof; and,
 FIG. 7 is a rear elevational view thereof.

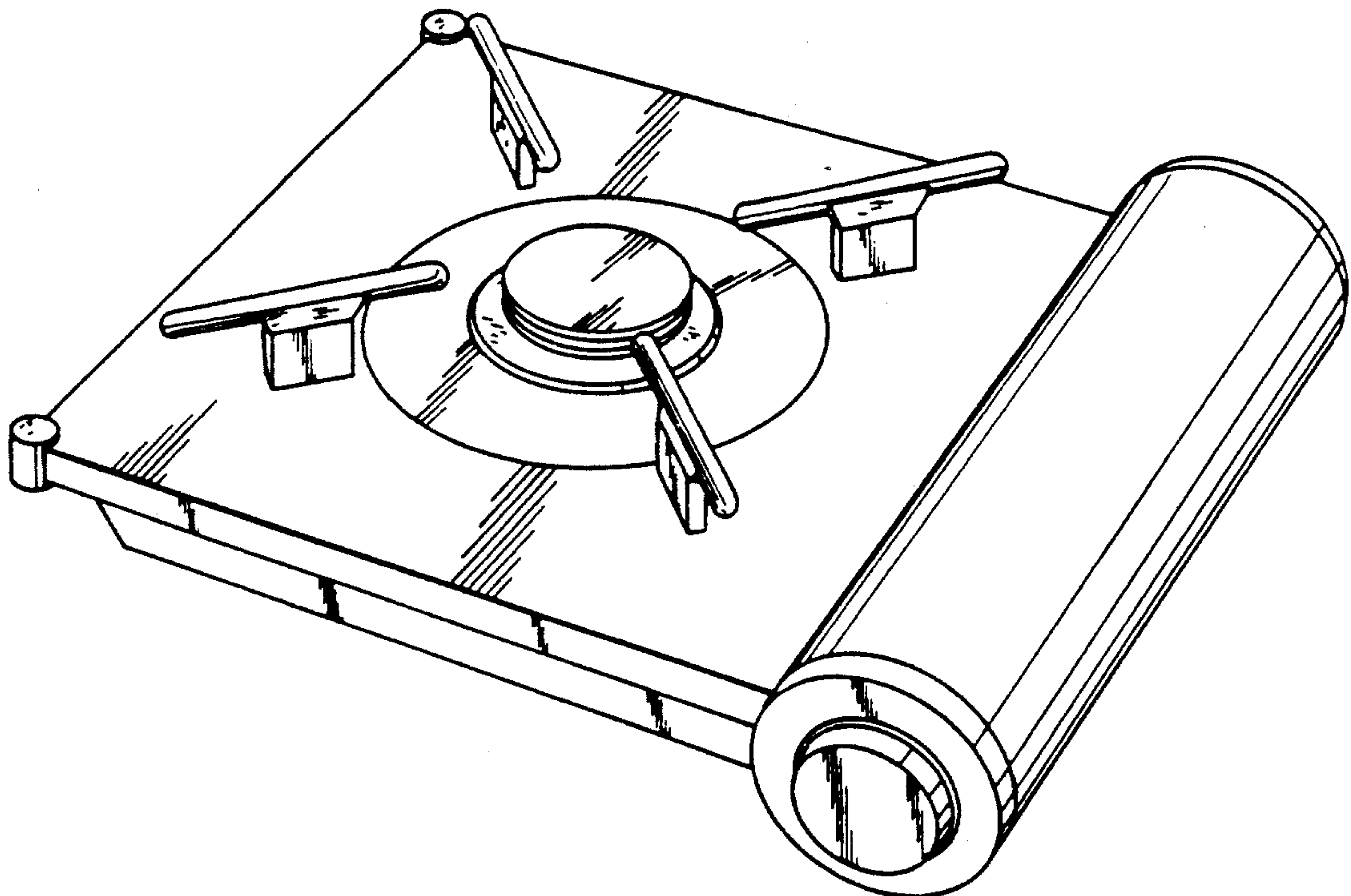


FIG. 1

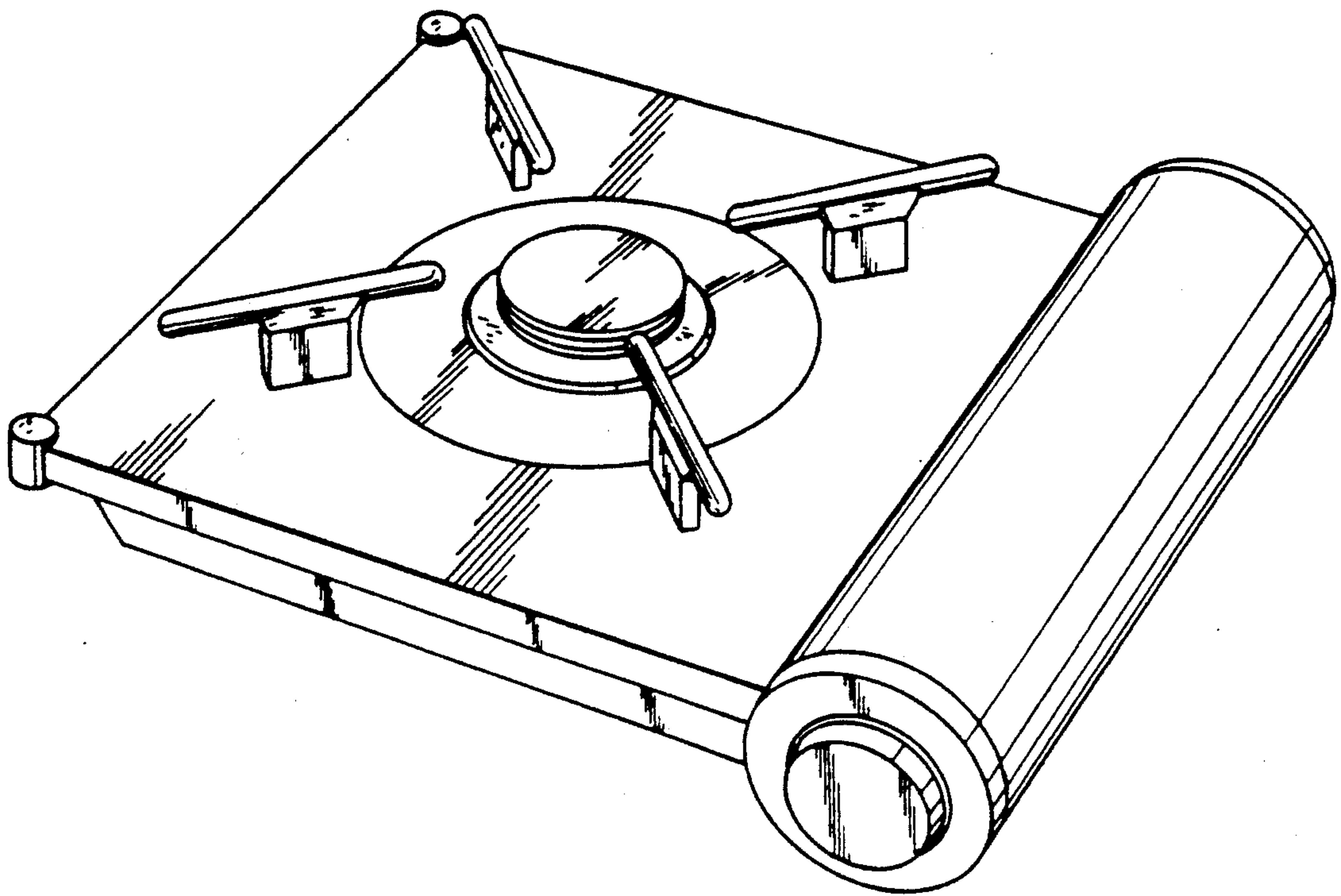


FIG. 2

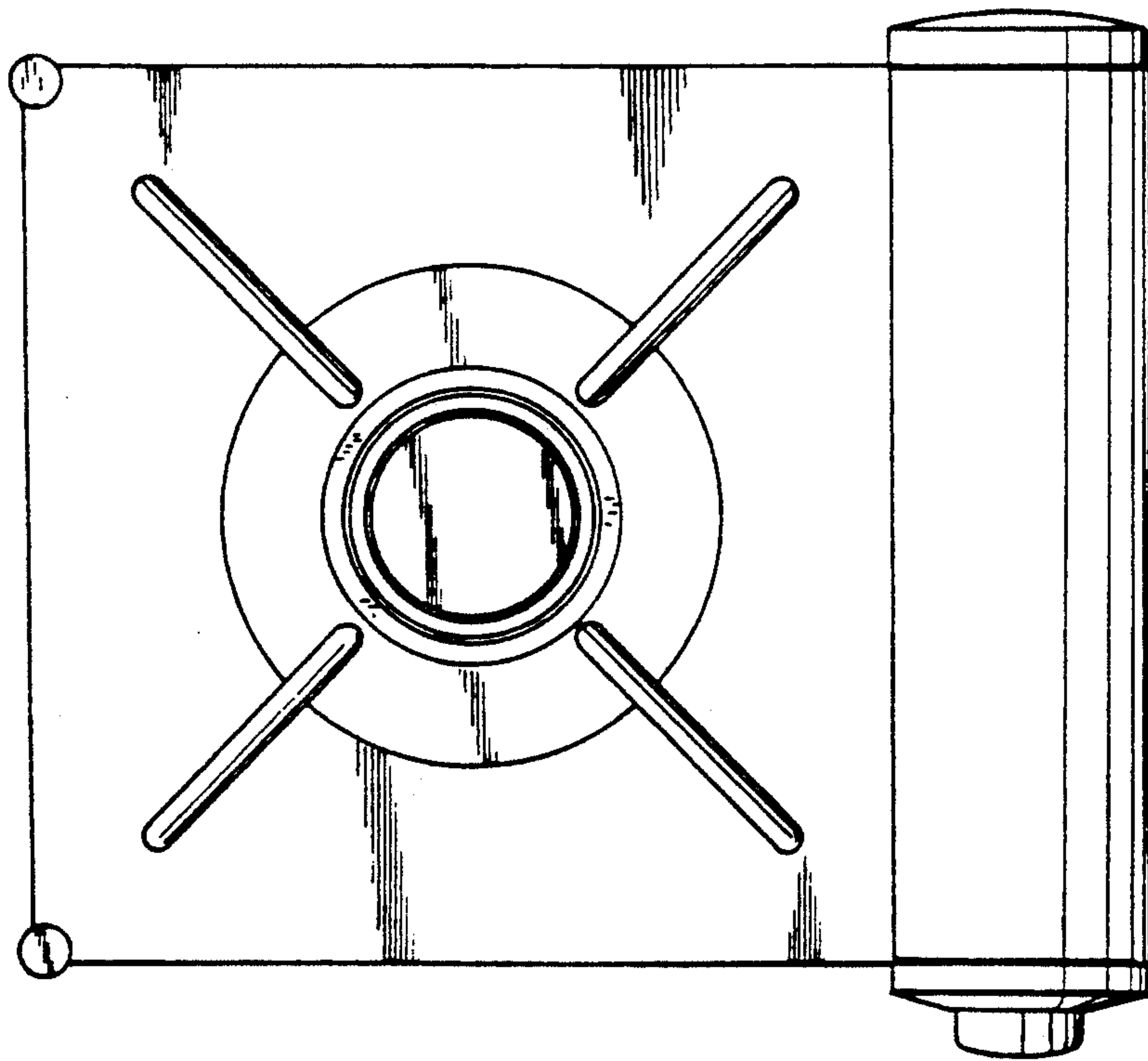


FIG. 3

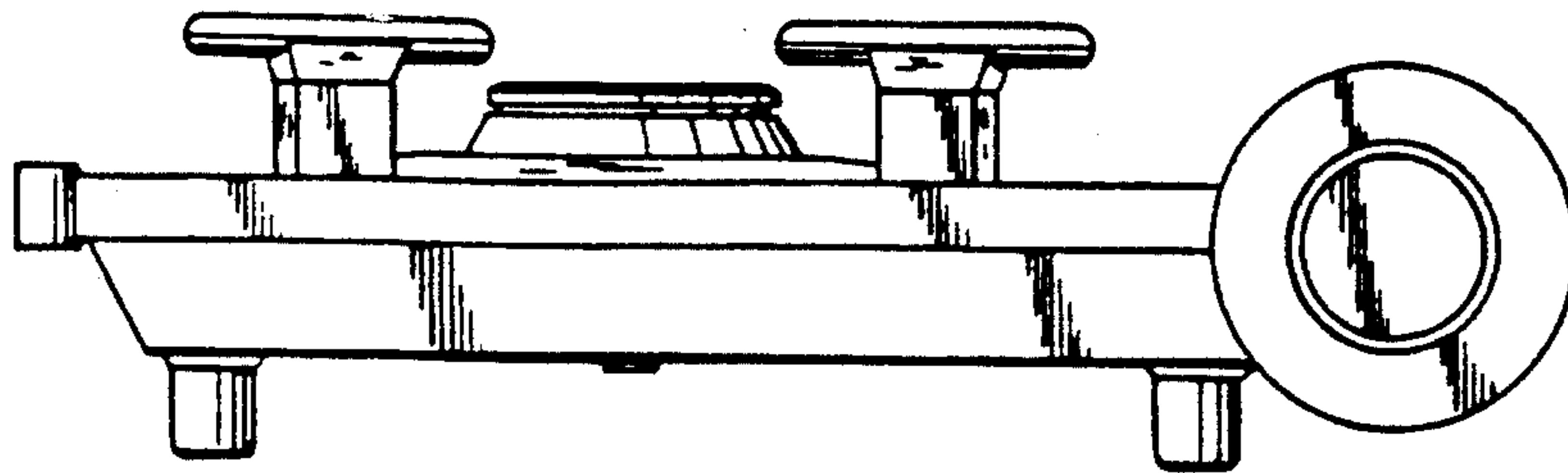


FIG. 4

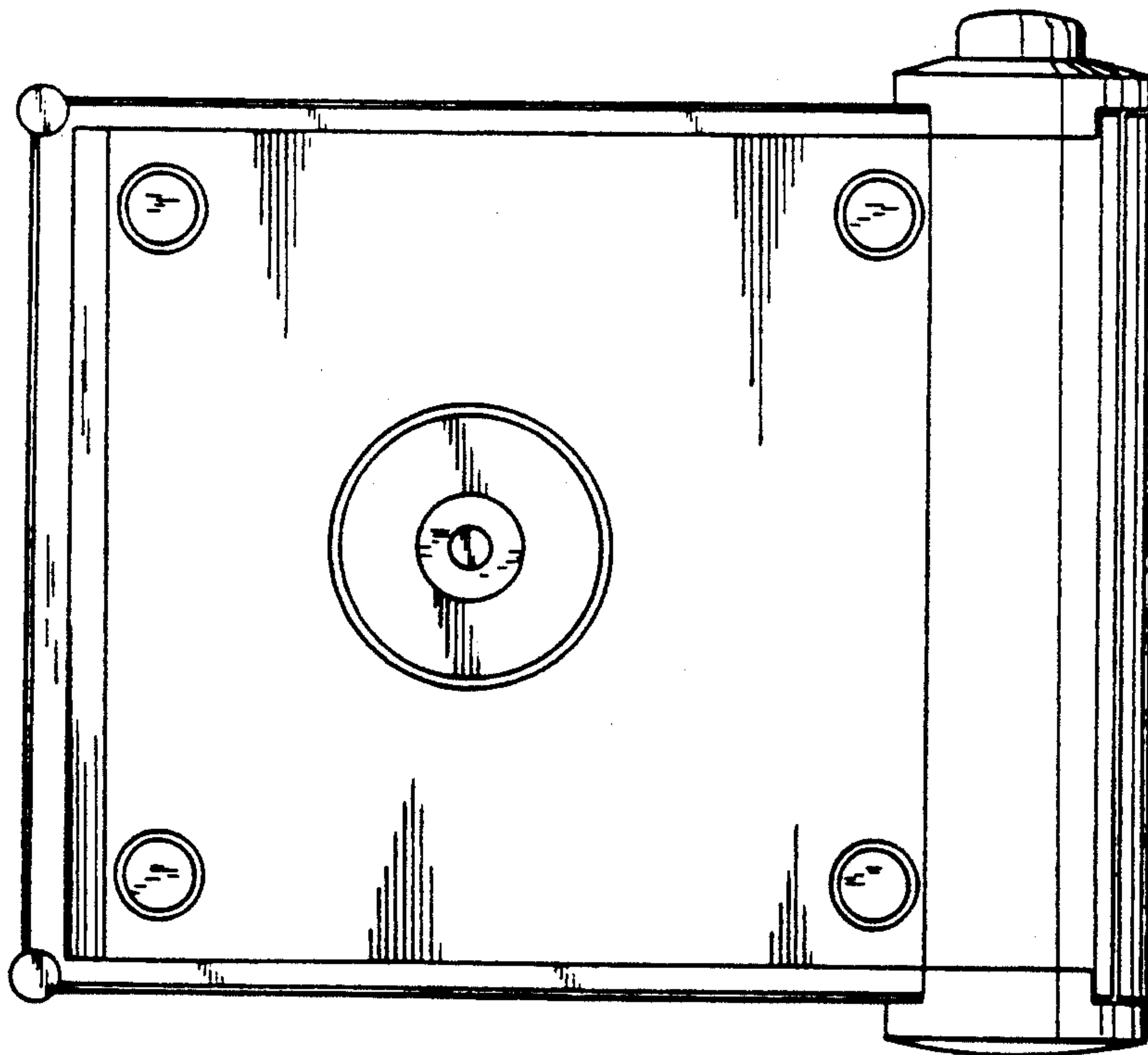


FIG. 5

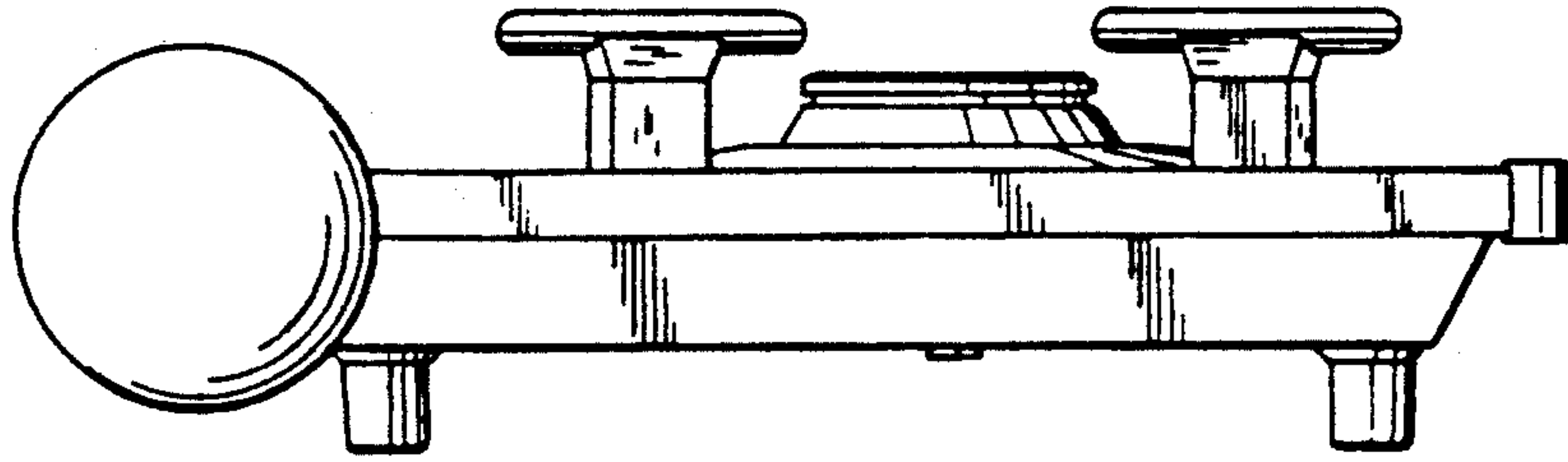


FIG. 6

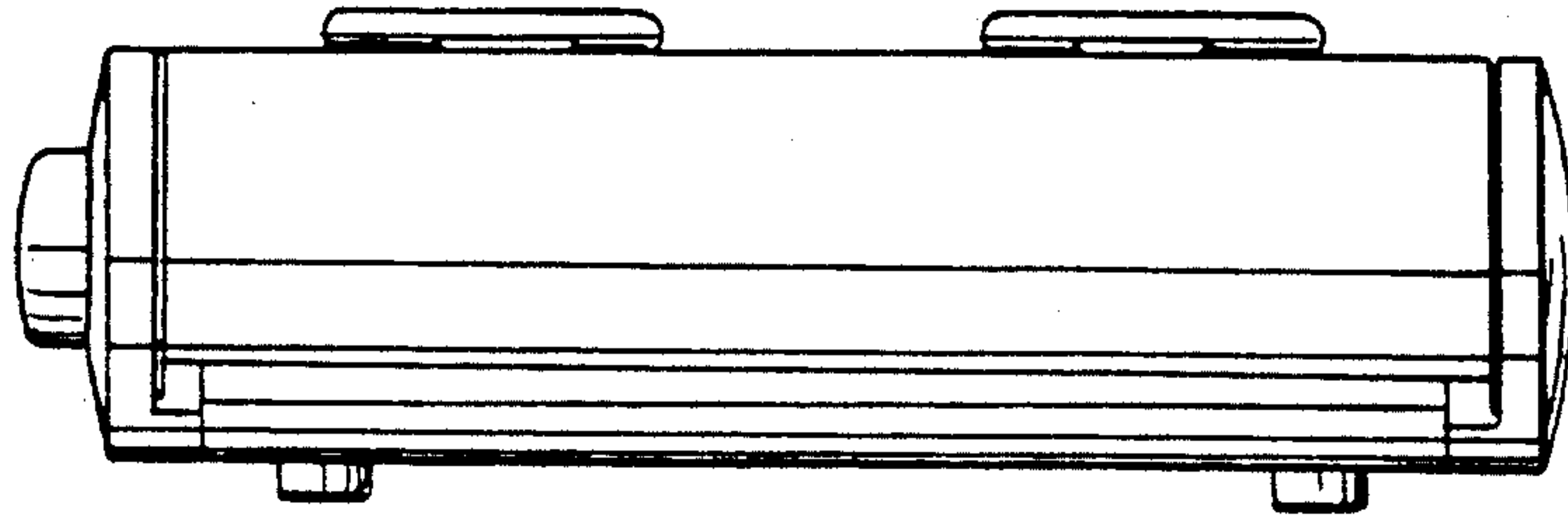


FIG. 7

