



US00D336005S

United States Patent [19]

[11] Patent Number: **Des. 336,005**

Keup

[45] Date of Patent: **** Jun. 1, 1993**

[54] **LIQUID CONTAINER HOLDER**

4,844,290 7/1989 McCurdy et al. D7/313 X

[76] Inventor: **David Keup**, 1218 Wildwood Rd.,
Jackson, Miss. 39212

FOREIGN PATENT DOCUMENTS

[**] Term: **14 Years**

1166425 of 1964 Fed. Rep. of Germany .
1436468 of 1966 France .

[21] Appl. No.: **726,535**

Primary Examiner—Terry A. Pfeffer
Attorney, Agent, or Firm—Terry M. Gernstein

[22] Filed: **Jul. 8, 1991**

[57] CLAIM

[52] U.S. Cl. **D7/313; D7/620**

The ornamental design for a liquid container holder, as shown and described.

[58] Field of Search **D7/300, 313, 616-625;**
D9/455; 211/74; 220/737; 222/173, 185, 518;
248/105, 146-148

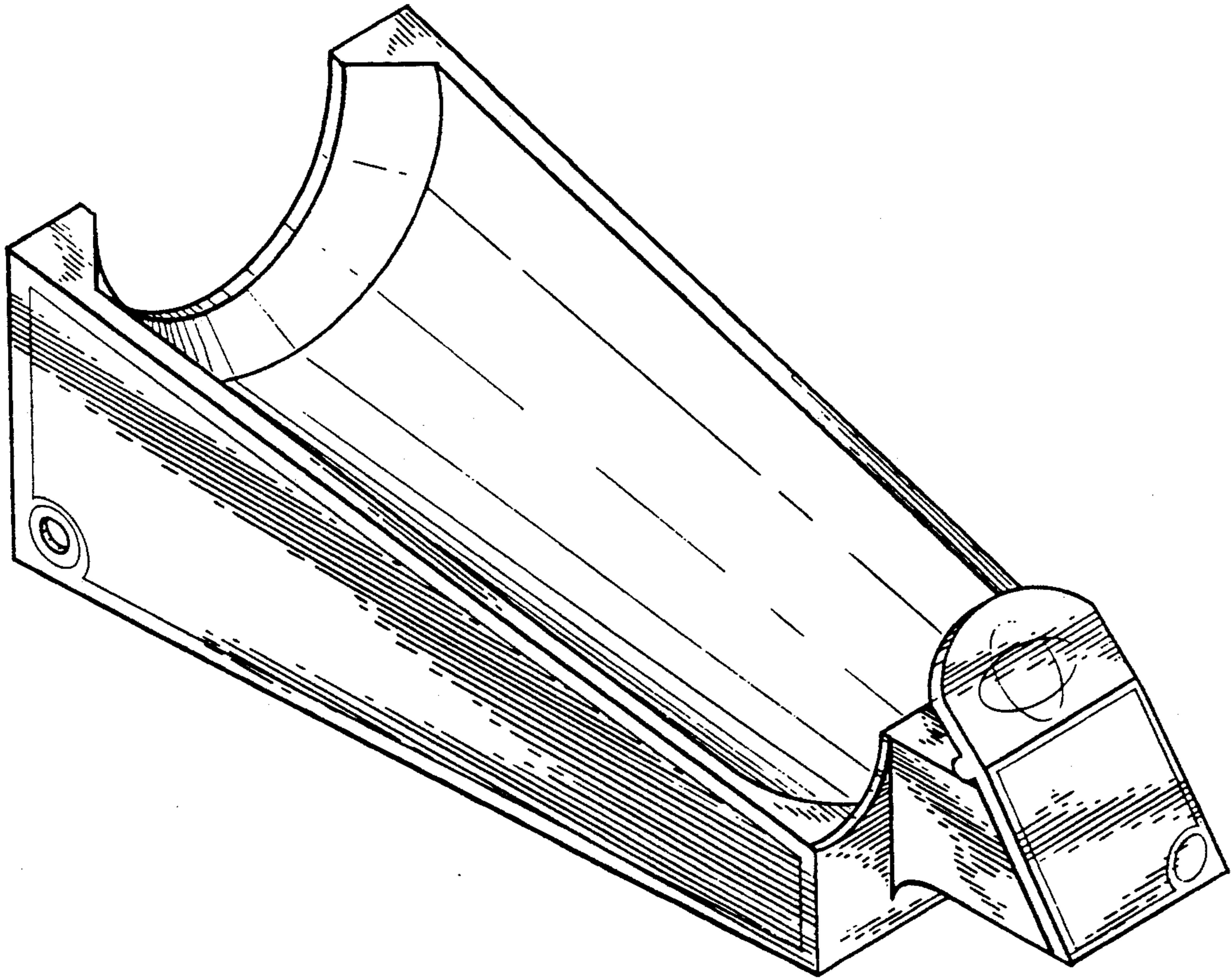
DESCRIPTION

[56] References Cited

U.S. PATENT DOCUMENTS

- 1,428,479 9/1922 Fuzy .
- 2,116,966 5/1938 Barlow .
- 2,476,587 7/1949 Doblin .
- 3,814,293 6/1974 Daves 211/74 X
- 4,664,297 5/1987 Giovinazzi D7/313 X

FIG. 1 is a perspective view of the liquid container holder showing my new design;
 FIG. 2 is a left side elevational view thereof, the opposite side being a mirror image;
 FIG. 3 is a front end elevational view thereof;
 FIG. 4 is a rear end elevational view thereof;
 FIG. 5 is a top plan view thereof; and,
 FIG. 6 is a bottom view thereof.



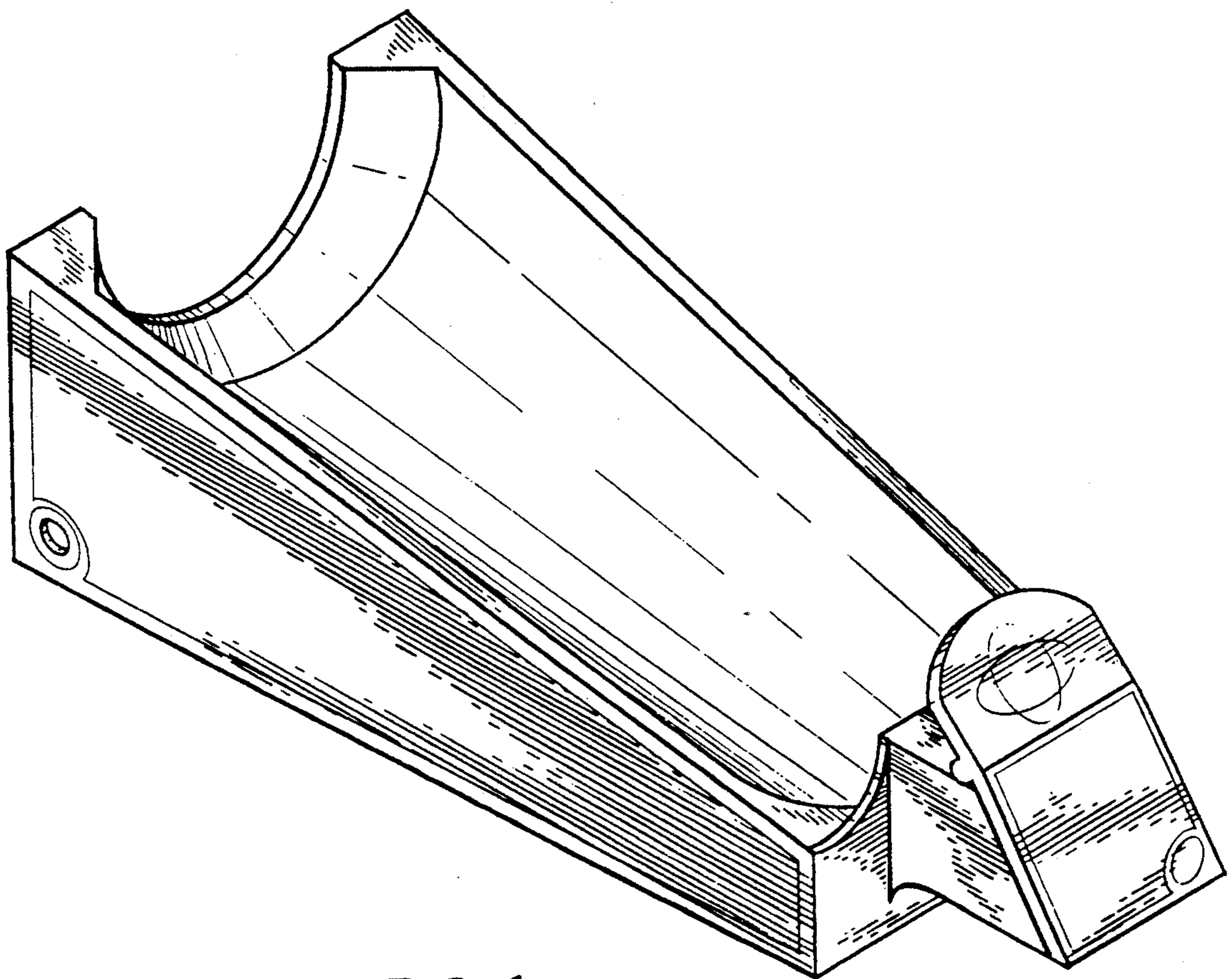


FIG. 1

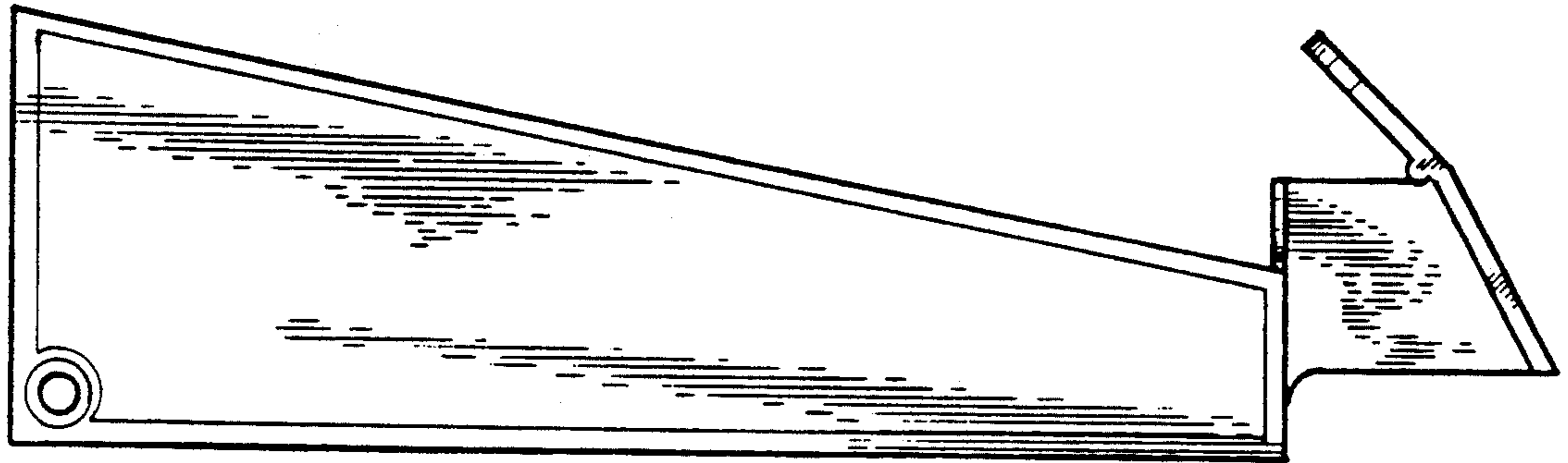


FIG. 2

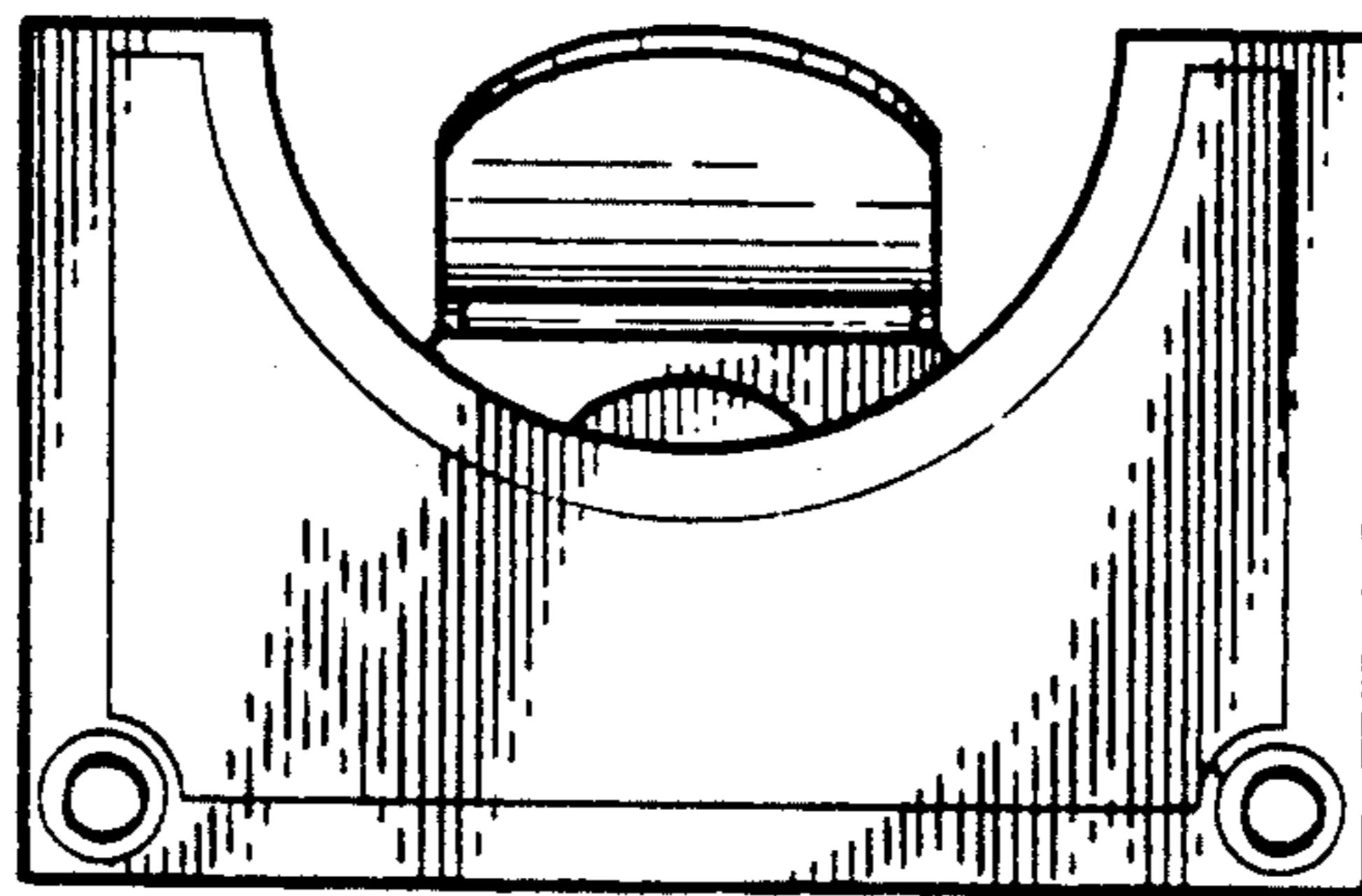


FIG. 3

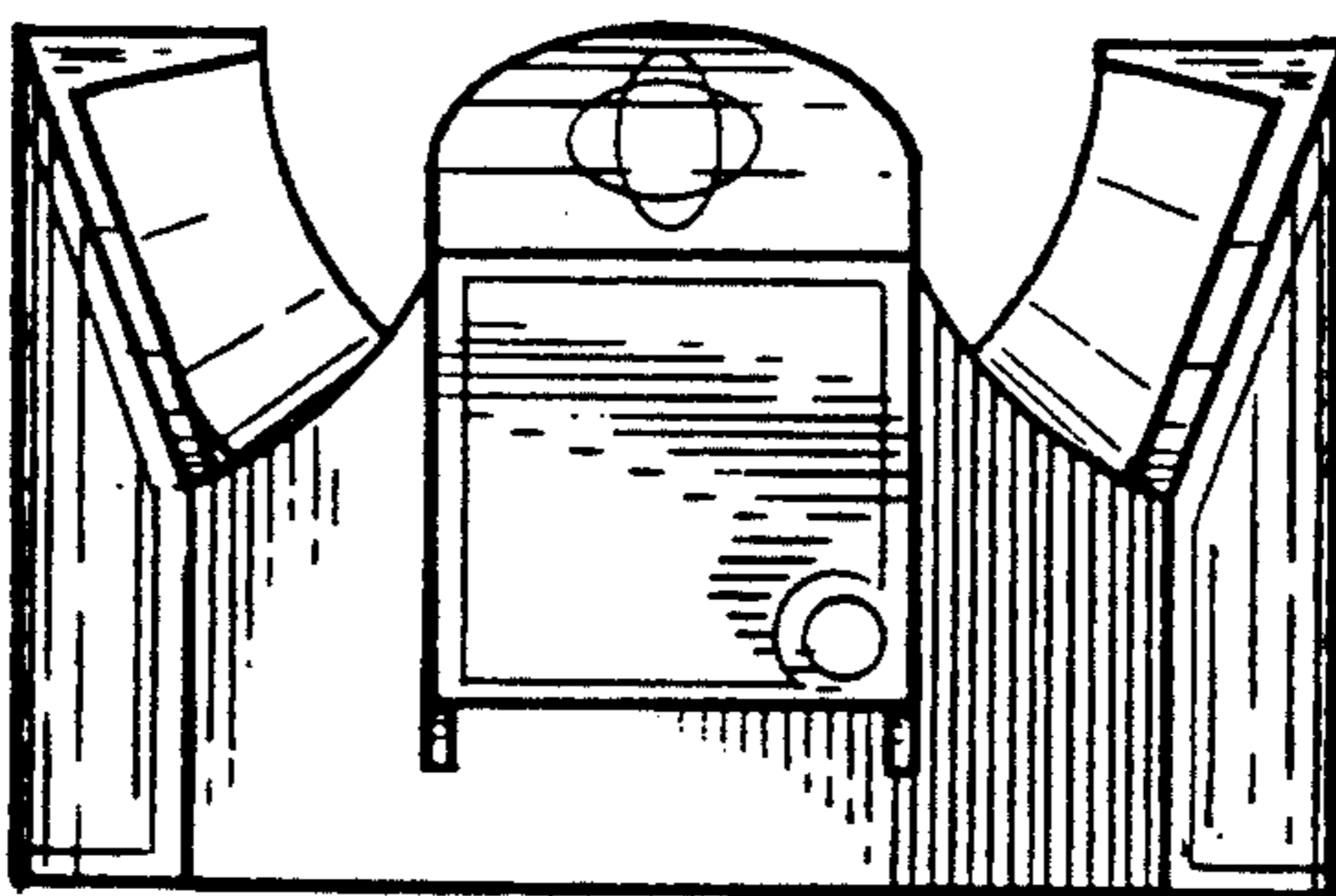


FIG. 4

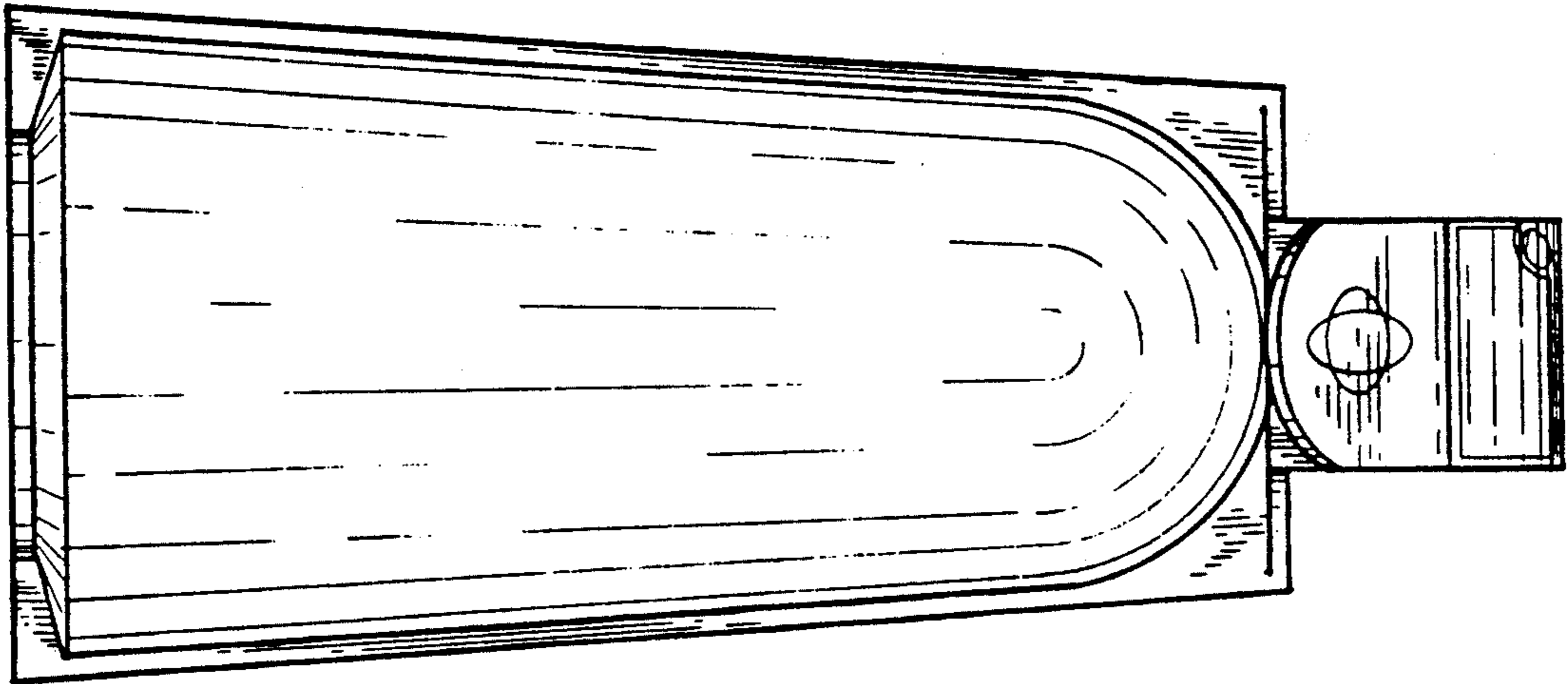


FIG. 5

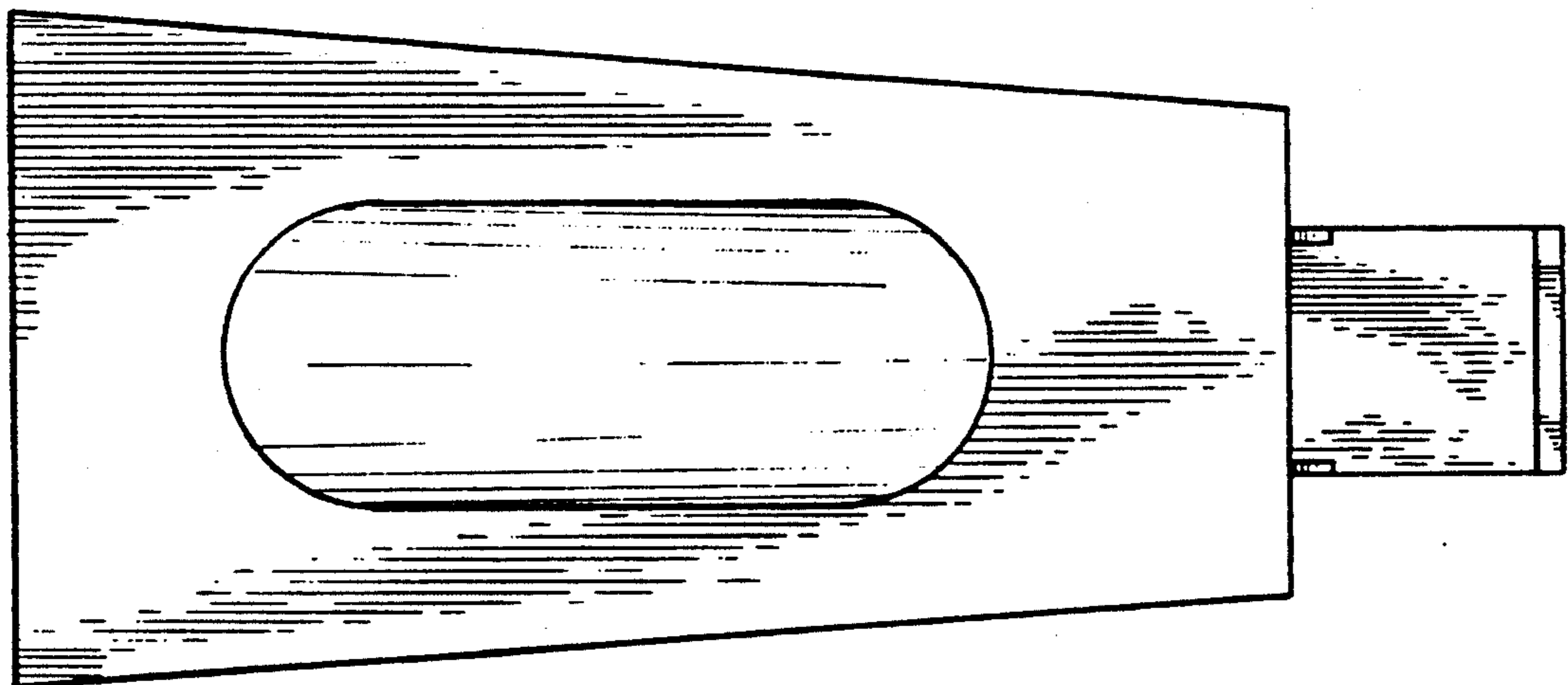


FIG. 6