



US00D336004S

**United States Patent** [19]  
**Kahlcke**

[11] **Patent Number: Des. 336,004**  
[45] **Date of Patent: \*\* Jun. 1, 1993**

- [54] **ESPRESSO MAKING MACHINE**
- [75] **Inventor: Hartwig Kahlcke, Kronberg, Fed. Rep. of Germany**
- [73] **Assignee: Robert Krups GmbH & Co. KG, Solingen, Fed. Rep. of Germany**
- [\*\*] **Term: 14 Years**
- [21] **Appl. No.: 626,640**
- [22] **Filed: Dec. 12, 1990**
- [52] **U.S. Cl. .... D7/309; D7/310; D7/311**
- [58] **Field of Search ..... D7/300, 305, 309, 310, D7/311, 312; 99/279, 280, 284-286, 288-296, 306-315, 323.3**

- D. 288,885 3/1987 Kahlcke ..... D7/309
- 4,632,024 12/1986 Cortese ..... 99/293
- 4,951,556 8/1990 Ng ..... 99/285

*Primary Examiner*—Alan P. Douglas  
*Assistant Examiner*—Caron D. Veynar  
*Attorney, Agent, or Firm*—Peter K. Kontler

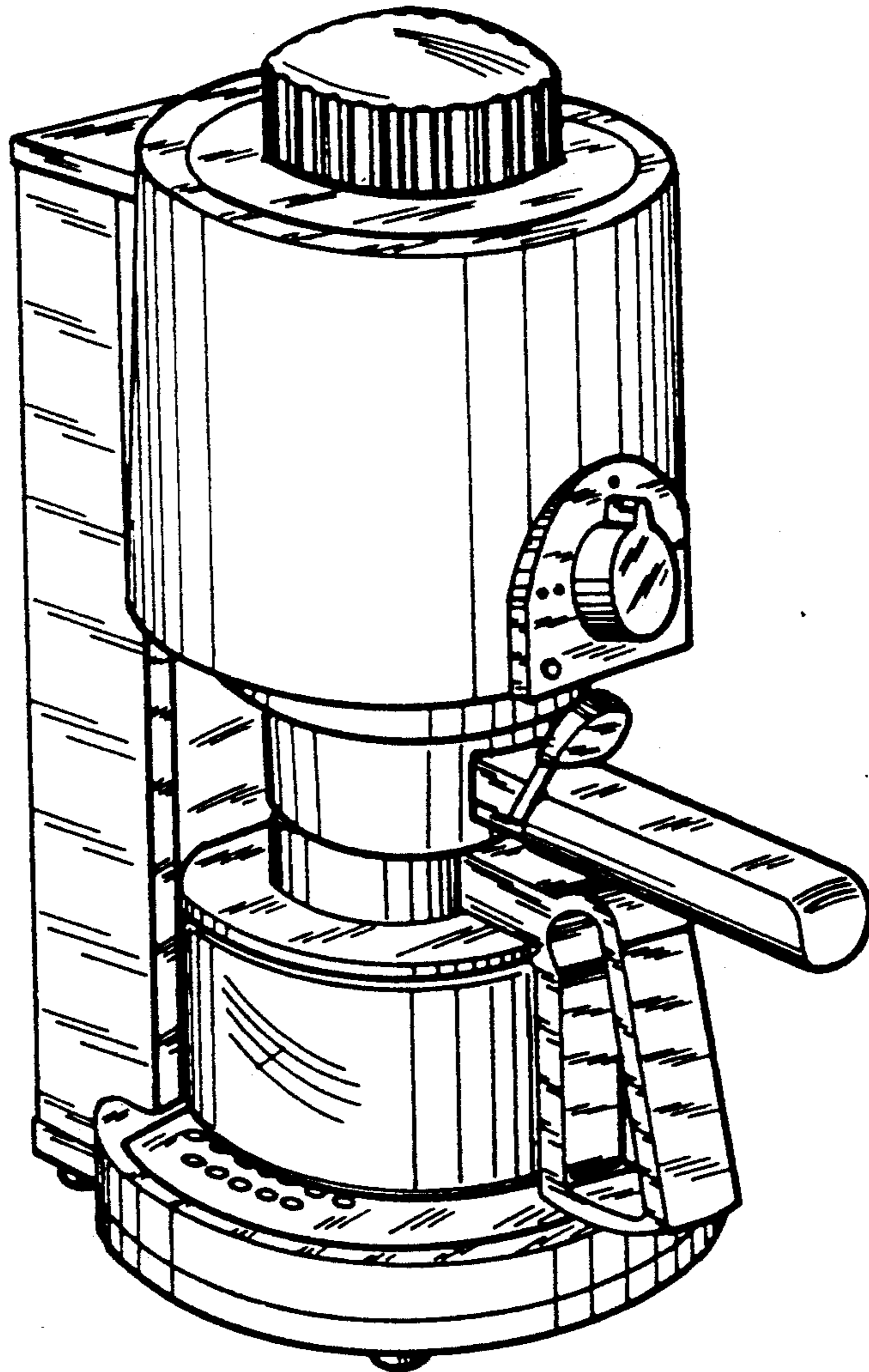
[57] **CLAIM**

The ornamental design for an espresso making machine, as shown and described.

**DESCRIPTION**

FIG. 1 is a front left-hand perspective view of an espresso making machine showing my new design; FIG. 2 is a front elevational view thereof; FIG. 3 is a top plan view thereof; FIG. 4 is a bottom plan view thereof; FIG. 5 is a rear elevational view thereof; FIG. 6 is a left side elevational view thereof; and, FIG. 7 is a right side elevational view thereof.

- [56] **References Cited**
- U.S. PATENT DOCUMENTS**
- D. 255,120 5/1980 Bardeau ..... D7/309



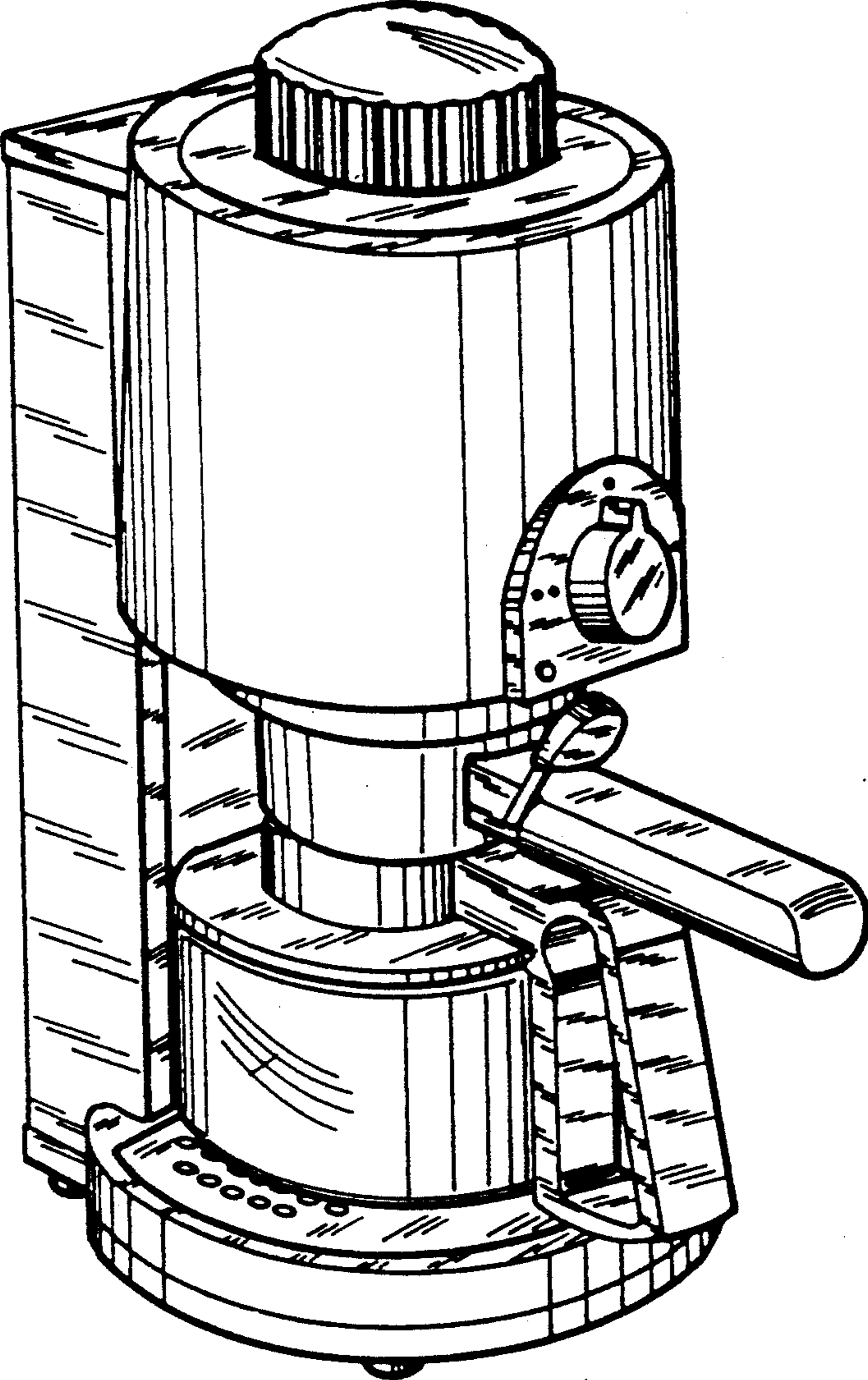


FIG. 1

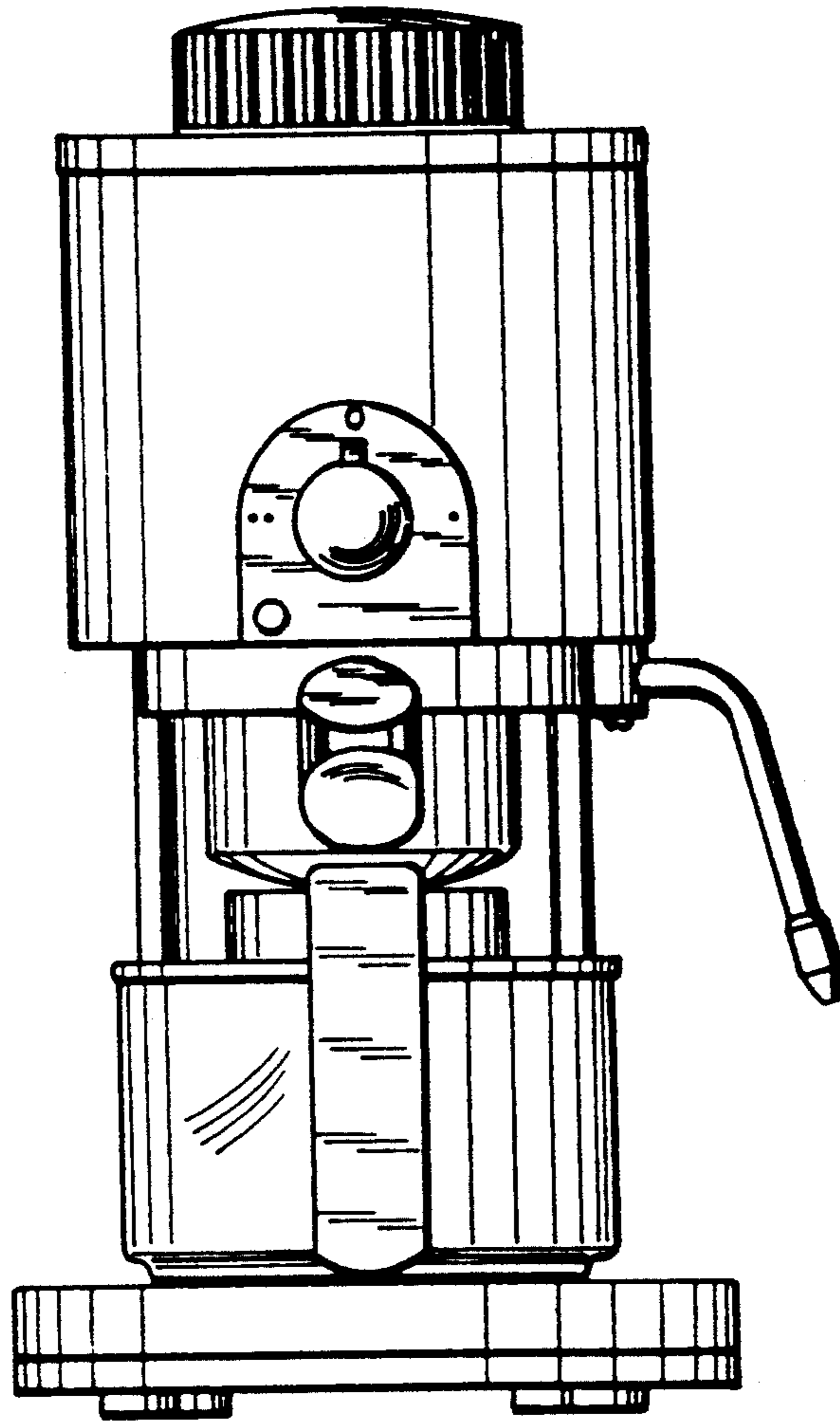


FIG. 2

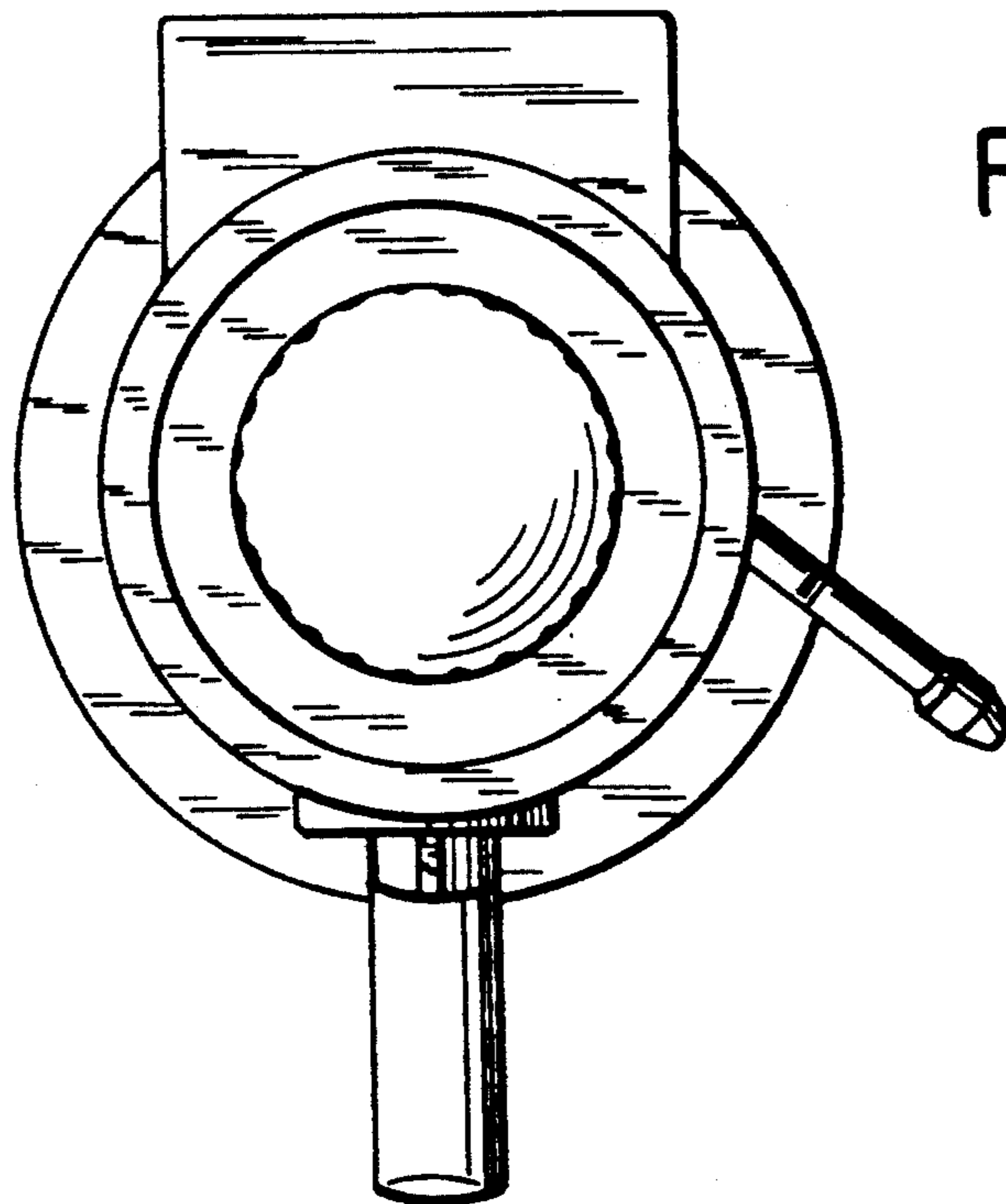


FIG. 3

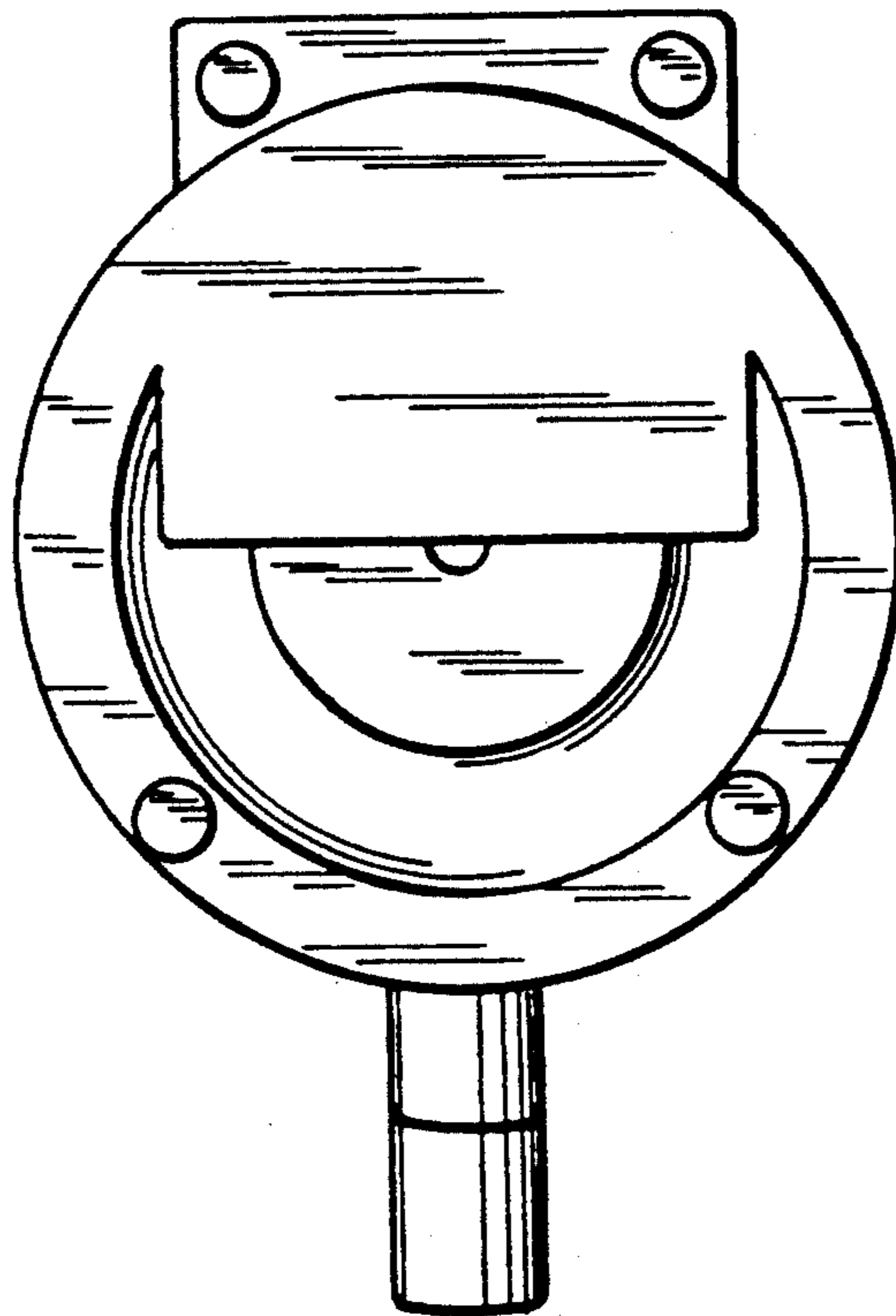


FIG. 4

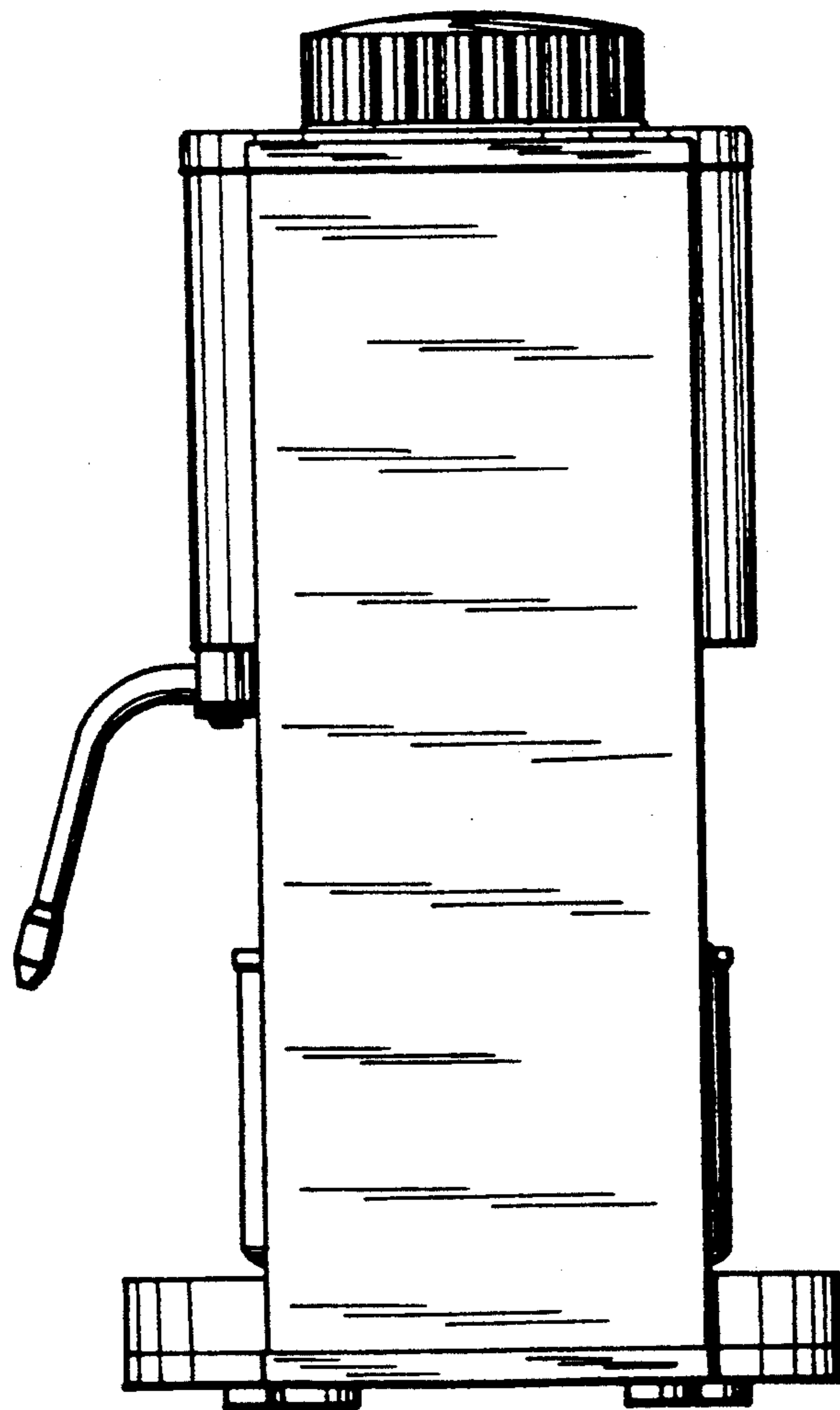


FIG. 5

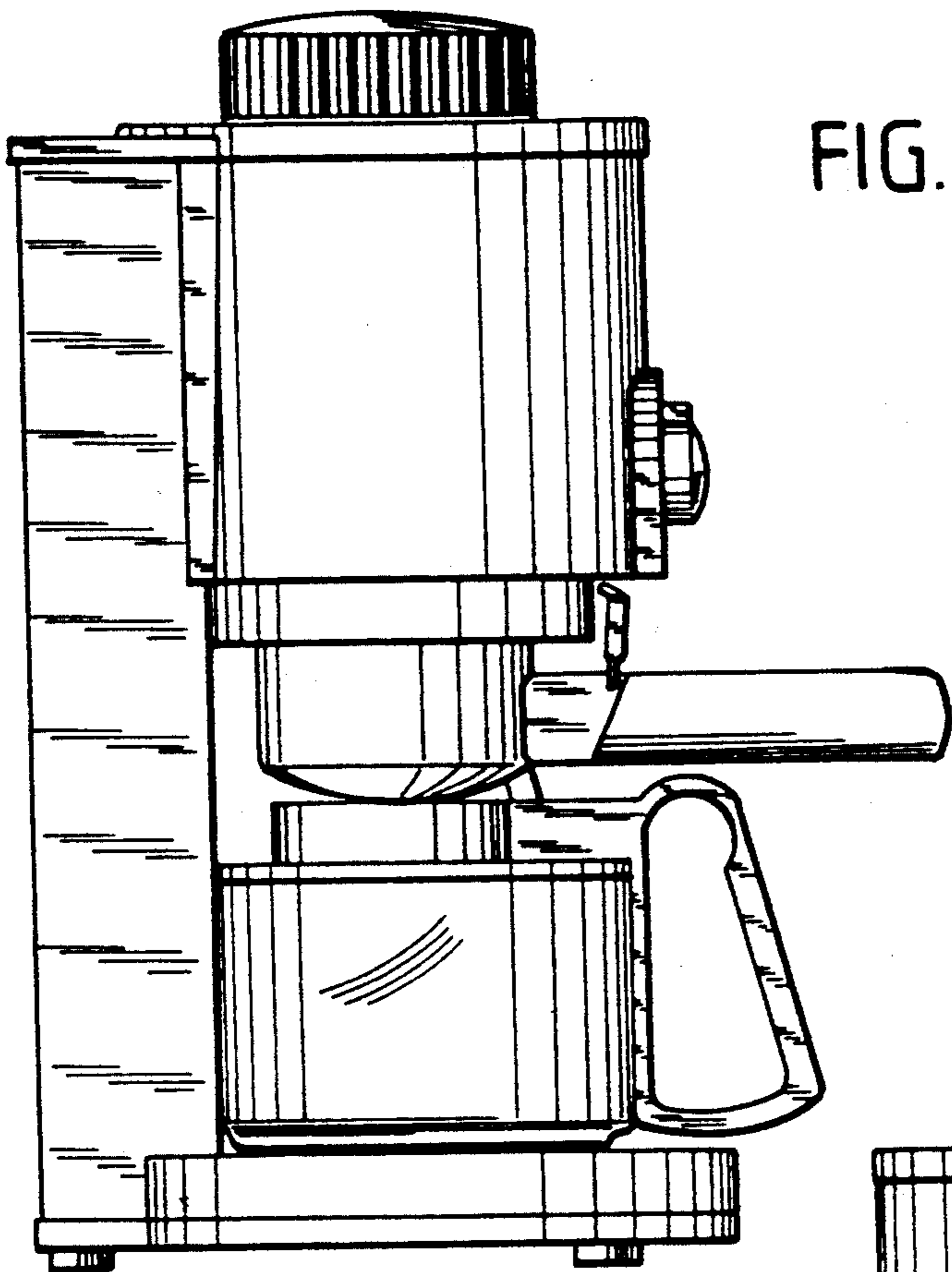


FIG. 6

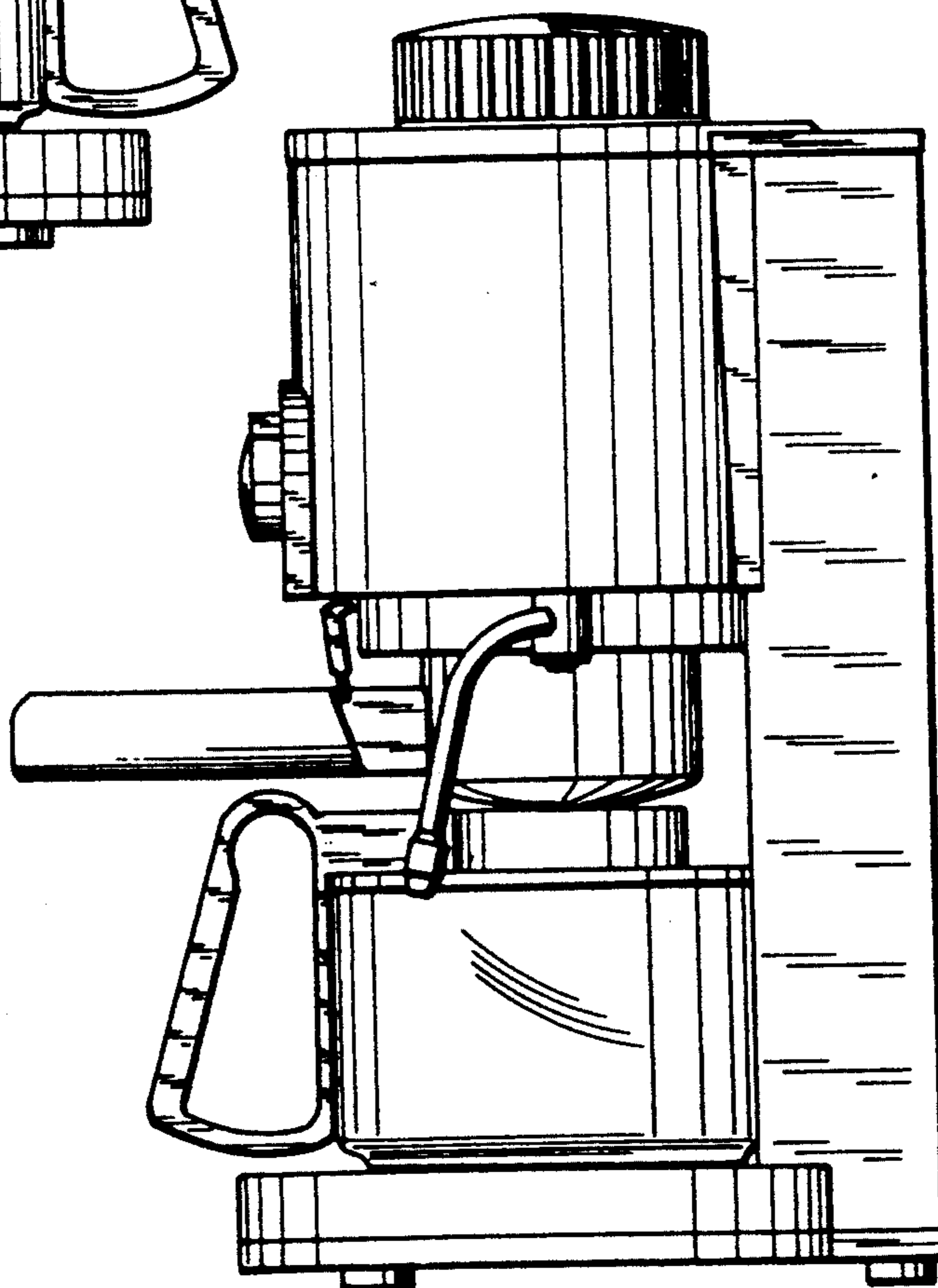


FIG. 7