



US00D336001S

United States Patent [19]

[11] Patent Number: **Des. 336,001**

Bizzarri

[45] Date of Patent: **** Jun. 1, 1993**

[54] COFFEE MAKER

[75] Inventor: **Claudio Bizzarri**, Santa Vittoria di Gualtieri, Italy

[73] Assignee: **Moulinex (Societe Anonyme)**, Bagnolet, France

[**] Term: **14 Years**

[21] Appl. No.: **558,409**

[22] Filed: **Jul. 27, 1990**

[30] Foreign Application Priority Data

Feb. 13, 1990 [IT] Italy 20621B/90

[52] U.S. Cl. **D7/309; D7/311**

[58] Field of Search **D7/300, 309-312; 99/279, 280, 284, 285, 286, 288, 289 D, 290, 291-296, 306-315, 323.3**

[56] References Cited

U.S. PATENT DOCUMENTS

D. 158,997 6/1950 Parker D7/300

OTHER PUBLICATIONS

Vending Times; Dec. 1983; p. 43; "Mondiale" Grinder/Doser third from the top.

Primary Examiner—Alan P. Douglas
Assistant Examiner—Caron D. Veynar
Attorney, Agent, or Firm—Young & Thompson

[57] CLAIM

The ornamental design for a coffee maker, as shown.

DESCRIPTION

FIG. 1 is a front, top and side perspective view of a coffee maker showing my new design; FIG. 2 is a front elevational view thereof; FIG. 3 is a side elevational view thereof from the left of FIG. 2; FIG. 4 is a side elevational view thereof from the right of FIG. 2; FIG. 5 is a rear elevational view thereof; FIG. 6 is a top plan view thereof; and, FIG. 7 is a bottom plan view thereof.

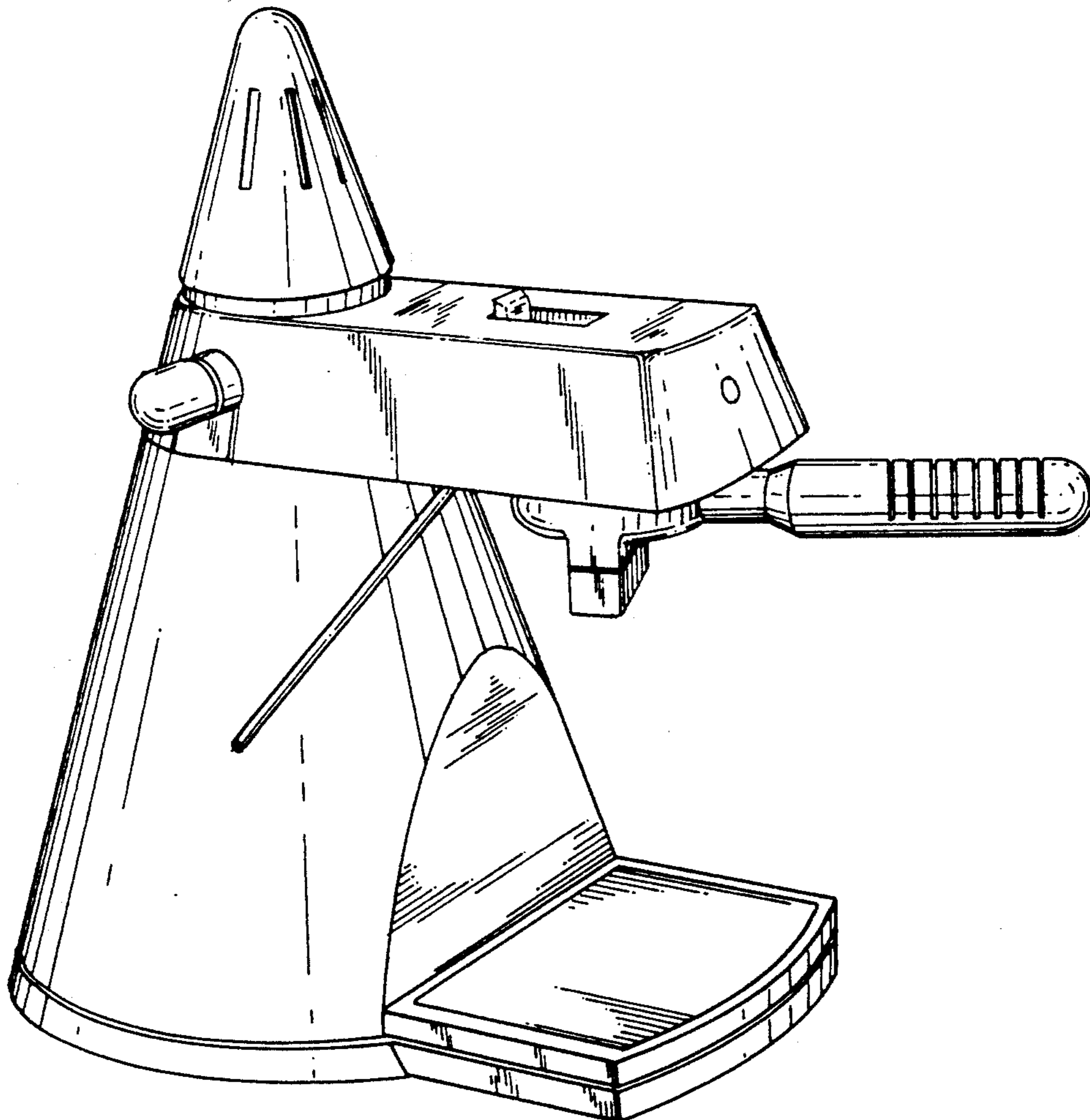


FIG. 1

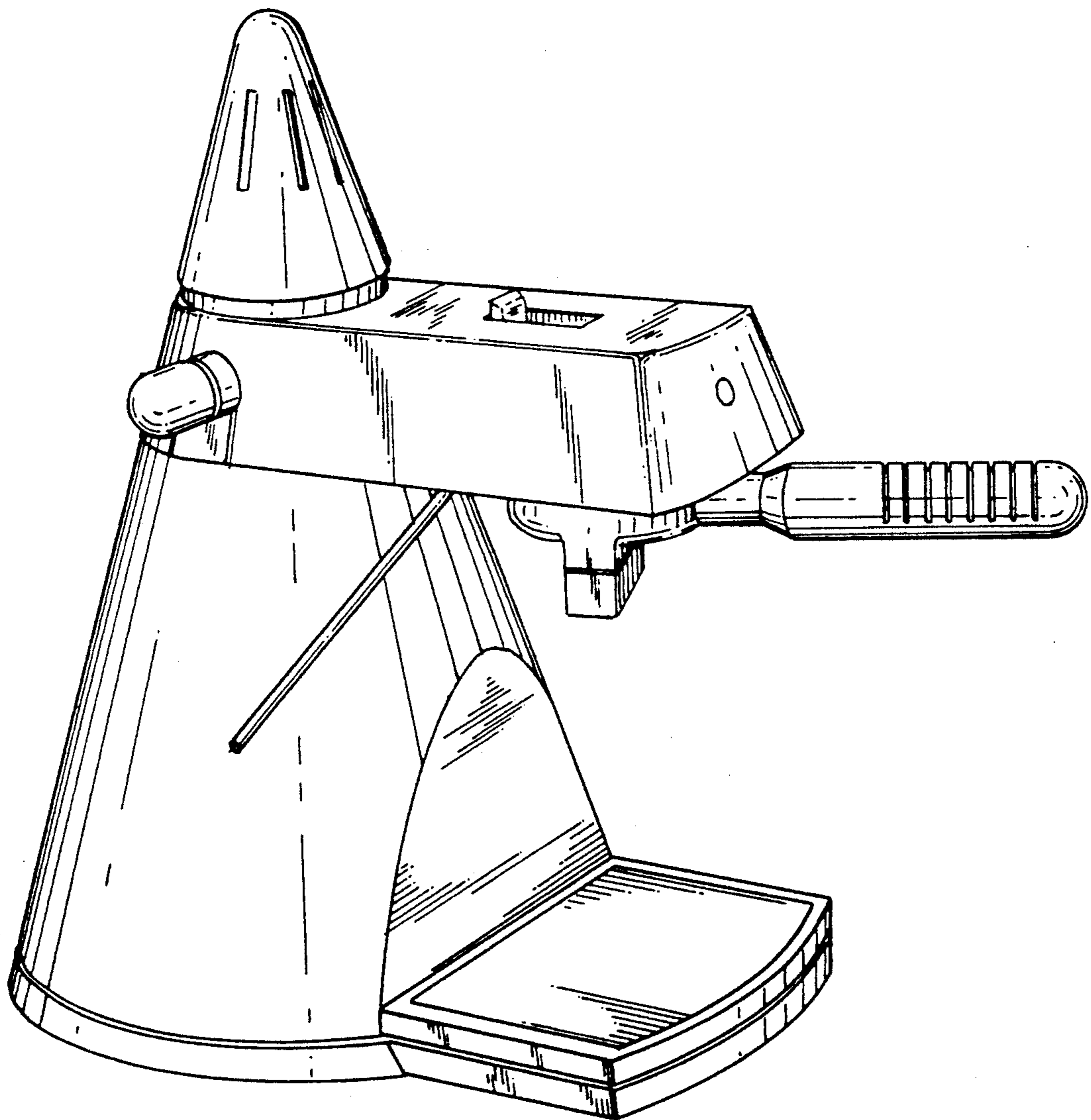


FIG. 2

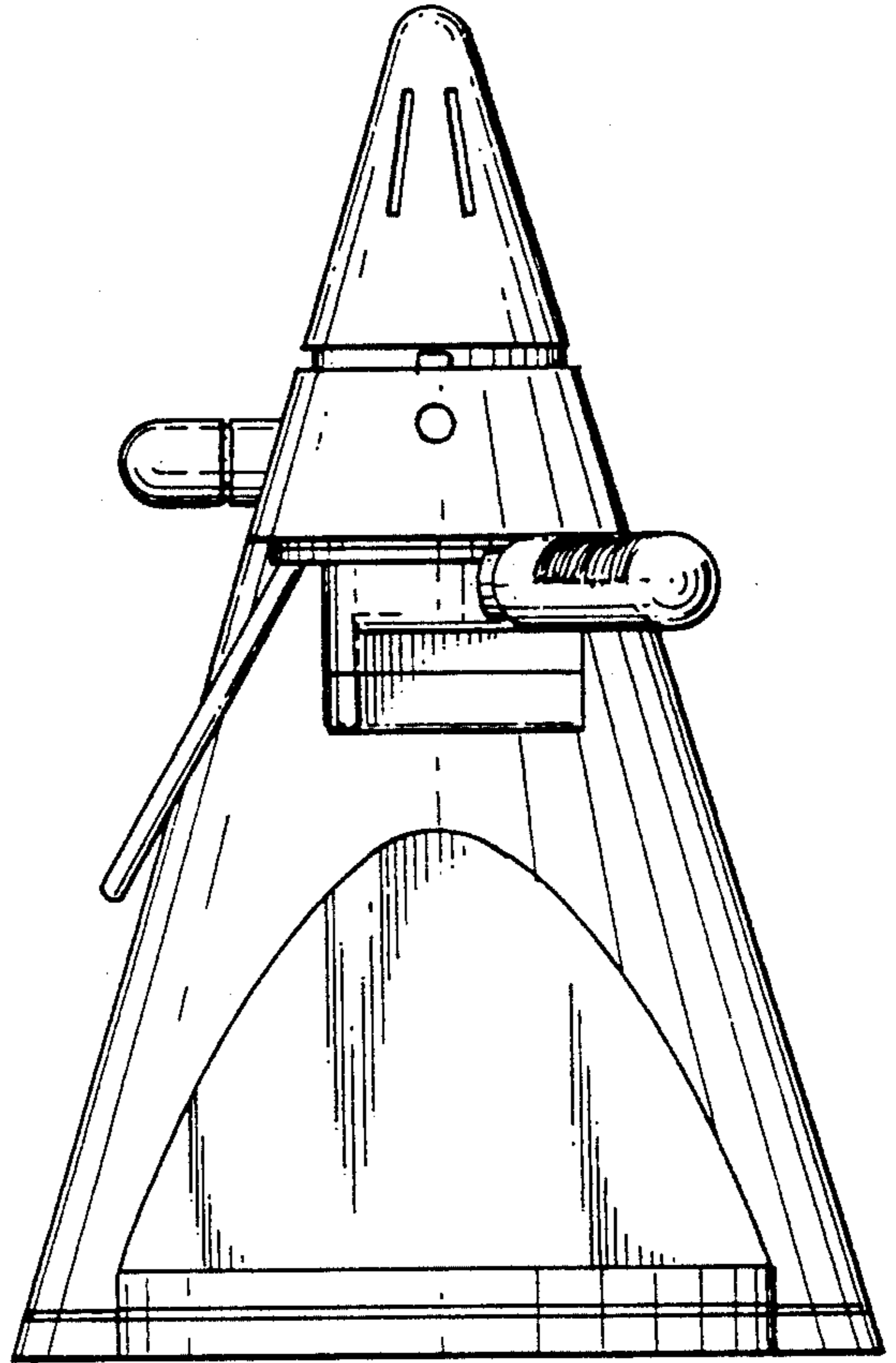


FIG. 3

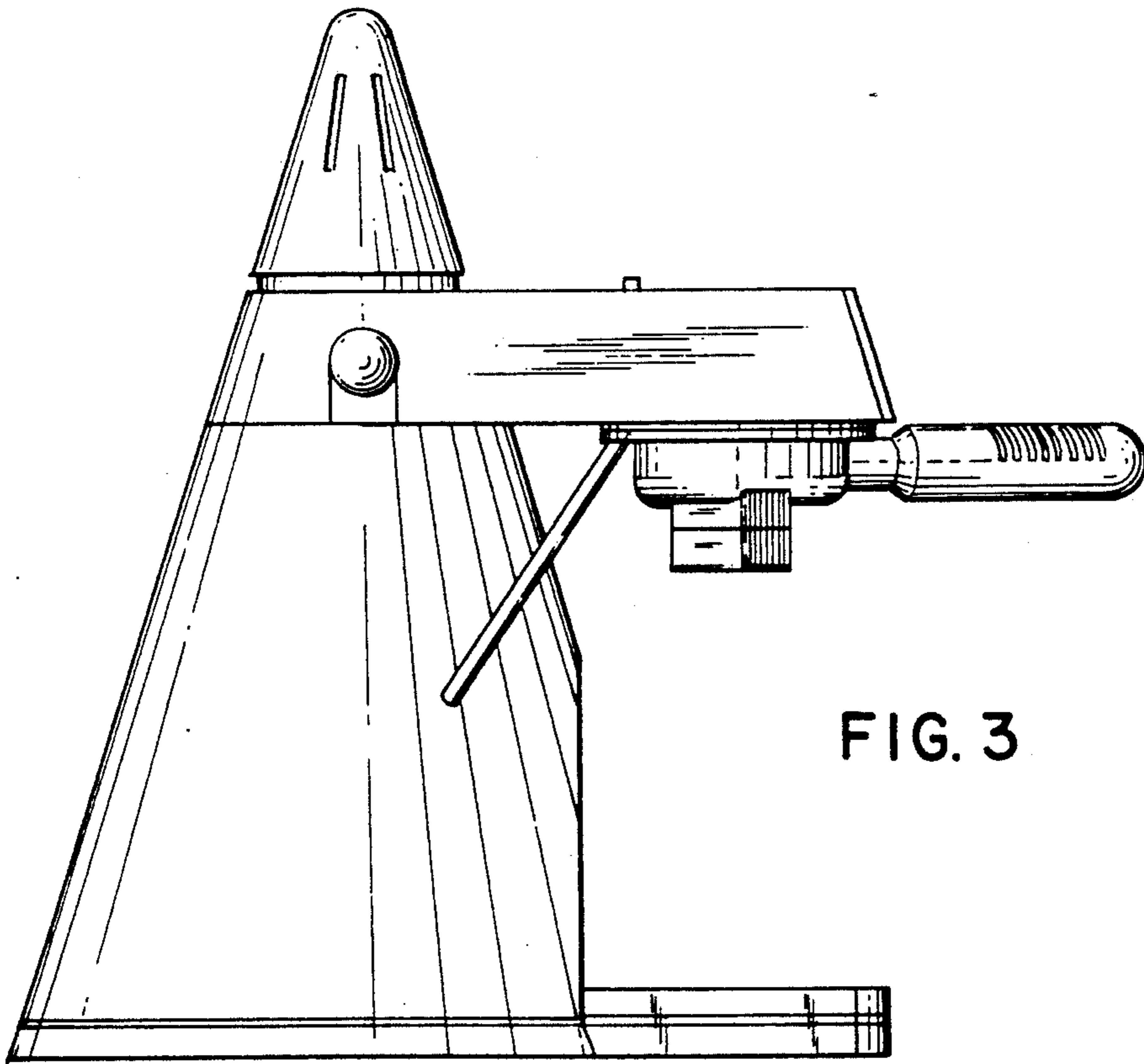


FIG. 4

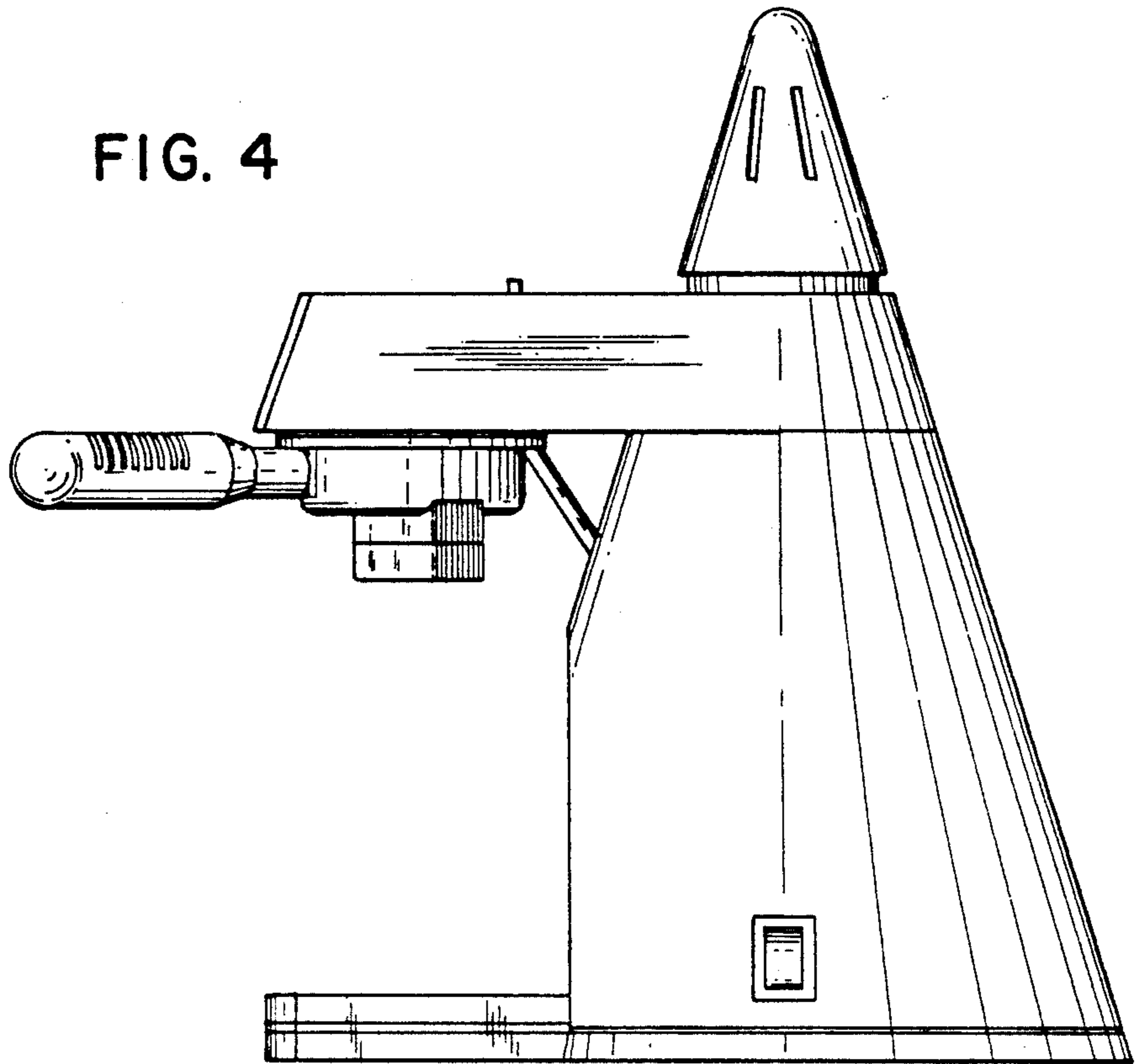
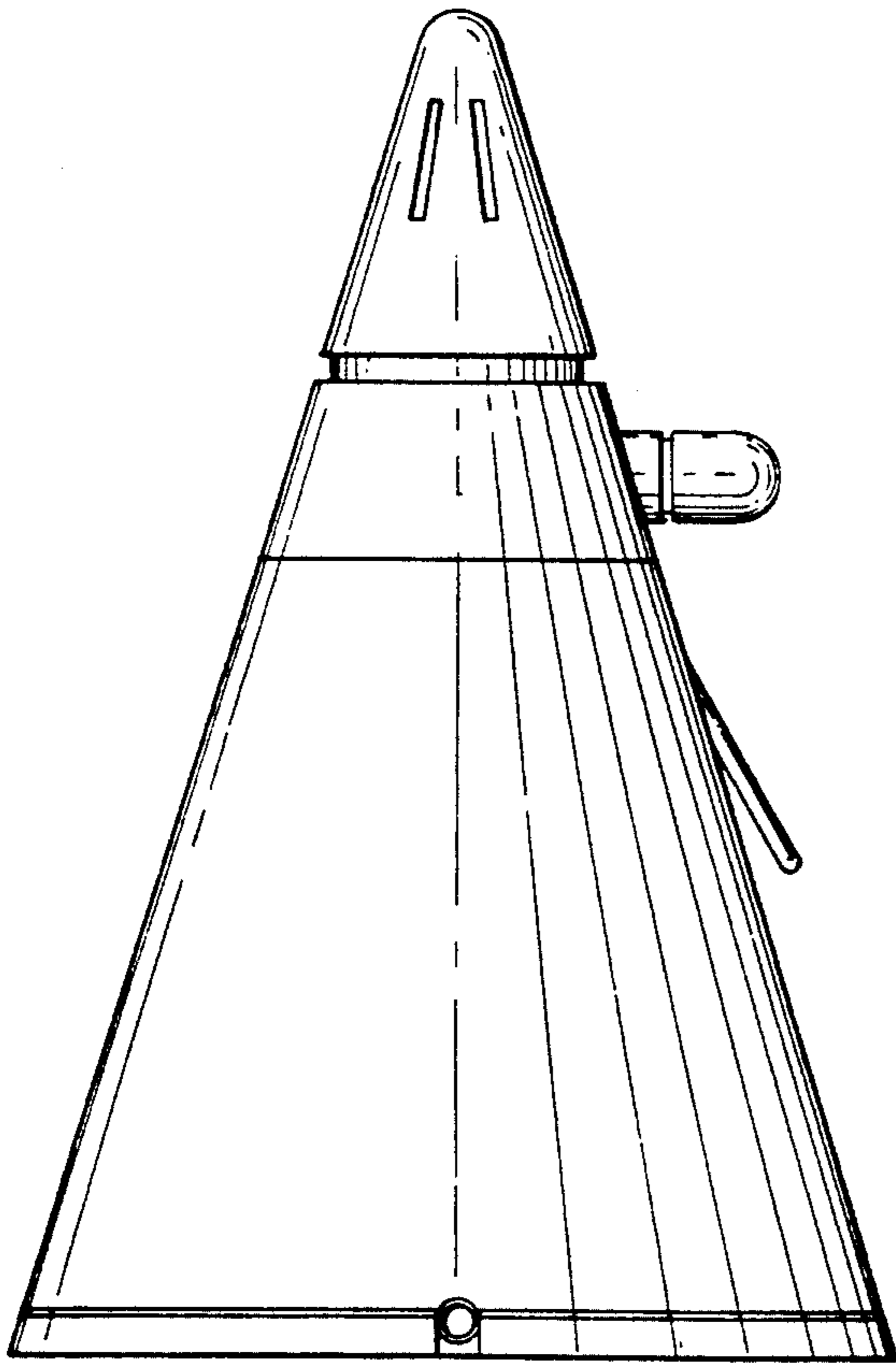


FIG. 5



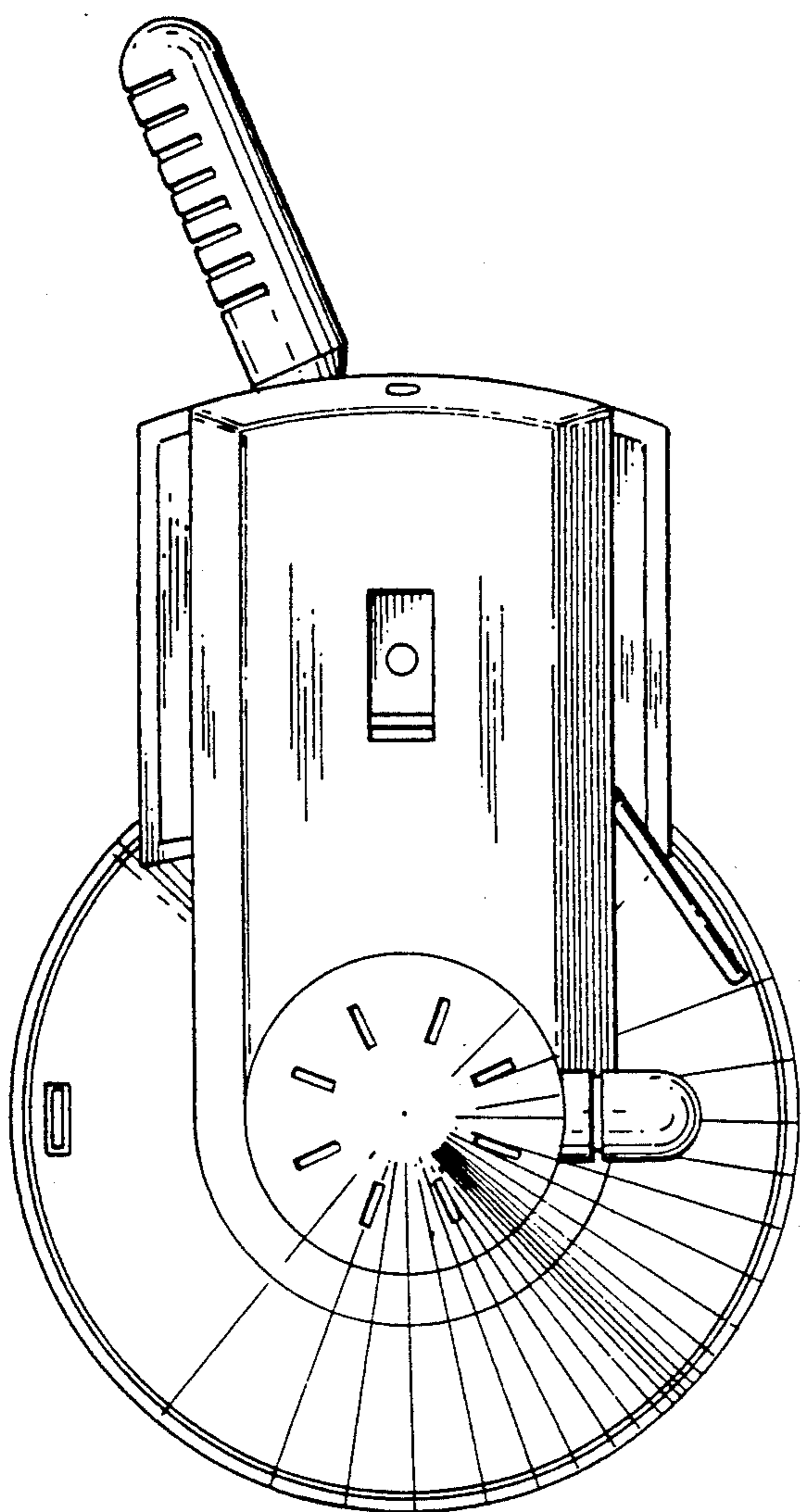


FIG. 6

FIG. 7

