



US00D335999S

United States Patent [19]

[11] Patent Number: **Des. 335,999**

Van Driessche

[45] Date of Patent: **** Jun. 1, 1993**

[54] **COMBINED MATERNITY AIR MATTRESS AND ABDOMEN SUPPORTING, PROGRESSIVELY DEFLATABLE CUSHION INSERT**

5,014,375 5/1991 Coonrad et al. 5/465
5,101,823 4/1992 Smith 5/419

[76] Inventor: **Marcella L. Van Driessche**, 2057 N. Avenida Placida #1, Simi Valley, Calif. 93063

Primary Examiner—Wallace R. Burke
Assistant Examiner—Lisa Lichtenstein
Attorney, Agent, or Firm—Koppel & Jacobs

[**] Term: **14 Years**

[57] **CLAIM**

[21] Appl. No.: **722,285**

The ornamental design for a combined maternity air mattress and abdomen supporting, progressively deflatable cushion insert, as shown and described.

[22] Filed: **Jun. 27, 1991**

DESCRIPTION

[52] U.S. Cl. **D6/604**

FIG. 1 is a top, left side and front perspective view of a combined maternity air mattress and abdomen supporting, progressively deflatable cushion insert, showing my new design;

[58] Field of Search 5/462, 930, 455, 449, 5/419; D6/604

FIG. 2 is a top plan view thereof;

[56] **References Cited**

U.S. PATENT DOCUMENTS

D. 310,313	9/1990	Afeyan	D6/604
D. 311,838	11/1990	Dillon	D6/596
3,146,469	9/1964	Slade	5/462
4,054,960	10/1977	Pettit et al.	5/455
4,536,906	8/1985	Varndell et al.	5/462
4,737,999	4/1988	Halverson	5/455

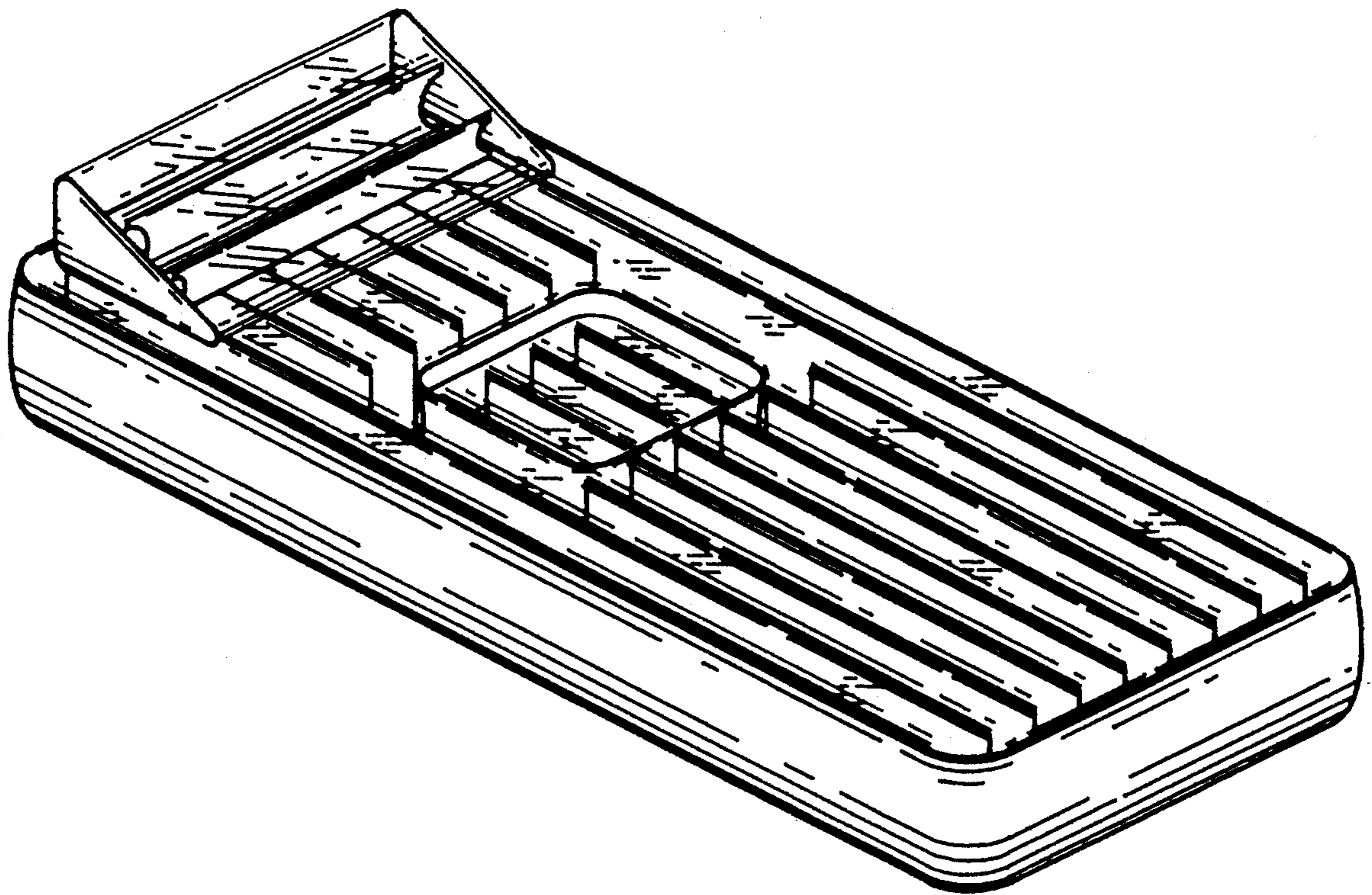
FIG. 3 is a bottom plan view thereof;

FIG. 4 is an enlarged rear elevational view thereof;

FIG. 5 is an enlarged front elevational view thereof;

FIG. 6 is an enlarged left side elevational view thereof, the right side being a mirror image of that shown; and,

FIG. 7 is an exploded top, left side and front perspective view thereof.



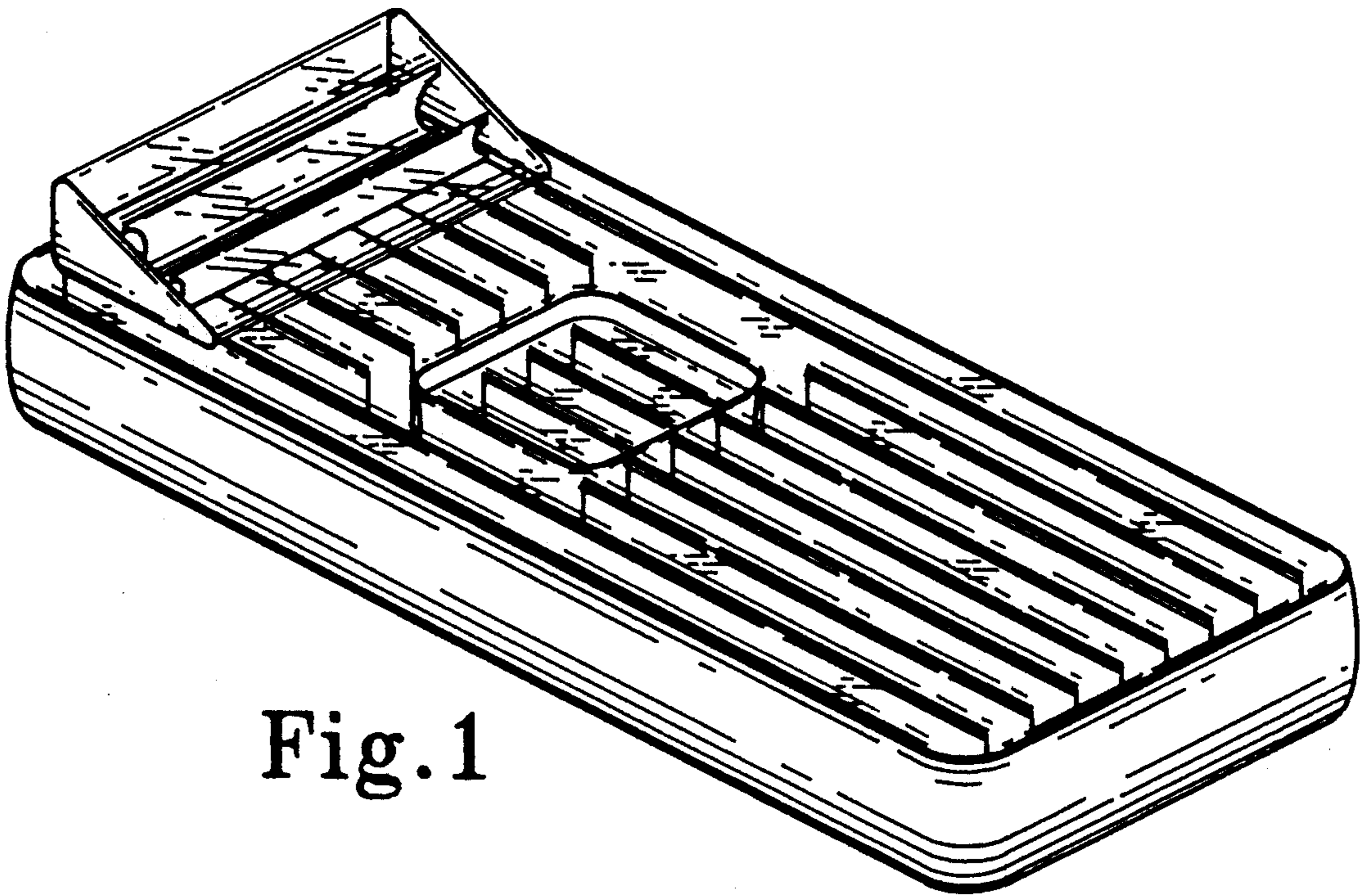


Fig. 1

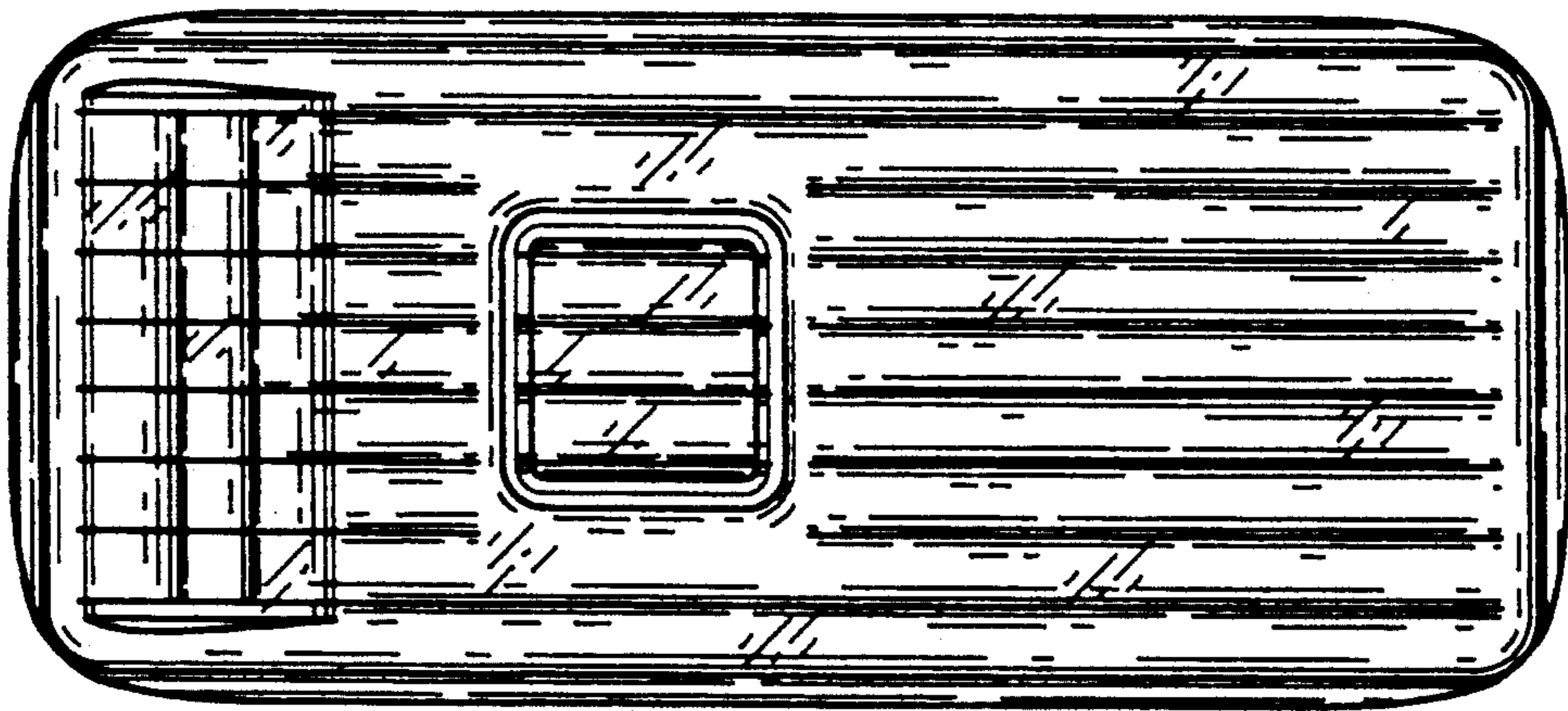


Fig. 2

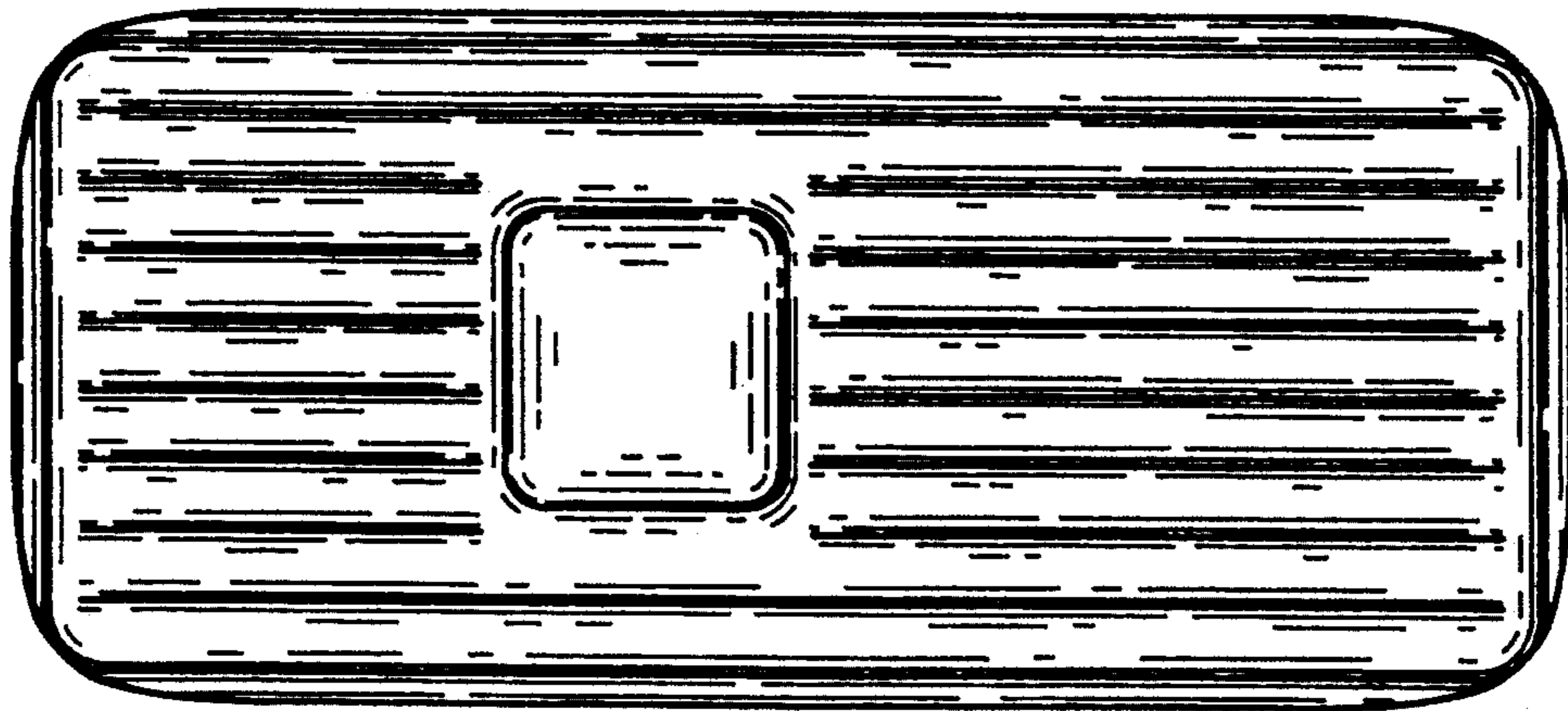


Fig. 3

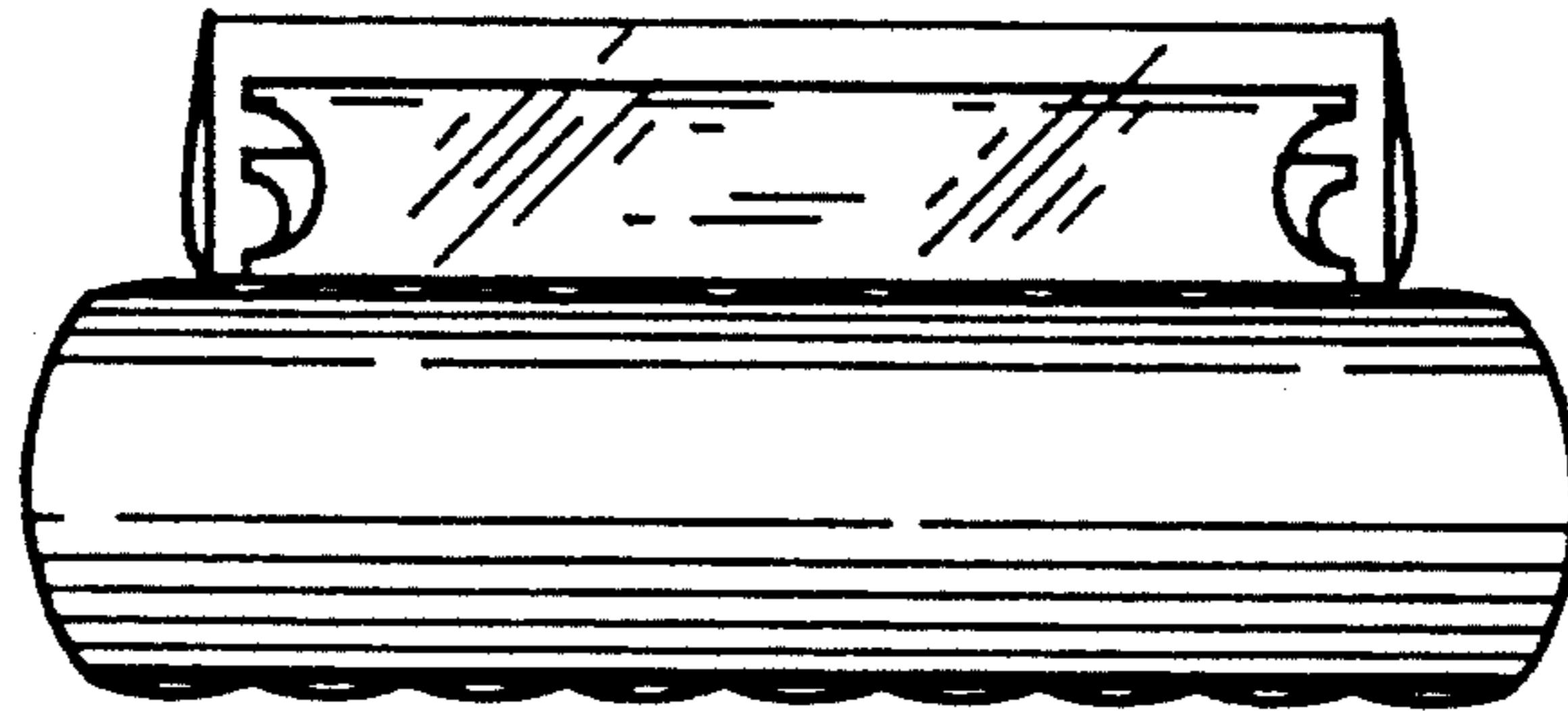


Fig. 4

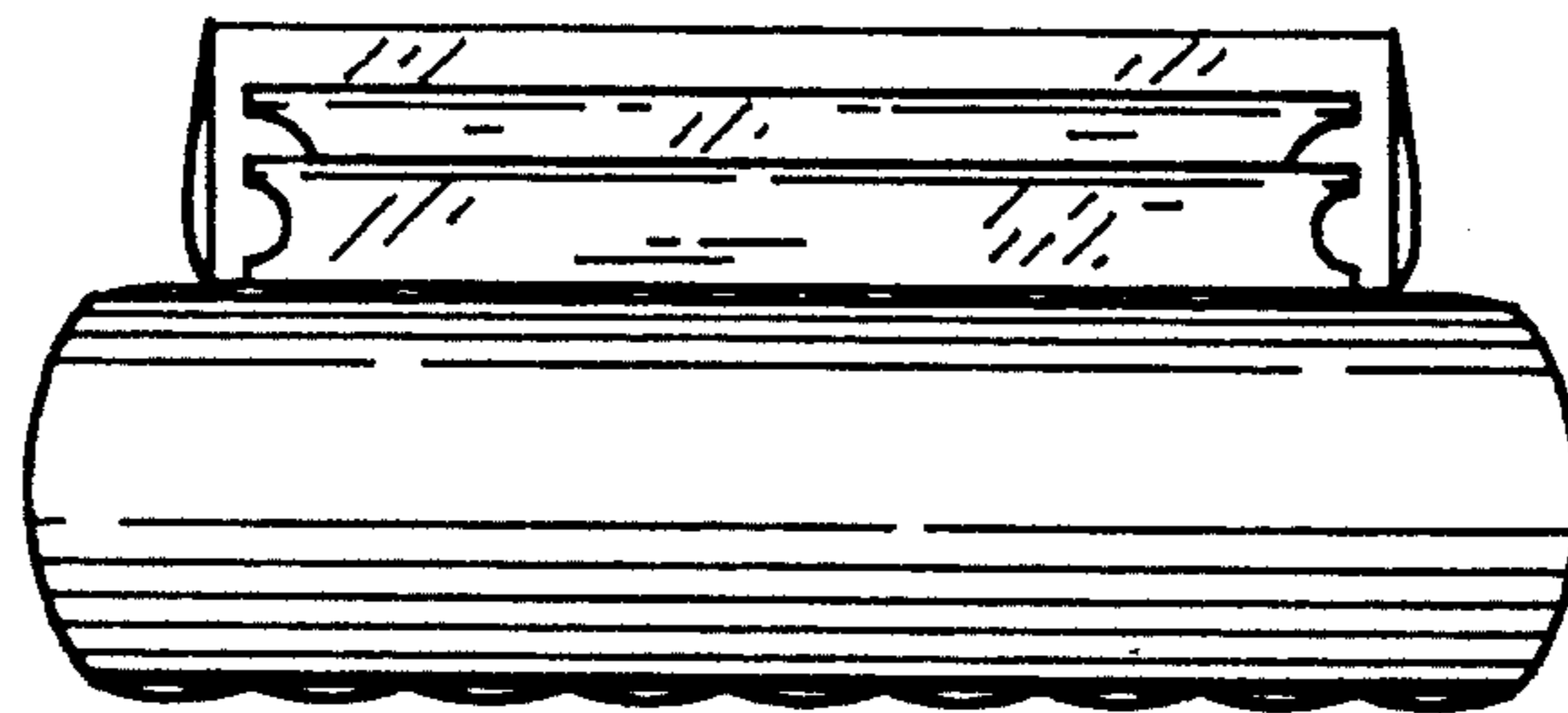


Fig. 5

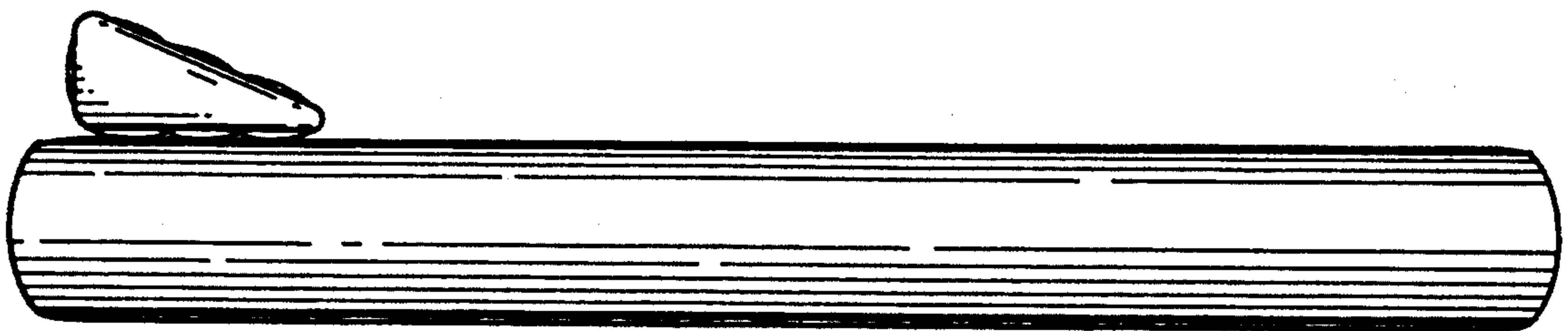


Fig. 6

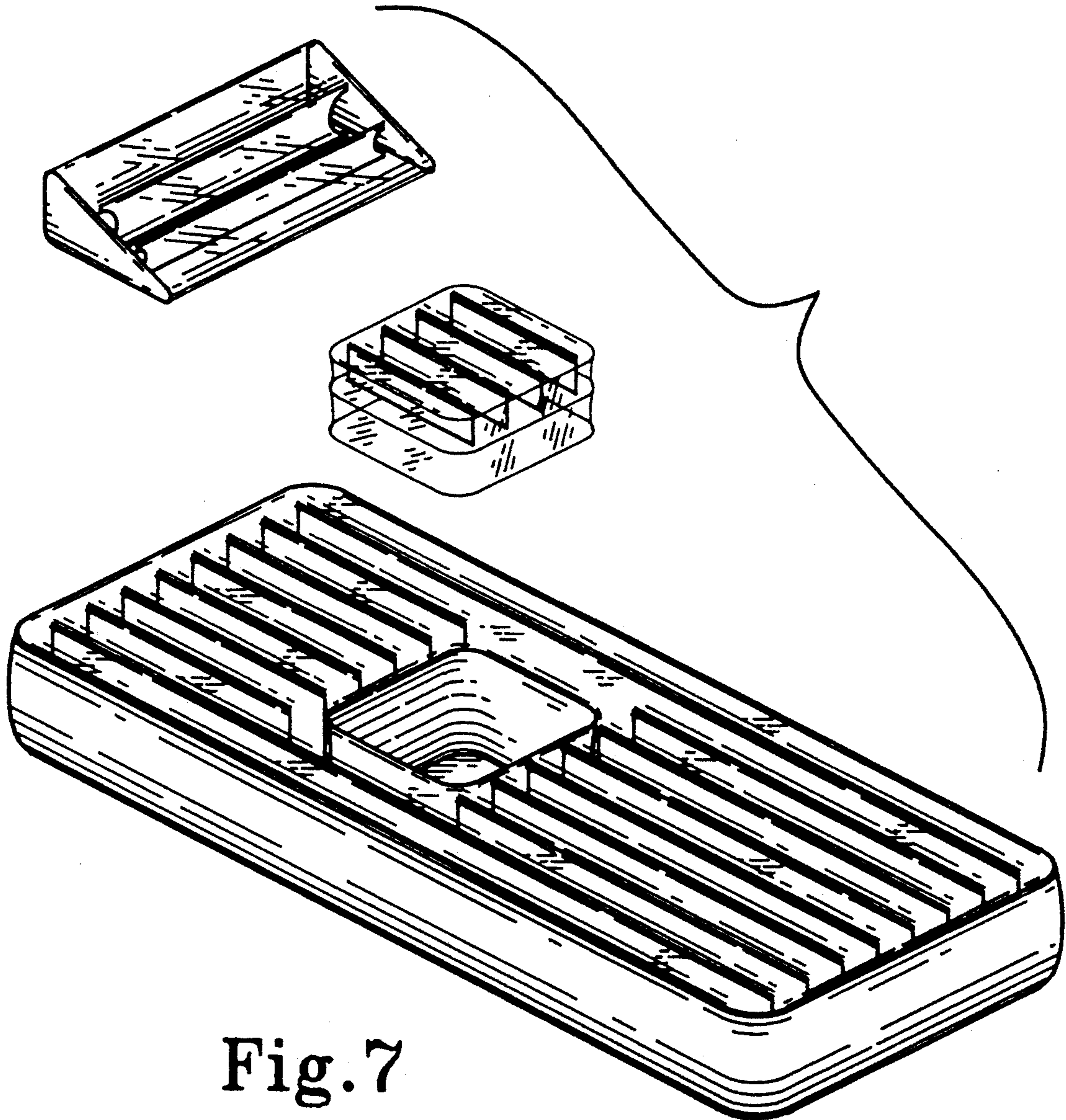


Fig.7