



US00D335993S

United States Patent [19]
McNeill

[11] **Patent Number: Des. 335,993**
[45] **Date of Patent: ** Jun. 1, 1993**

[54] **TOWEL HOLDER**

4,907,771 3/1990 Wang D6/546 X

[76] **Inventor: Robert S. McNeill, 401 Oxford Dr.,
Arcadia, Calif. 91007**

*Primary Examiner—Brian N. Vinson
Attorney, Agent, or Firm—Frederick Gotha*

[**] **Term: 14 Years**

[57] **CLAIM**

[21] **Appl. No.: 754,428**

The ornamental design for a towel holder, as shown and described.

[22] **Filed: Sep. 3, 1991**

[52] **U.S. Cl. D6/546**

[58] **Field of Search D6/546-550;
248/315, 309.1, 317; 211/113**

DESCRIPTION

[56] **References Cited**

U.S. PATENT DOCUMENTS

D. 274,027 5/1984 Thompson D6/546
D. 294,907 3/1988 Pool D6/546
4,637,582 1/1987 Boda 248/315

FIG. 1 is a top, front, and right side perspective view of a towel holder showing my new design;
FIG. 2 is a reduced top plan view thereof;
FIG. 3 is a reduced front elevational view thereof, the rear being identical in appearance;
FIG. 4 is a reduced side elevational view thereof, the opposite side being identical in appearance; and,
FIG. 5 is a reduced bottom plan view thereof.

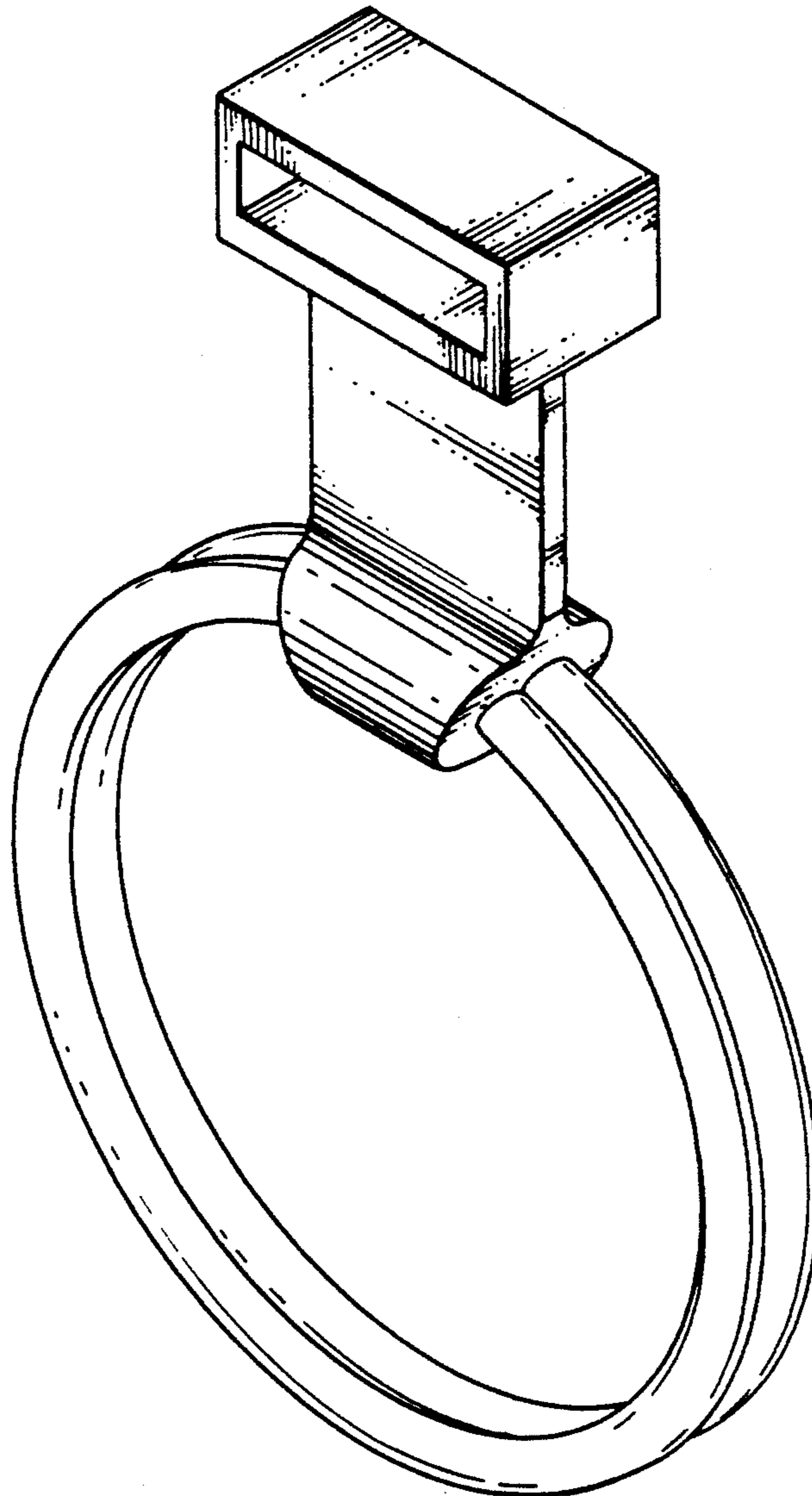


Fig. 1

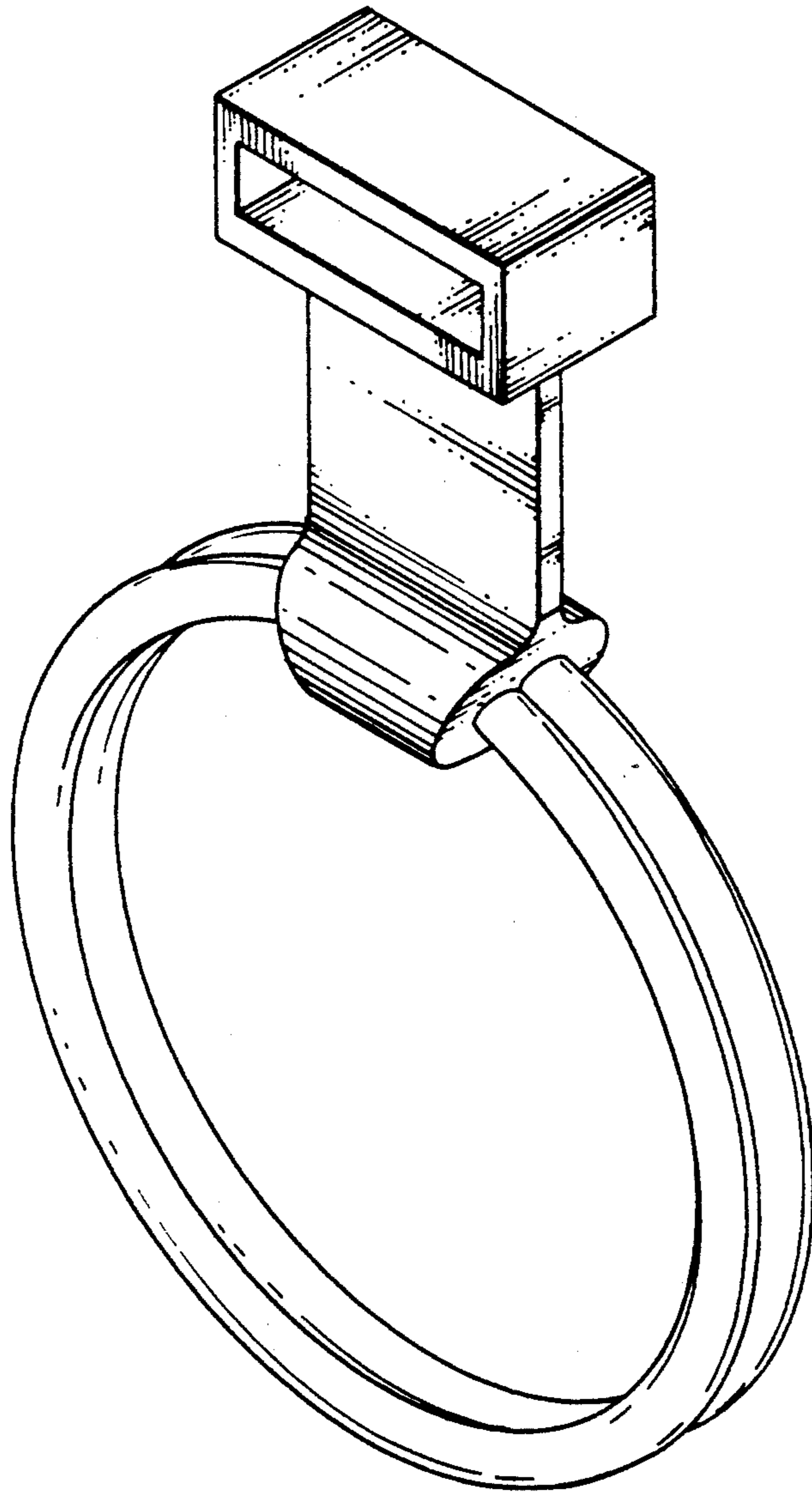


Fig. 2

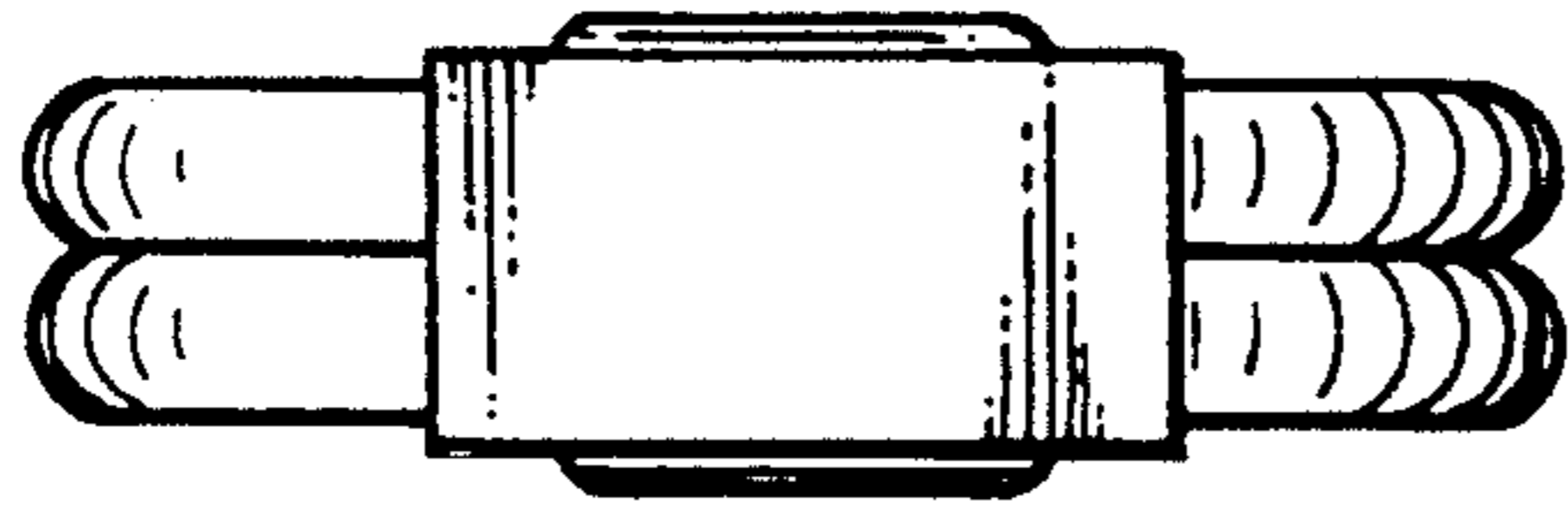


Fig. 3

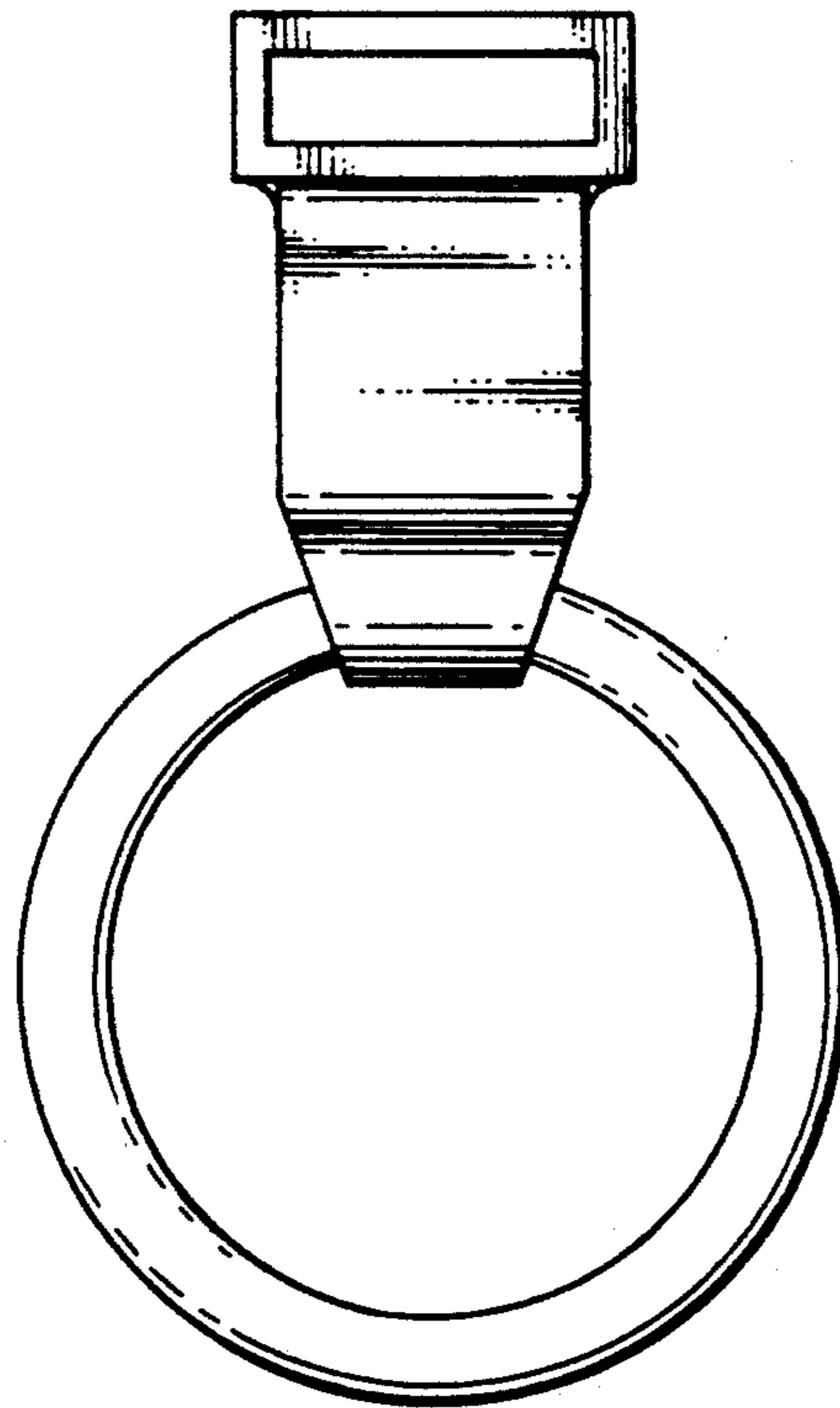


Fig. 4

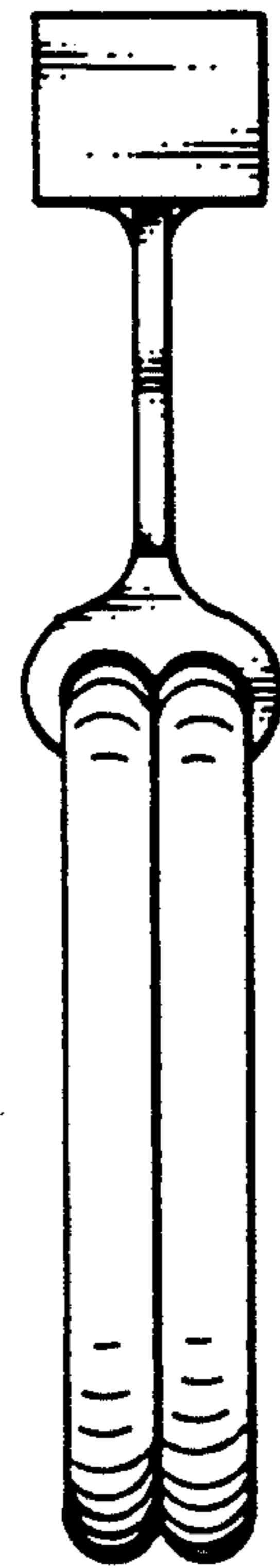


Fig. 5

