



US00D335992S

United States Patent [19]

[11] Patent Number: **Des. 335,992**

Planchon

[45] Date of Patent: **** Jun. 1, 1993**

[54] TUBE WINDING TOOL

[76] Inventor: **Paul O. Planchon**, 2580 Melody Lane, Reno, Nev.

[**] Term: **14 Years**

[21] Appl. No.: **781,948**

[22] Filed: **Oct. 24, 1991**

[52] U.S. Cl. **D6/541**

[58] Field of Search **D6/541; 222/99, 92, 222/104; 206/277**

[56] References Cited

U.S. PATENT DOCUMENTS

D. 206,857	2/1967	Dalton	D6/541
D. 303,892	10/1989	Parker	D6/541
D. 319,161	8/1991	Gianotti	D6/541
1,894,152	1/1933	Bolz	D6/541 X
2,656,065	10/1953	Breeze	D6/541 X

Primary Examiner—Brian N. Vinson

Attorney, Agent, or Firm—Herbert C. Schulze

[57] CLAIM

The ornamental design for a tube winding tool, as shown and described.

DESCRIPTION

FIG. 1 is a top, front, and right side perspective view of a tube winding tool showing my new design; FIG. 2 is an enlarged to plan view thereof; FIG. 3 is an enlarged front elevational view thereof; FIG. 4 is an enlarged right side elevational view thereof;

FIG. 5 is an enlarged left side elevational view thereof; FIG. 6 is an enlarged rear elevational view thereof; FIG. 7 is an enlarged bottom plan view thereof; and, FIG. 8 is an enlarged top, rear, and right side perspective view of an alternate embodiment thereof, the only difference residing in the closed end of the portion which engages the tube.

The broken-line disclosure of a portion of a tube is for illustrative purposes only and forms no part of the claimed design.

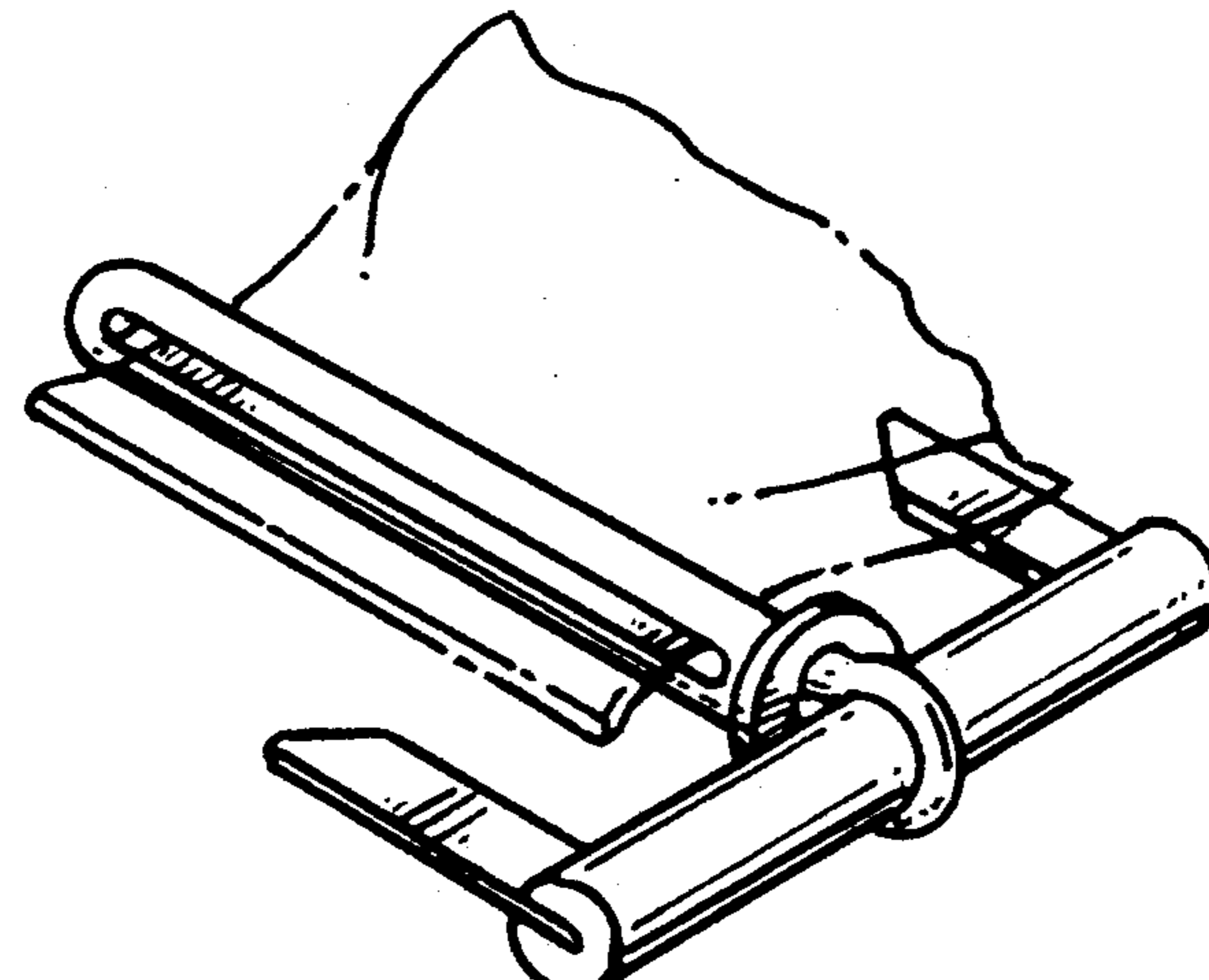
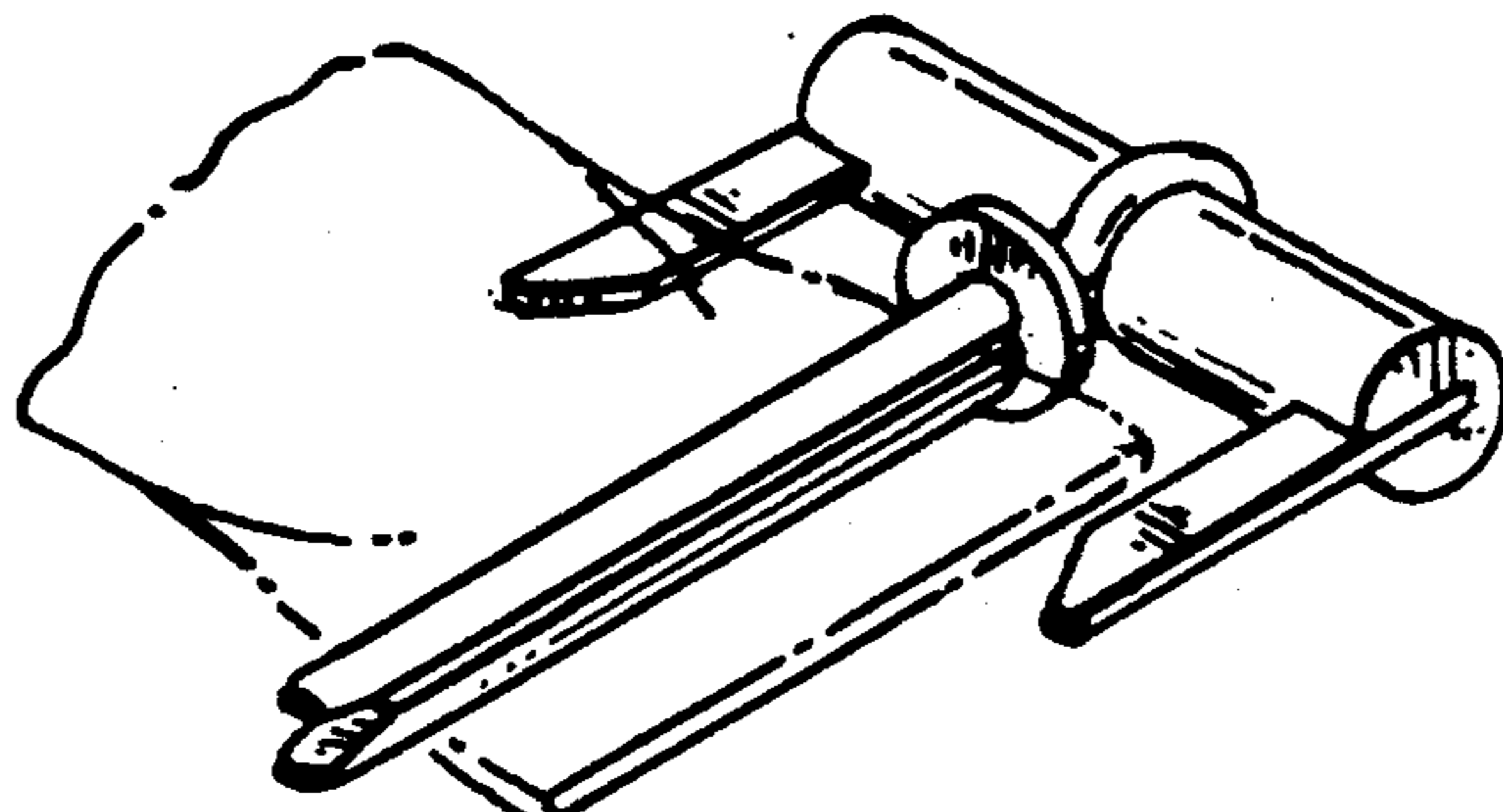


FIG. 1.

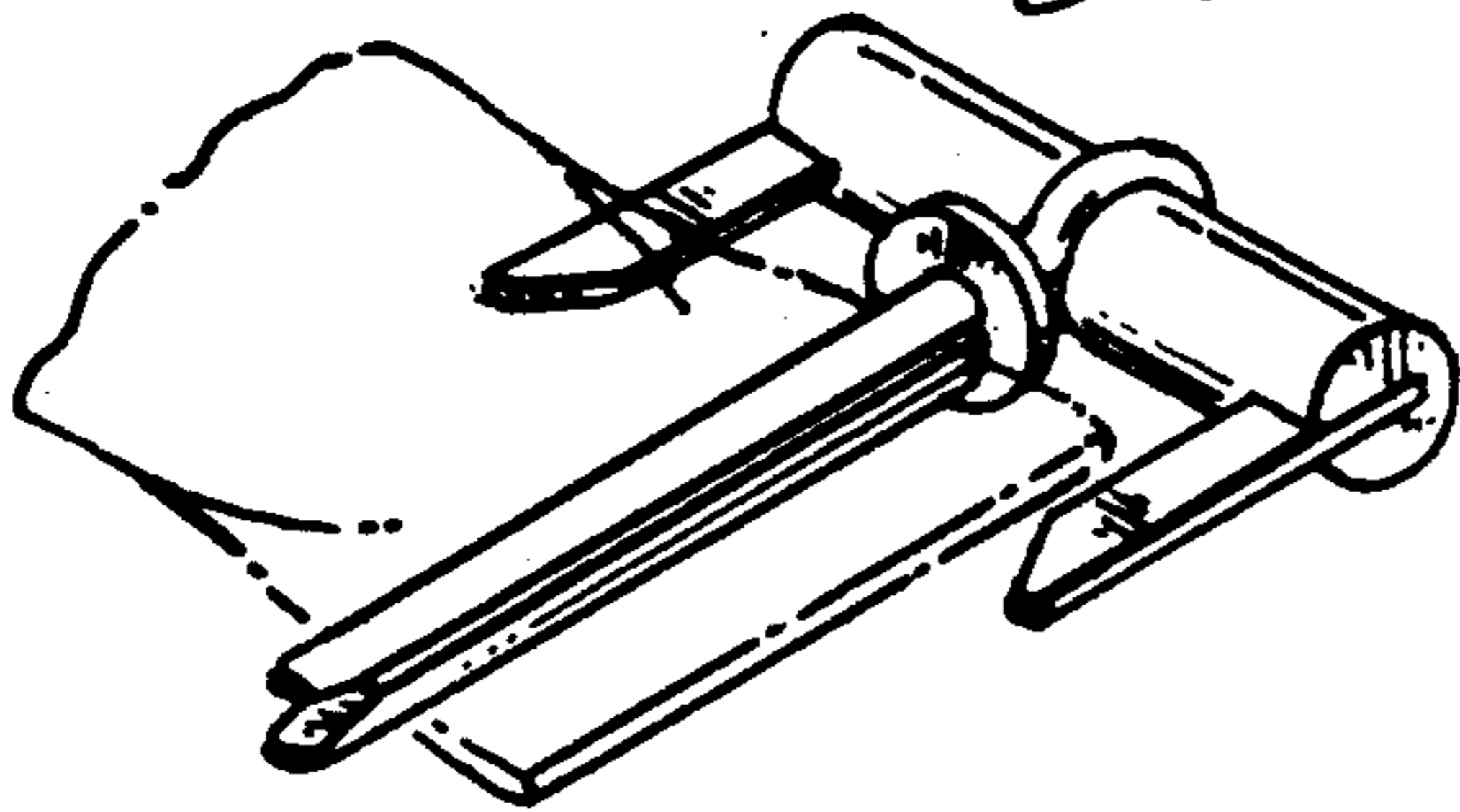


FIG. 2.

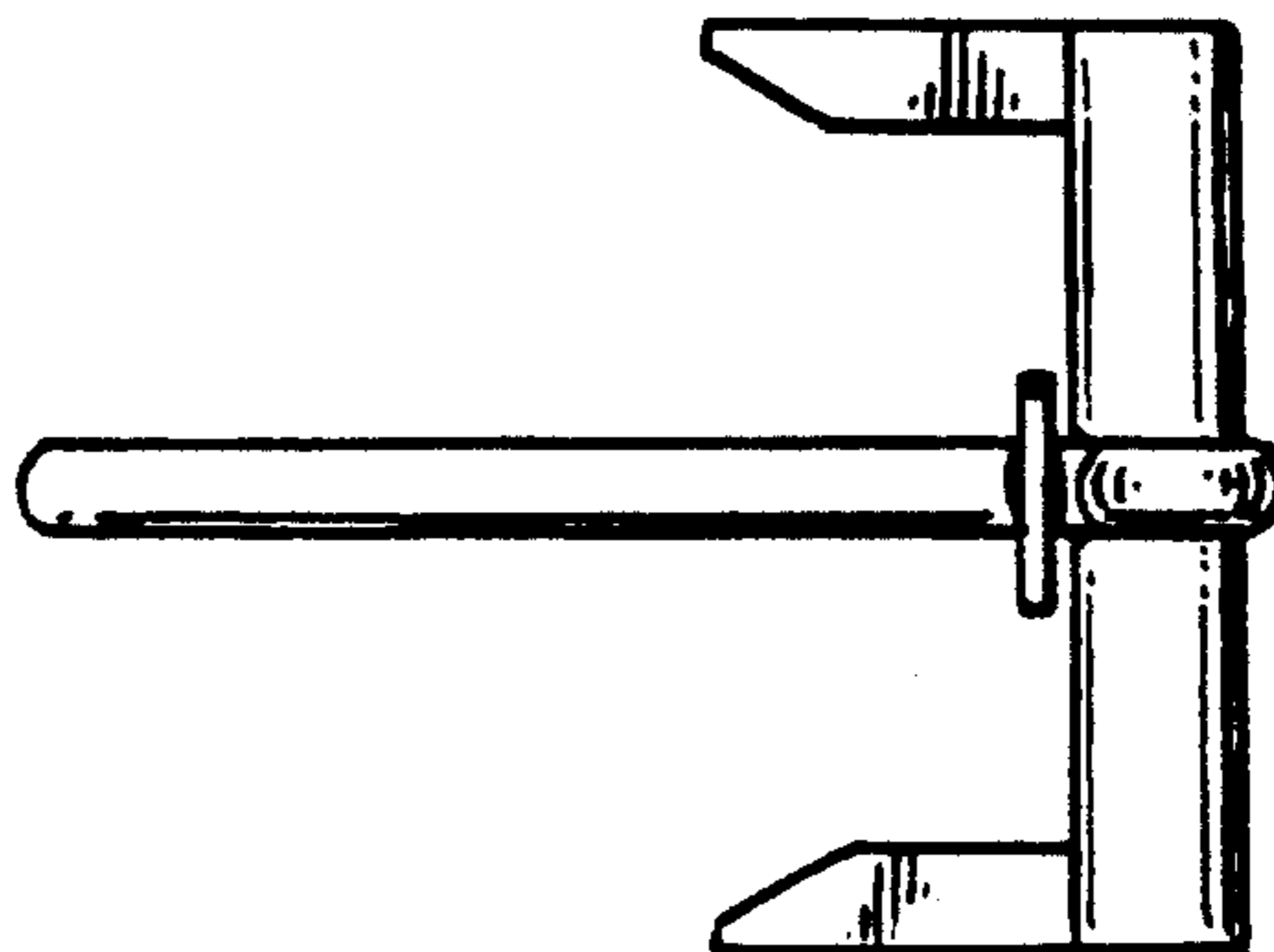


FIG. 3.



FIG. 4.

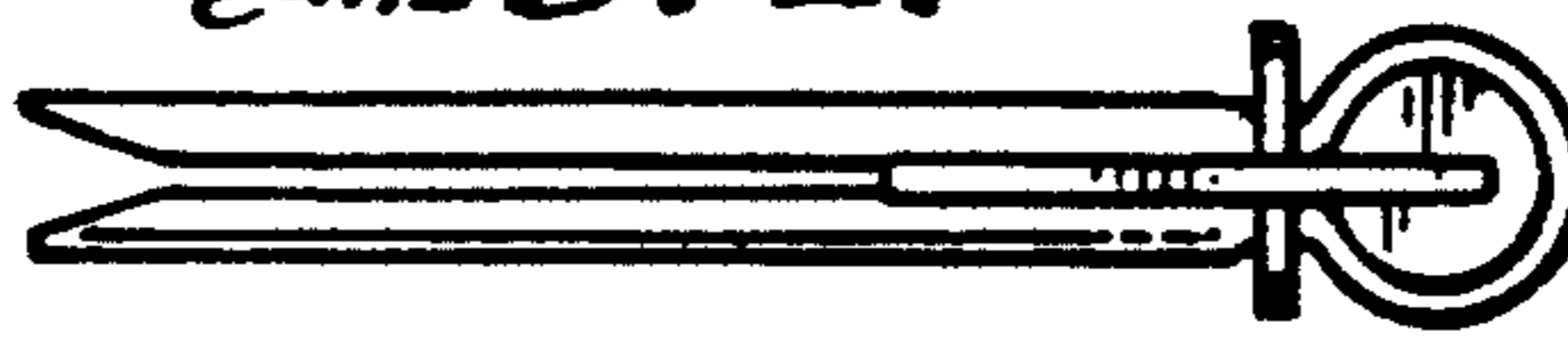


FIG. 6.

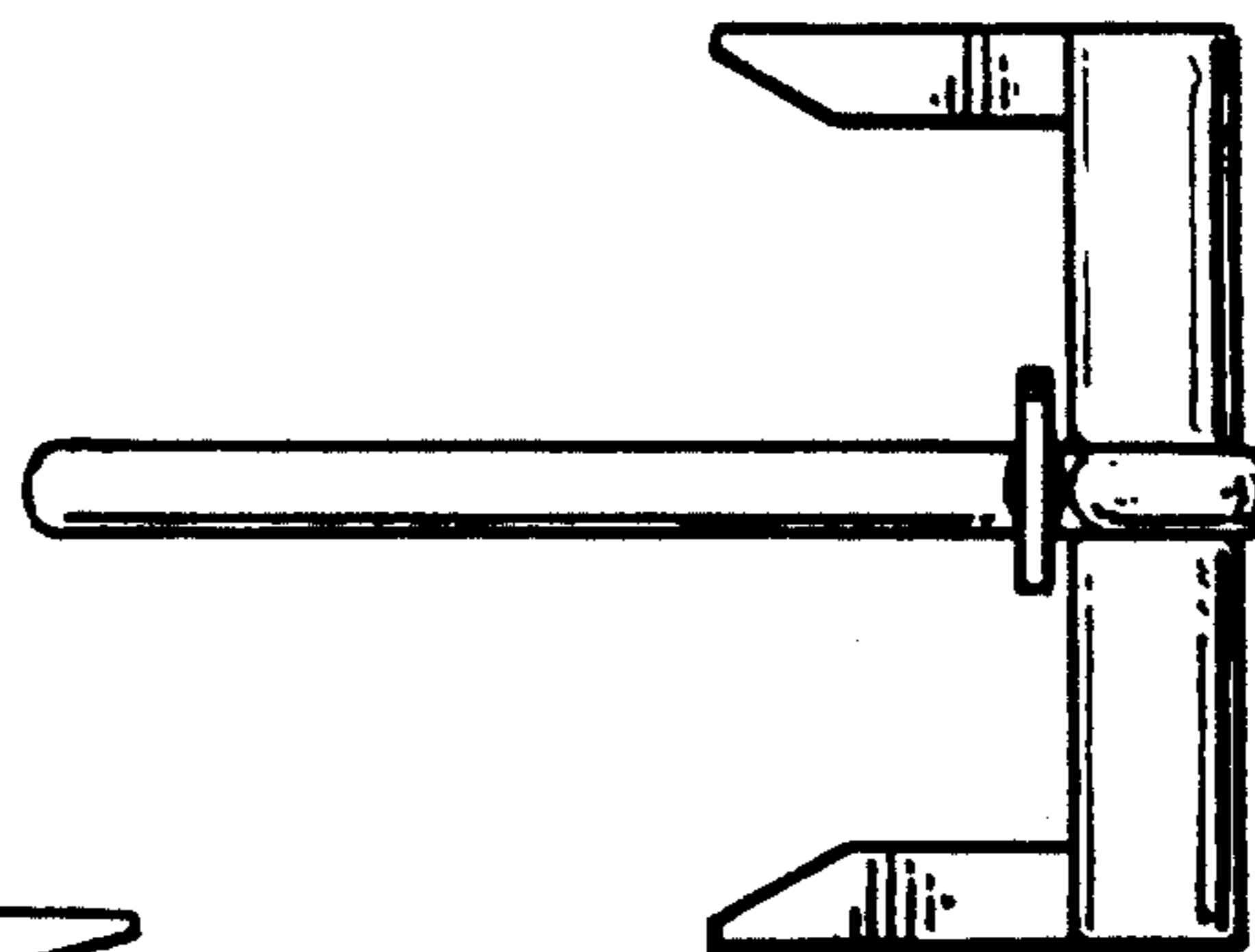


FIG. 5.

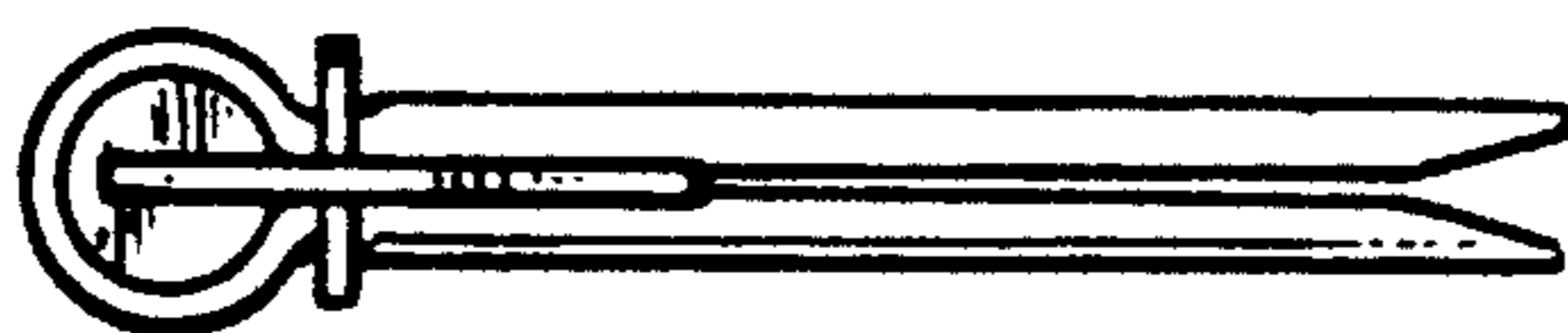


FIG. 7.

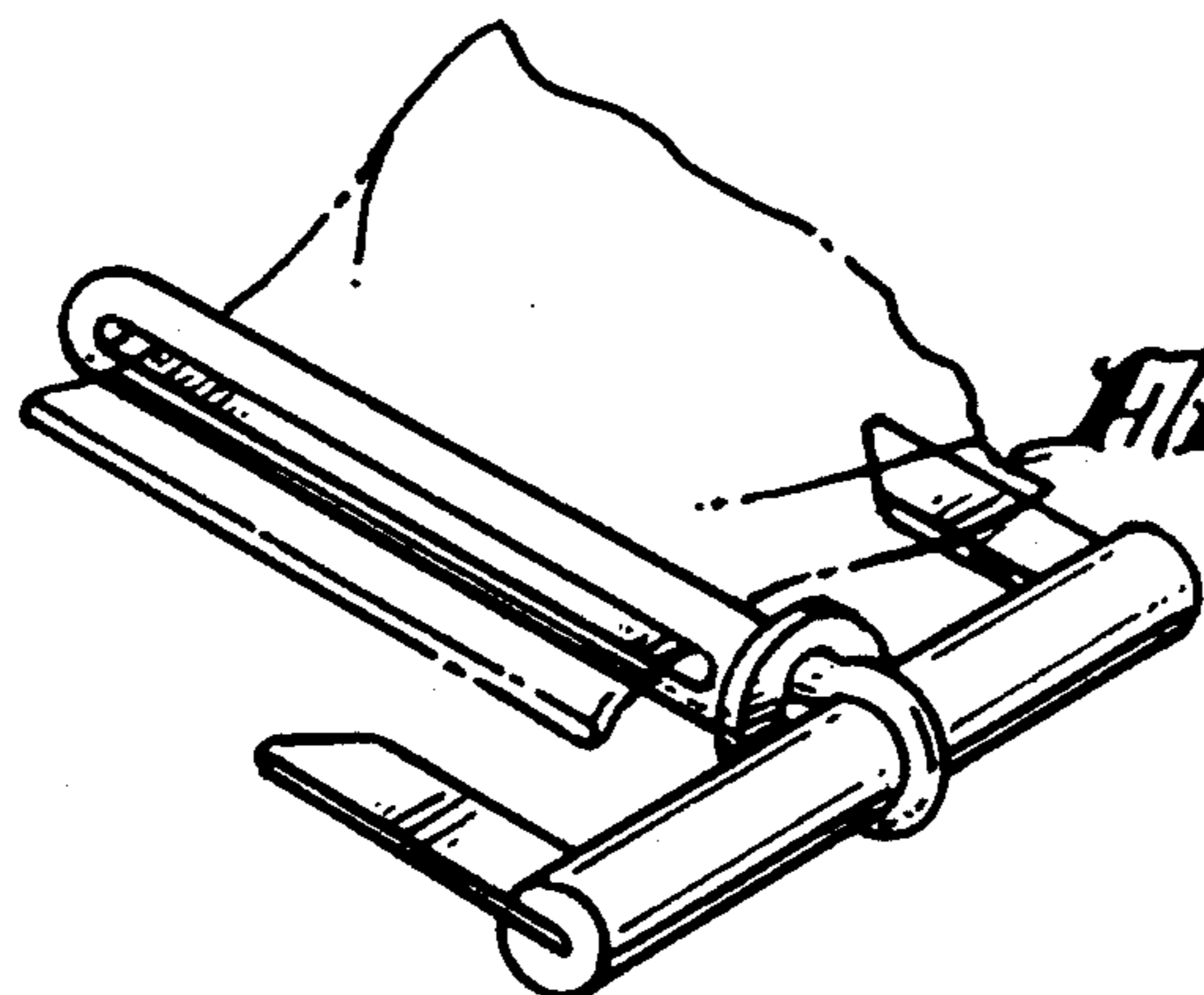


FIG. 8.