



US00D335990S

# United States Patent [19]

[11] Patent Number: **Des. 335,990**

Lizanetz et al.

[45] Date of Patent: **\*\* Jun. 1, 1993**

[54] **RAZOR HOLDER FOR A SHOWER OR BATH**

[76] Inventors: **Glen M. Lizanetz**, 3674 Mathias Ct., Verona, Wis. 53913-9574; **Geoffrey S. Fancher**, 4240 Beverly Rd., Madison, Wis. 53711

[\*\*] Term: **14 Years**

[21] Appl. No.: **738,935**

[22] Filed: **Jul. 31, 1991**

[52] U.S. Cl. .... **D6/526**

[58] Field of Search ..... **D6/512, 515, 517, 524-526, D6/553, 567; 206/208; 211/60.1, 70.6, 86-87, 90; 248/309.1, 312, 312.1, 314, 315**

[56] **References Cited**

### U.S. PATENT DOCUMENTS

- D. 67,209 5/1925 Kaufman .
- D. 206,426 12/1966 Wise ..... D6/526
- D. 212,368 10/1968 Bowman .
- D. 233,639 11/1974 Wooters .
- D. 260,462 9/1981 Melamed et al. .
- D. 272,969 3/1984 Sussman .

- D. 276,009 10/1984 Ousley ..... D6/525 X
- D. 292,256 10/1987 Chap ..... D6/525
- D. 301,101 5/1989 Meyer ..... D6/553 X
- D. 306,944 4/1990 Urena ..... D6/513
- D. 329,344 9/1992 Carillo ..... D6/515
- 1,331,682 2/1920 Smith ..... D6/553 X
- 2,474,899 7/1949 Hutt ..... 248/314
- 2,845,245 7/1958 Gray et al. .... 248/314
- 4,008,808 2/1977 Ramsay .

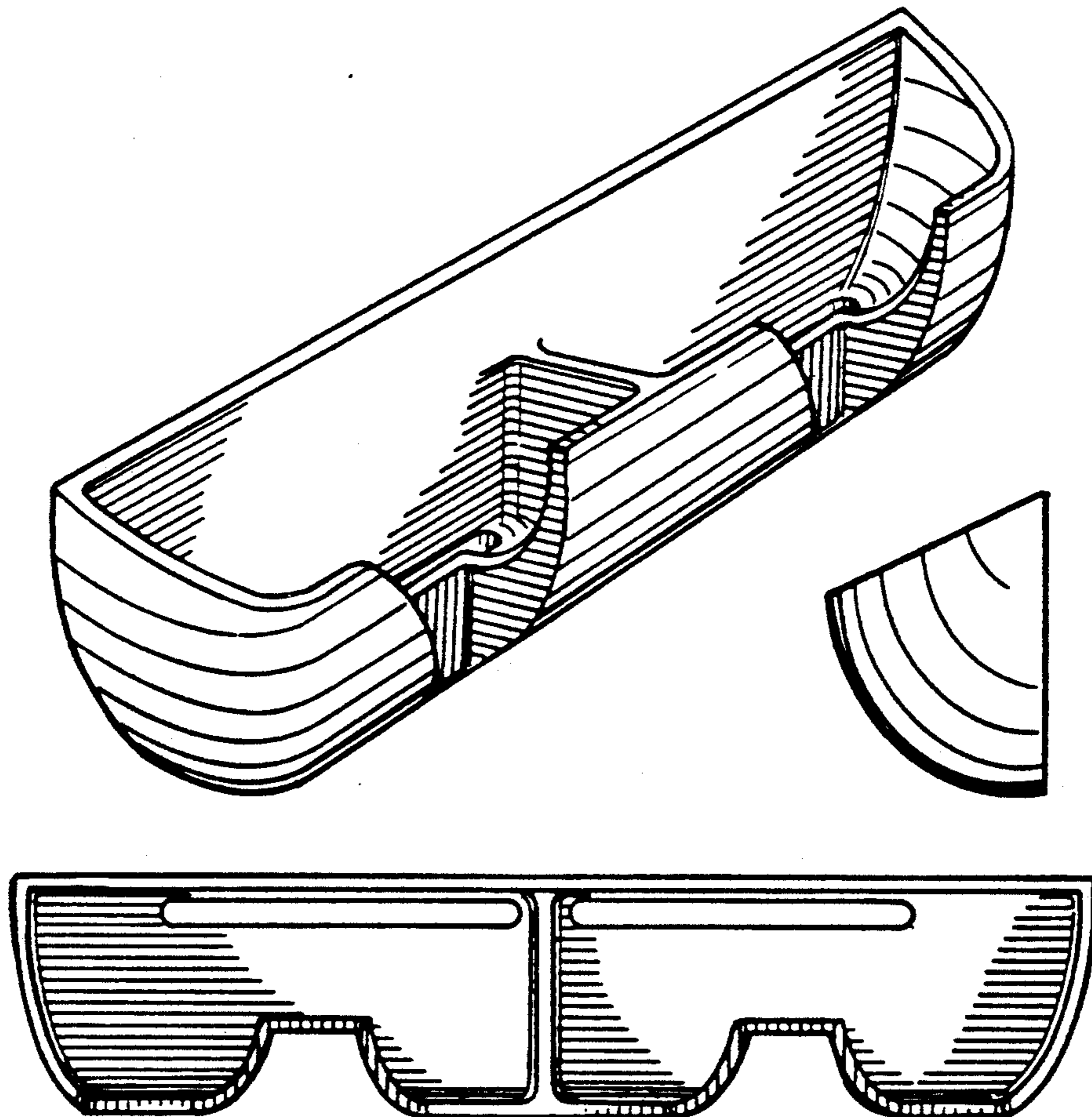
*Primary Examiner*—Brian N. Vinson  
*Attorney, Agent, or Firm*—Foley & Lardner

### [57] CLAIM

The ornamental design for a razor holder for a shower or bath, as shown and described.

### DESCRIPTION

FIG. 1 is a perspective view of a razor holder for a shower or bath, showing our new design; FIG. 2 is a front elevational view thereof; FIG. 3 is a right side elevational view thereof, the side opposite being a mirror image; FIG. 4 is a rear elevational view thereof; FIG. 5 is a top plan view thereof; and, FIG. 6 is a bottom view thereof.



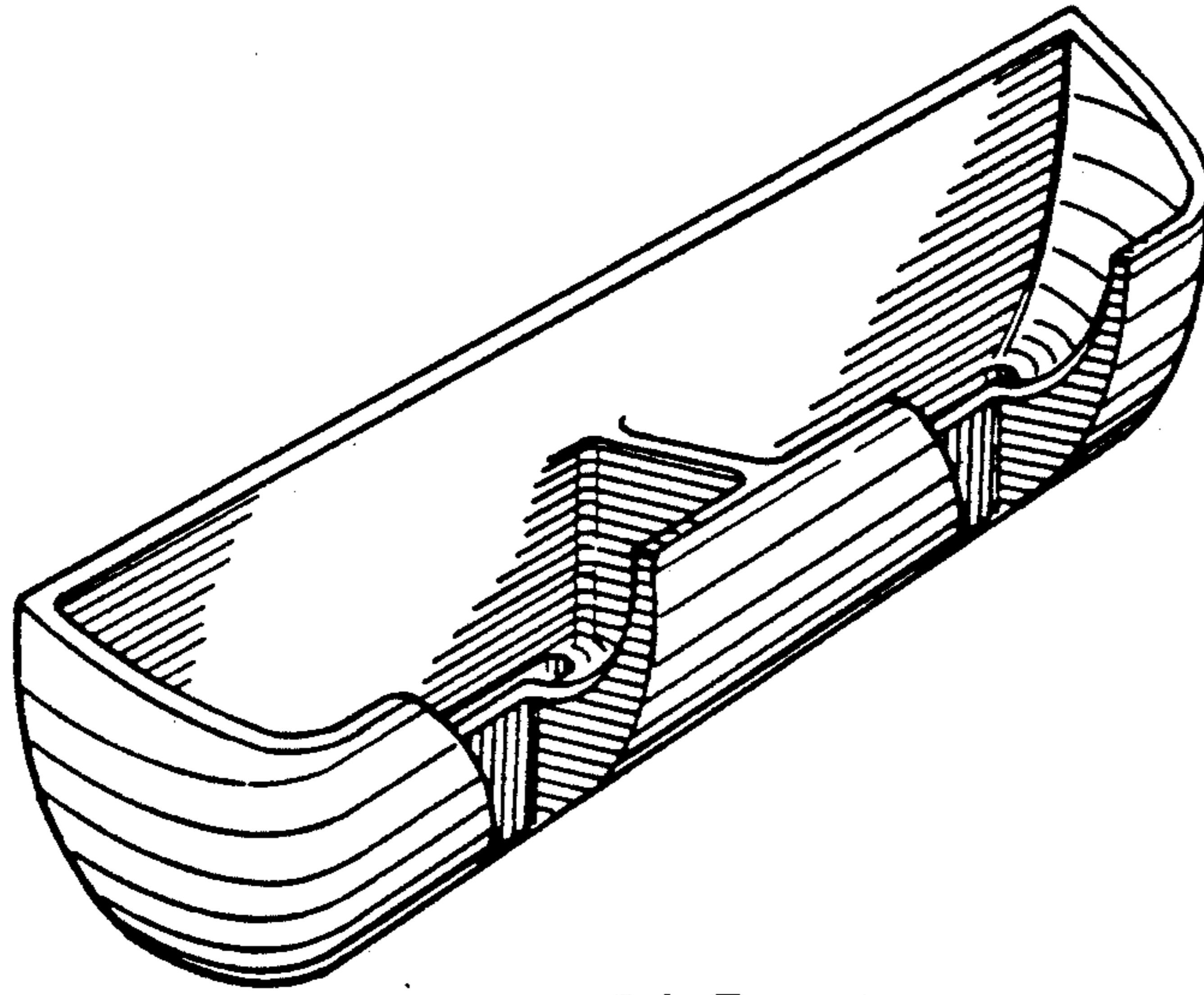


FIG. 1

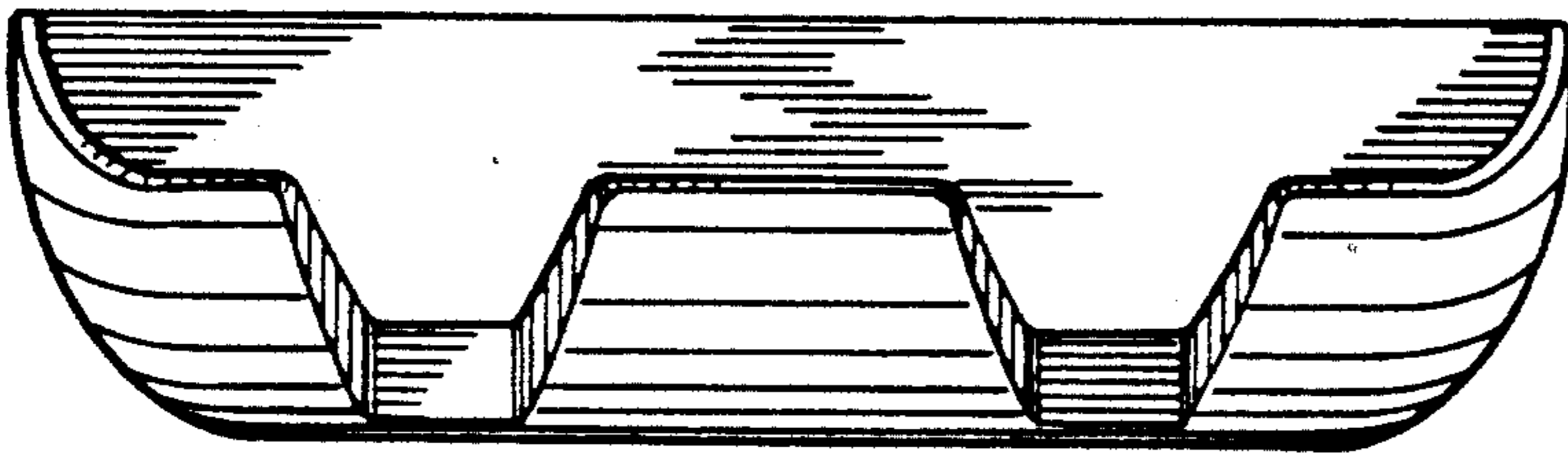


FIG. 2

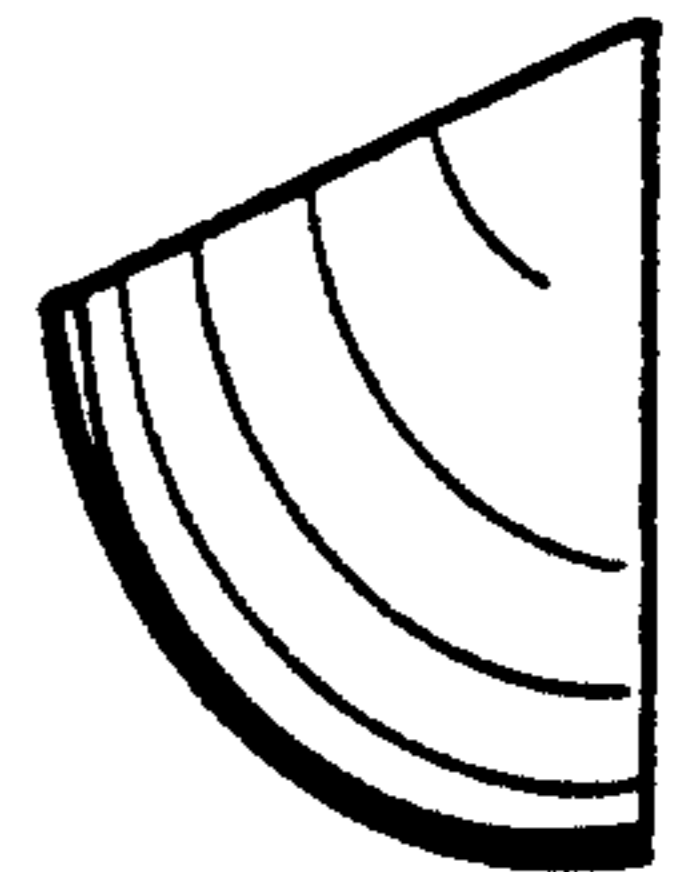


FIG. 3

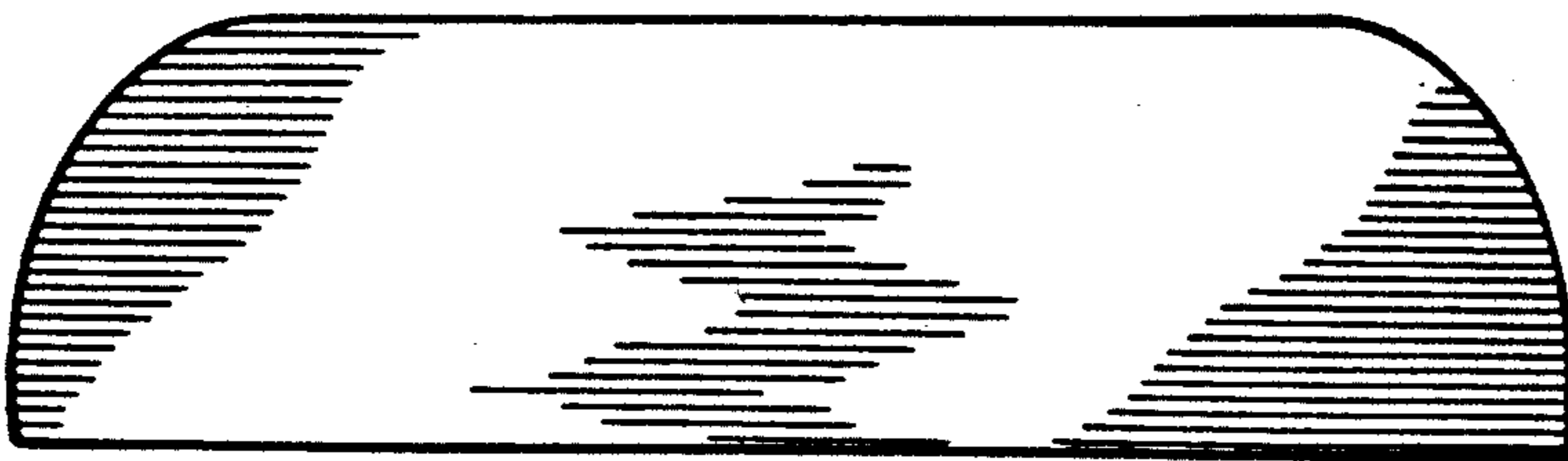


FIG. 4

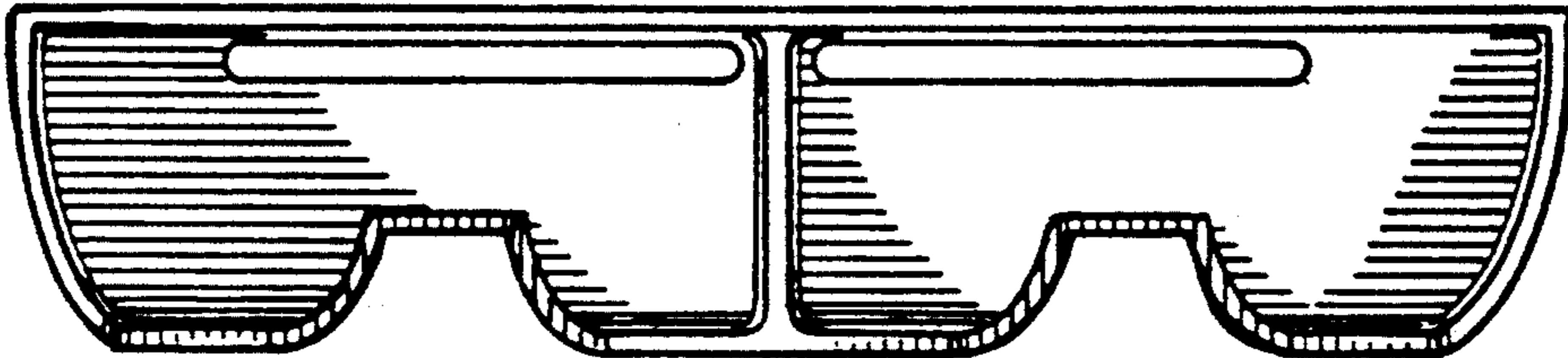


FIG. 5

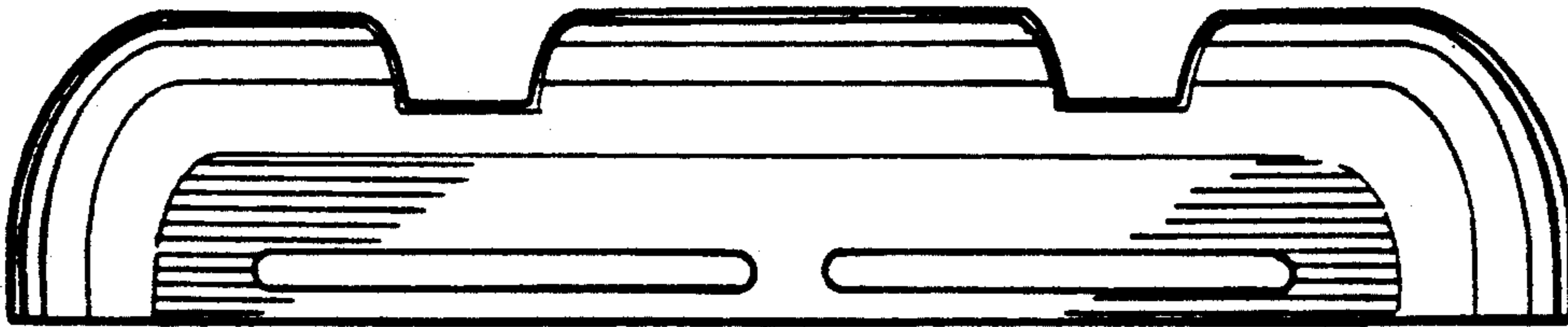


FIG. 6