



US00D335988S

# United States Patent [19]

[11] Patent Number: **Des. 335,988**

Jones

[45] Date of Patent: **\*\* Jun. 1, 1993**

[54] **TISSUE BOX COVER**

D. 328,992 9/1992 Hollinger ..... D6/518  
2,678,184 5/1954 Erdody .

[76] Inventor: **Denise M. Jones**, P.O. Box 158,  
Tonopah, Ariz. 85354

*Primary Examiner*—Brian N. Vinson  
*Attorney, Agent, or Firm*—Terry M. Gernstein

[\*\*] Term: **14 Years**

[57] **CLAIM**

[21] Appl. No.: **754,720**

The ornamental design for a tissue box cover, as shown and described.

[22] Filed: **Sep. 4, 1991**

[52] U.S. Cl. .... **D6/518**

**DESCRIPTION**

[58] Field of Search ..... **D6/518-523;**  
206/233; 211/49.1, 50; 221/33, 45, 282; 312/37

FIG. 1 is a perspective view of the tissue box cover embodying the design of the present invention; FIG. 2 is a front elevational view thereof, the rear being a mirror image of the front shown in FIG. 2; FIG. 3 is an end elevational view thereof, the end opposite being a mirror image of the end shown in FIG. 3; FIG. 4 is a top plan view thereof; and, FIG. 5 is a bottom view thereof.

[56] **References Cited**

**U.S. PATENT DOCUMENTS**

- D. 159,248 7/1950 Brown ..... D6/518
- D. 292,859 11/1987 Neumann .
- D. 293,182 12/1987 Carter .

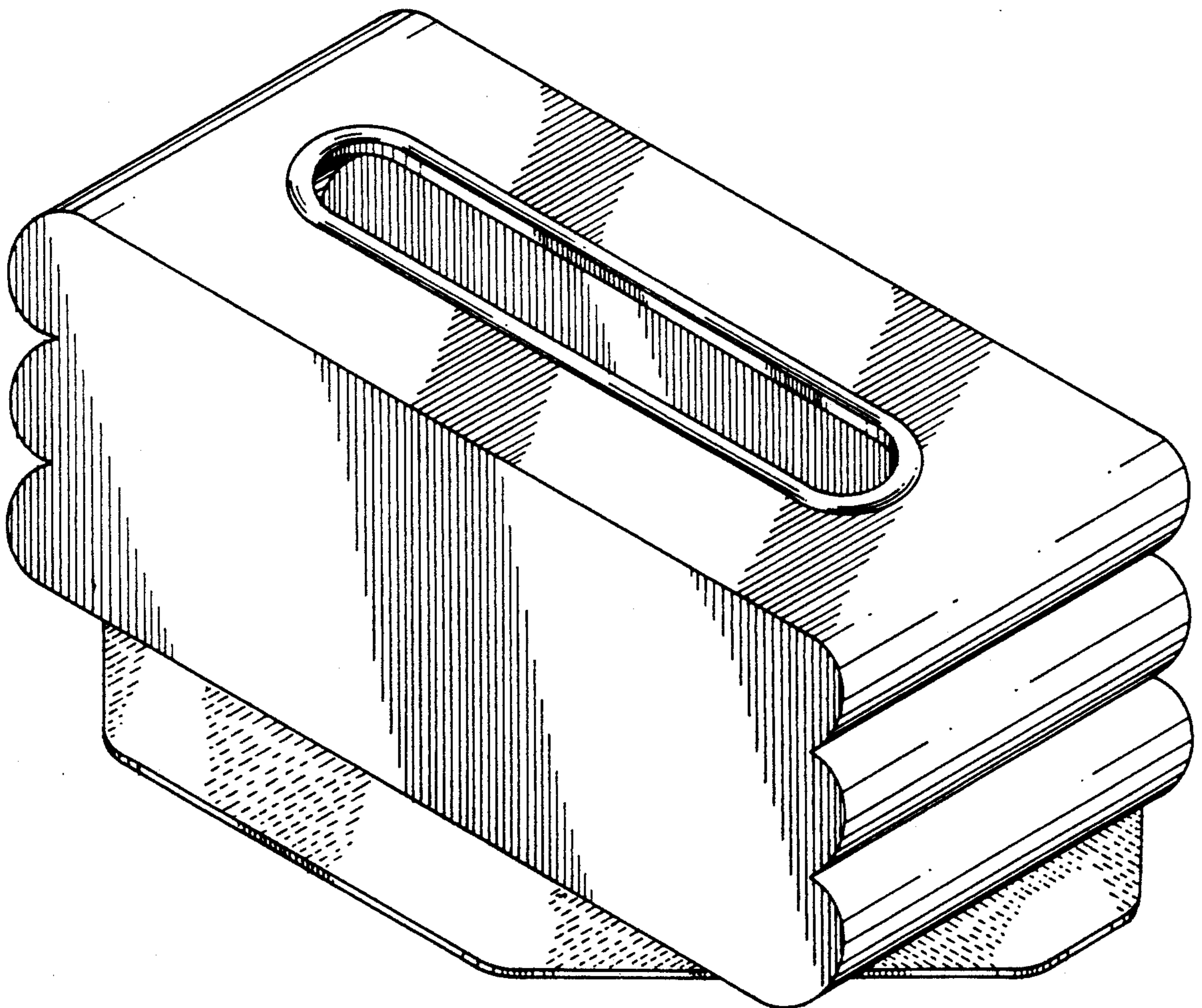


FIG. 1.

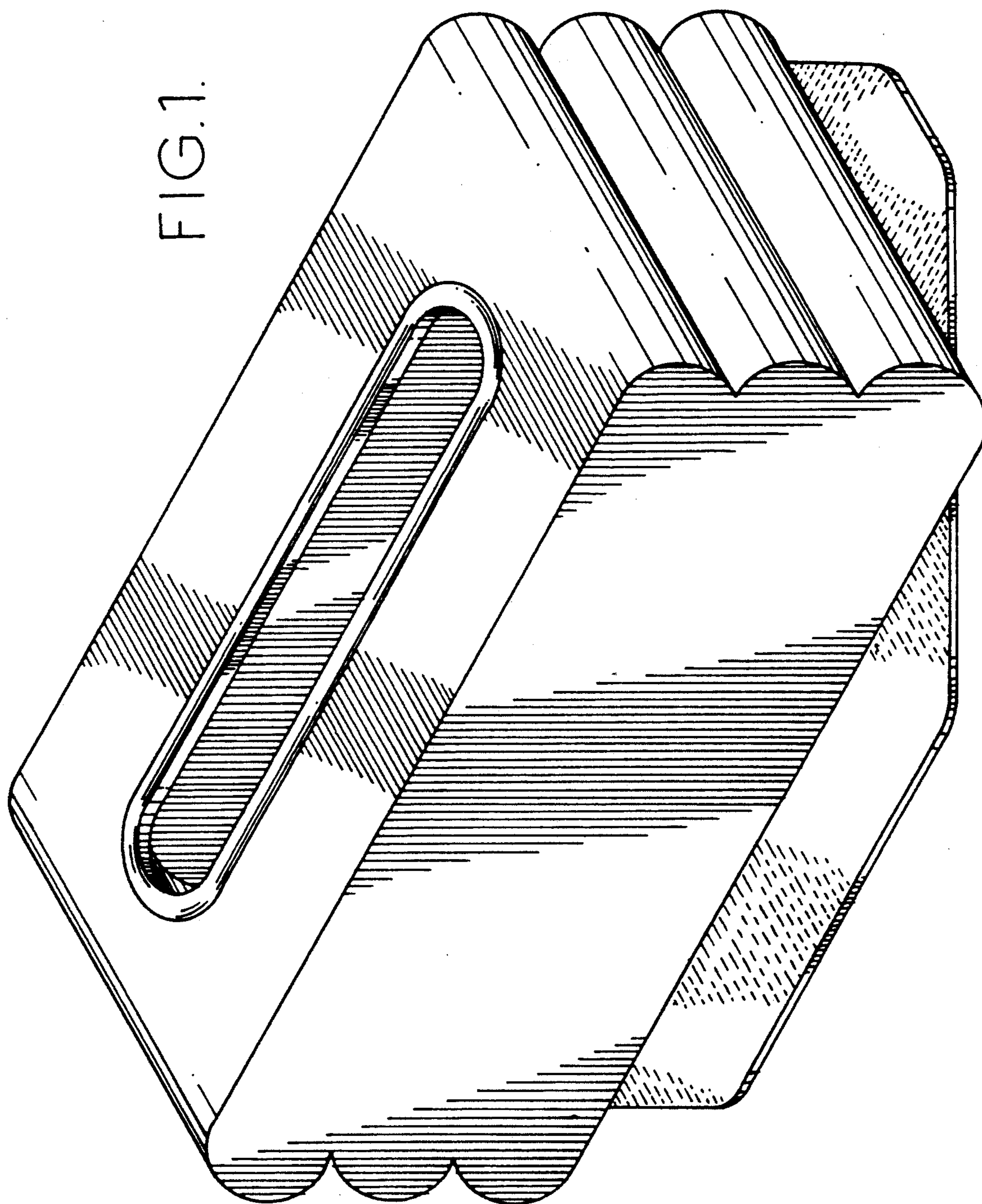


FIG. 2.

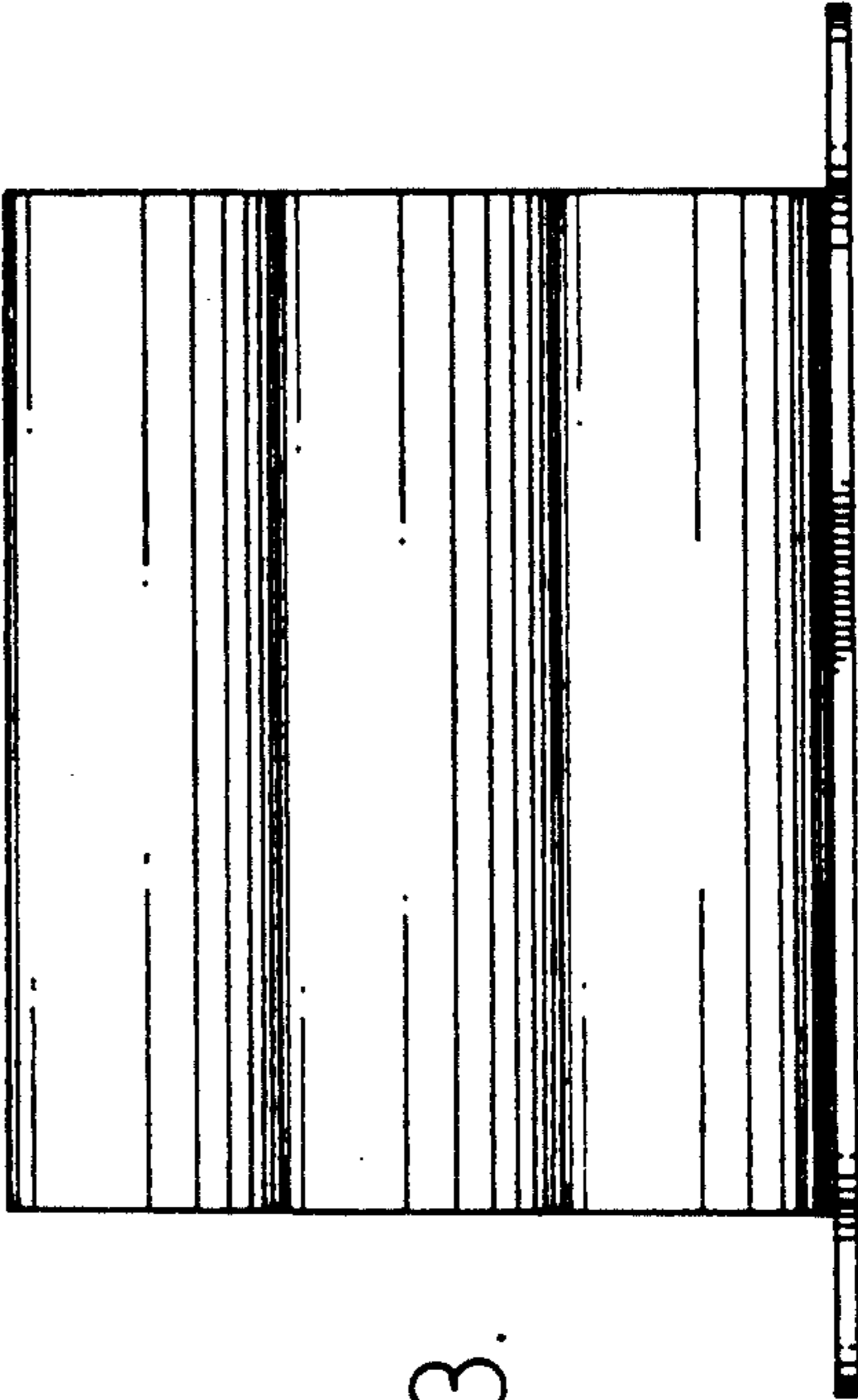
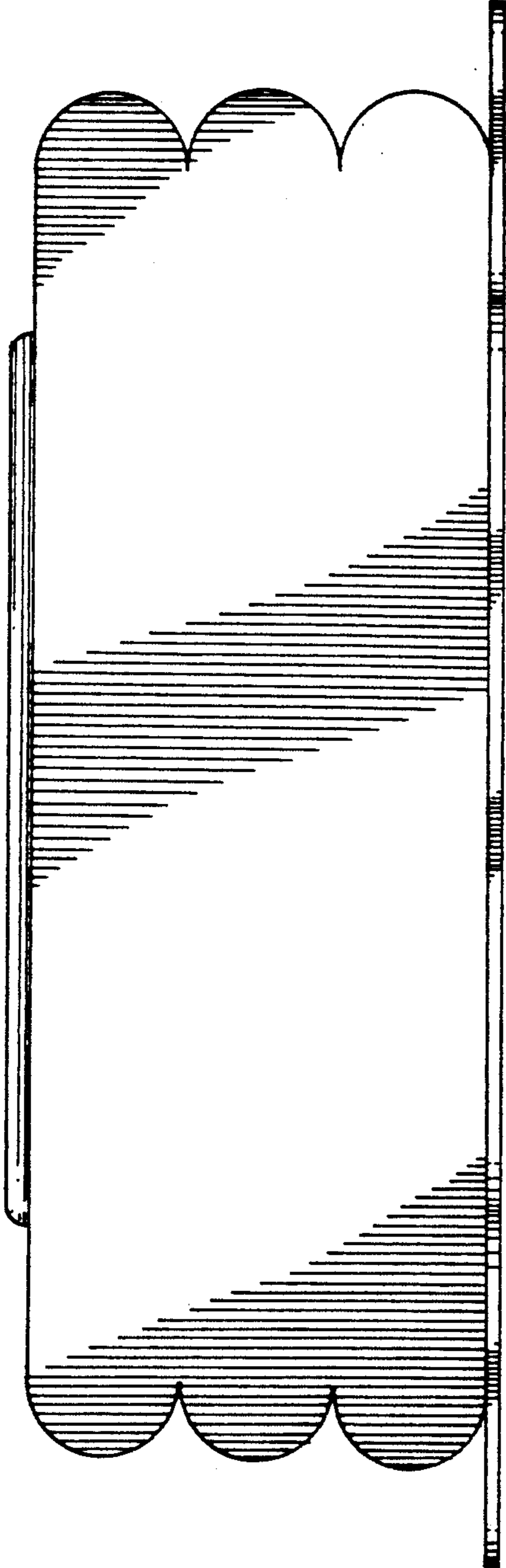


FIG. 3.

FIG. 4.

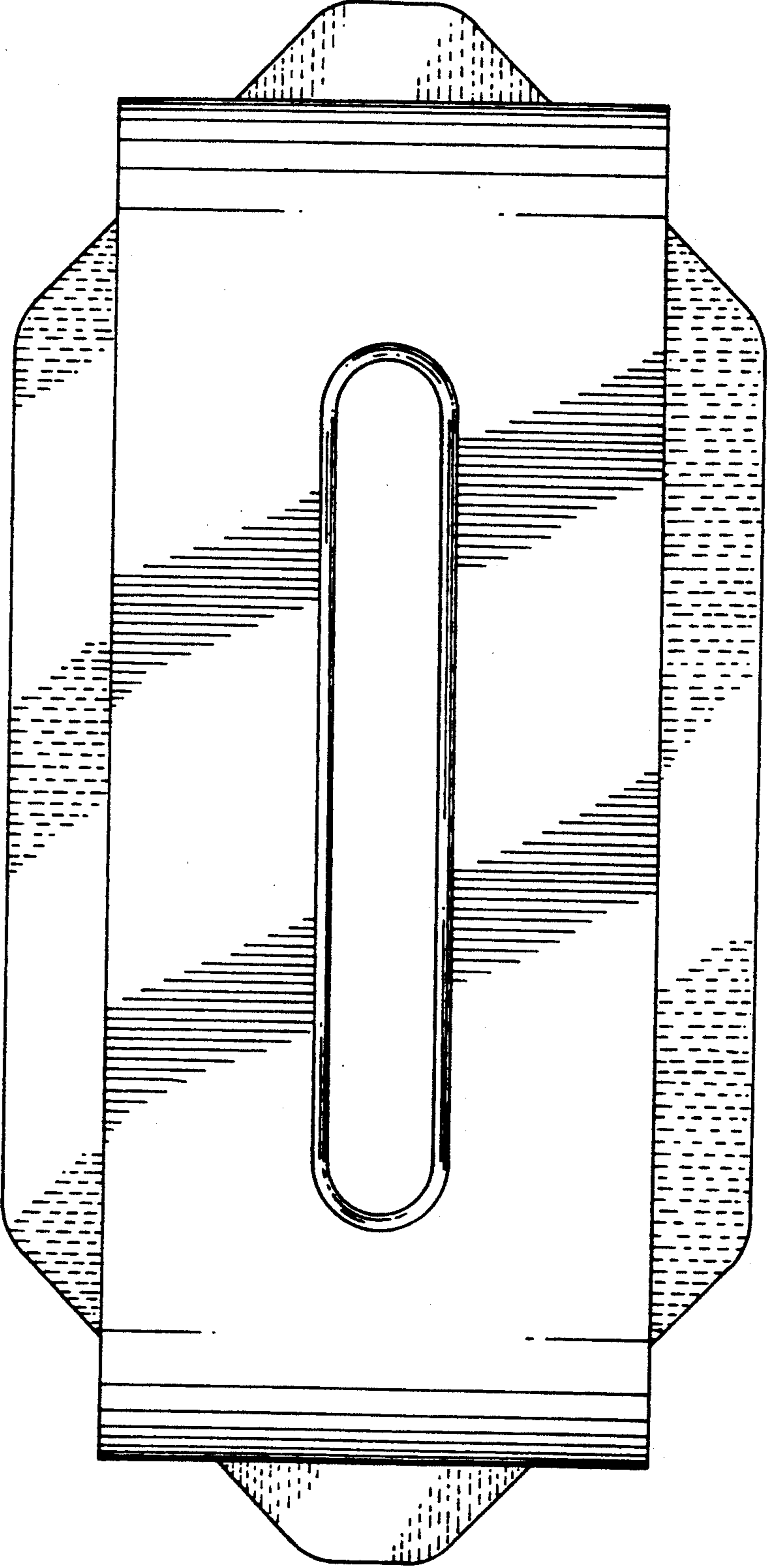


FIG. 5.

