



US00D335987S

United States Patent [19]

[11] Patent Number: **Des. 335,987**

McClurg

[45] Date of Patent: **** Jun. 1, 1993**

[54] **BULK GARBAGE BAG DISPENSER**

1,971,794 8/1934 Panetiere 211/16
2,181,207 11/1939 Sanford D6/523 X

[76] Inventor: **Donald L. McClurg**, 301 E. Fourth St., Maryville, Mo. 64468

Primary Examiner—Brian N. Vinson
Attorney, Agent, or Firm—Leon Gilden

[**] Term: **14 Years**

[57] **CLAIM**

[21] Appl. No.: **731,957**

The ornamental design for a bulk garbage bag dispenser, as shown and described.

[22] Filed: **Jul. 18, 1991**

[52] U.S. Cl. **D6/518; D6/513**

[58] Field of Search **D6/518-523, D6/315, 317, 513; 282/55.2; 211/16, 113, 119; 248/317, 339**

DESCRIPTION

[56] **References Cited**

U.S. PATENT DOCUMENTS

D. 56,254	9/1920	Lee	D6/523
D. 178,568	8/1956	Howrilka	D6/522
D. 230,627	3/1974	Carroll	D6/522
D. 318,770	8/1991	Grisel	D6/523

FIG. 1 is a front elevational view of a bulk garbage bag dispenser showing my new design, the broken-line disclosure of a roll of garbage bags being for illustrative purposes only and forming no part of the claimed design;

FIG. 2 is a rear elevational view thereof;

FIG. 3 is a left side elevational view thereof;

FIG. 4 is a right side elevational view thereof;

FIG. 5 is a top plan view thereof; and,

FIG. 6 is a bottom plan view thereof.

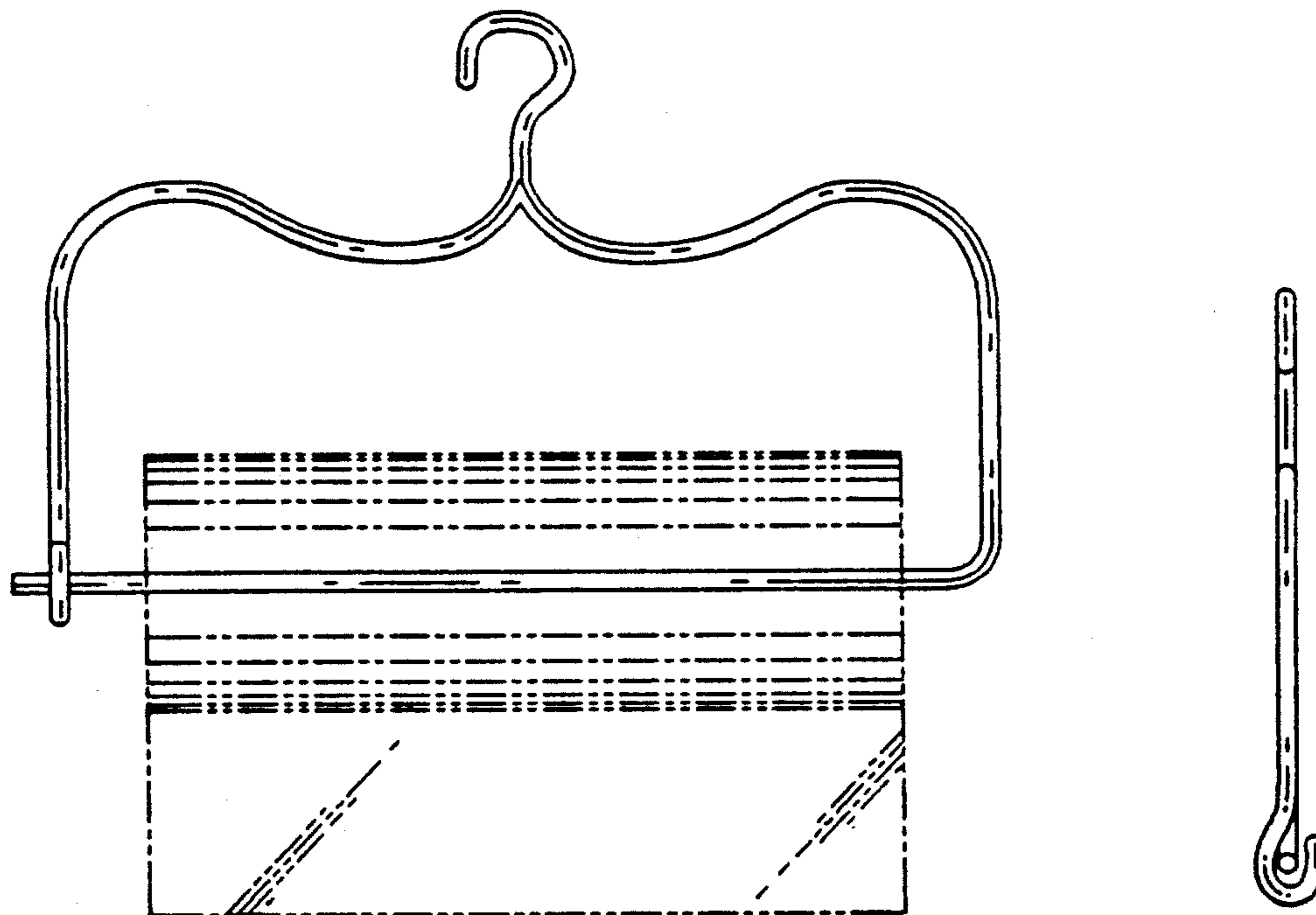


FIG. 1

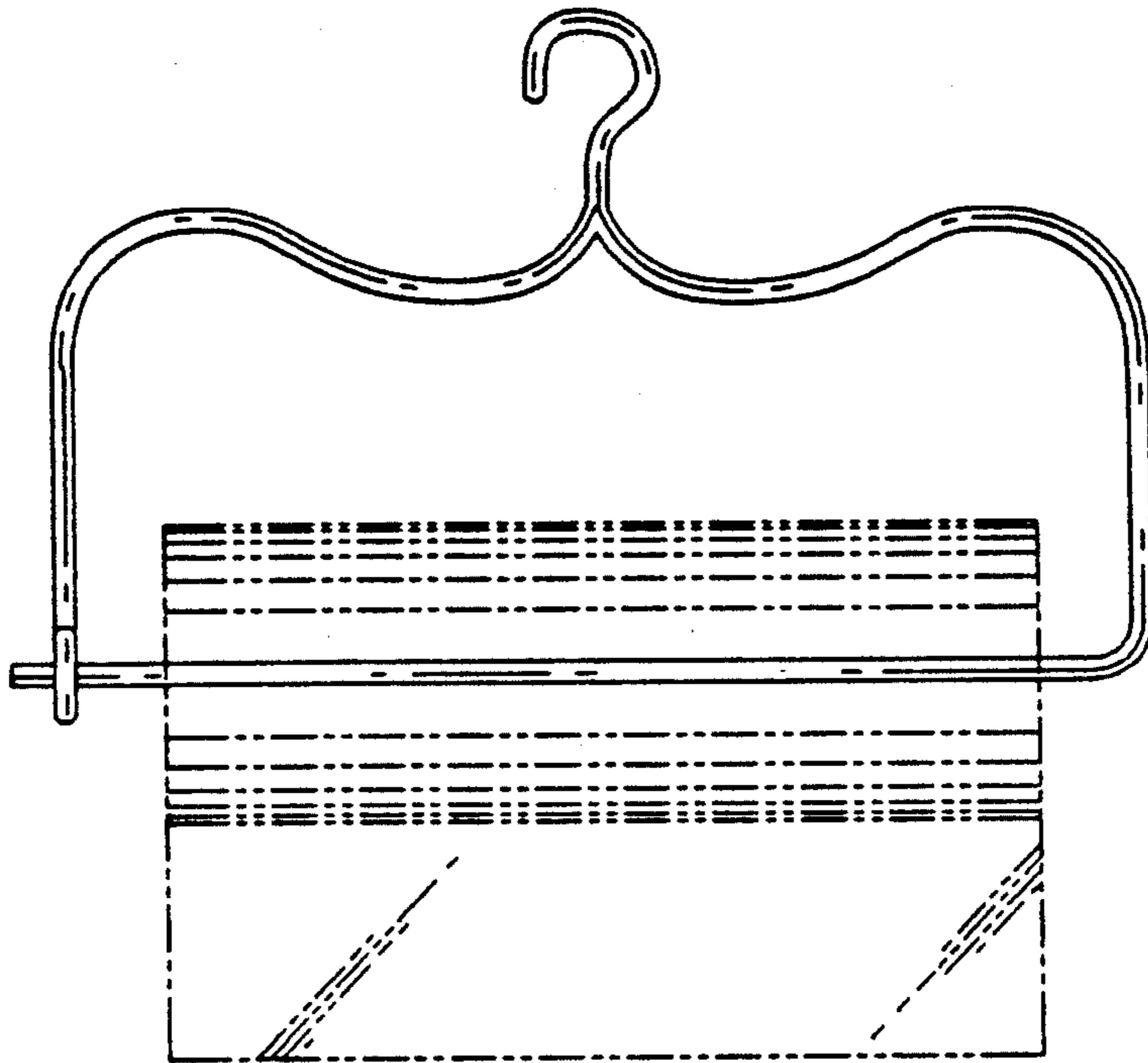


FIG. 2

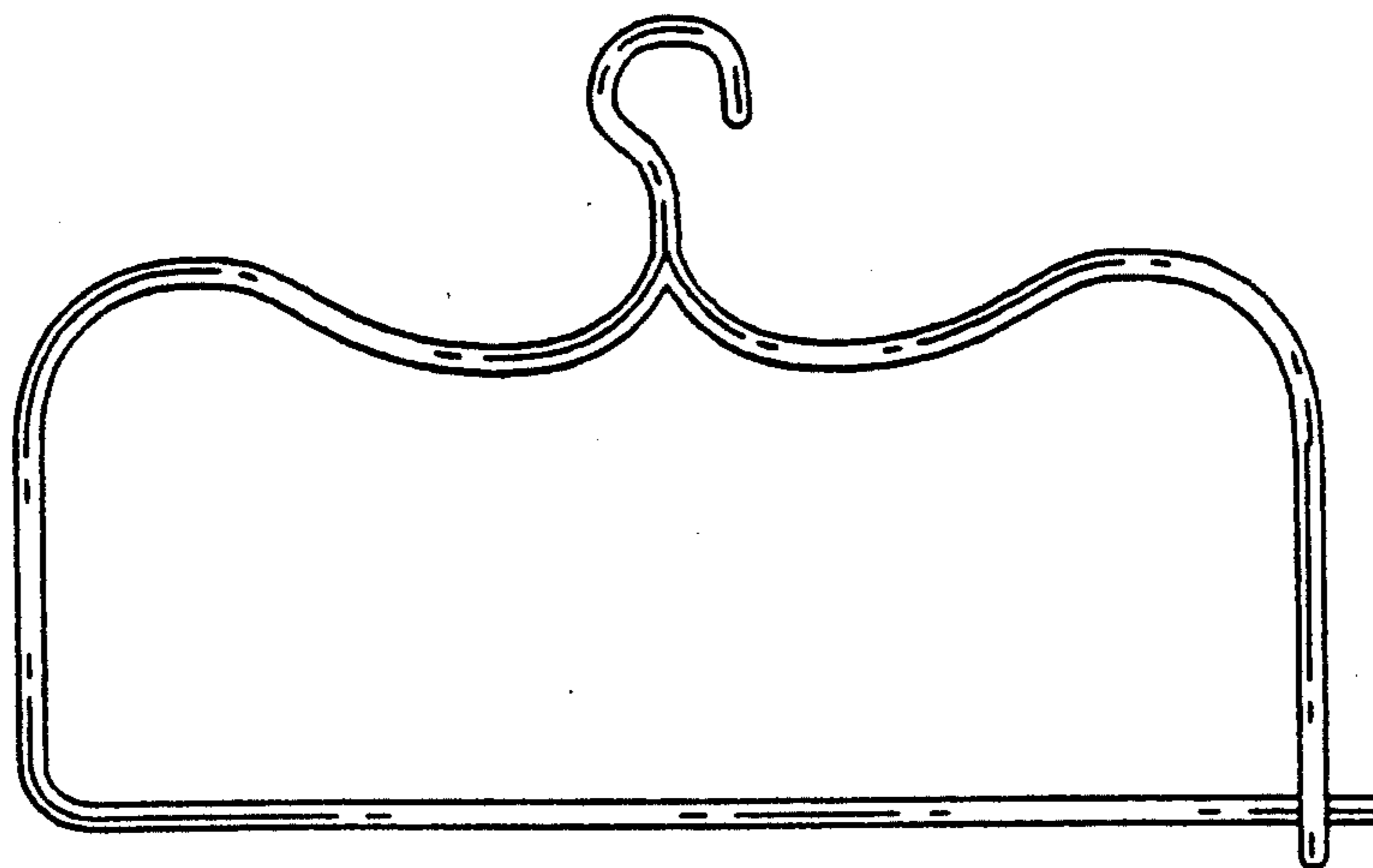


FIG. 3



FIG. 4



FIG. 5



FIG. 6

