



US00D335986S

# United States Patent [19]

[11] Patent Number: **Des. 335,986**

**Saffell**

[45] Date of Patent: **\*\* Jun. 1, 1993**

[54] **DECK RAIL POT HOLDER**

D. 299,088 12/1988 Monza ..... D6/556 X  
3,104,048 9/1963 Stevens ..... 248/311.2

[76] Inventor: **James F. Saffell**, 2218 Spruce Creek Rd., Railroad Flat, Calif. 95248

*Primary Examiner*—Brian N. Vinson  
*Attorney, Agent, or Firm*—Chernoff, Vilhauer et al.

[\*\*] Term: **14 Years**

### [57] CLAIM

[21] Appl. No.: **760,248**

The ornamental design for a deck rail pot holder, as shown and described.

[22] Filed: **Sep. 16, 1991**

[52] U.S. Cl. .... **D6/514; D6/513; D6/556; D6/403**

### DESCRIPTION

[58] Field of Search ..... **D6/403, 512-514, D6/556, 567, 569-570; 206/45; 211/13, 71, 86, 89, 113; 248/27.8, 176, 219.2, 249, 302, 309.1, 310**

FIG. 1 is a top, front, and left side perspective view of a deck rail pot holder showing my new design, the broken-line disclosure of a portion of a deck rail being for illustrative purposes only and forming no part of the claimed design;

### [56] References Cited

#### U.S. PATENT DOCUMENTS

D. 90,966 11/1933 Bach ..... D6/556  
D. 174,410 4/1955 Banneyer ..... D6/558  
D. 258,330 2/1981 Bosky ..... D6/556

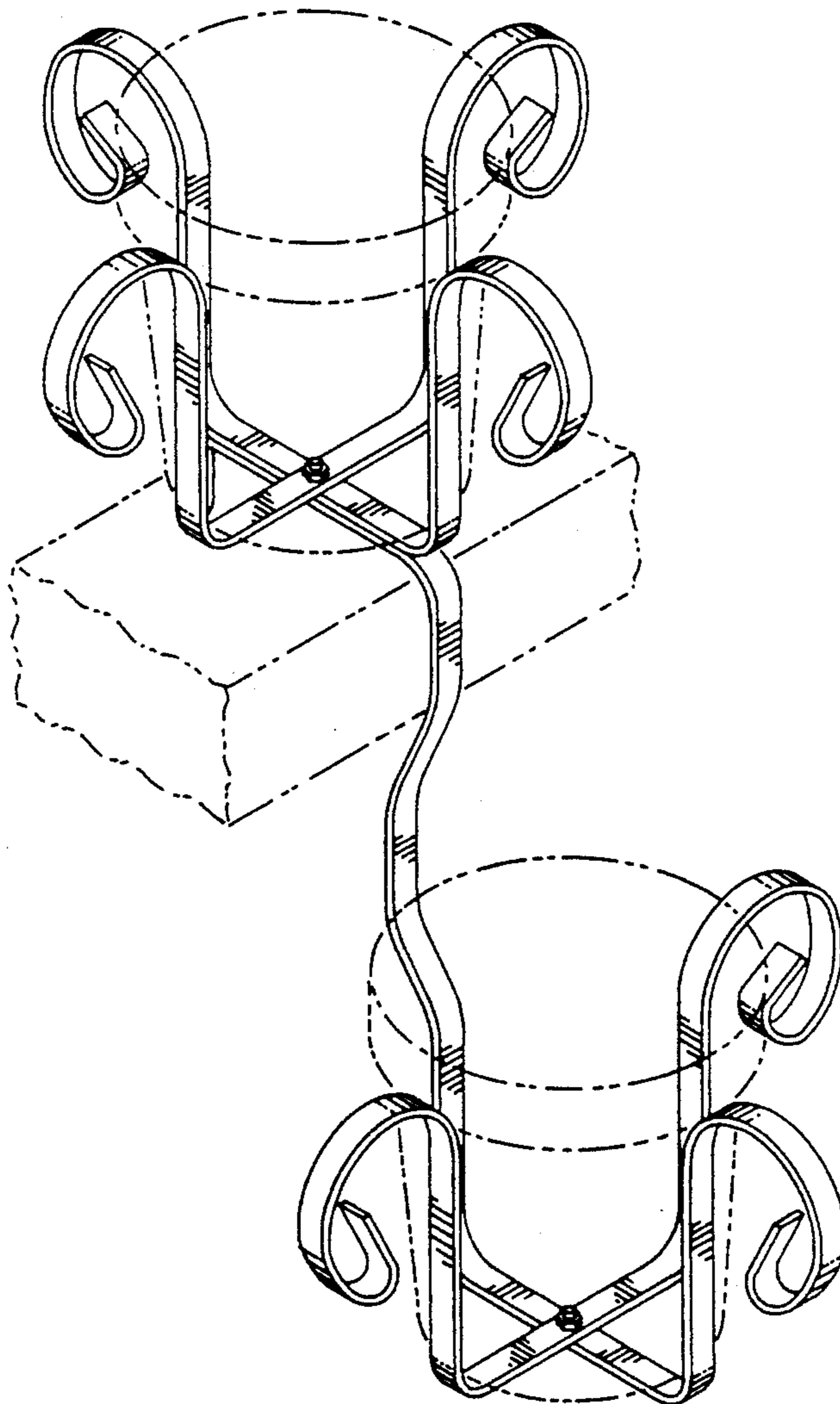
FIG. 2 is a front elevational view thereof;

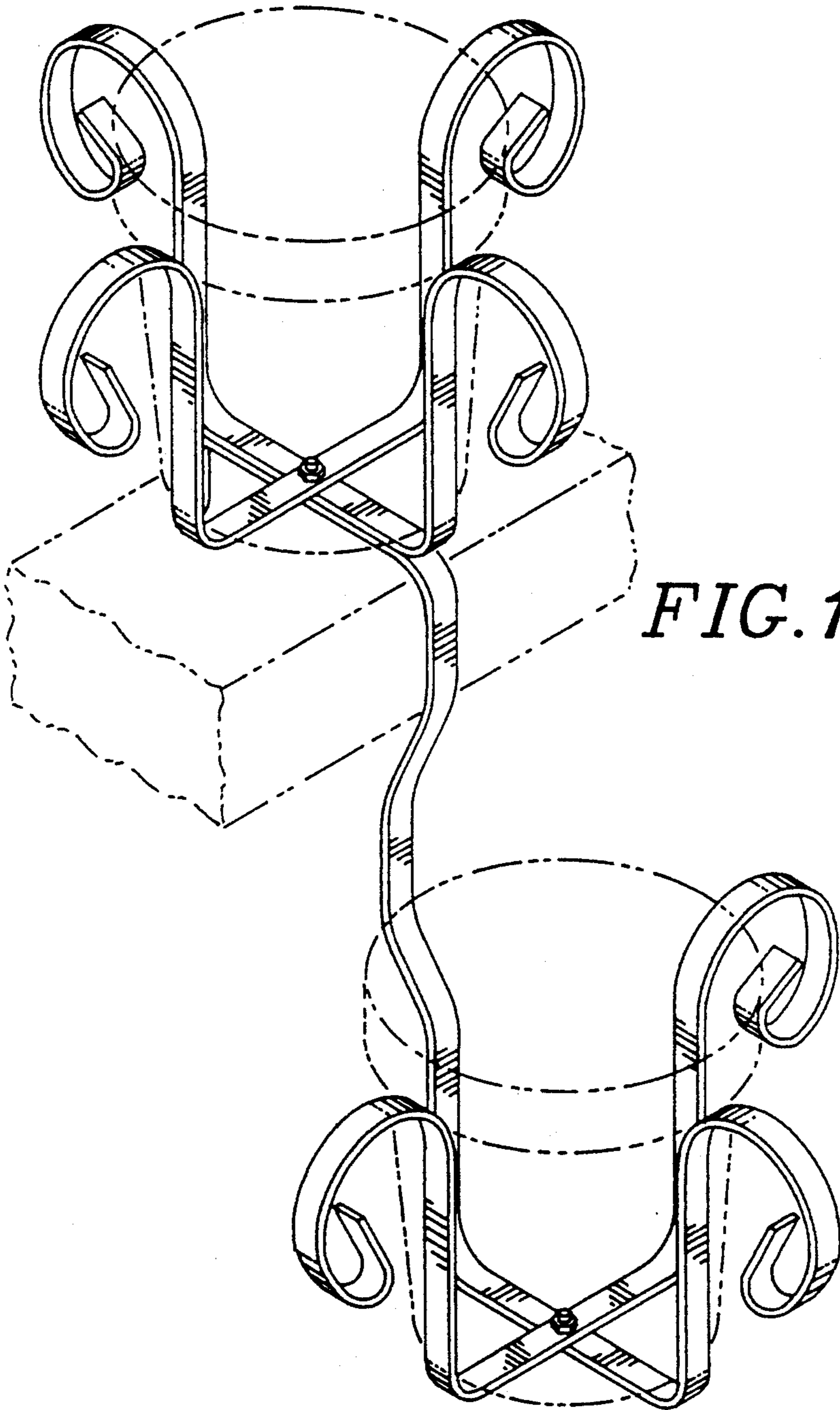
FIG. 3 is a side elevational view thereof, the opposite side elevational view being a mirror image thereof;

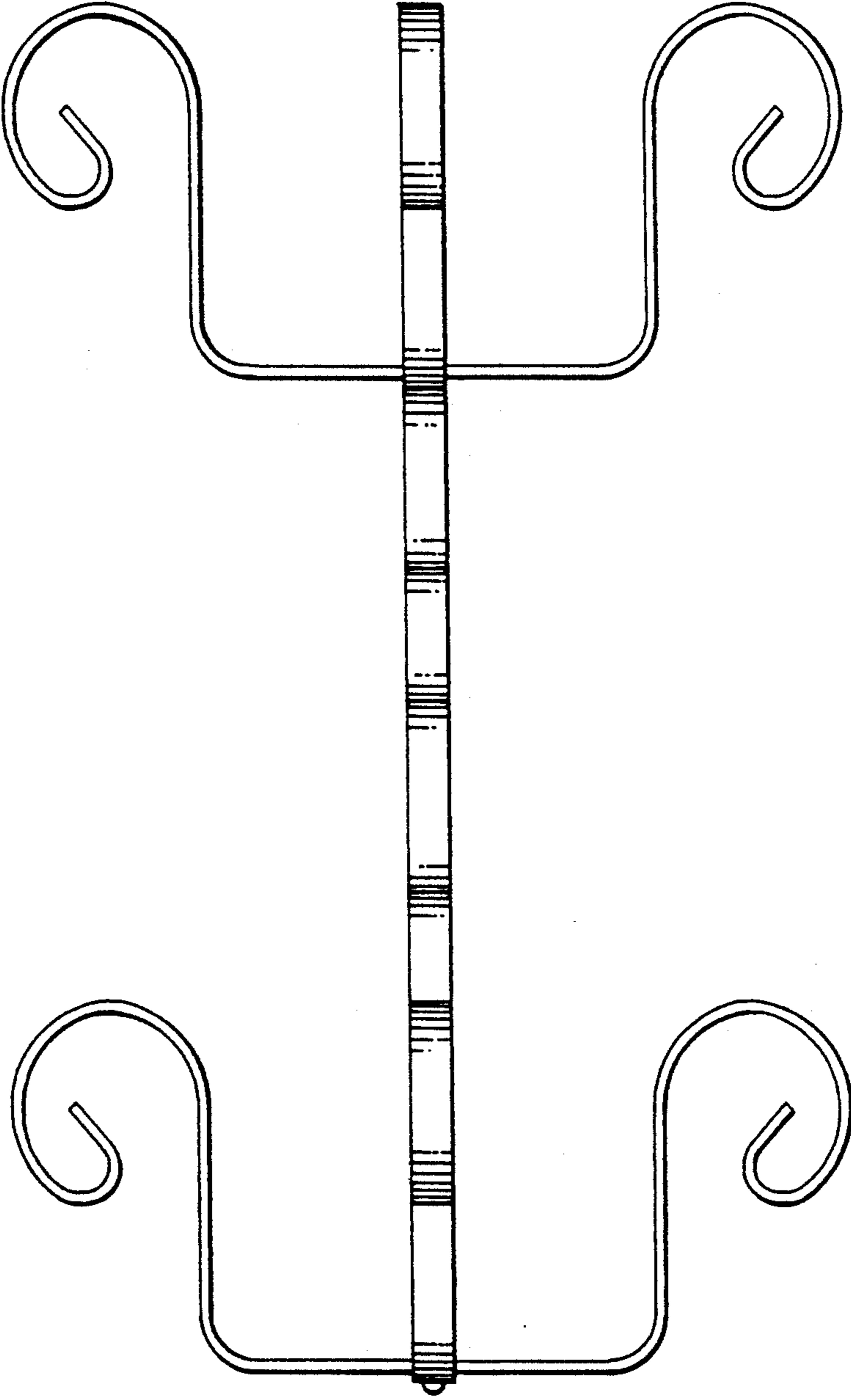
FIG. 4 is a rear elevational view thereof;

FIG. 5 is a top plan view thereof; and,

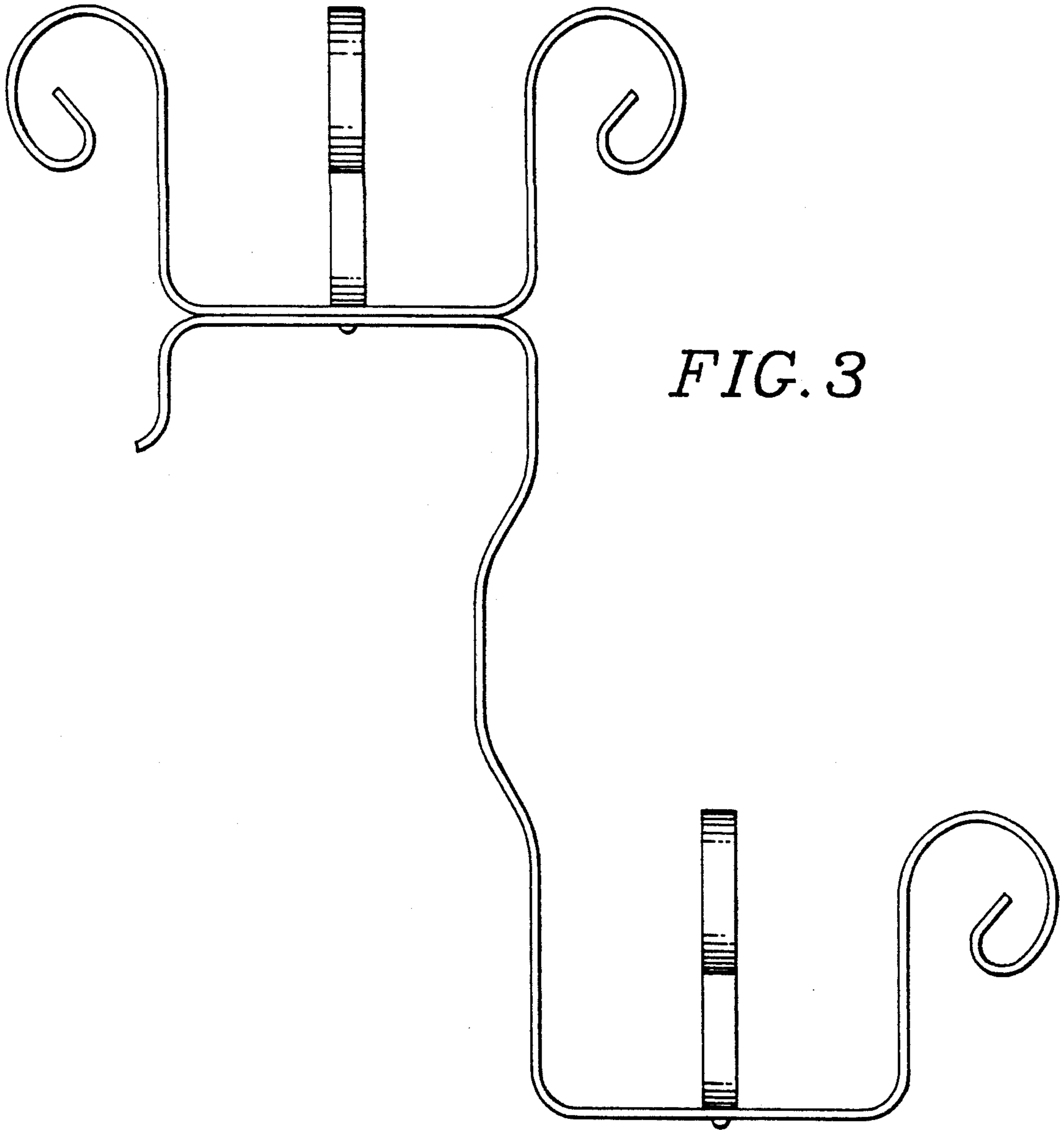
FIG. 6 is a bottom plan view thereof.



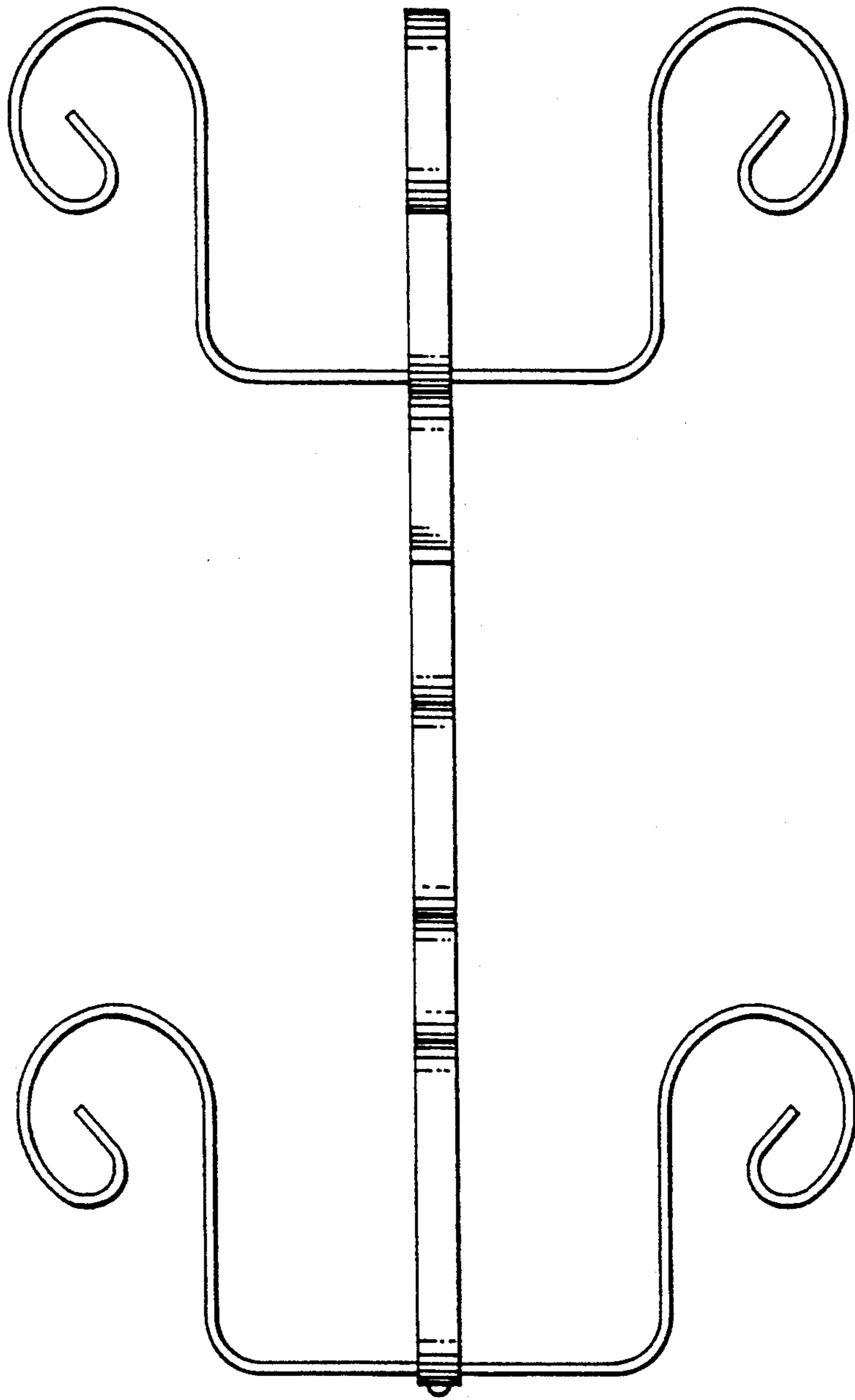




*FIG. 2*



*FIG. 3*



*FIG. 4*

