



US00D335983S

# United States Patent [19]

[11] Patent Number: **Des. 335,983**

**Gutgsell**

[45] Date of Patent: **\*\* Jun. 1, 1993**

- [54] TABLE BASE
- [75] Inventor: **David R. Gutgsell, Jasper, Ind.**
- [73] Assignee: **Ditto Sales Inc., Jasper, Ind.**
- [\*\*] Term: **14 Years**
- [21] Appl. No.: **554,585**
- [22] Filed: **Jul. 18, 1990**
- [52] U.S. Cl. .... **D6/495; D6/498; D6/499**
- [58] Field of Search ..... **D6/480, 482, 484, 486, D6/487, 488, 495-499; 248/167, 188, 188.1**

608,659	8/1898	Erwin .....	248/167
831,268	9/1906	Edick et al. ....	248/167 X
1,067,223	7/1913	Kjelsoe .....	248/167

*Primary Examiner*—Nelson C. Holtje  
*Assistant Examiner*—J. E. Seeger  
*Attorney, Agent, or Firm*—Woodard, Emhardt, Naughton, Moriarty & McNett

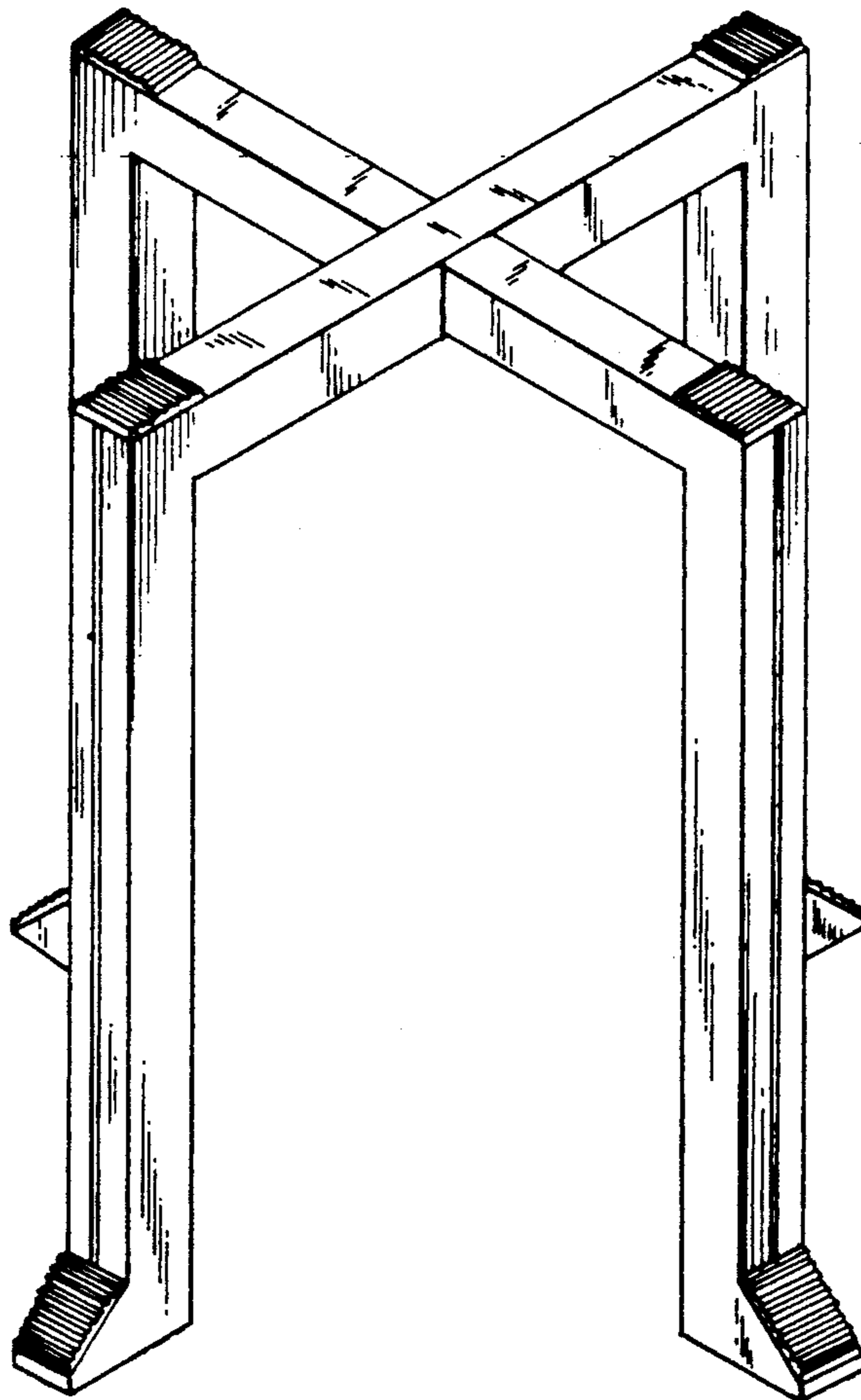
### [57] CLAIM

The ornamental design for a table base, as shown and described.

### DESCRIPTION

FIG. 1 is a perspective view of a table base, showing my new design;  
 FIG. 2 is a typical side elevational view;  
 FIG. 3 is a top plan view;  
 FIG. 4 is a bottom plan view;  
 FIG. 5 is a cross-sectional view, taken along line 5—5 in FIG. 2;  
 FIG. 6 is a top plan view of the pad portion, shown enlarged for convenience of illustration; and,  
 FIG. 7 is a side elevational view of FIG. 6.

- [56] **References Cited**
- U.S. PATENT DOCUMENTS**
- D. 35,045 9/1901 Stickley ..... D6/484
- D. 110,709 8/1938 Padwa ..... D6/495
- D. 222,624 11/1971 Granfagna ..... D6/484
- D. 229,146 11/1973 Kipp et al. .... D6/498
- D. 237,929 12/1975 Laylon ..... D6/488
- D. 265,364 7/1982 Walker ..... D6/495



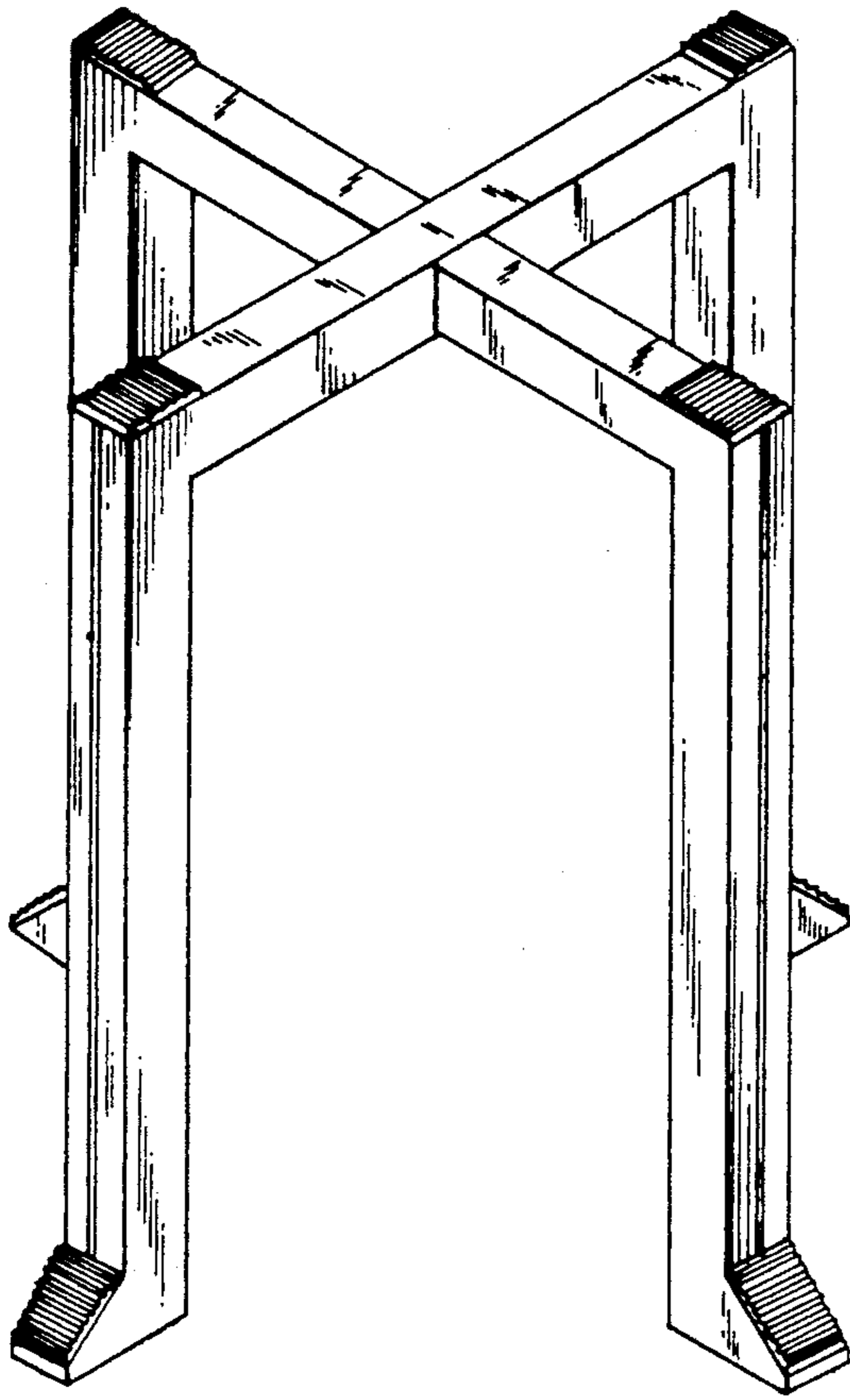


Fig. 1

Fig. 2

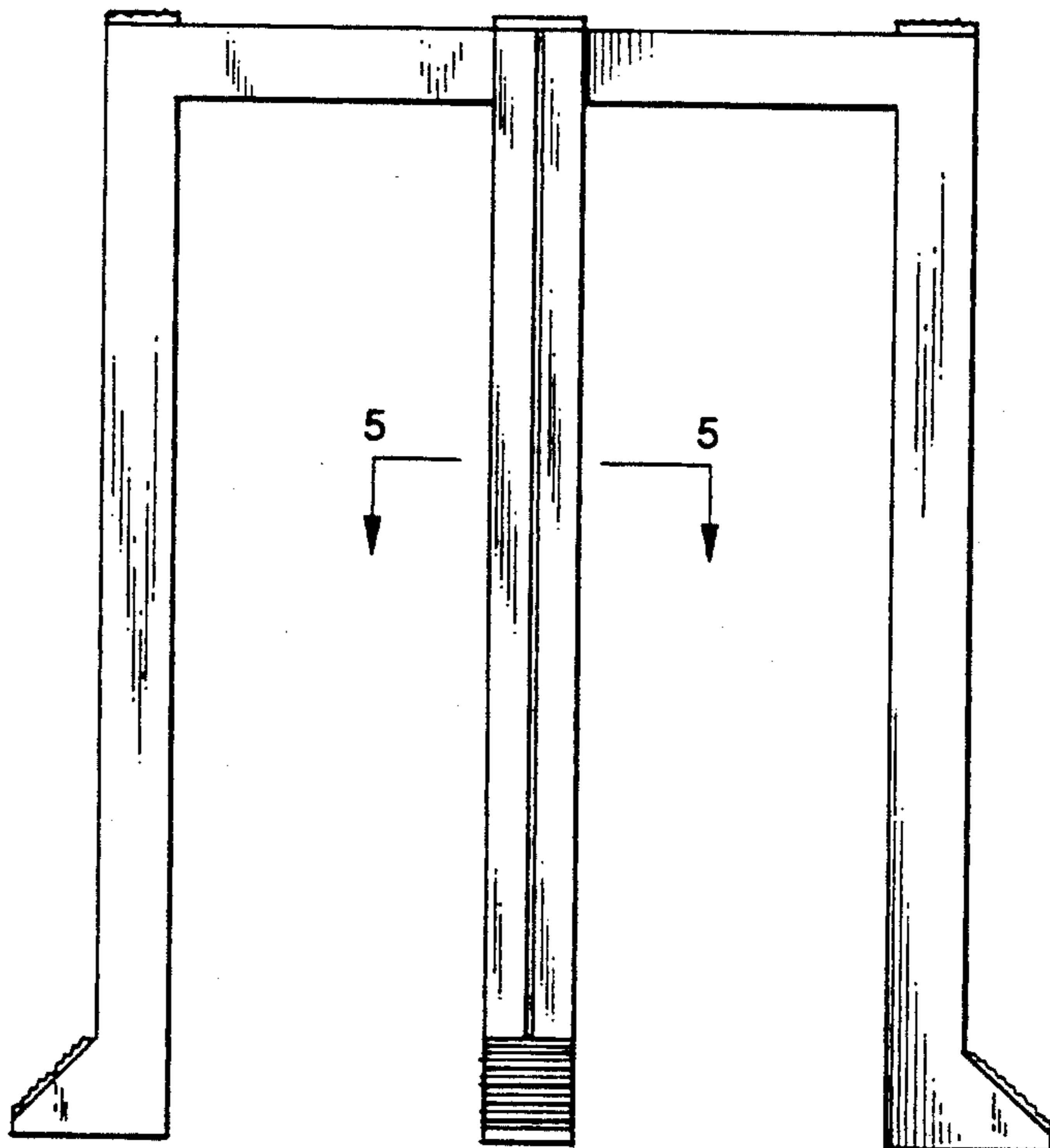


Fig. 3

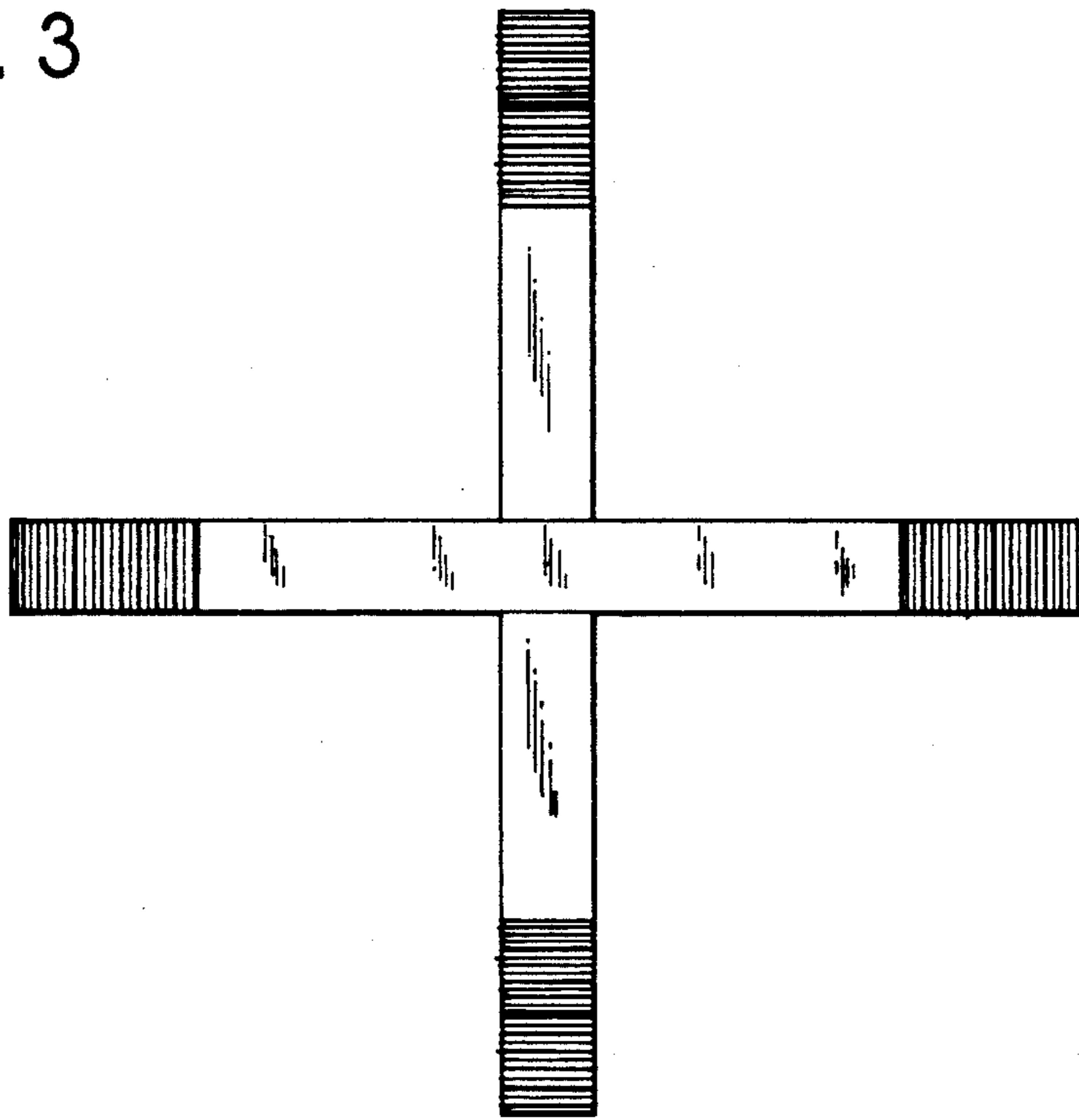
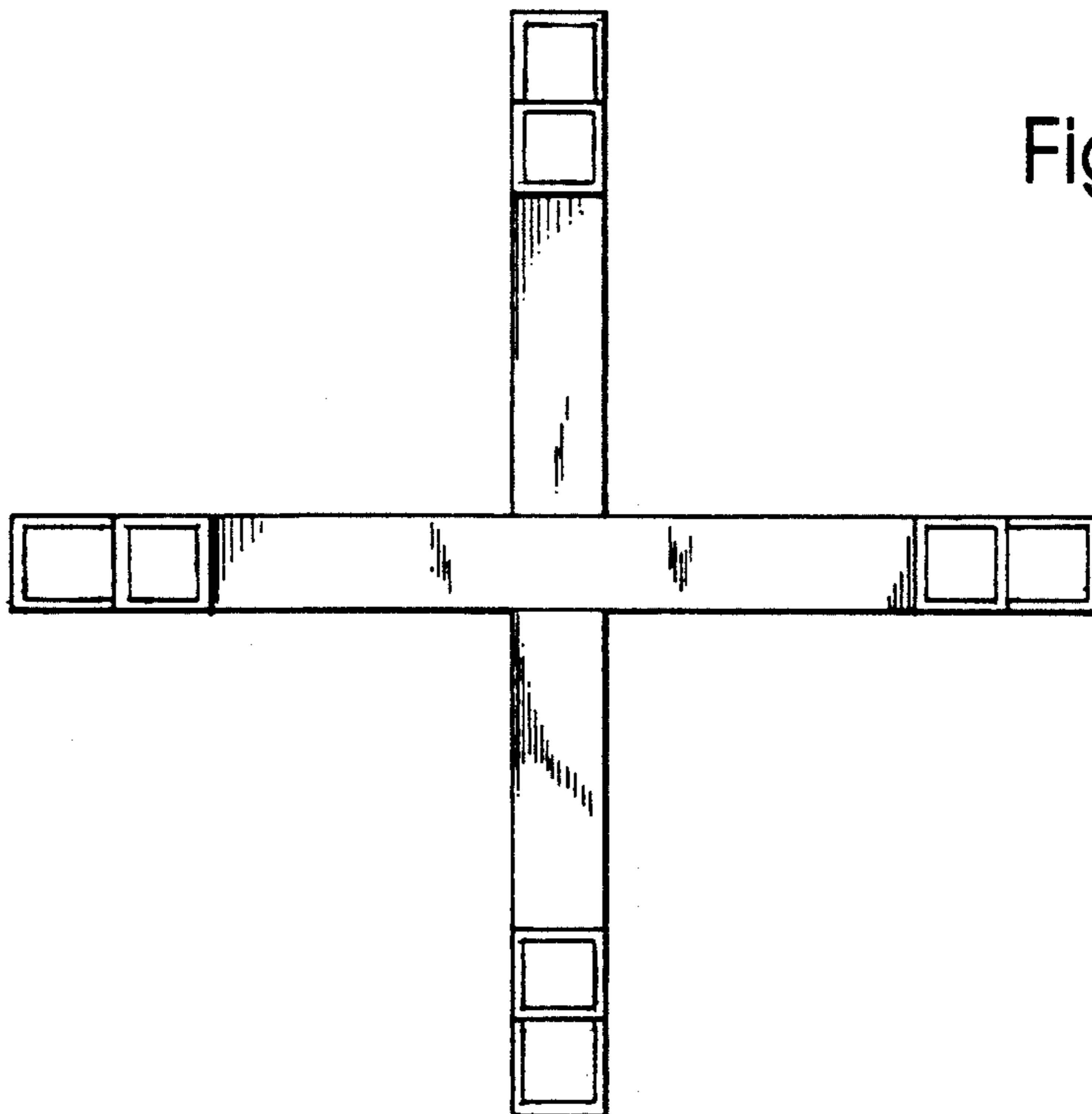


Fig. 4



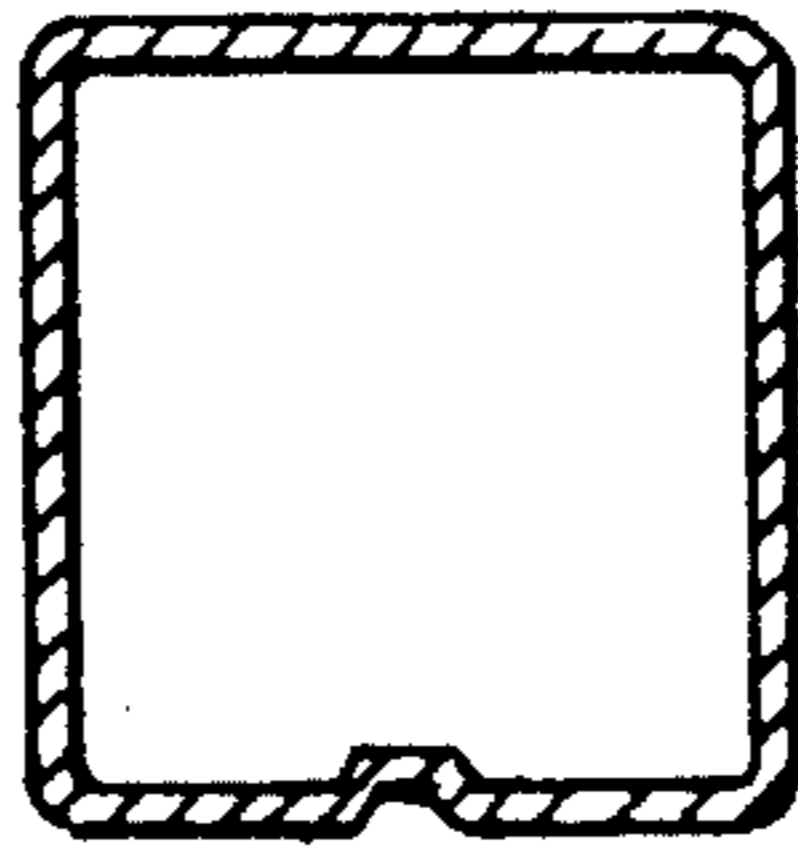


Fig. 5

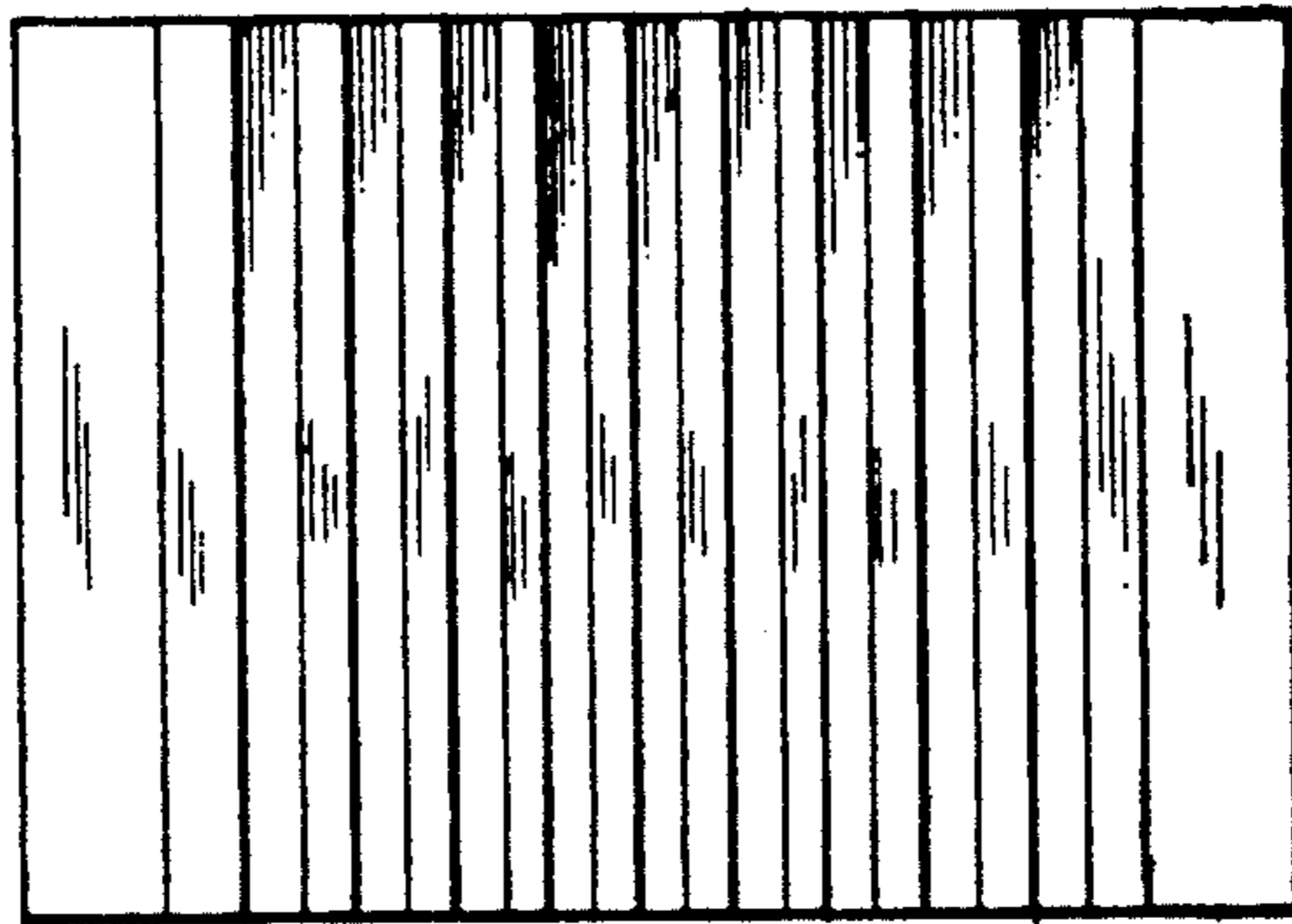


Fig. 6



Fig. 7