



US00D335979S

United States Patent [19]

[11] Patent Number: **Des. 335,979**

Horwitz

[45] Date of Patent: **** Jun. 1, 1993**

[54] TABLE

[76] Inventor: **Norton J. Horwitz**, 8705 Terri Cir.,
Knoxville, Tenn. 37923

[**] Term: **14 Years**

[21] Appl. No.: **685,559**

[22] Filed: **Apr. 12, 1991**

[52] U.S. Cl. **D6/484**

[58] Field of Search **D6/480, 482-489,**
D6/495, 496, 498, 499, 429, 406; 108/59, 156,
161

[56] **References Cited**

U.S. PATENT DOCUMENTS

| | | | | |
|------------|---------|------------------|-------|----------|
| D. 259,455 | 6/1981 | Braun | | D6/484 |
| D. 262,249 | 12/1981 | Smith III | | D6/480 X |
| D. 311,284 | 10/1990 | Goldberg | | D6/484 |
| D. 327,987 | 7/1992 | Delmerico et al. | | D6/484 X |
| 3,979,156 | 9/1976 | Gross | | D6/484 X |
| 4,311,099 | 1/1982 | Roberts | | D6/406 X |

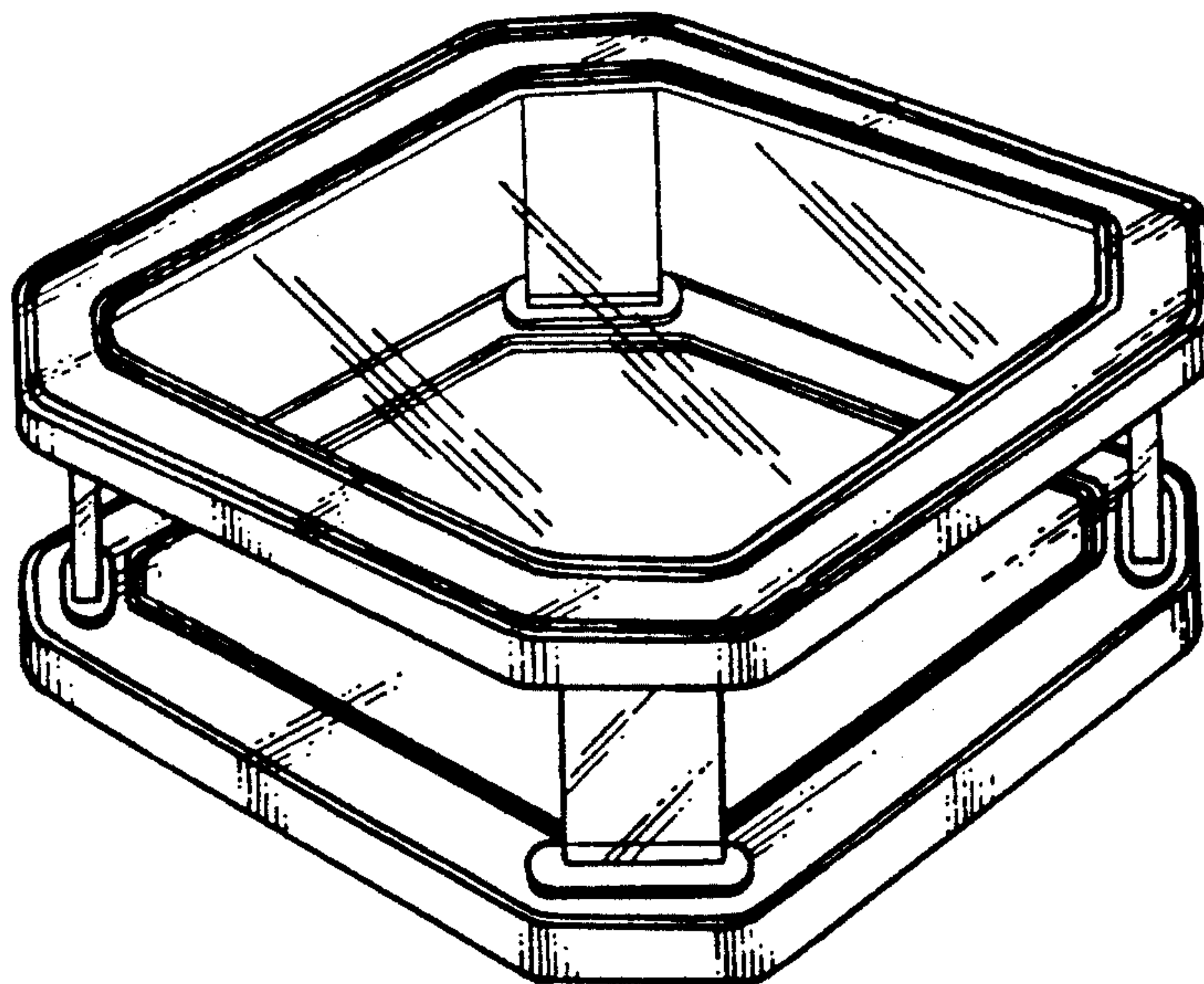
Primary Examiner—Nelson C. Holtje
Assistant Examiner—J. E. Seeger

[57] **CLAIM**

The ornamental design for a table, as shown and described.

DESCRIPTION

FIG. 1 is a perspective view of one embodiment of my design;
 FIG. 2 is a top plan view thereof;
 FIG. 3 is a side elevational view thereof, the opposite side view being identical;
 FIG. 4 is a front elevational view thereof, the rear elevational view being identical;
 FIG. 5 is a top plan view of another embodiment of my design;
 FIG. 6 is a side elevational view thereof, the opposite side view being identical;
 FIG. 7 is a front elevational view thereof, the rear elevational view being identical;
 FIG. 8 is a top plan view of still another embodiment of my design;
 FIG. 9 is a side elevational view thereof, the opposite side view being identical; and,
 FIG. 10 is a front elevational view thereof, the rear elevational view being identical.



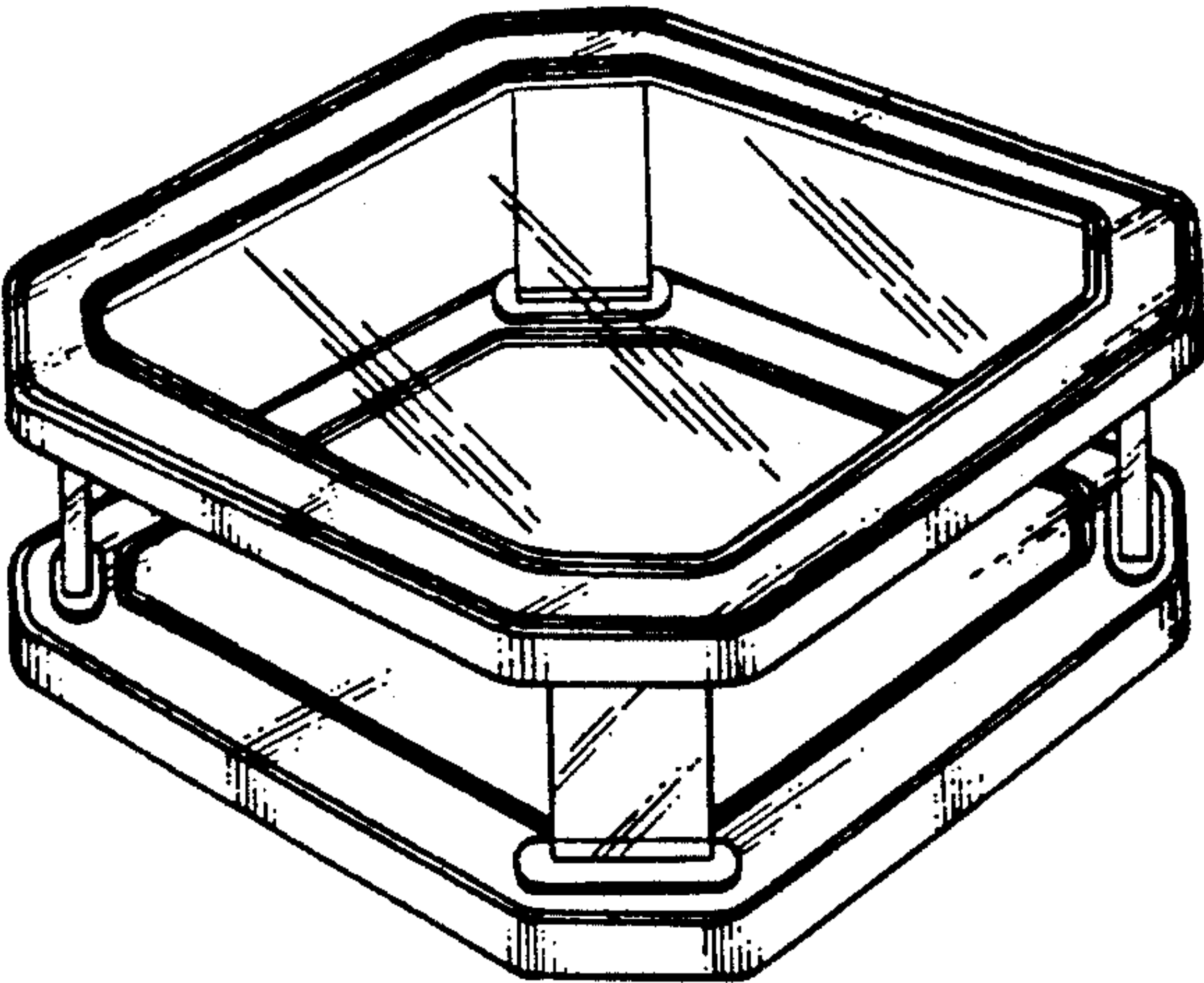


Fig. 1

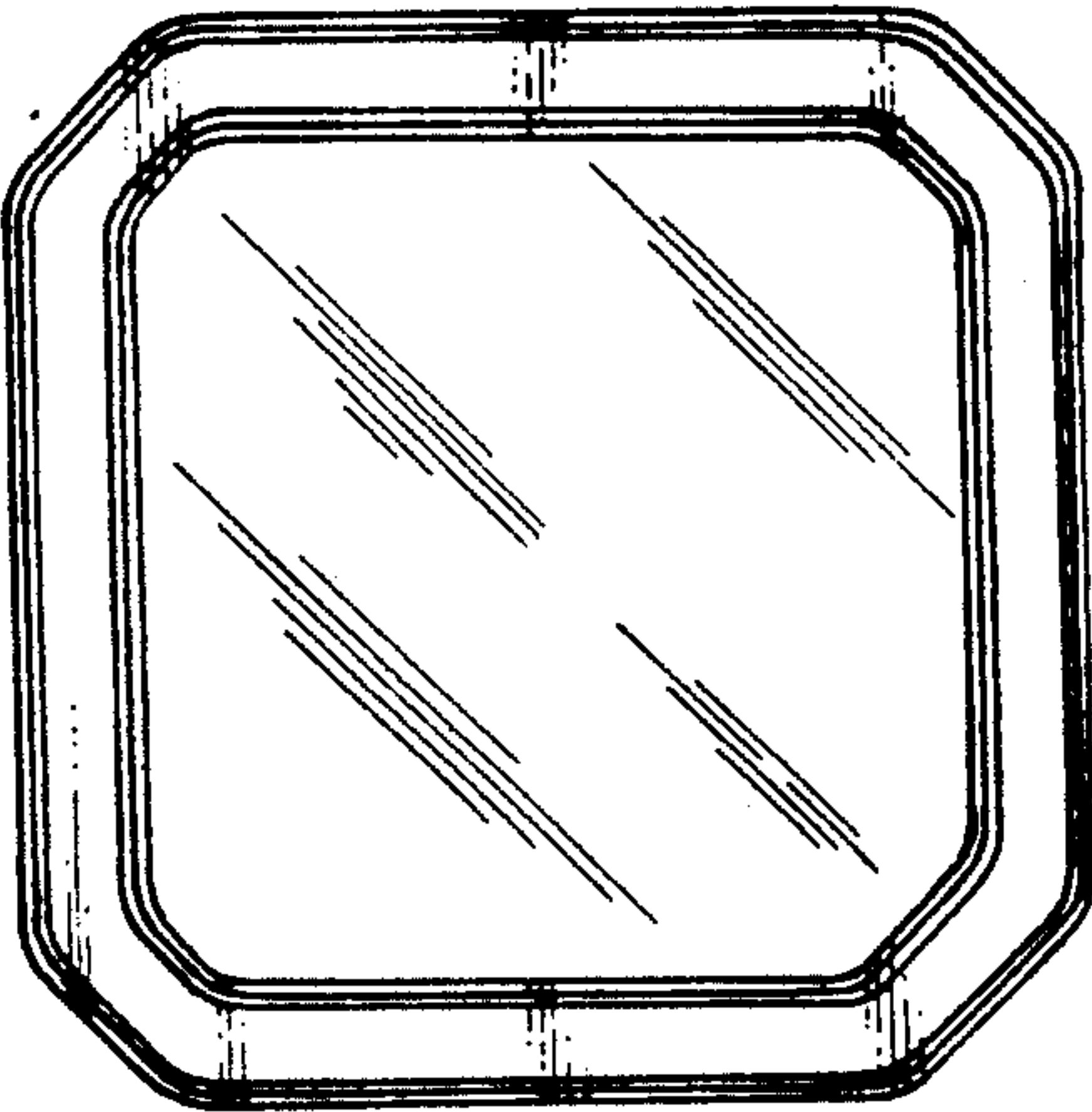


Fig. 2

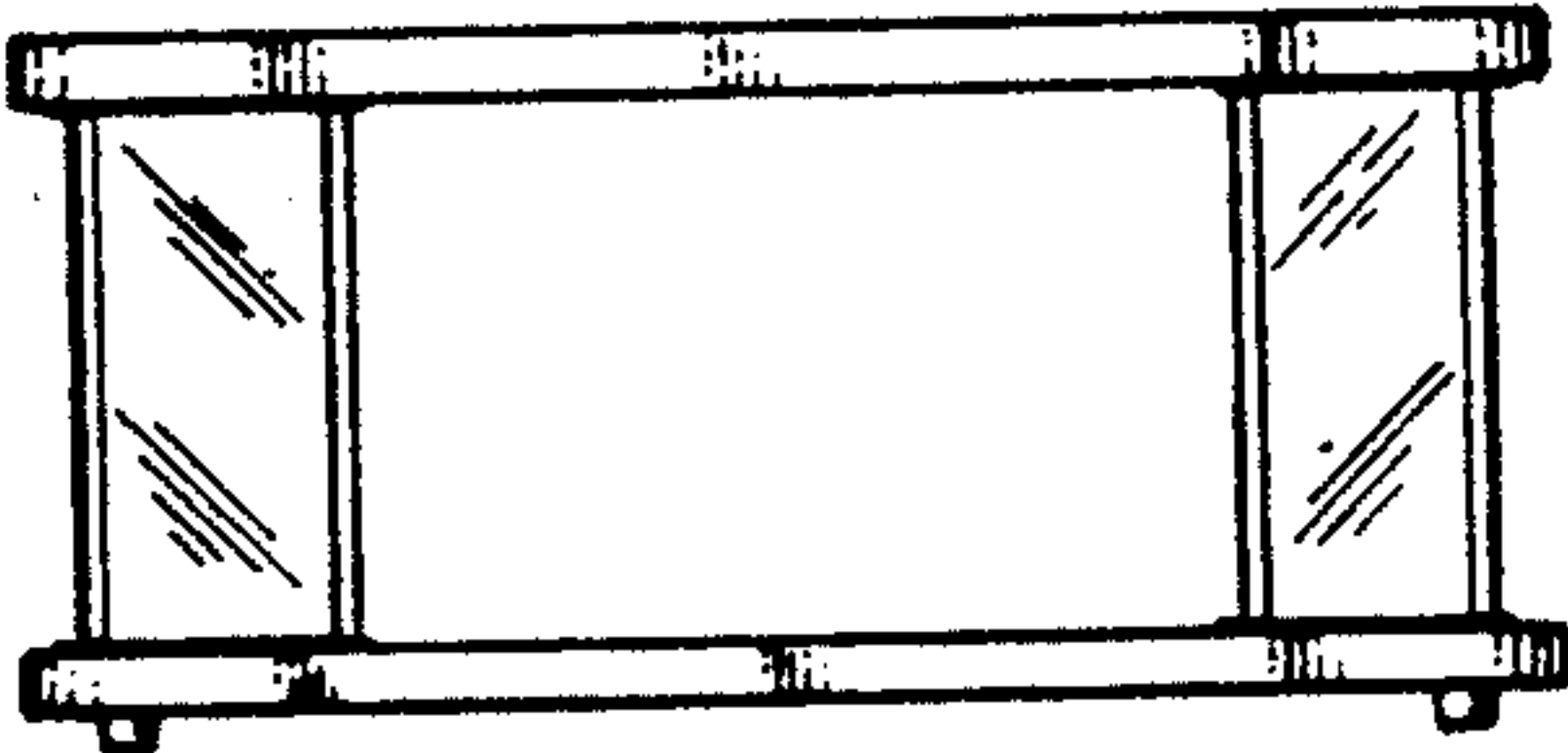


Fig. 3

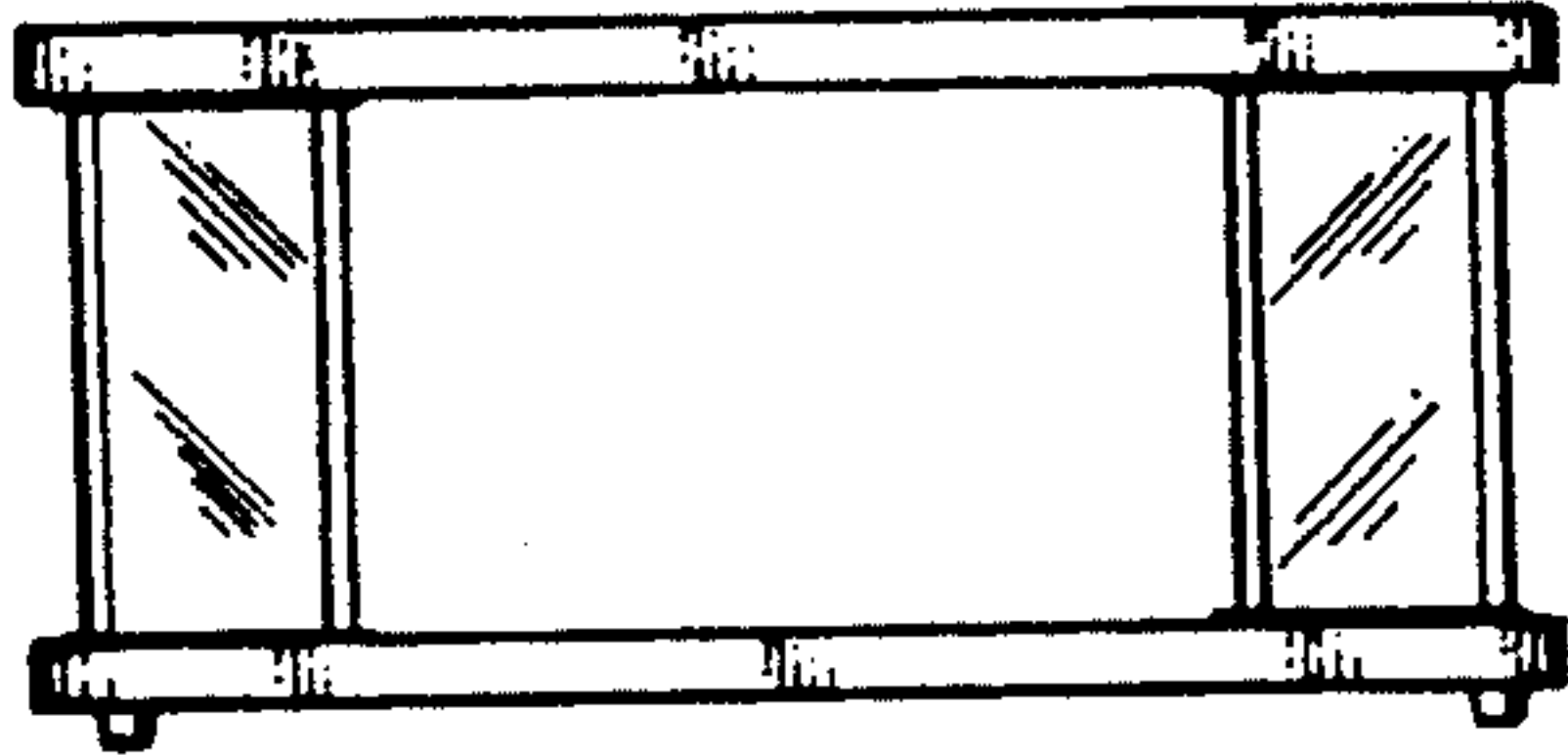


Fig. 4

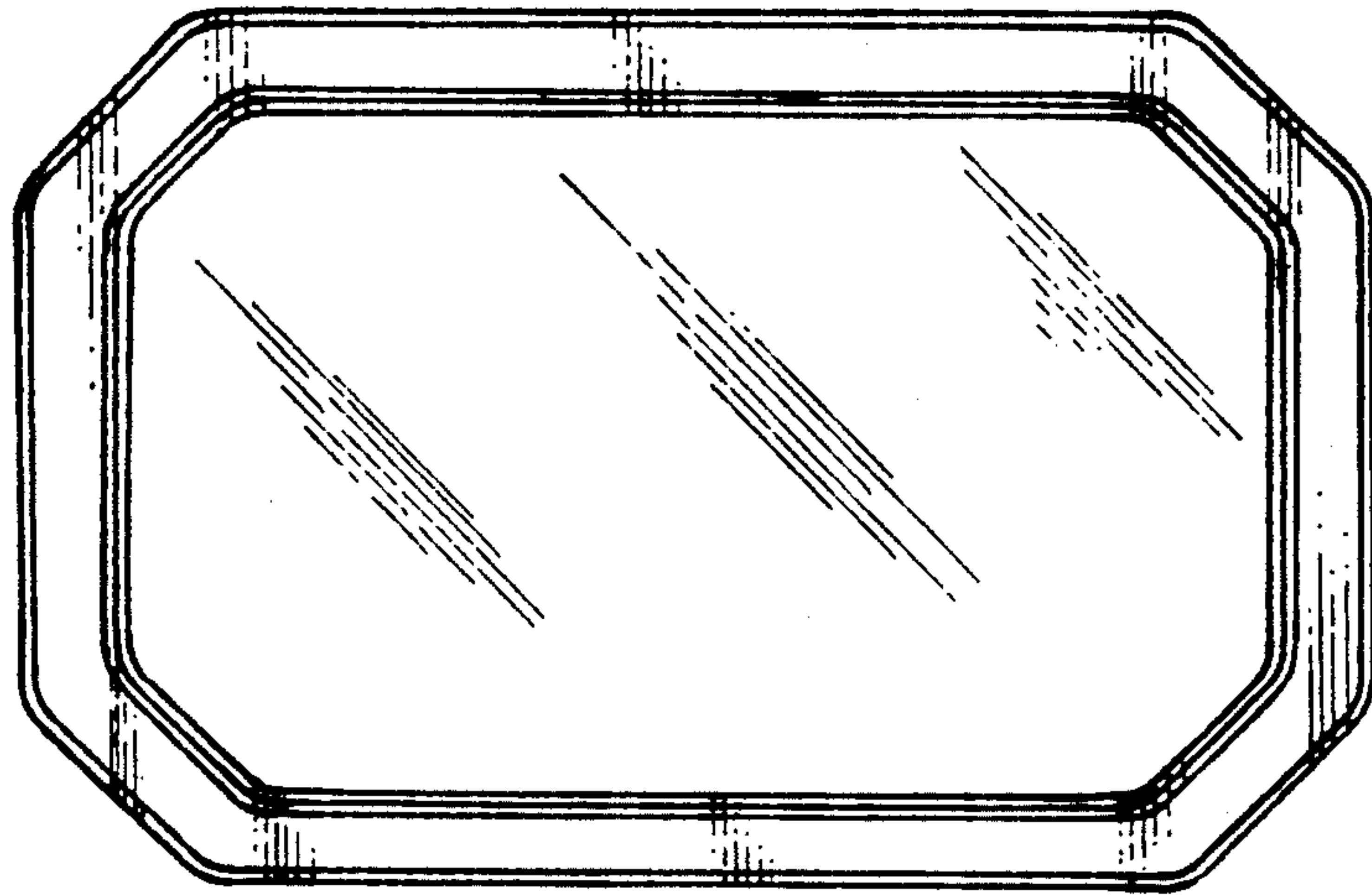


Fig. 5

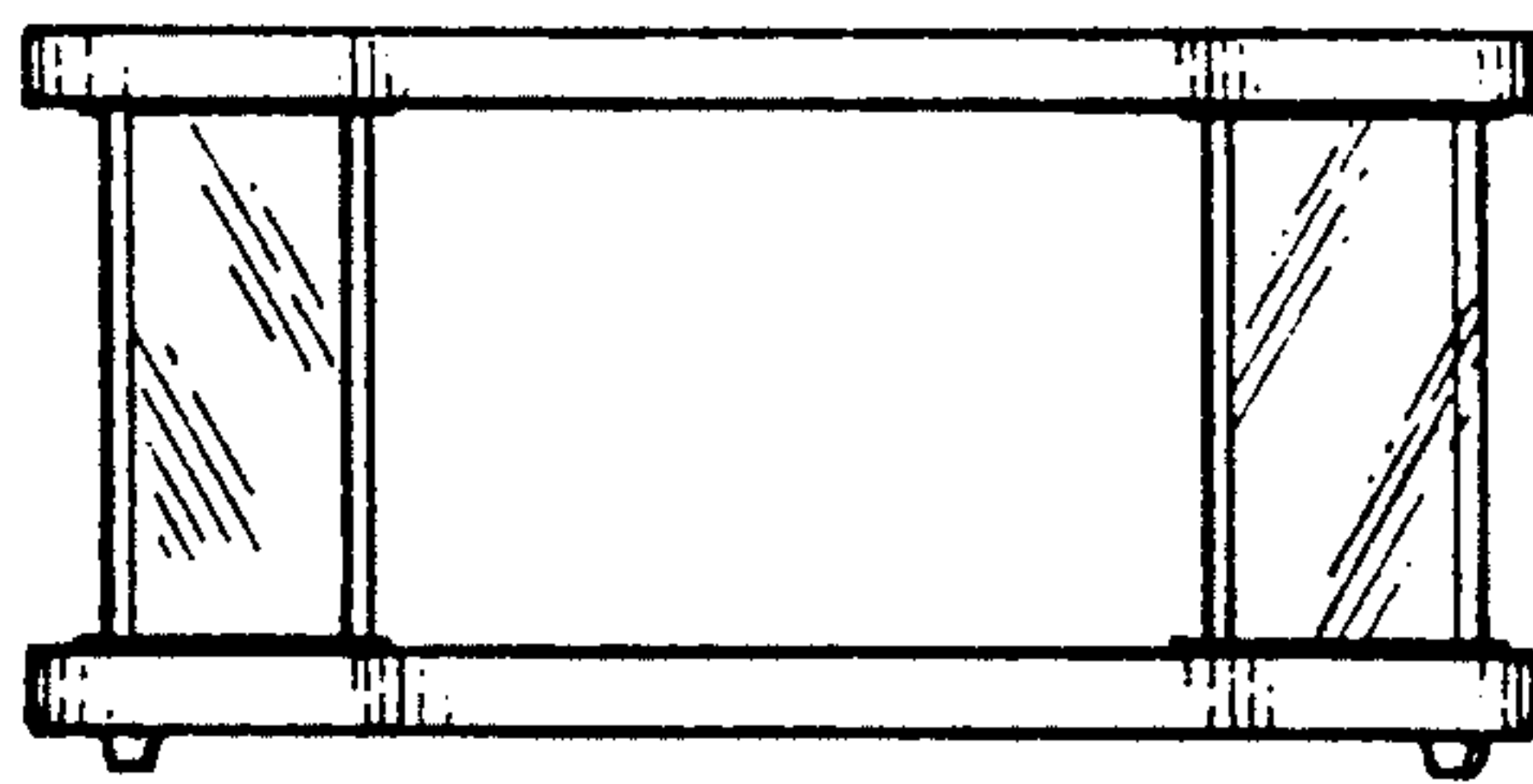


Fig. 6

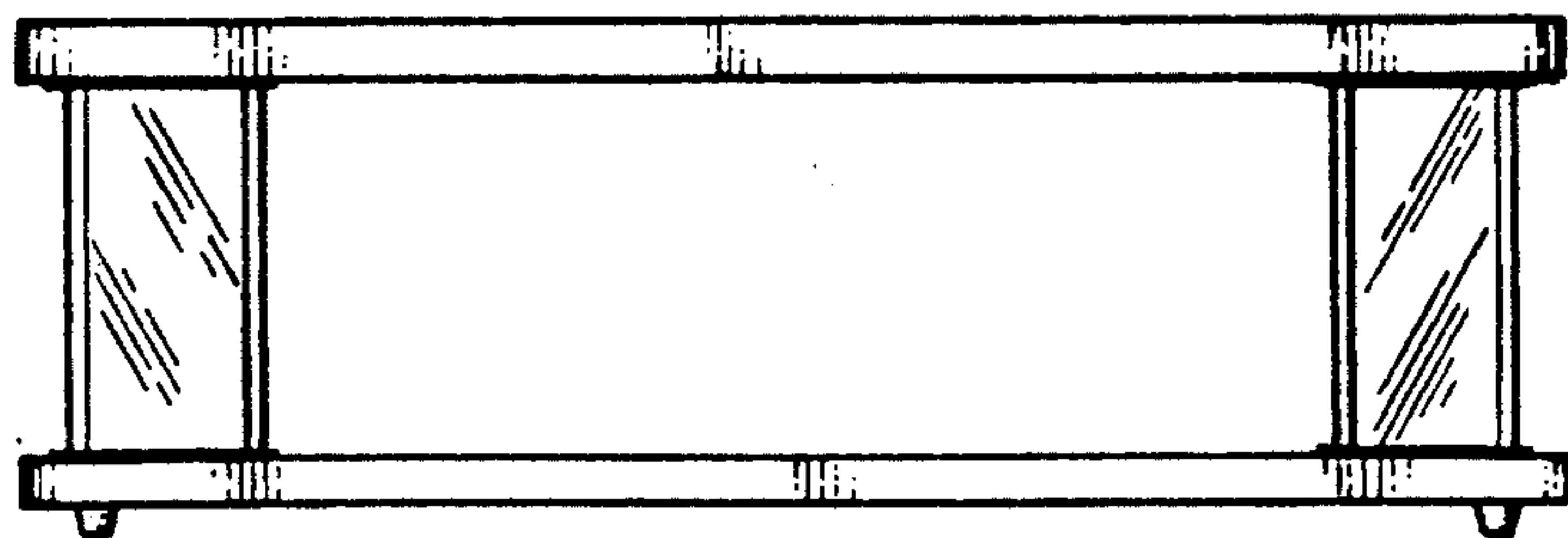


Fig. 7

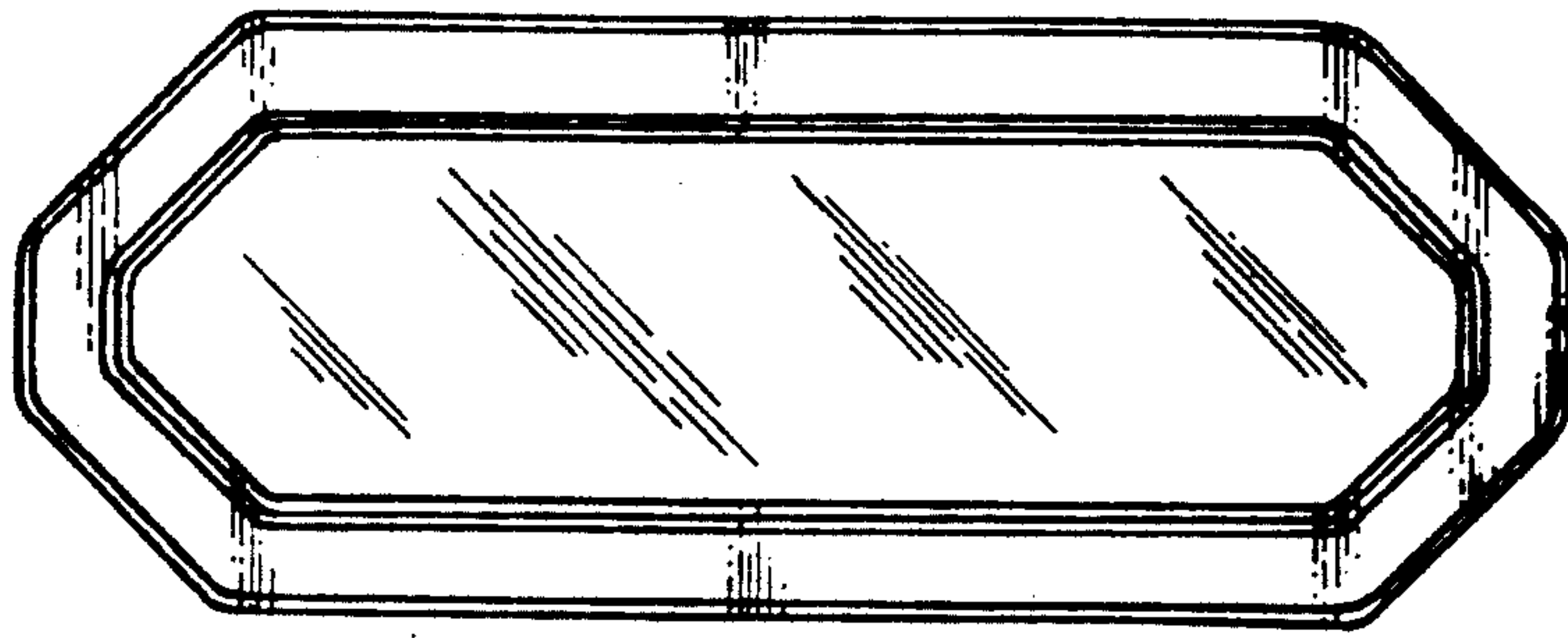


Fig. 8

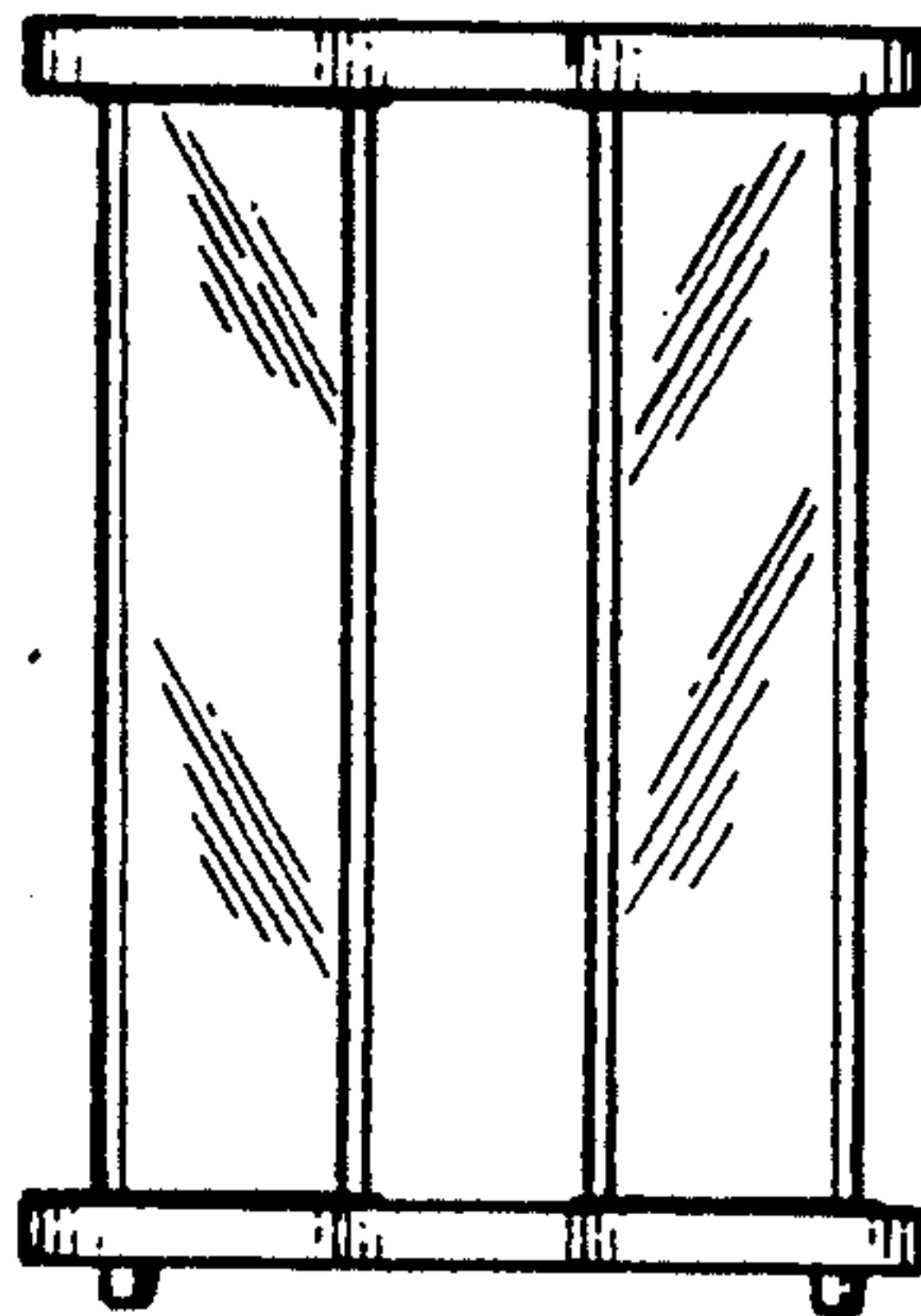


Fig. 9

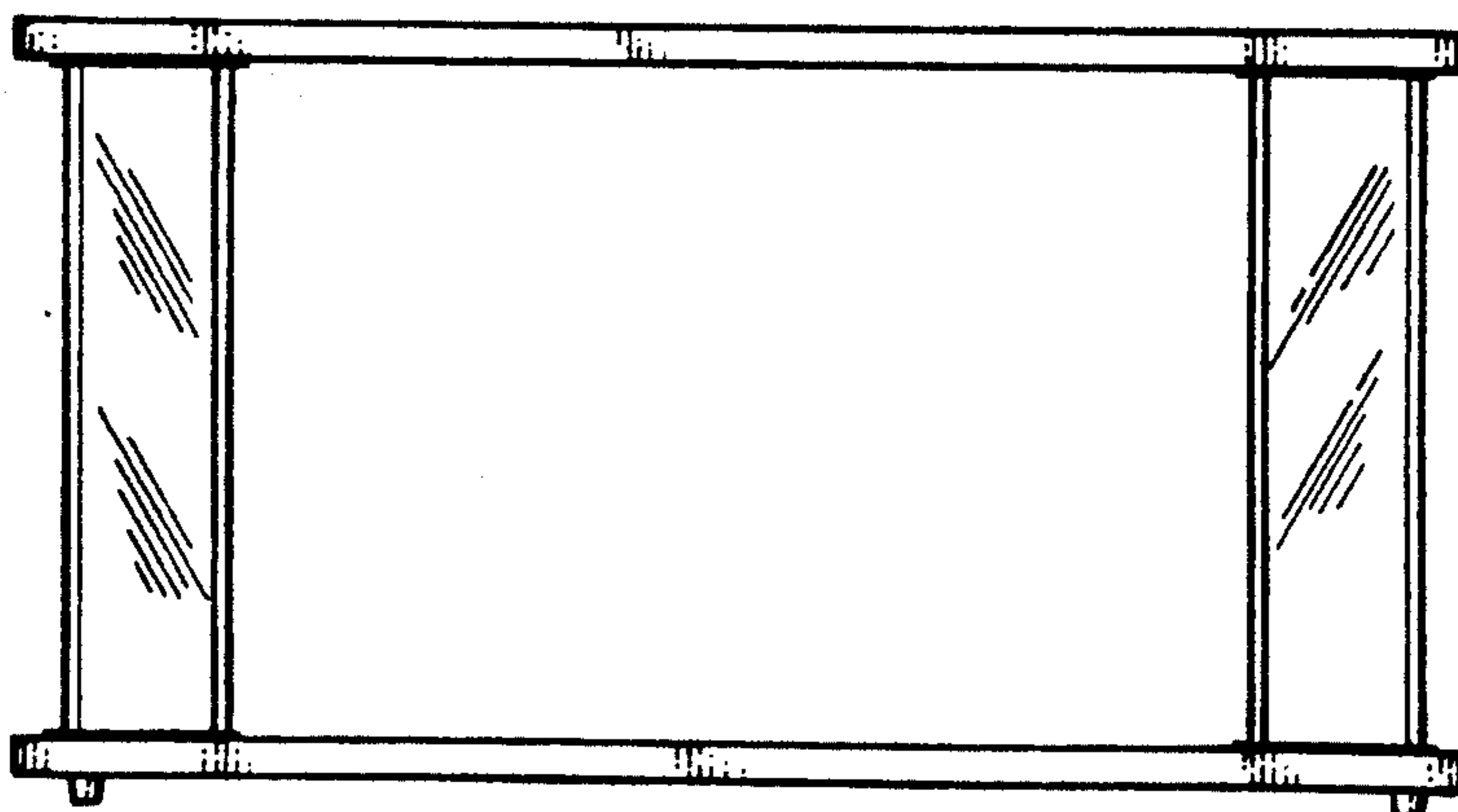


Fig. 10