



US00D335977S

United States Patent [19]

[11] Patent Number: **Des. 335,977**

Fleischer

[45] Date of Patent: **** Jun. 1, 1993**

[54] **WORK TABLE**

[75] Inventor: **Willy Fleischer**, Essen, Fed. Rep. of Germany

[73] Assignee: **Fleischer Büro-und EDV-Möbelsysteme GmbH & Co. KG**, Bochum, Fed. Rep. of Germany

[**] Term: **14 Years**

[21] Appl. No.: **537,743**

[22] Filed: **Jun. 13, 1990**

[30] **Foreign Application Priority Data**

Dec. 15, 1989 [DE] Fed. Rep. of Germany 8908636

[52] U.S. Cl. **D6/480; D6/430**

[58] Field of Search **D6/480, 482, 484, 486, D6/487, 488, 495-499, 429, 430, 366; 108/5, 6, 59, 60, 65, 144**

[56] **References Cited**

U.S. PATENT DOCUMENTS

- D. 266,468 10/1982 Ylänko D6/429 X
- D. 277,056 1/1985 Nicholson D6/429 X
- D. 284,532 7/1986 Vogt D6/480 X
- D. 288,750 3/1987 Friedman D6/429
- D. 320,320 10/1991 Van Ditshuzen D6/484 X

- D. 323,436 1/1992 Harrison D6/430 X
- 4,066,023 1/1978 Hughes D6/430 X
- 4,440,096 4/1984 Rice et al. D6/484 X

OTHER PUBLICATIONS

Inmac Catalog, p. 33 Item #E in lower right.
Krueger/GSA Furn. Catalog, Data Board 920, p. 8, terminal table at left.
DOMVS-Jan. 1982, p. 00, table at top.

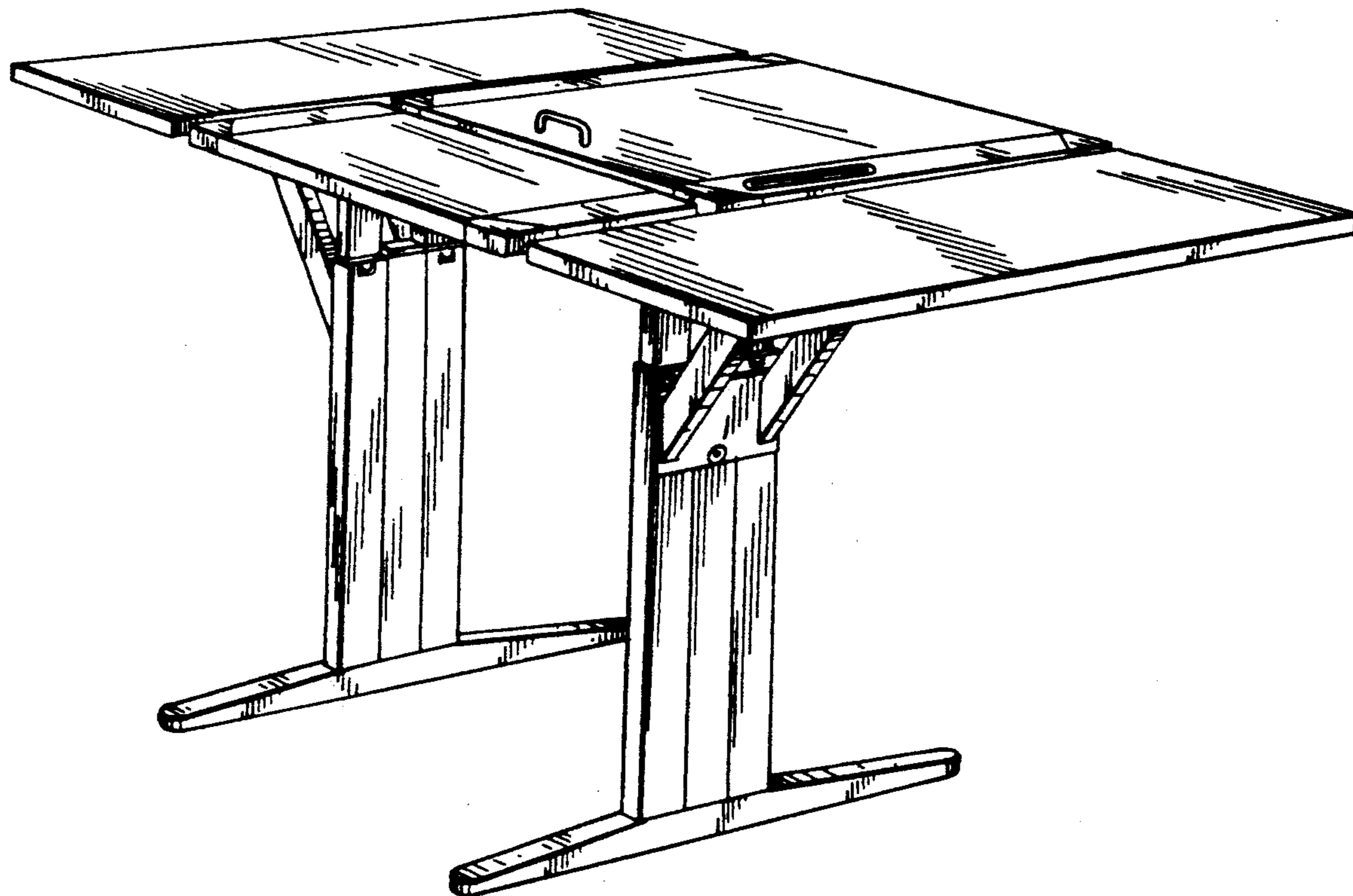
Primary Examiner—Nelson C. Holtje
Assistant Examiner—J. E. Seeger
Attorney, Agent, or Firm—Anderson Kill Olick & Oshinsky

[57] **CLAIM**

The ornamental design for a work table, as shown and described.

DESCRIPTION

FIG. 1 is a perspective view of a work table, showing my new design;
FIG. 2 is a front perspective view thereof;
FIG. 3 is a front perspective view, showing an alternate embodiment of my new design; and,
FIG. 4 is an enlarged fragmentary view, the broken lines being for environmental purposes only and forming no part of the claimed design.



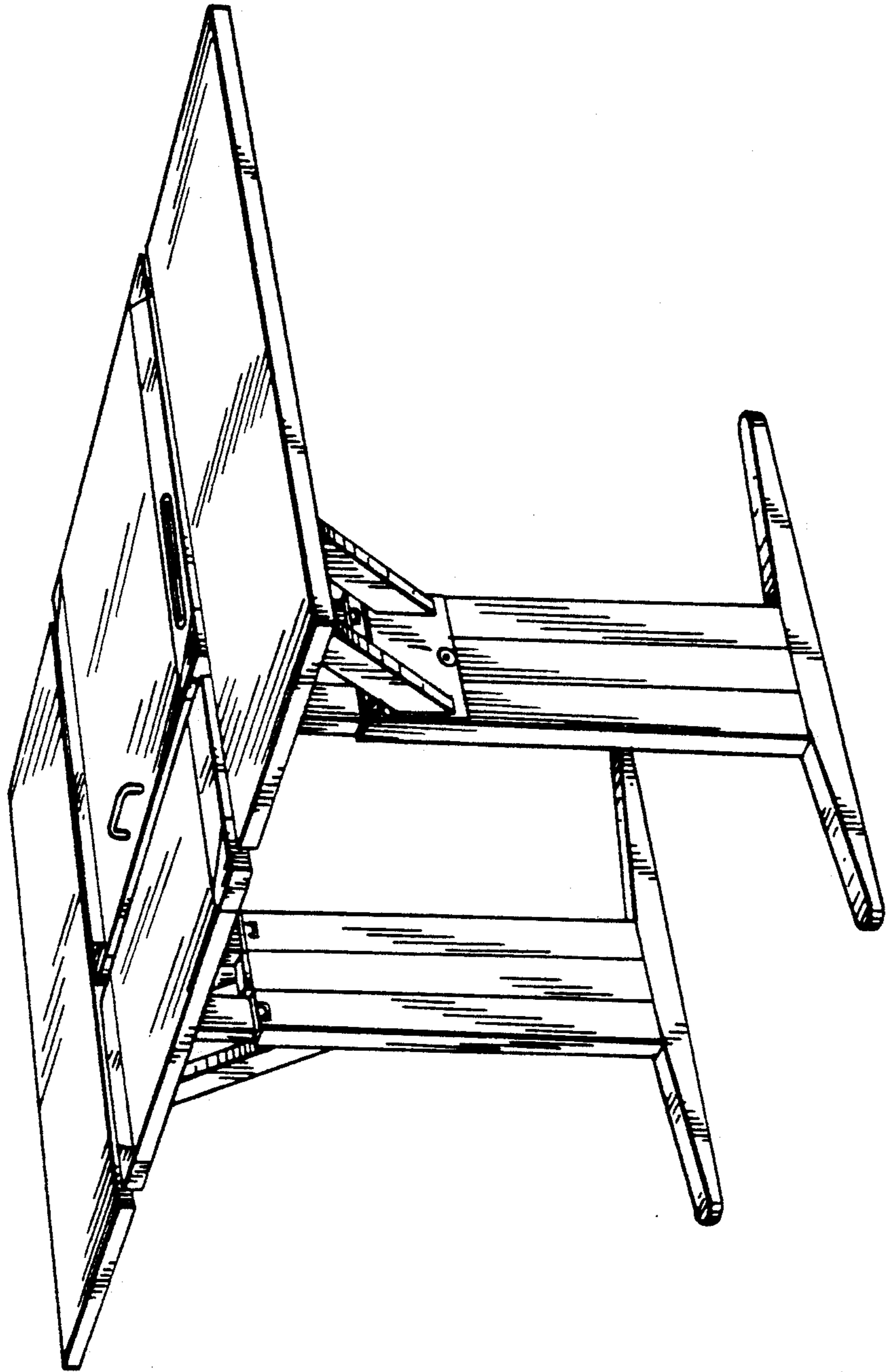


FIG. 1

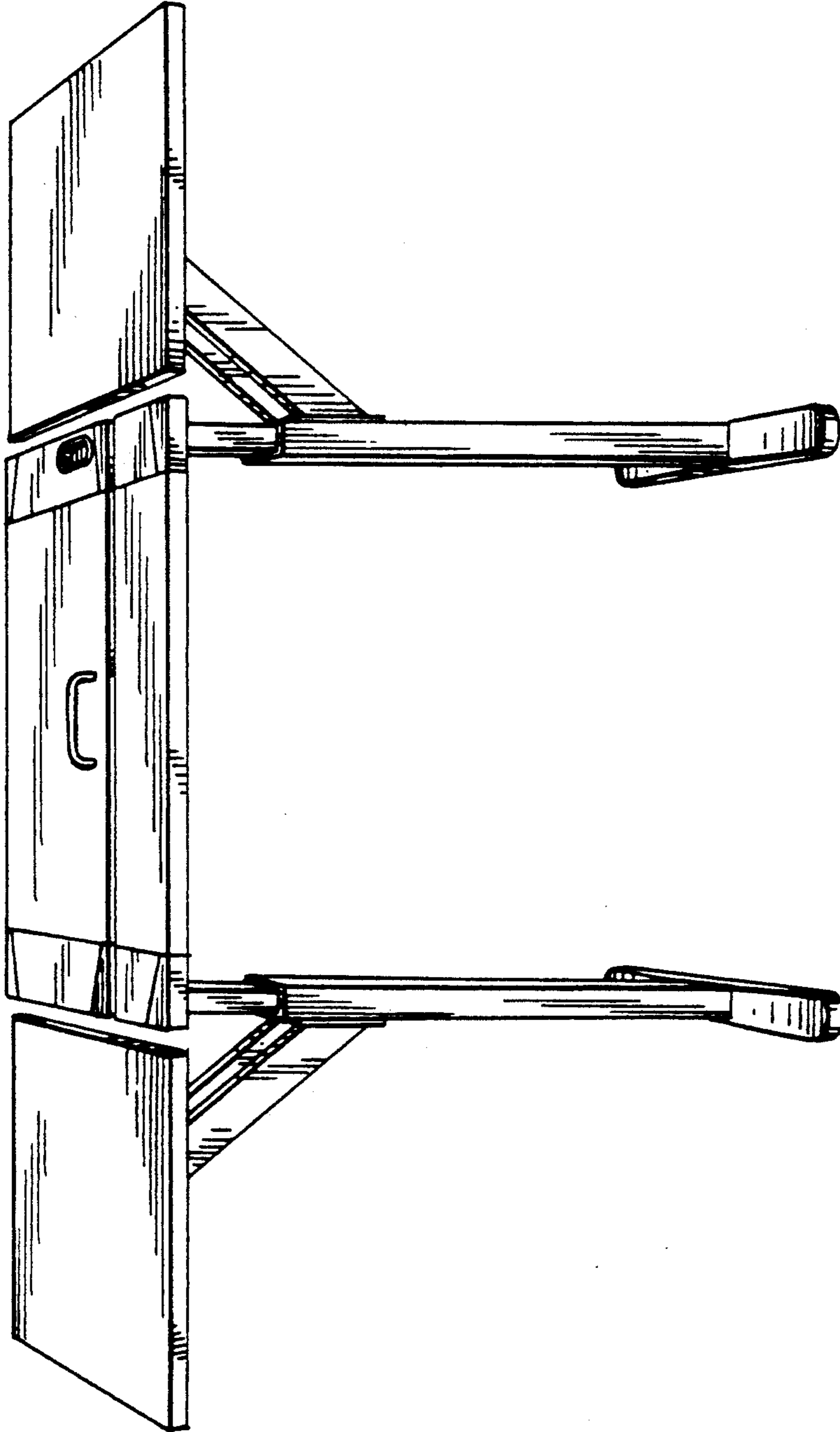


FIG. 2

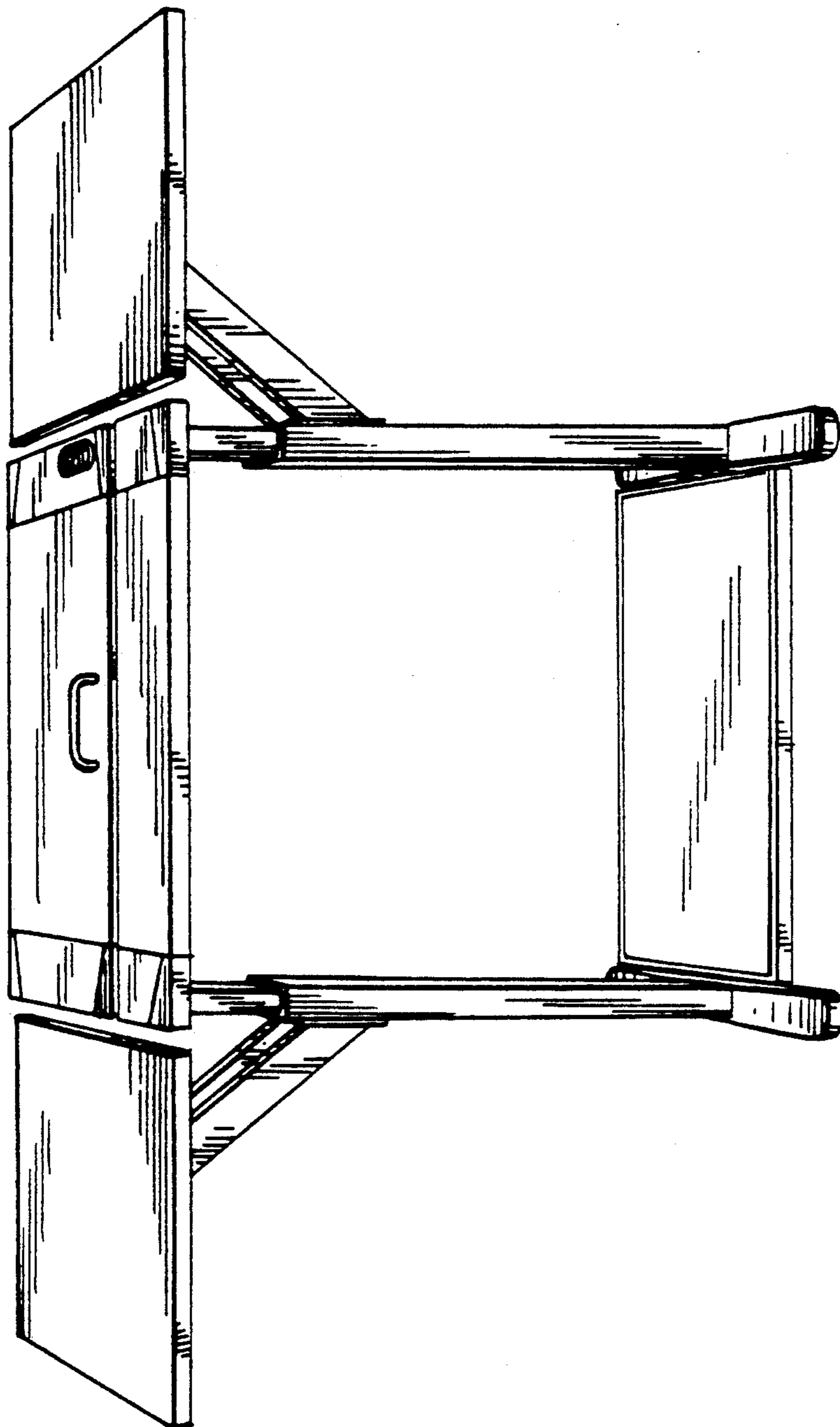


FIG. 3

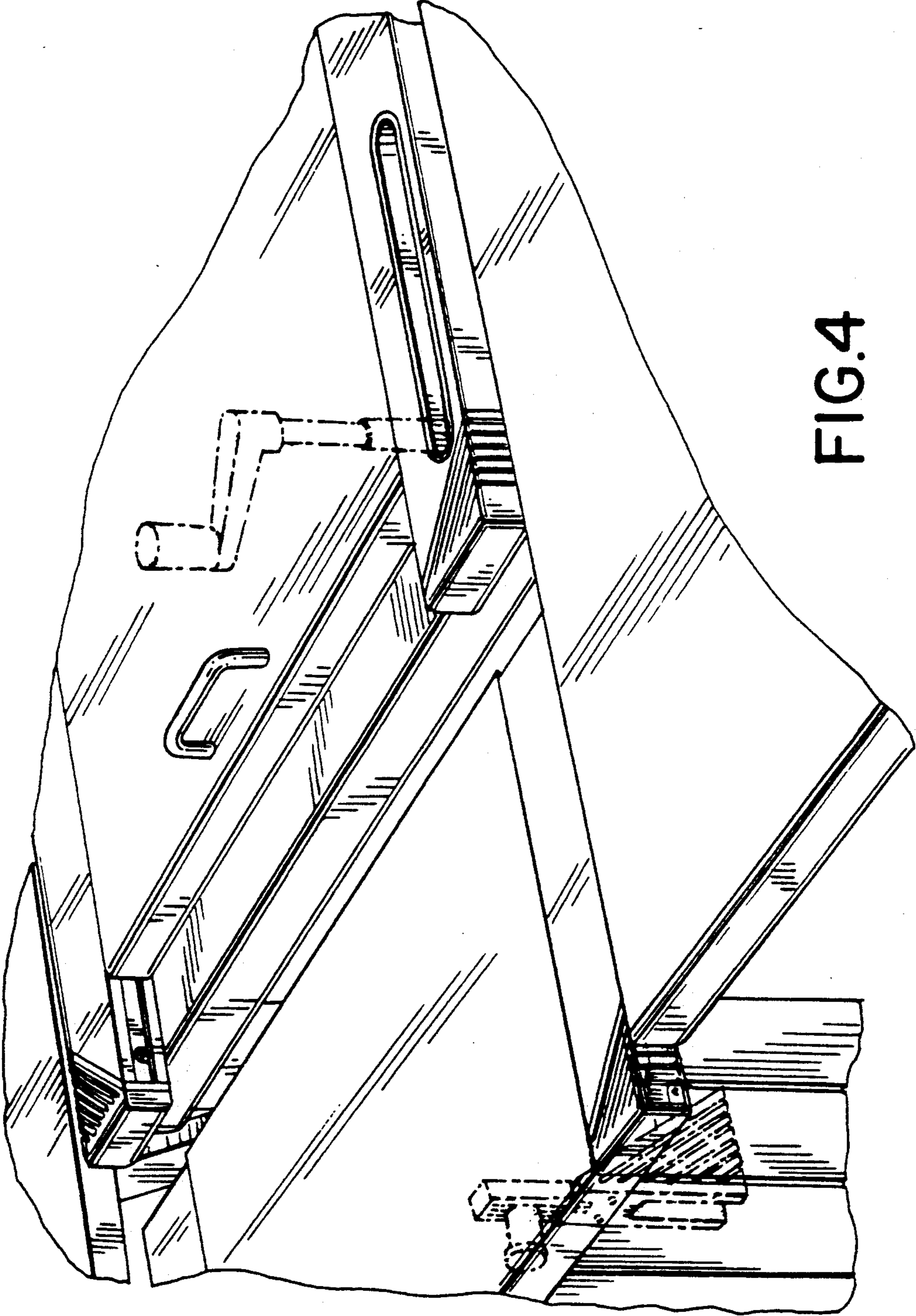


FIG.4