



US00D335976S

# United States Patent [19]

[11] Patent Number: **Des. 335,976**

**Brown**

[45] Date of Patent: **\*\* Jun. 1, 1993**

[54] **TOOLBOX DRAWER ORGANIZER**

4,611,720 9/1986 Staab ..... 211/60.1

[76] Inventor: **Thomas B. Brown**, 2304 E. Military, Fremont, Nebr. 68025

### FOREIGN PATENT DOCUMENTS

[\*\*] Term: **14 Years**

702647 6/1941 Fed. Rep. of Germany .  
829656 4/1949 Fed. Rep. of Germany .  
351129 2/1961 Switzerland ..... D99/34

[21] Appl. No.: **778,638**

*Primary Examiner*—Alan P. Douglas  
*Assistant Examiner*—Jeffrey Asch  
*Attorney, Agent, or Firm*—Terry M. Gernstein

[22] Filed: **Oct. 18, 1991**

[52] U.S. Cl. .... **D6/467**

[58] Field of Search ..... D6/449, 396, 407, 408,  
D6/466-468, 475, 476, 509-511; D99/34;  
211/13, 60.1, 69; 312/DIG. 33; D19/83, 85;  
D8/71; 206/564; D3/35, 105

### [57] CLAIM

The ornamental design for a toolbox drawer organizer, as shown and described.

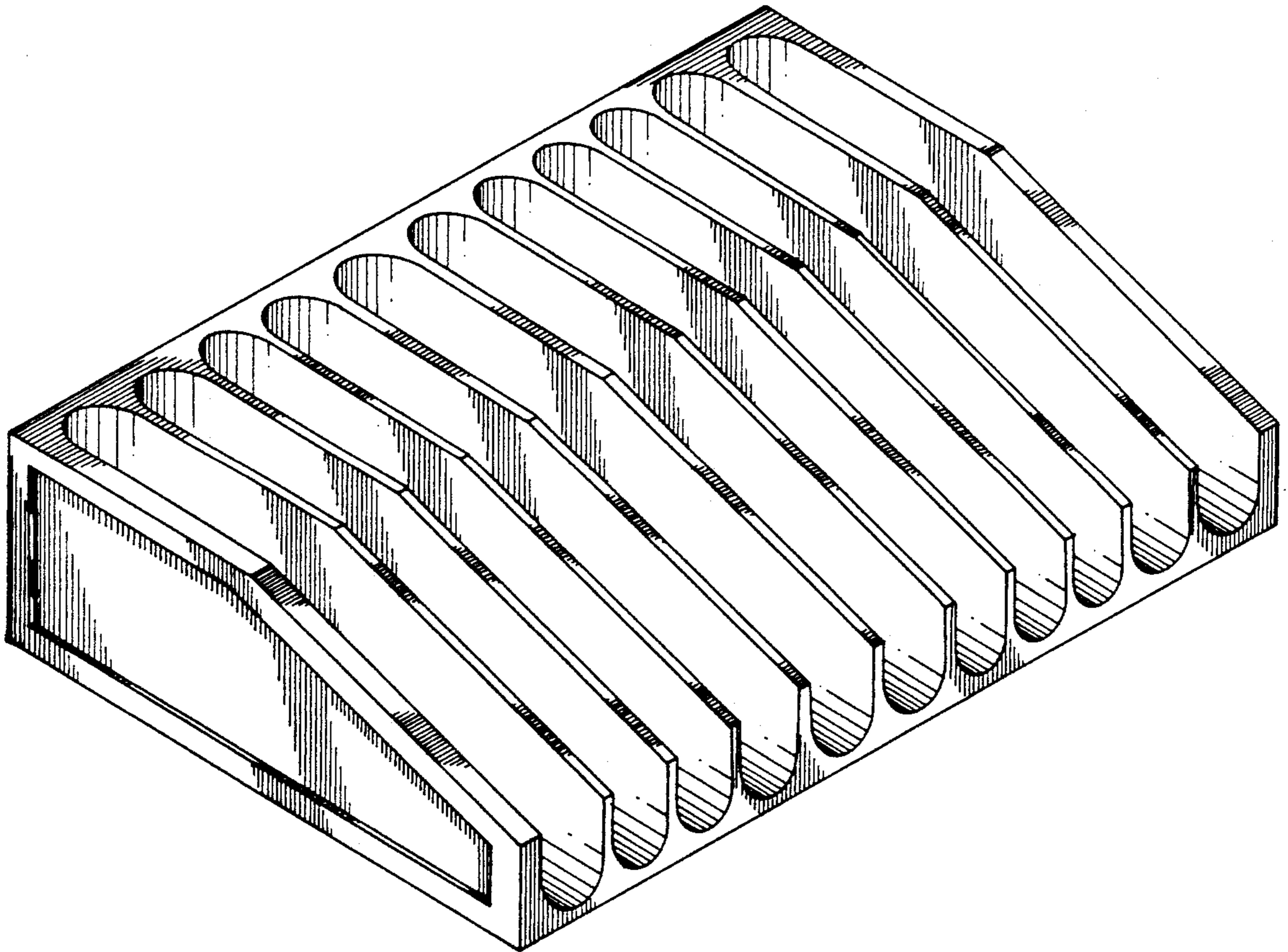
### [56] References Cited

#### U.S. PATENT DOCUMENTS

D. 275,058	8/1984	Flum .....	D6/467
D. 313,519	1/1991	Block .....	D6/467
D. 317,382	6/1991	Polvere .....	D6/408
2,665,808	1/1954	McAlister .	
3,107,467	10/1963	Gates .....	D99/34 X
3,703,326	11/1972	Riviere .....	206/882
4,577,914	3/1986	Stravitz .....	312/111

### DESCRIPTION

FIG. 1 is a perspective view of the toolbox drawer organizer embodying the design of the present invention;  
FIG. 2 is a front elevational view thereof;  
FIG. 3 is a rear elevational view thereof;  
FIG. 4 is an end elevational view thereof, the end opposite being a mirror image of the end shown in FIG. 4;  
FIG. 5 is a top plan view thereof; and,  
FIG. 6 is a bottom view thereof.



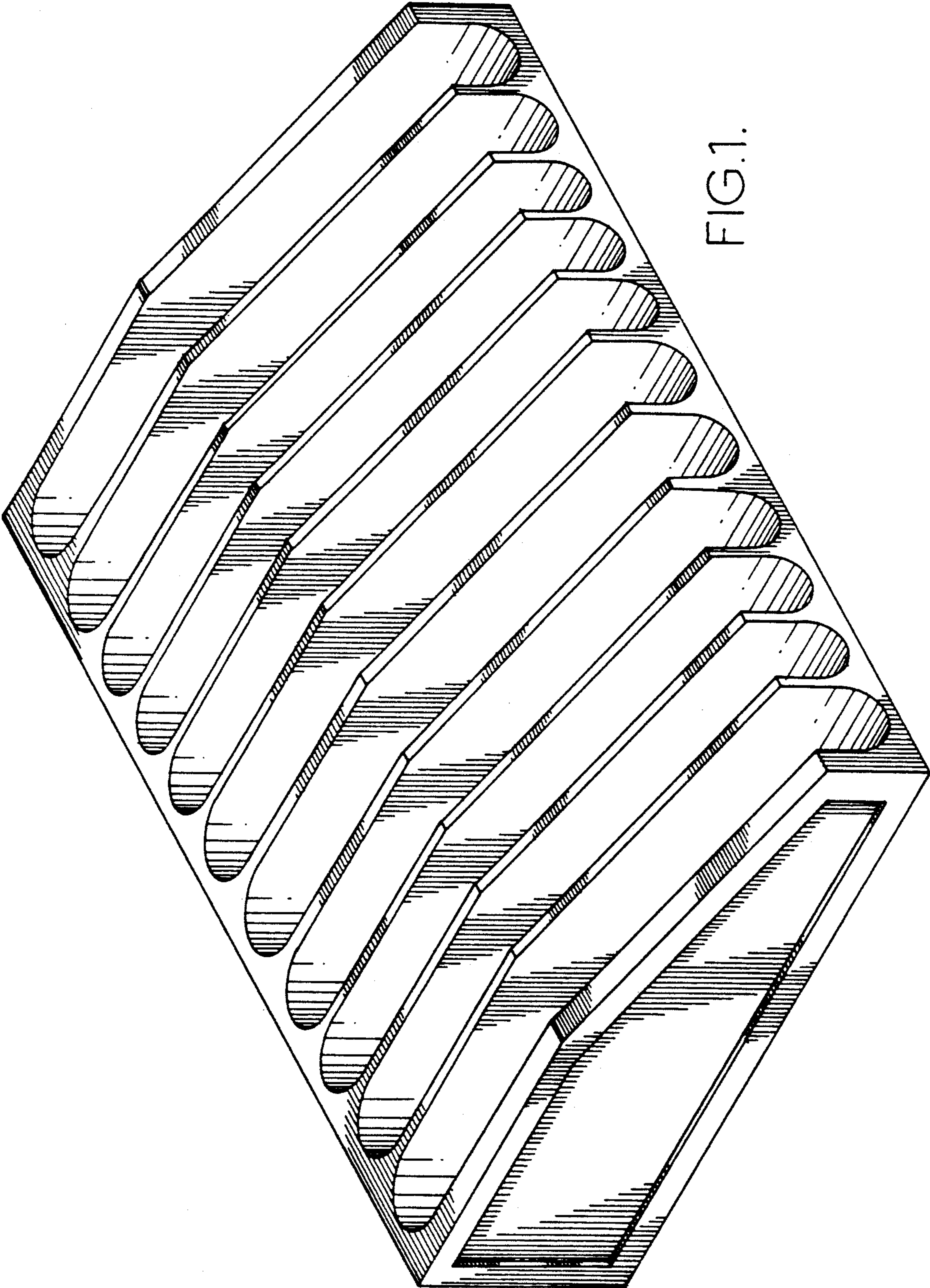


FIG.1.

FIG. 2.

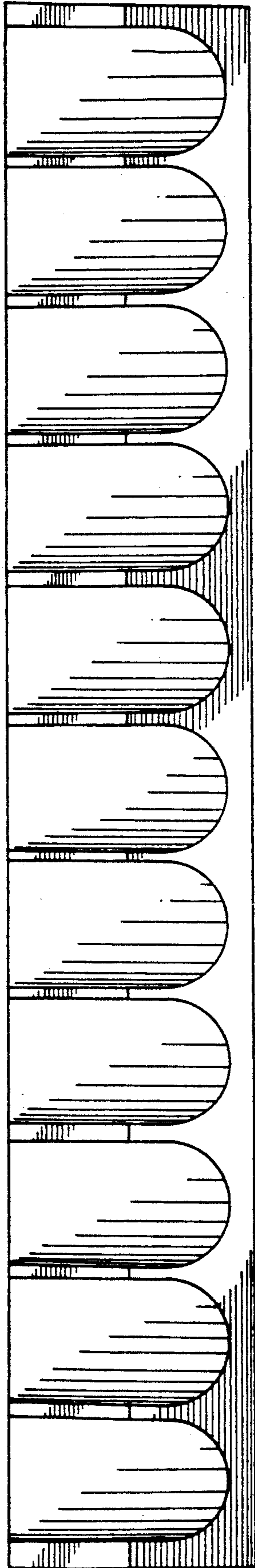
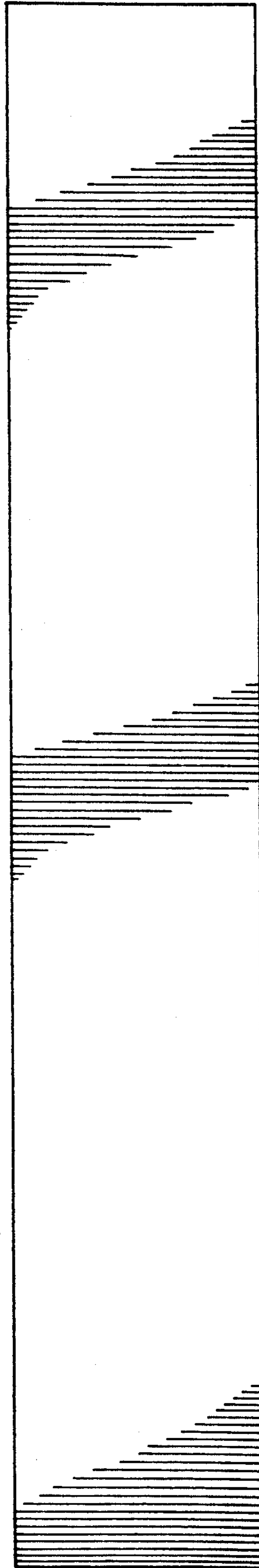


FIG. 3.



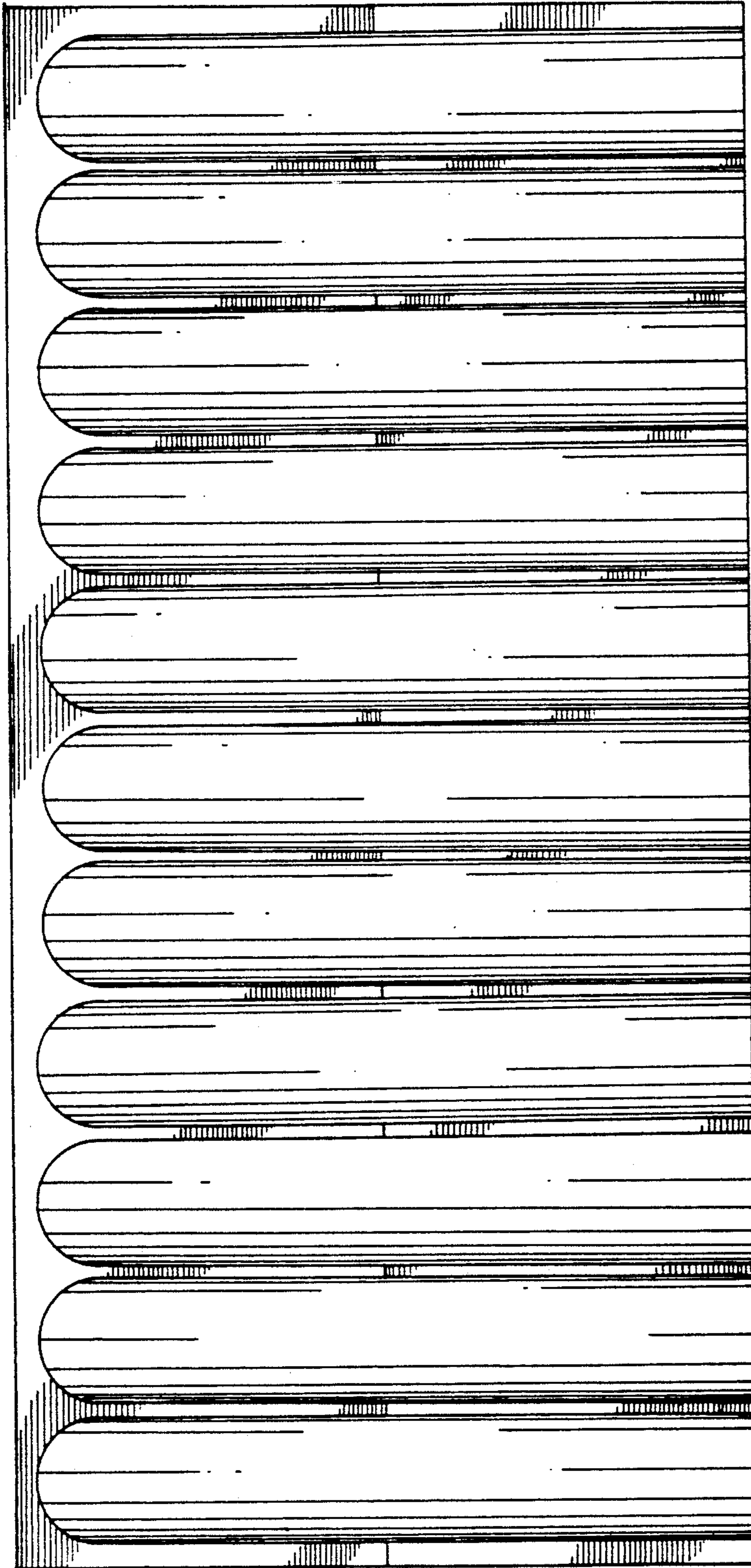


FIG. 5.

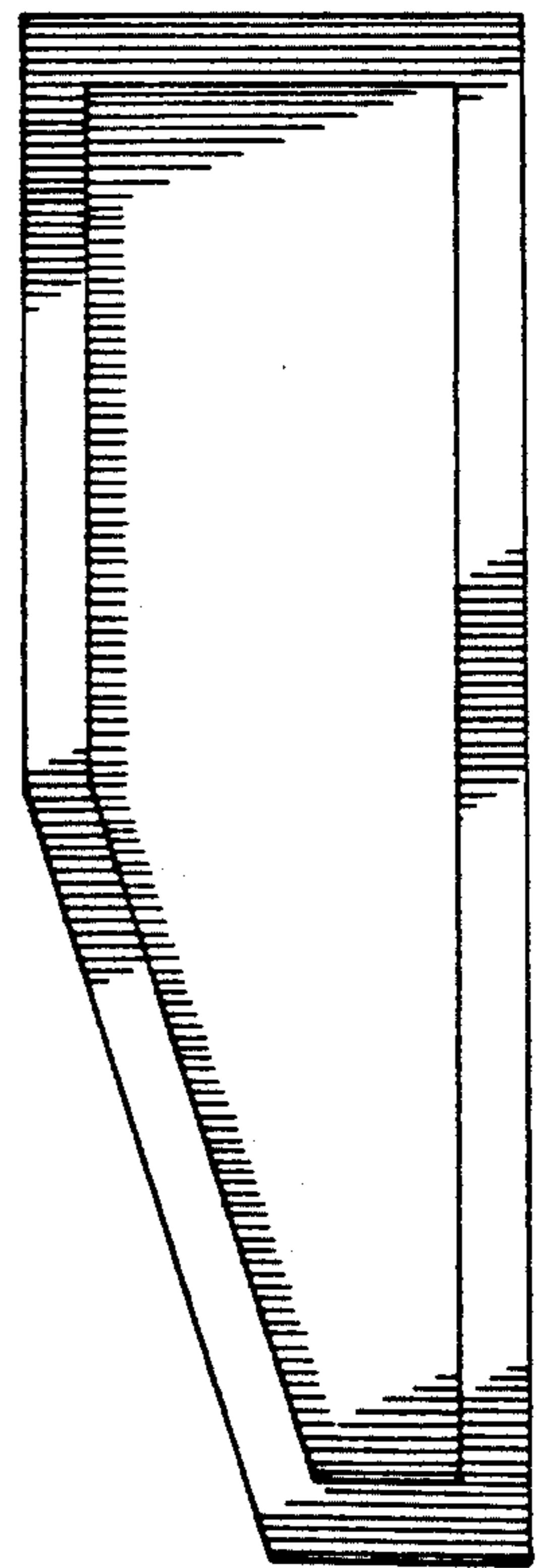


FIG. 4.

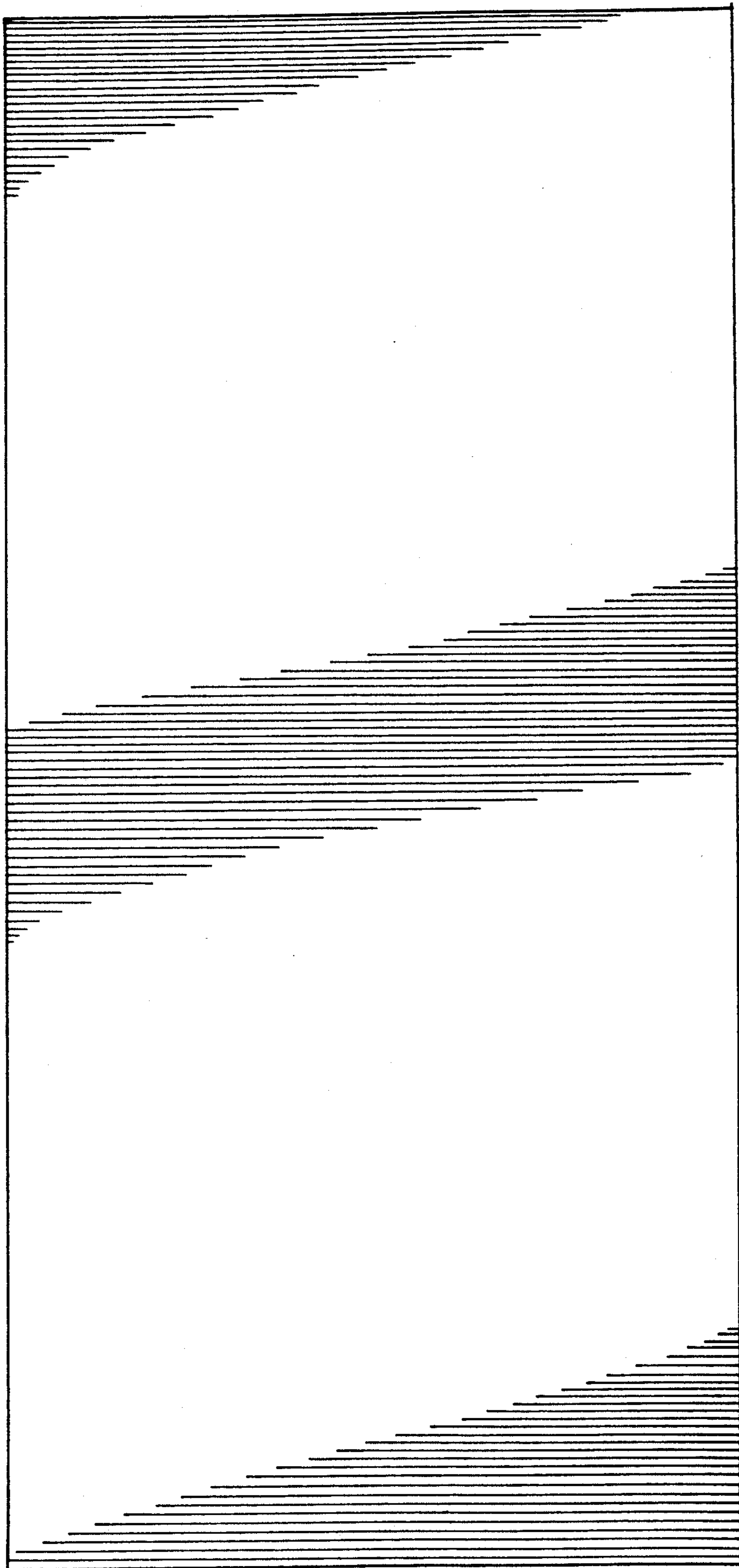


FIG. 6.