



US00D335966S

United States Patent [19]

[11] Patent Number: **Des. 335,966**

Schwartzkopf et al.

[45] Date of Patent: **** Jun. 1, 1993**

[54] STEP STOOL

[75] Inventors: **Robert A. Schwartzkopf**, Columbus, Ind.; **Roy L. Ruggles**, Americus, Ga.

[73] Assignee: **Cosco, Inc.**, Columbus, Ind.

[**] Term: **14 Years**

[21] Appl. No.: **483,006**

[22] Filed: **Feb. 22, 1990**

[52] U.S. Cl. **D6/350; D6/349**

[58] Field of Search **D6/349, 336, 350; 312/DIG. 33; D25/62, 65**

[56] References Cited

U.S. PATENT DOCUMENTS

D. 47,686	8/1915	Commons	D25/62 X
D. 181,793	12/1957	Hansen	D25/65
D. 194,399	1/1963	Demuth	D25/65 X
D. 198,679	7/1964	Cartner	D6/350
D. 276,861	12/1984	Keddie	D6/336
D. 288,719	3/1987	Feist	D25/65
D. 297,790	9/1988	Melvin	D6/350
D. 307,800	5/1990	Hradisky	D6/350 X
D. 320,702	10/1991	Dewing	D6/349
4,458,963	7/1984	Keddie	312/DIG. 33 X

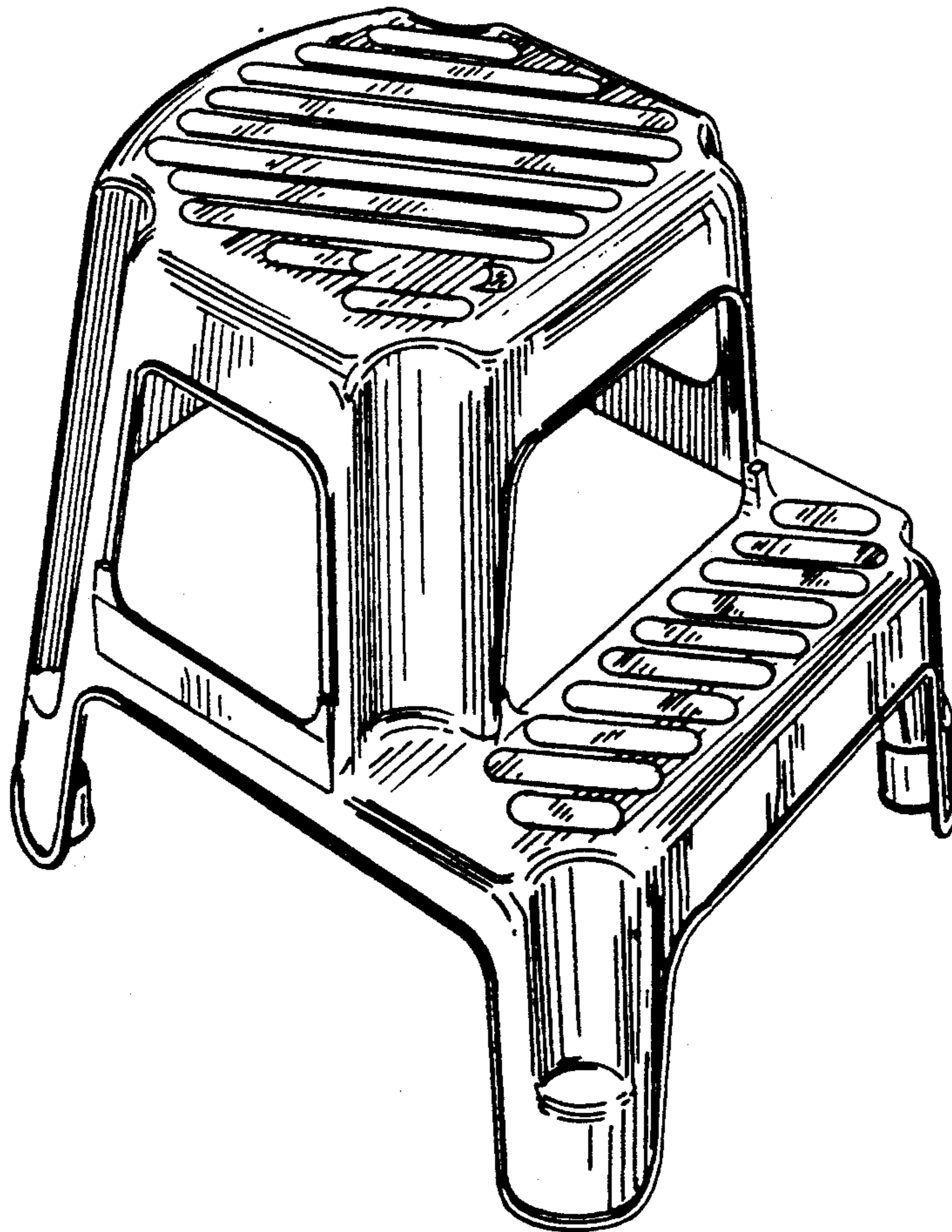
Primary Examiner—Alan P. Douglas
Assistant Examiner—Monica A. Hannon
Attorney, Agent, or Firm—Barnes & Thornburg

[57] CLAIM

The ornamental design for a step stool, as shown and described.

DESCRIPTION

FIG. 1 is a front elevational view of a step stool showing our new design;
FIG. 2 is a top plan view thereof;
FIG. 3 is a rear elevational view thereof;
FIG. 4 is a bottom plan view thereof;
FIG. 5 is a left side elevational view, the right side being a mirror image thereof;
FIG. 6 is a cross-sectional view of the tread surfaces of FIG. 2 thereof;
FIG. 7 is a top plan view, of a second embodiment, the difference being in the removal of the diagonal tread strips on each step thereof;
FIG. 8 is a bottom plan view, the difference being in the removal of the rib structure under each step thereof;
and,
FIG. 9 is a perspective view of the first embodiment of FIGS. 1-5.



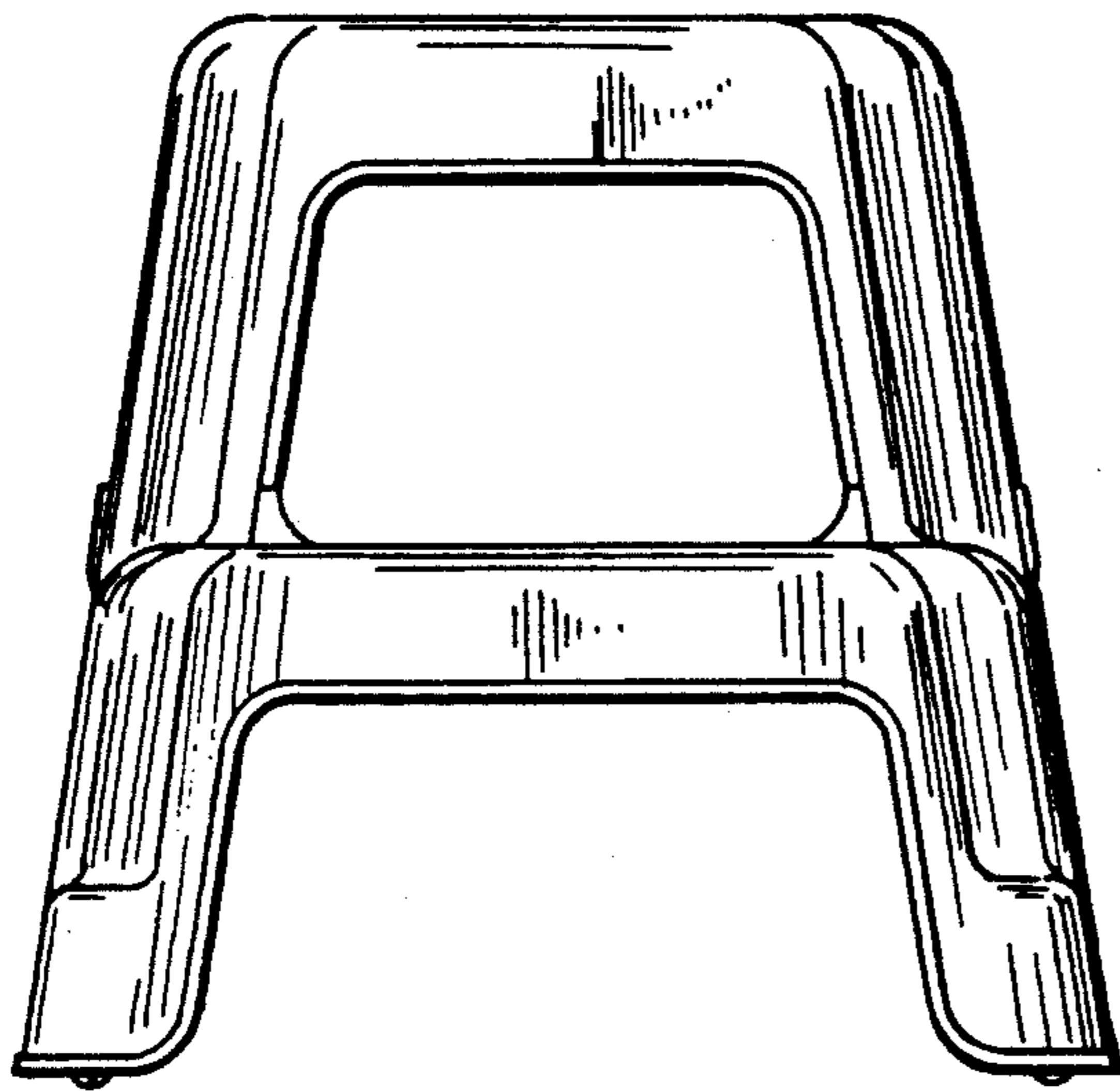


FIG. 1

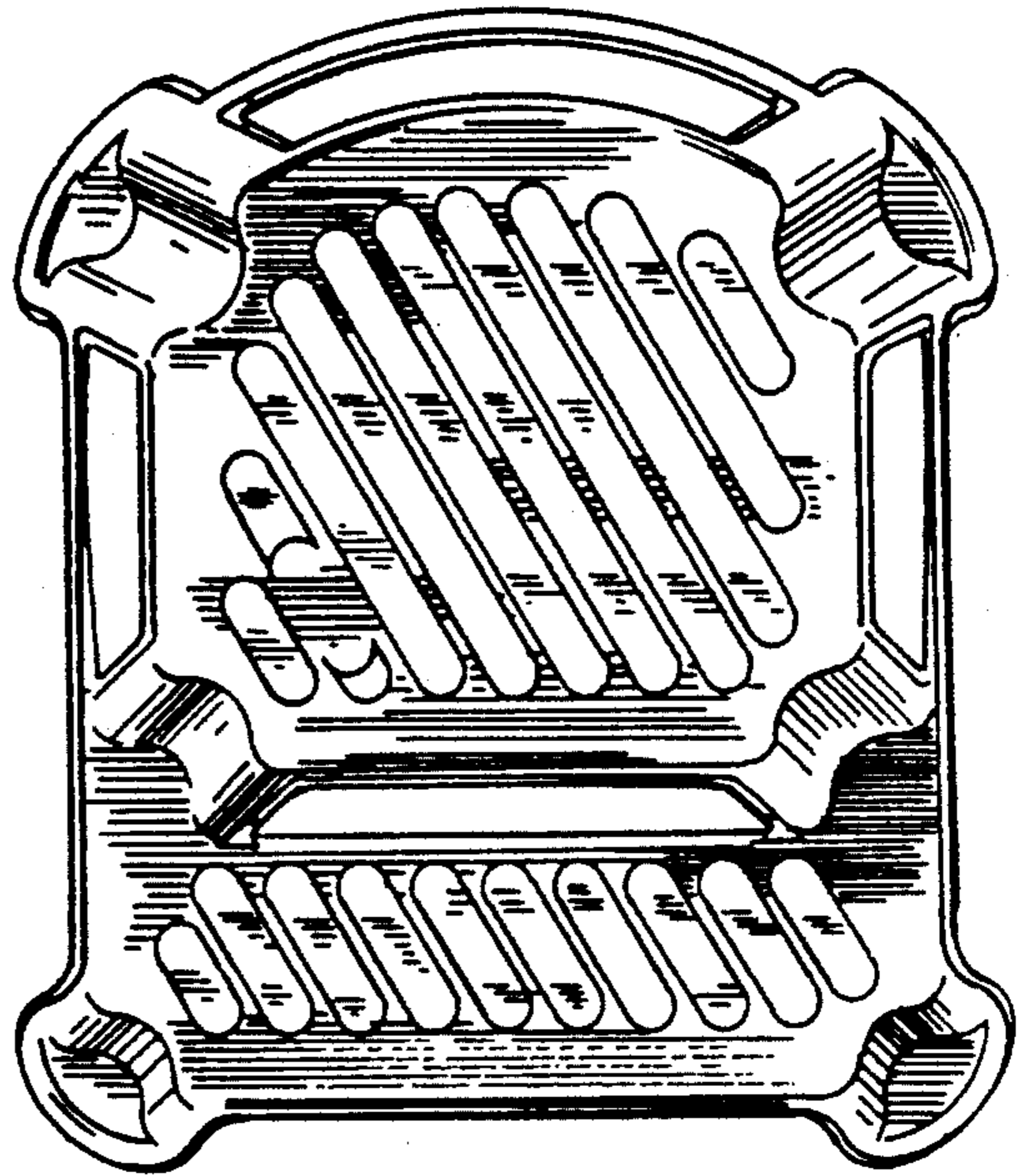


FIG. 2

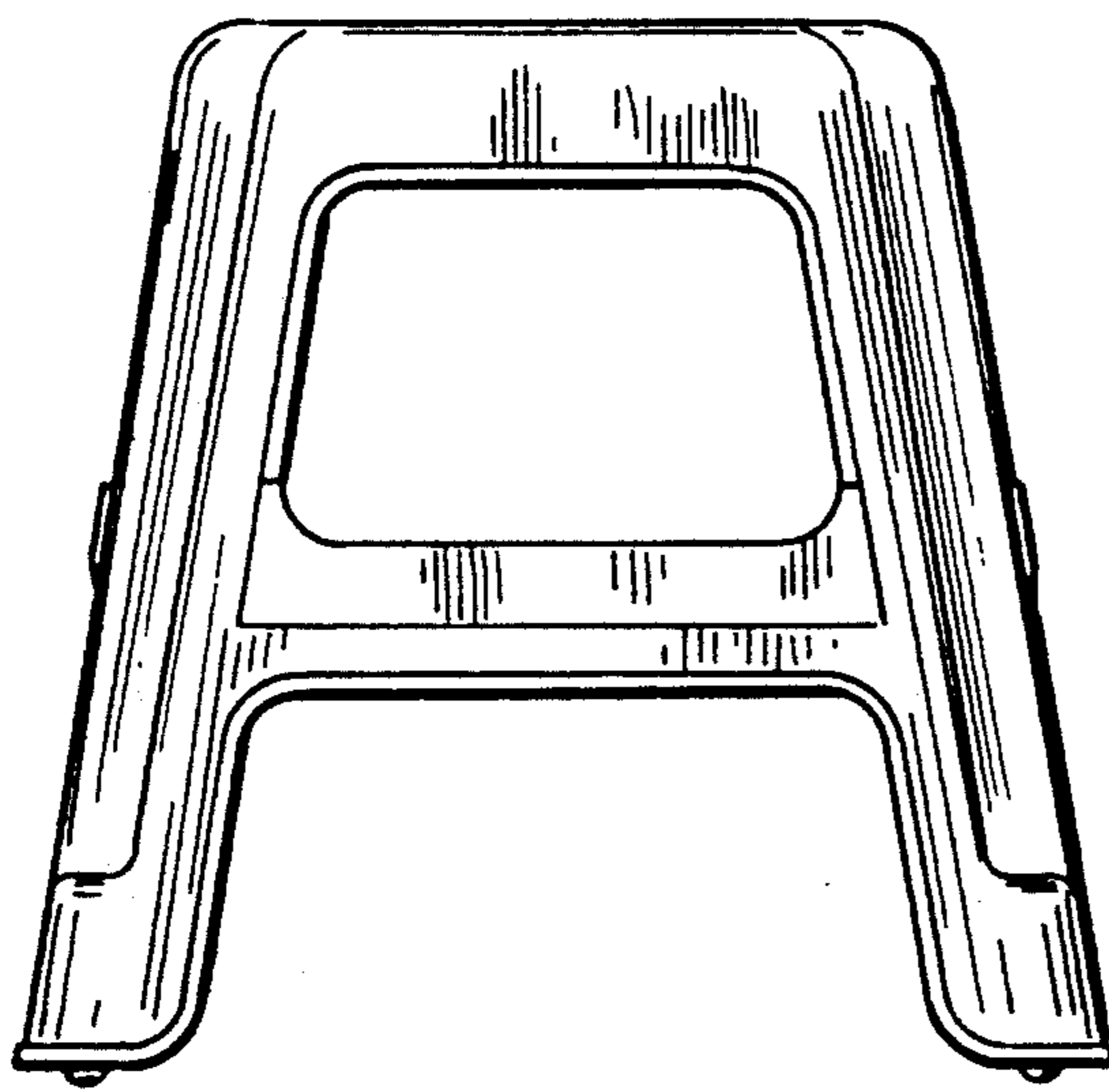


FIG. 3

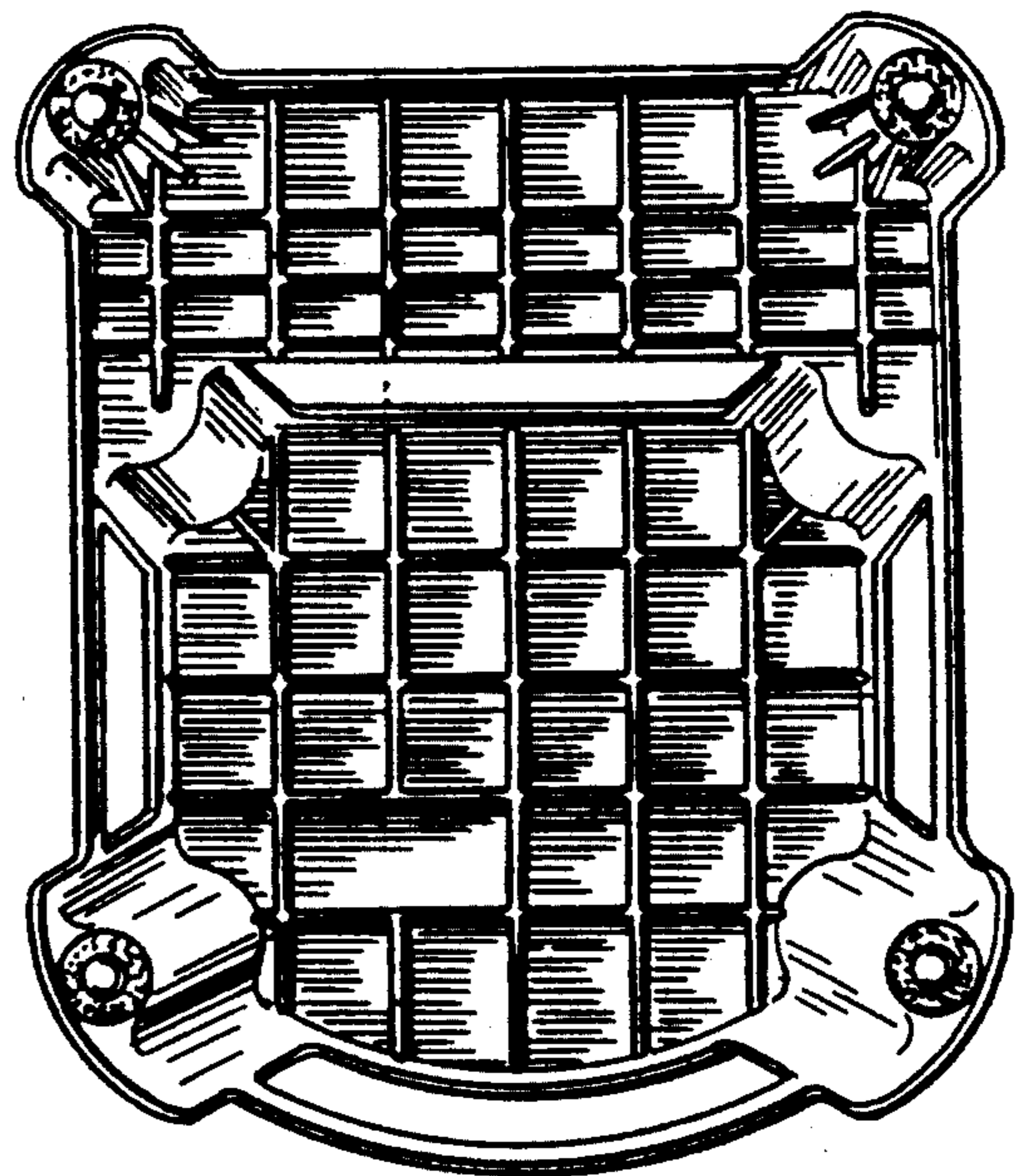


FIG. 4

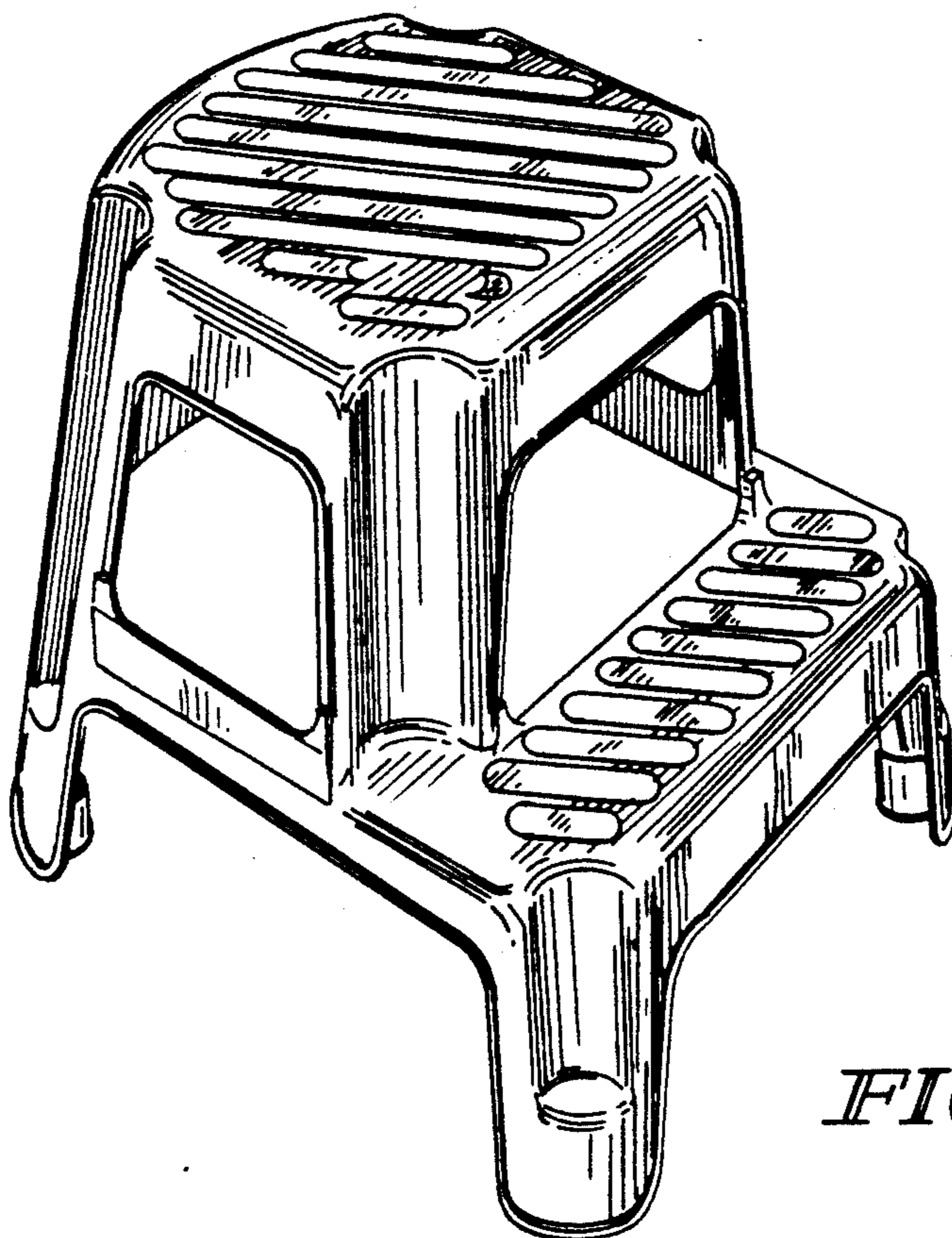


FIG. 9

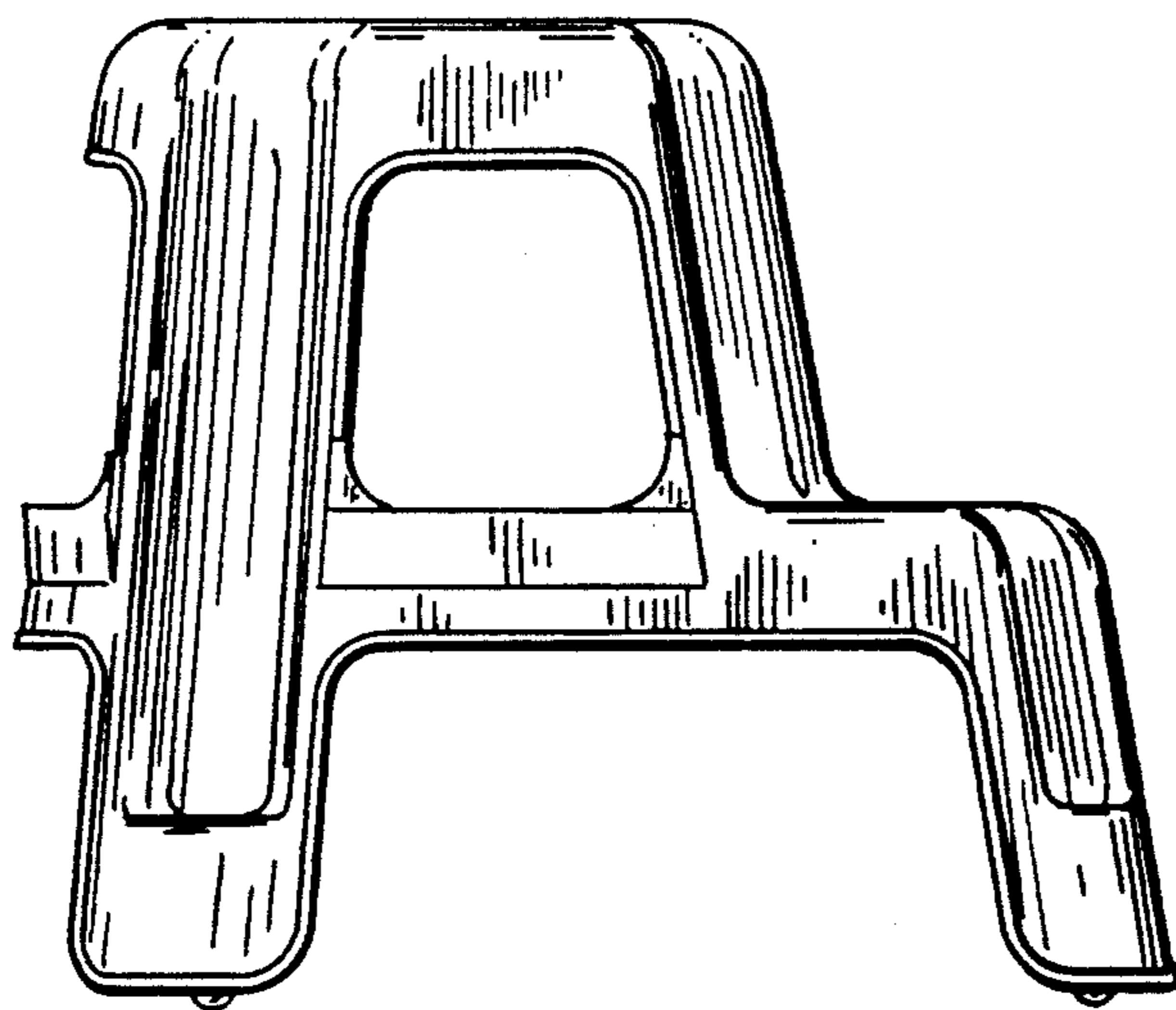


FIG. 5



FIG. 6

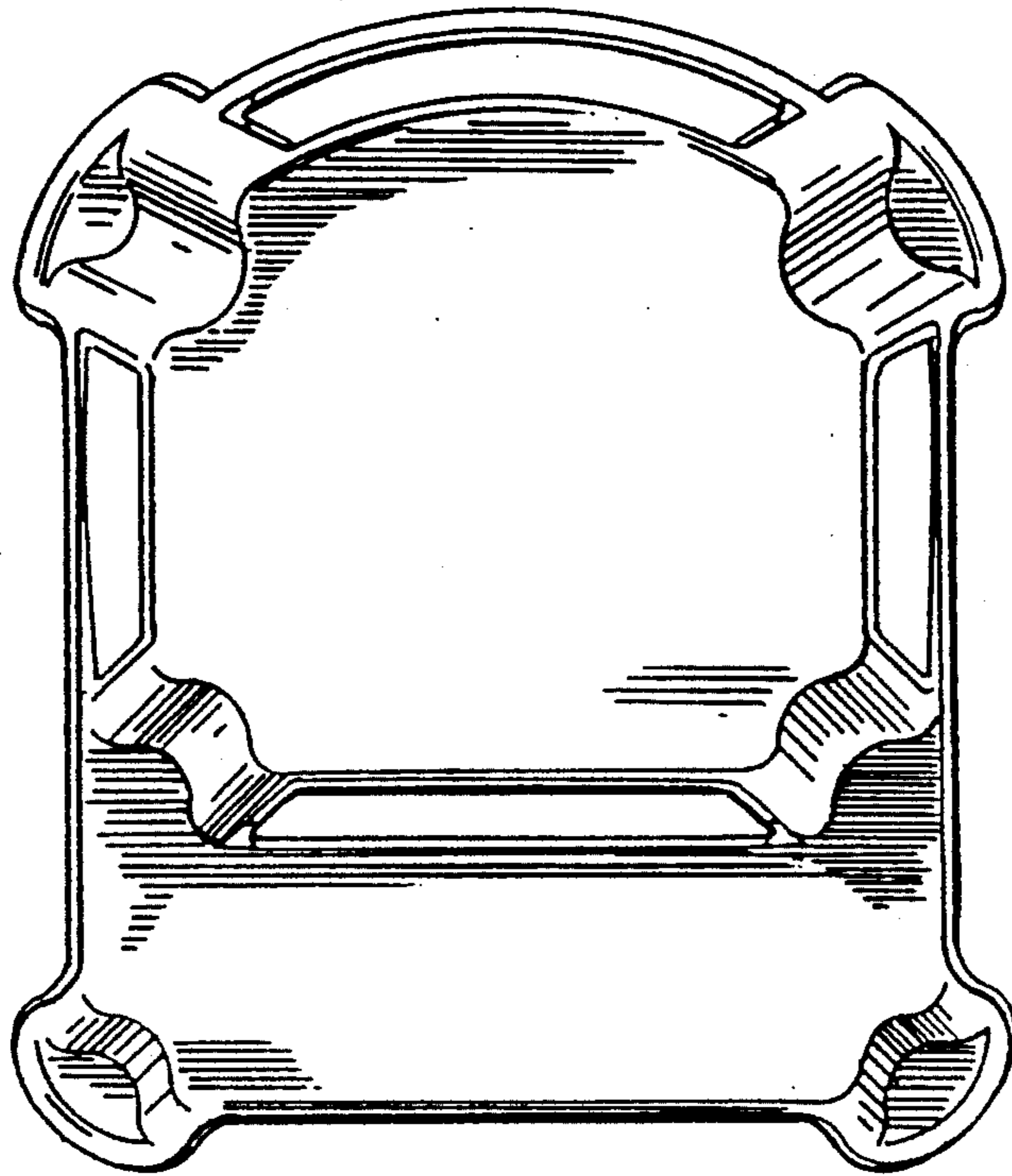


FIG. 7

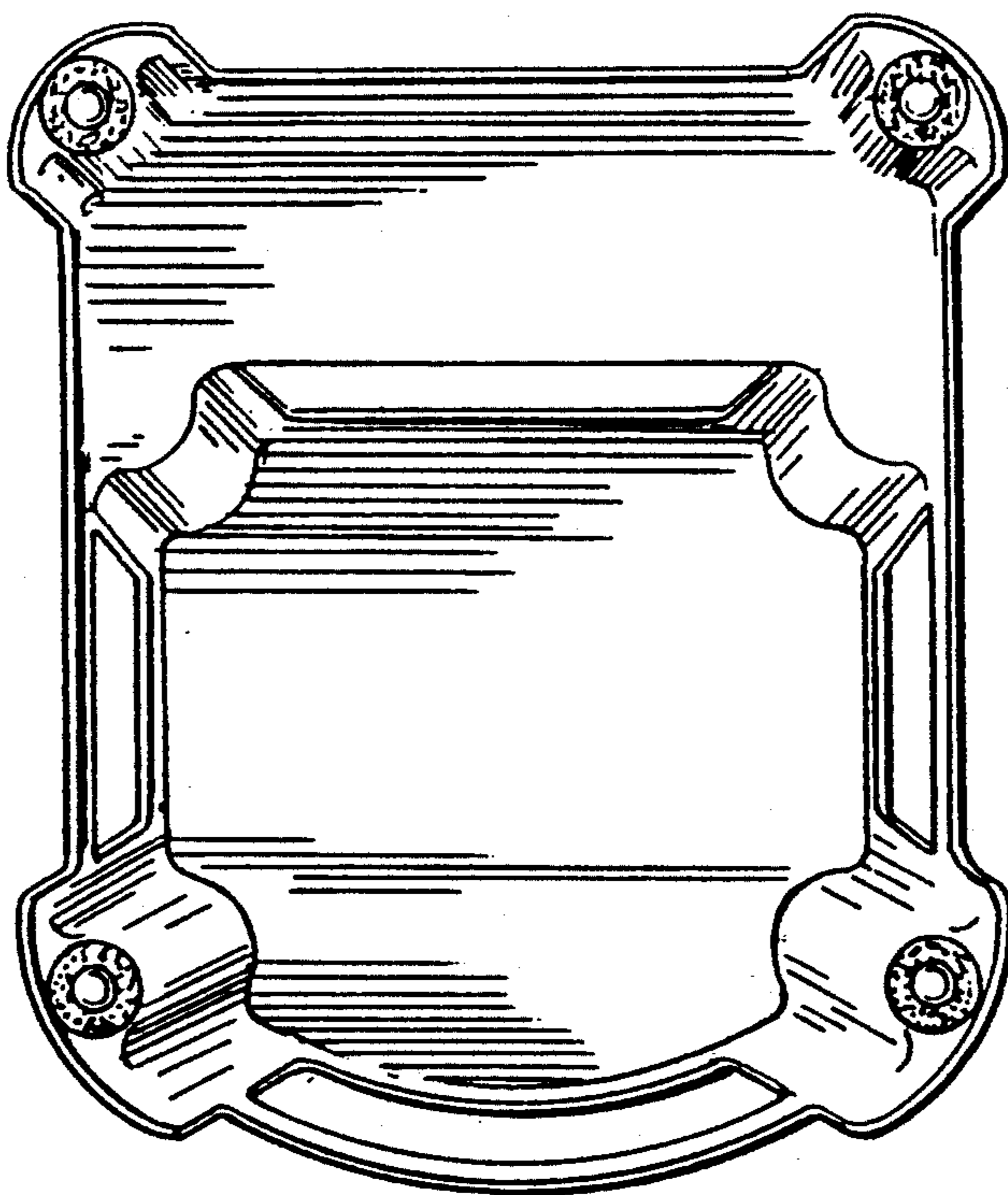


FIG. 8