



US00D335965S

# United States Patent [19]

[11] Patent Number: **Des. 335,965**

Spring

[45] Date of Patent: **\*\* Jun. 1, 1993**

[54] HEATED INFANT CAR SEAT WITH FANS AND COVER

[76] Inventor: **Donald W. Spring**, 4523 Burdette, Omaha, Nebr. 68104

[\*\*] Term: **14 Years**

[21] Appl. No.: **567,345**

[22] Filed: **Aug. 14, 1990**

[52] U.S. Cl. .... **D6/333**

[58] Field of Search ..... **D6/333, 390, 335; D23/278, 281; 297/250, 487, 488**

[56] **References Cited**

**U.S. PATENT DOCUMENTS**

D. 295,276	4/1988	Brown et al. ....	D6/333 X
3,034,132	5/1962	Landsberger .	
3,096,917	7/1963	Gudiksen .....	D6/333 X
3,493,976	2/1970	Baker .....	D23/278 X
3,854,156	12/1974	Williams .	
4,761,032	8/1988	Sanchez .	
4,790,593	12/1988	Davalos et al. ....	297/250
4,834,420	5/1989	Sankrithi et al. ....	297/250 X
4,998,307	3/1991	Cone .....	297/250 X
5,143,420	9/1992	Switlik .....	297/488 X

**OTHER PUBLICATIONS**

*American Hospital Supply Corp.*, Feb. 1, 1955, "Tomac Infanette Style SDS", bottom rt. corner of page. Disclosure Document #258,514 filed Jul. 23, 1990.

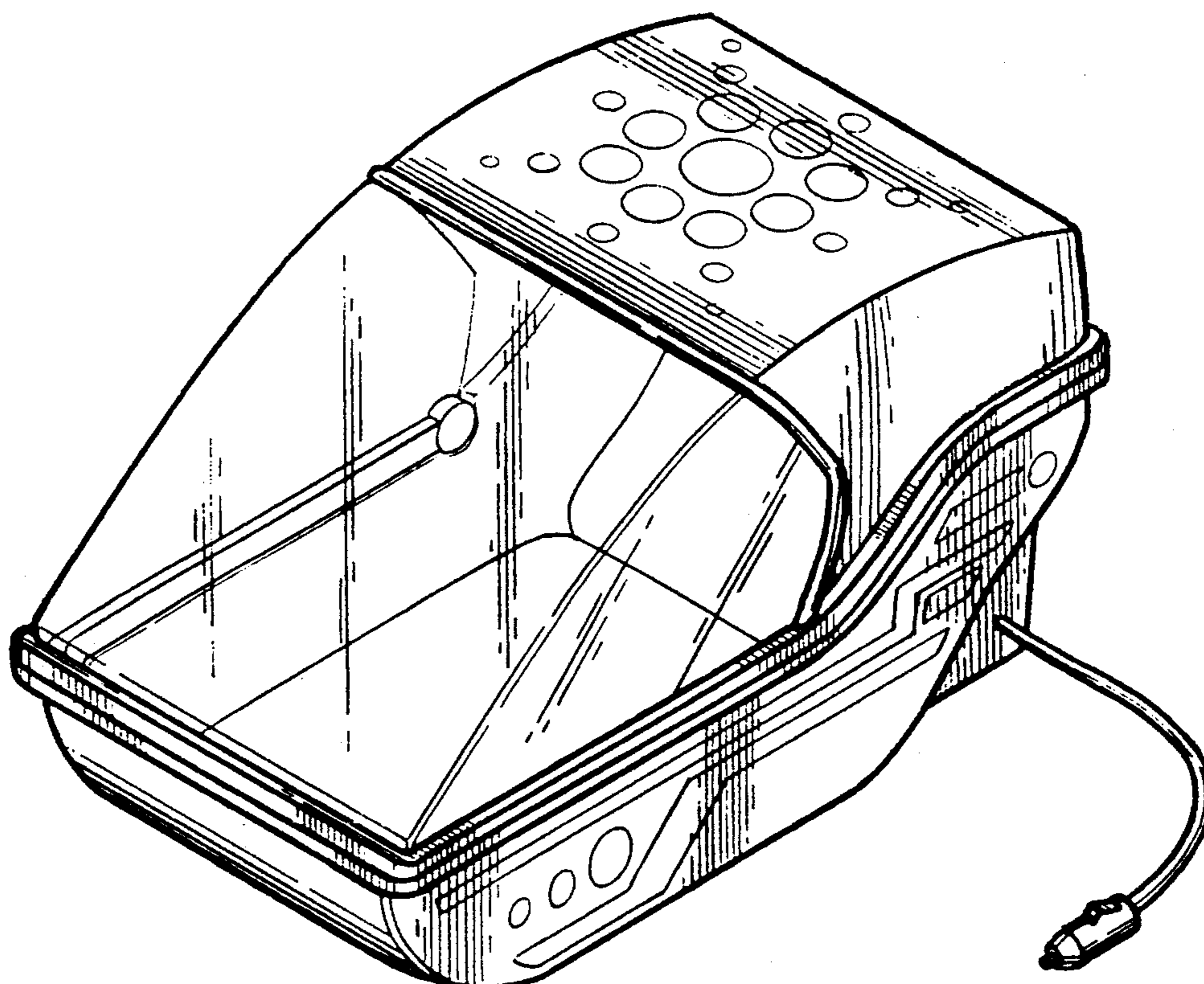
*Primary Examiner*—Alan P. Douglas  
*Assistant Examiner*—Monica A. Hannon  
*Attorney, Agent, or Firm*—Terry M. Gernstein

[57] **CLAIM**

The ornamental design for a heated infant car seat with fans and cover, as shown and described.

**DESCRIPTION**

FIG. 1 is a perspective view of the heated infant car seat with fans and cover embodying the design of the present invention;  
FIG. 2 is an exploded perspective top, front and right side view of the heated infant car seat with fans and cover embodying the design of the present invention, the fan being located in the right side;  
FIG. 3 is a front end elevational view thereof;  
FIG. 4 is a rear end elevational view thereof;  
FIG. 5 is a side elevational view thereof;  
FIG. 6 is a side elevational view thereof;  
FIG. 7 is a top plan view thereof; and,  
FIG. 8 is a bottom view thereof.



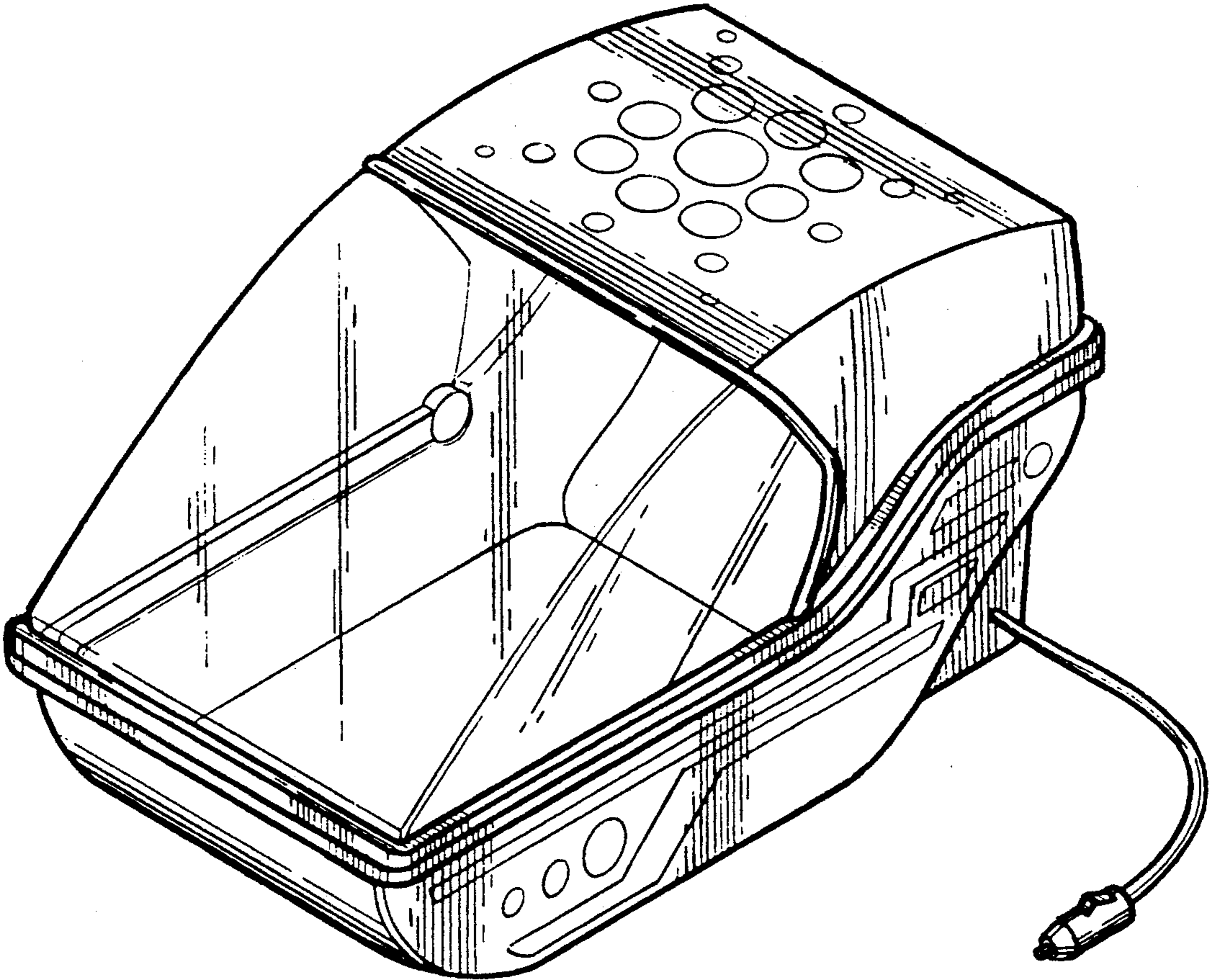


FIG. 1

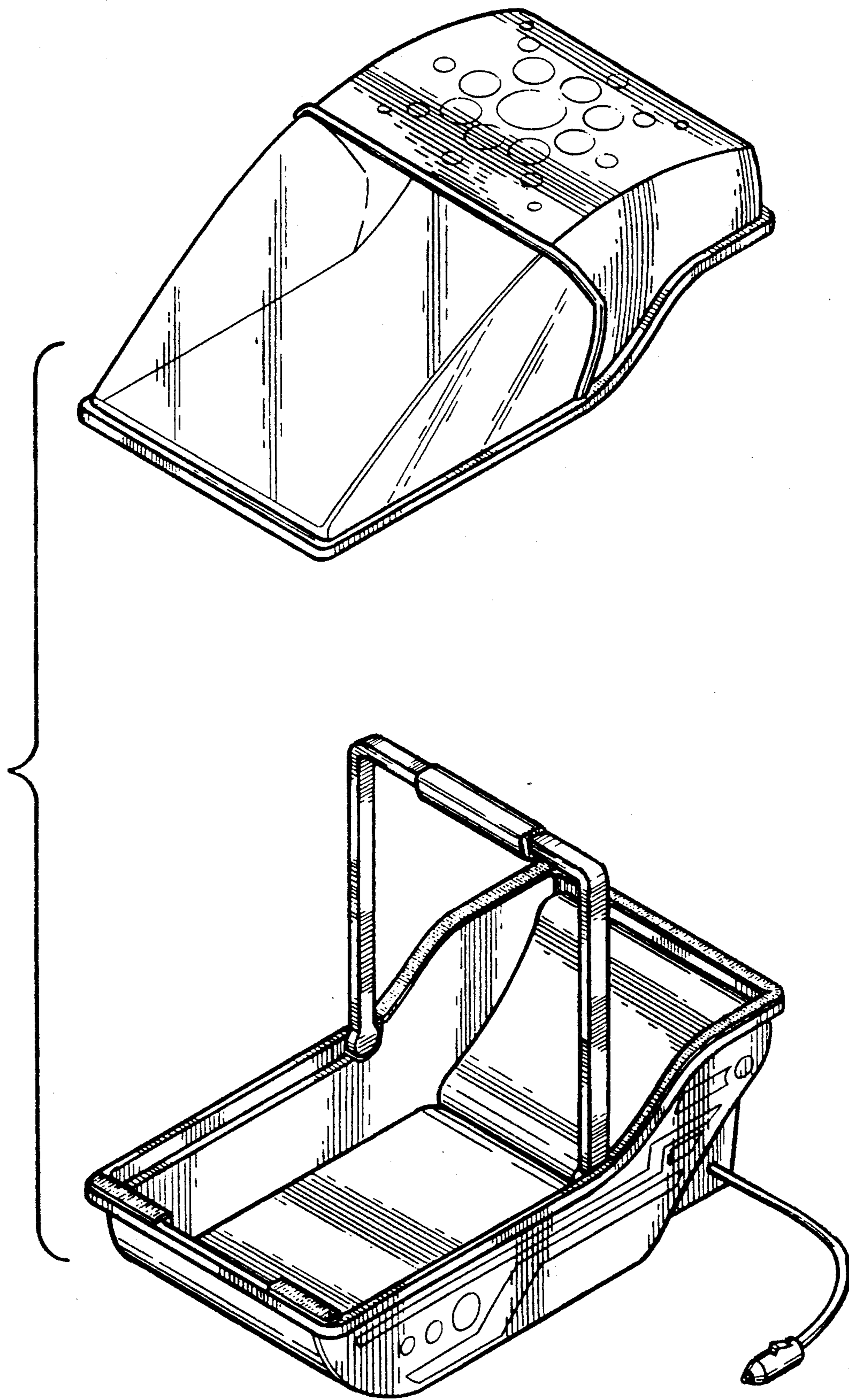


FIG. 2

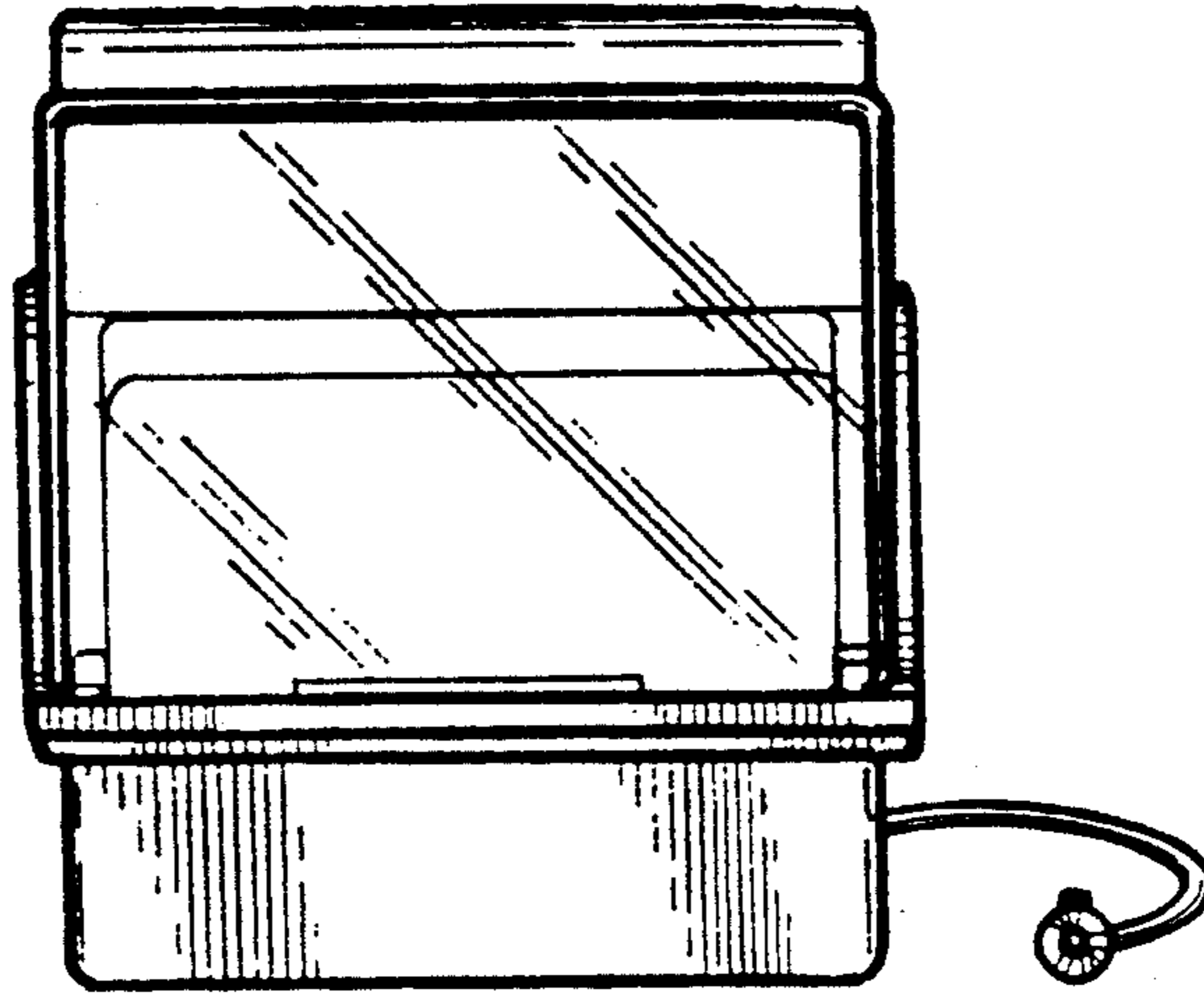


FIG. 3

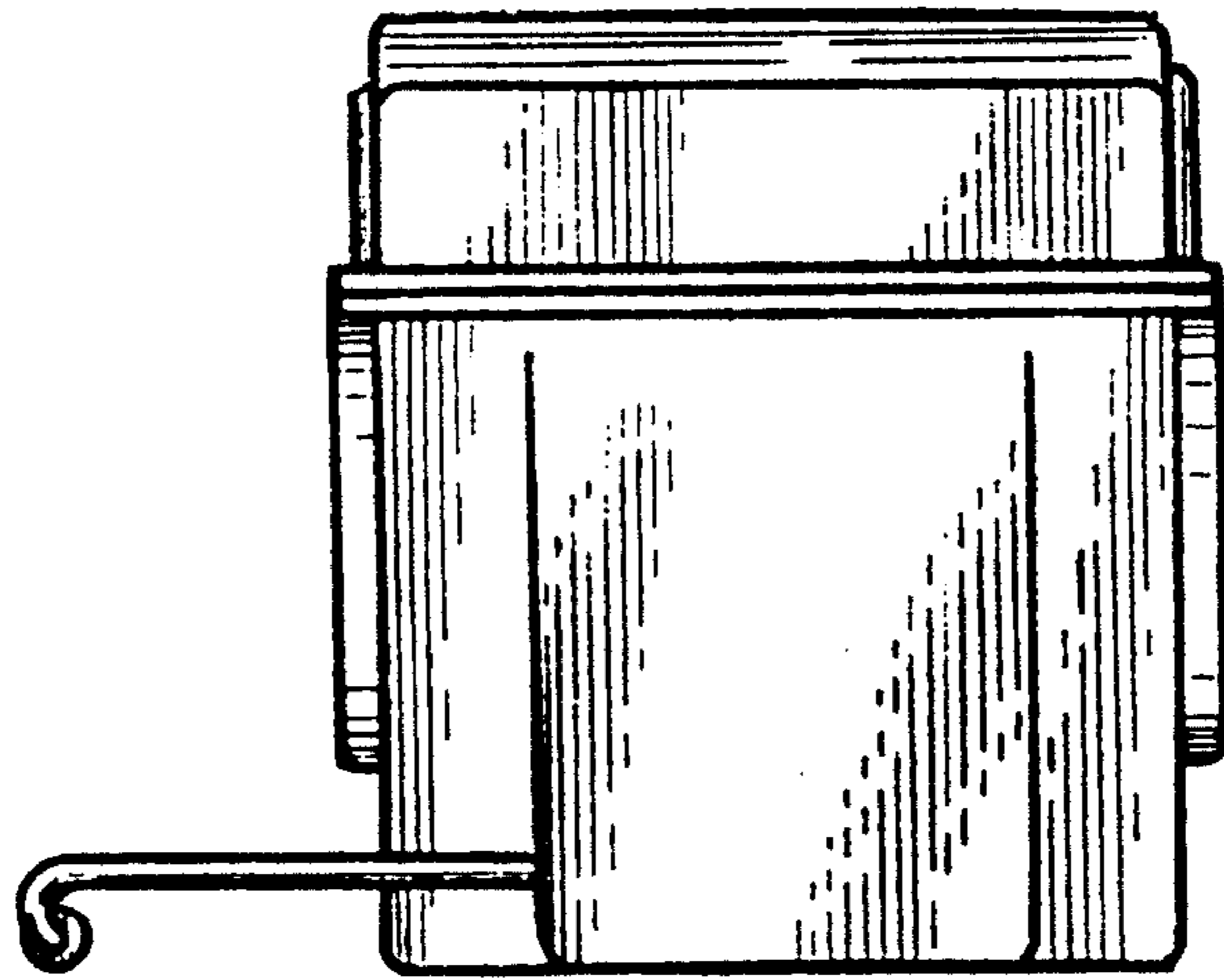


FIG. 4

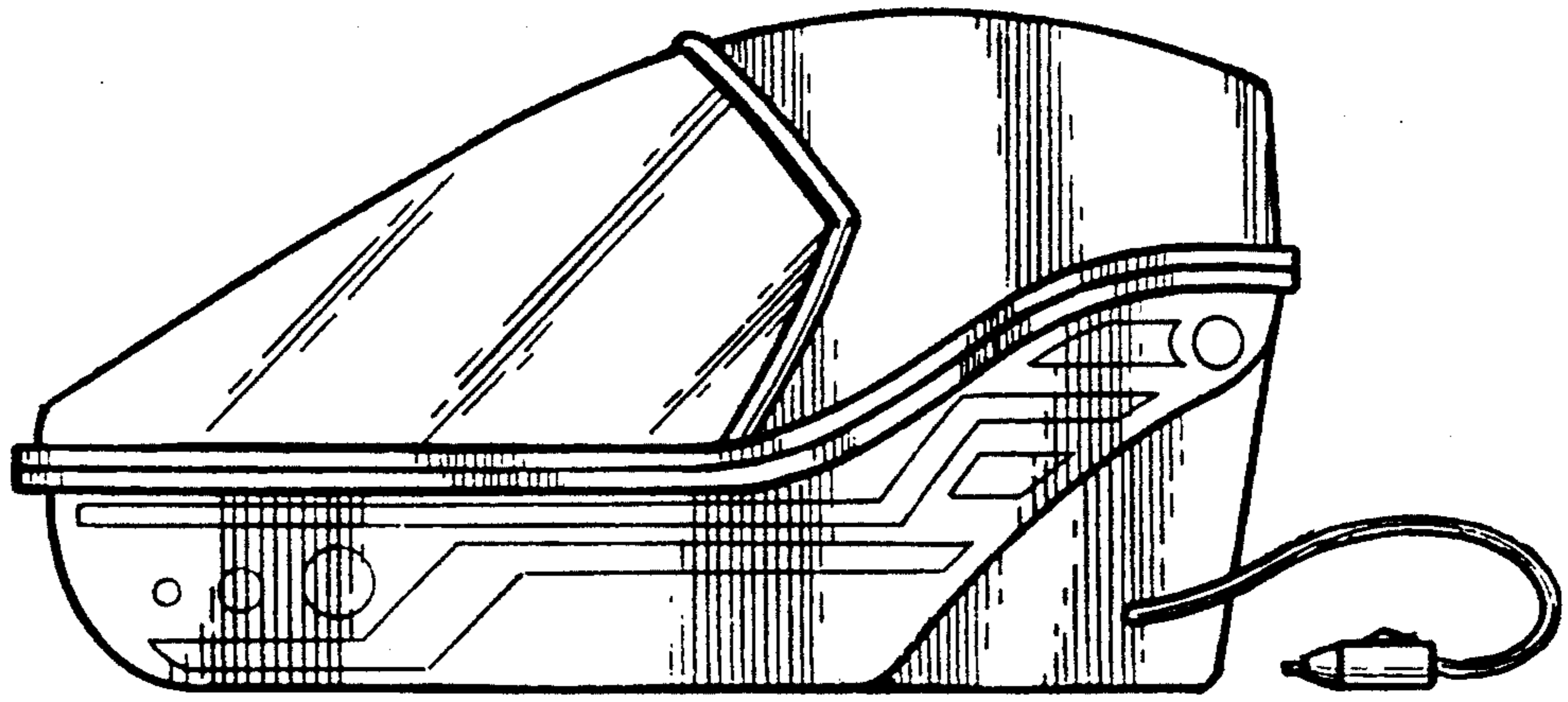


FIG. 5

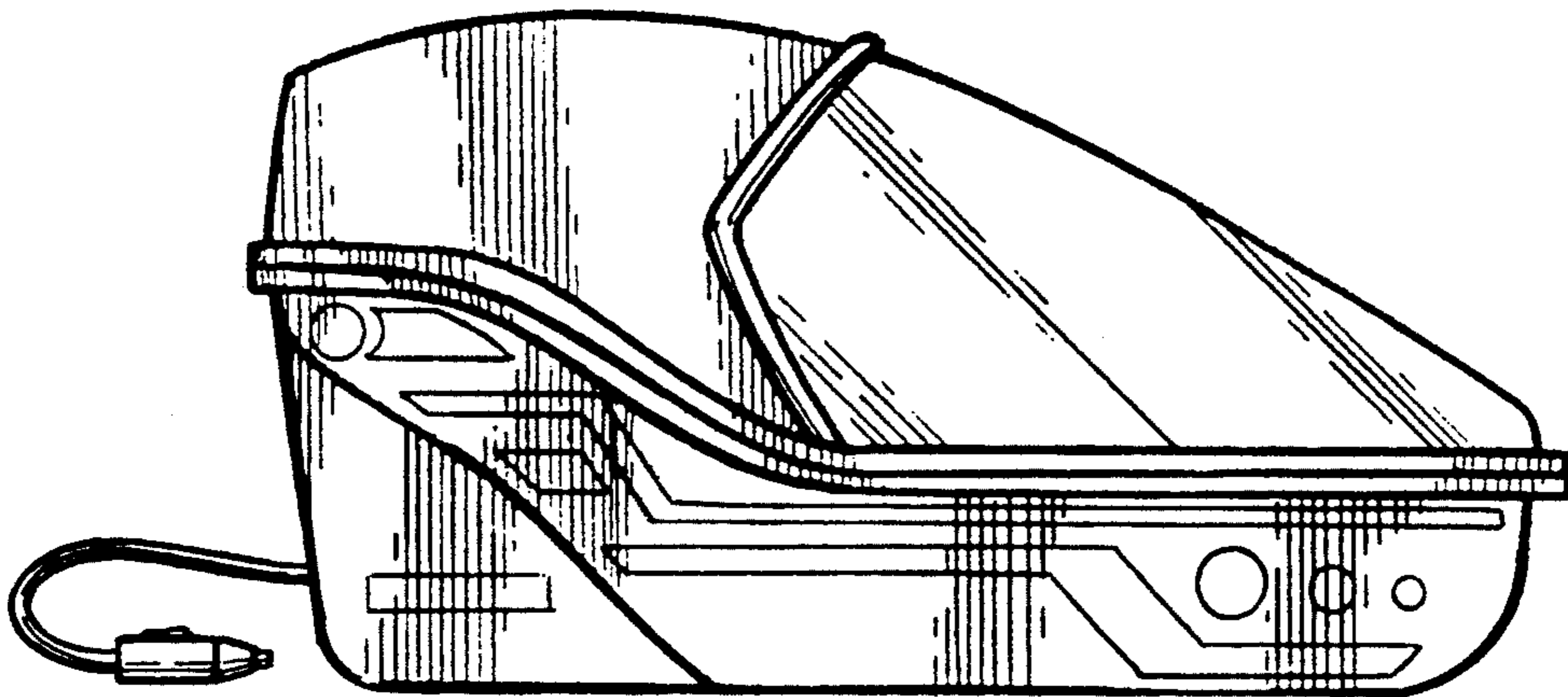


FIG. 6

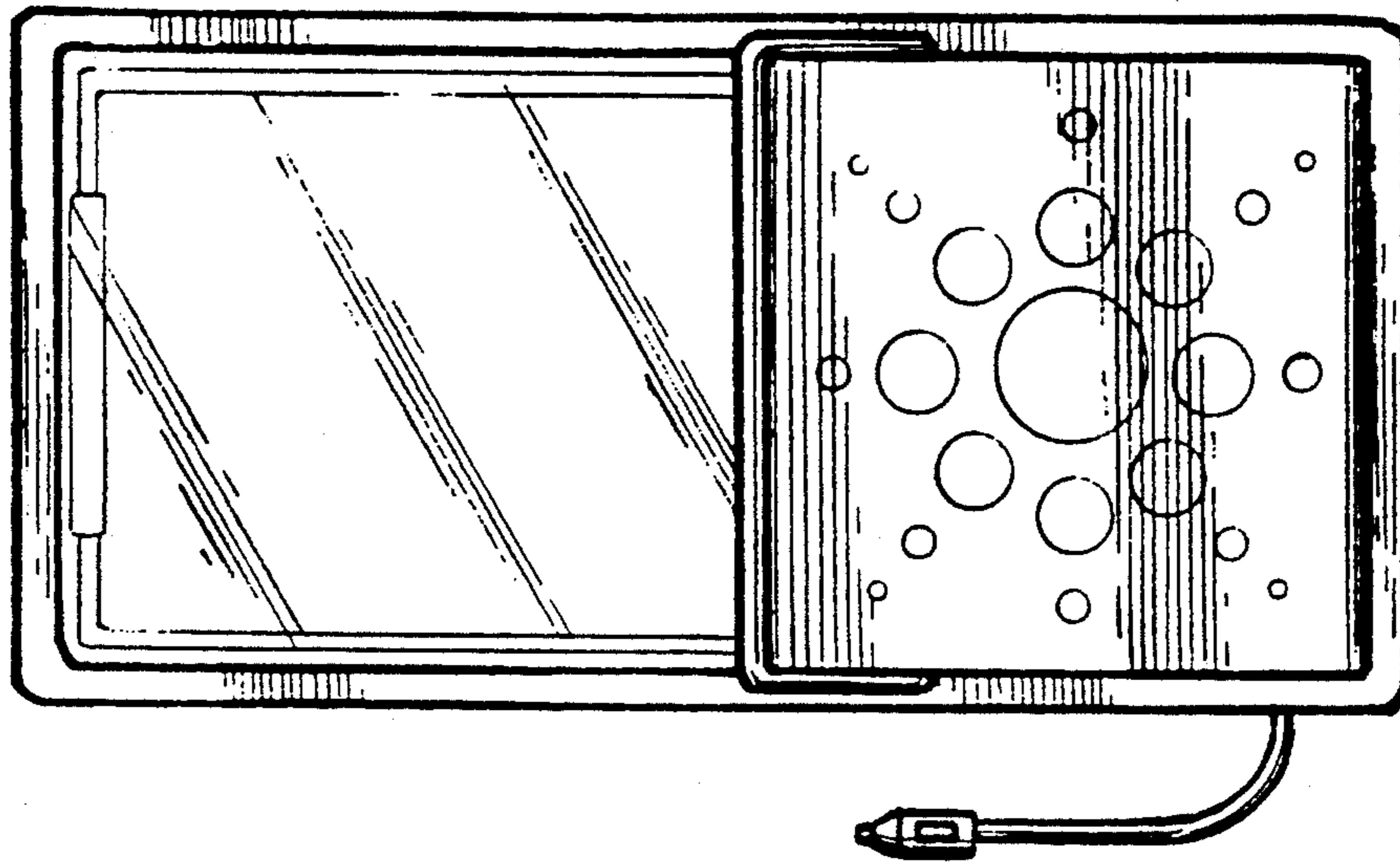


FIG. 7

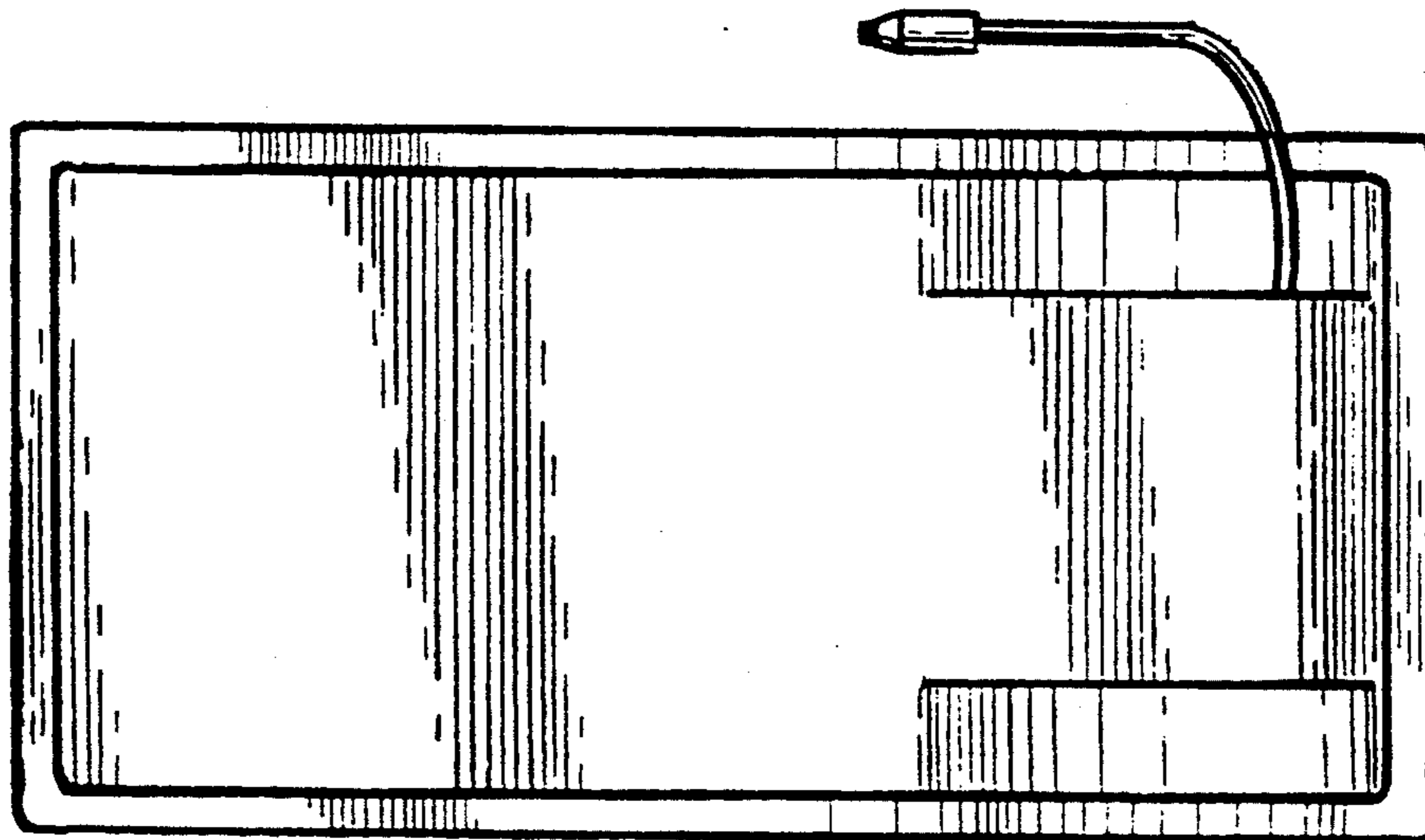


FIG. 8