



US00D335963S

United States Patent [19]

[11] Patent Number: **Des. 335,963**

Tracey

[45] Date of Patent: **** Jun. 1, 1993**

[54] SHADOW BOX

2,588,545 3/1952 Lawrence 40/152.2

[75] Inventor: **William J. Tracey, Providence, R.I.**

Primary Examiner—Bernard Ansher

[73] Assignee: **Cathedral Art Metal Company,
Pawtucket, R.I.**

Assistant Examiner—Adir Aronovich

Attorney, Agent, or Firm—Salter, Michaelson & Benson

[**] Term: **14 Years**

[57] **CLAIM**

The ornamental design for a shadow box, as shown.

[21] Appl. No.: **641,353**

DESCRIPTION

[22] Filed: **Jan. 15, 1991**

[52] U.S. Cl. **D6/310; D6/300**

[58] Field of Search **D6/300-314;
40/152, 152.1, 152.2**

FIG. 1 is a perspective view of a shadow box showing my new design;

FIG. 2 is a front elevational view thereof;

FIG. 3 is a rear elevational view thereof;

FIG. 4 is a side elevational view thereof;

FIG. 5 is a top plan view thereof;

FIG. 6 is a bottom plan view thereof;

FIG. 7 is a perspective view of a modified form of the invention;

FIG. 8 is a front elevational view thereof;

FIG. 9 is a rear elevational view thereof;

FIG. 10 is a side elevational view thereof;

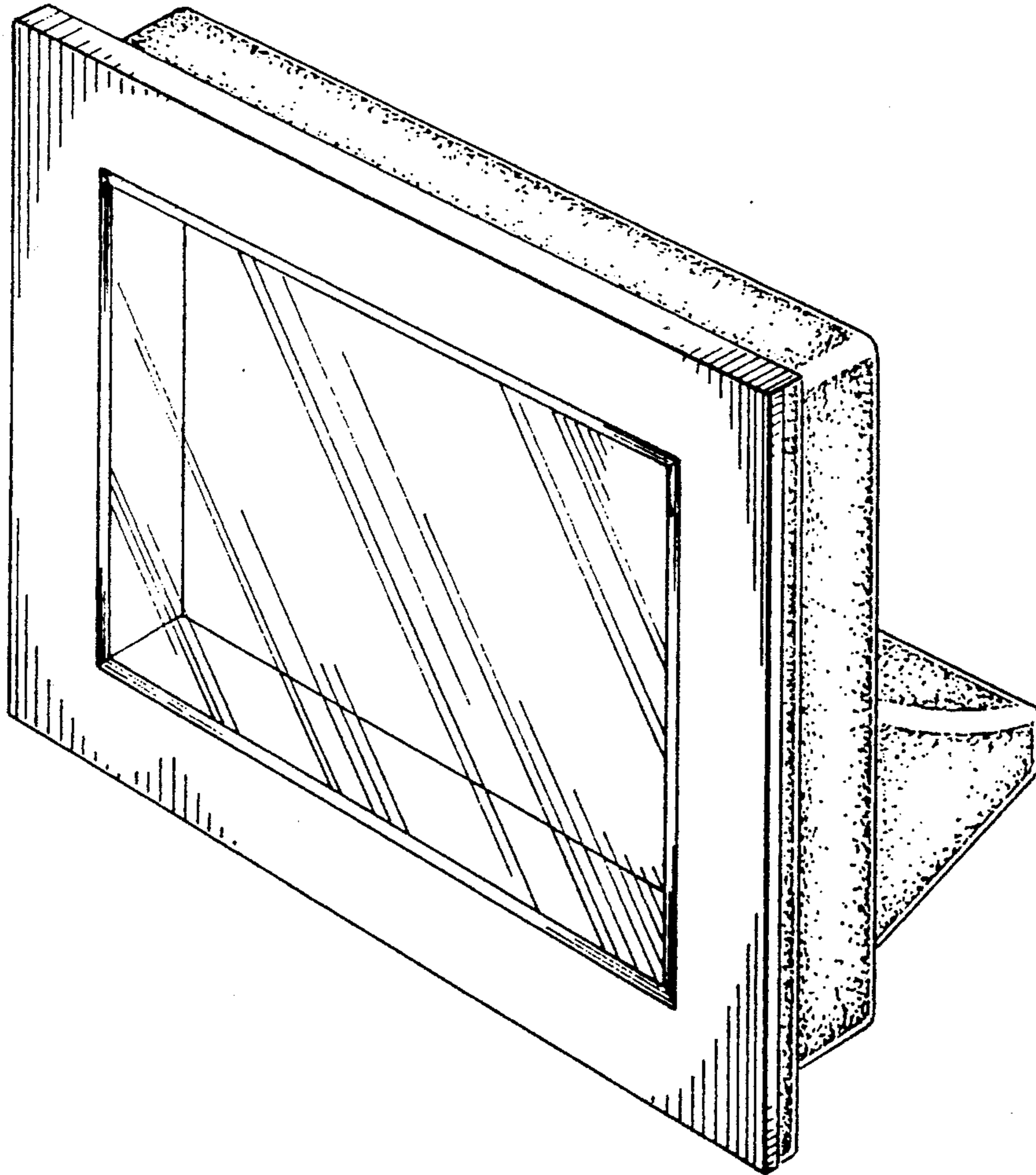
FIG. 11 is a top plan view thereof; and,

FIG. 12 is a bottom plan view thereof.

[56] **References Cited**

U.S. PATENT DOCUMENTS

D. 169,871	6/1953	Speer et al.	D6/308
D. 172,278	5/1954	Helms	D6/300
D. 243,378	2/1977	Tharp	D6/300
D. 276,582	12/1984	McIntire, Jr.	D6/303
D. 307,675	5/1990	Jordan	D6/300
1,940,328	12/1933	Schrotenboer	D6/310
2,549,928	4/1951	Reefe	40/152.2



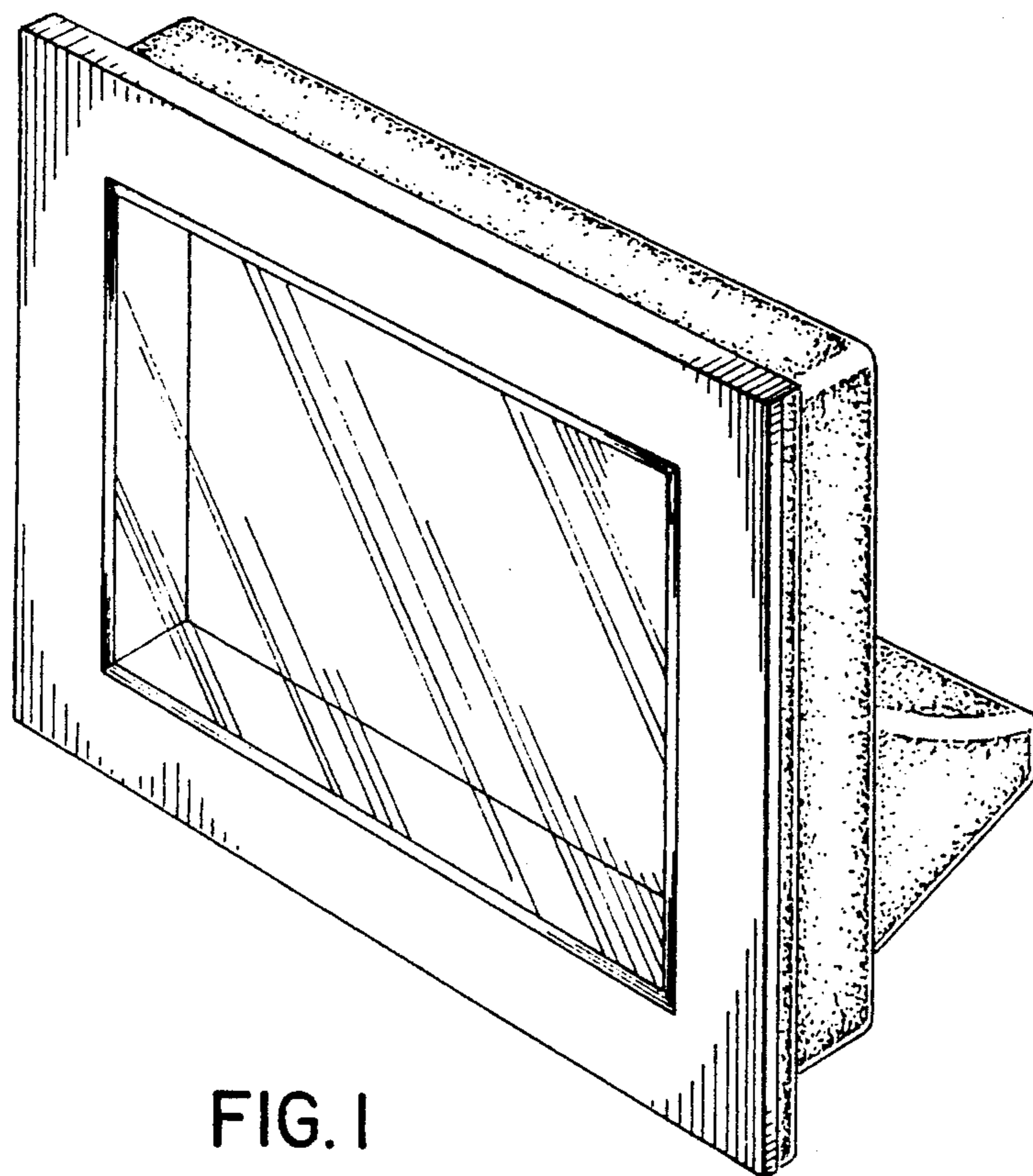


FIG. 1

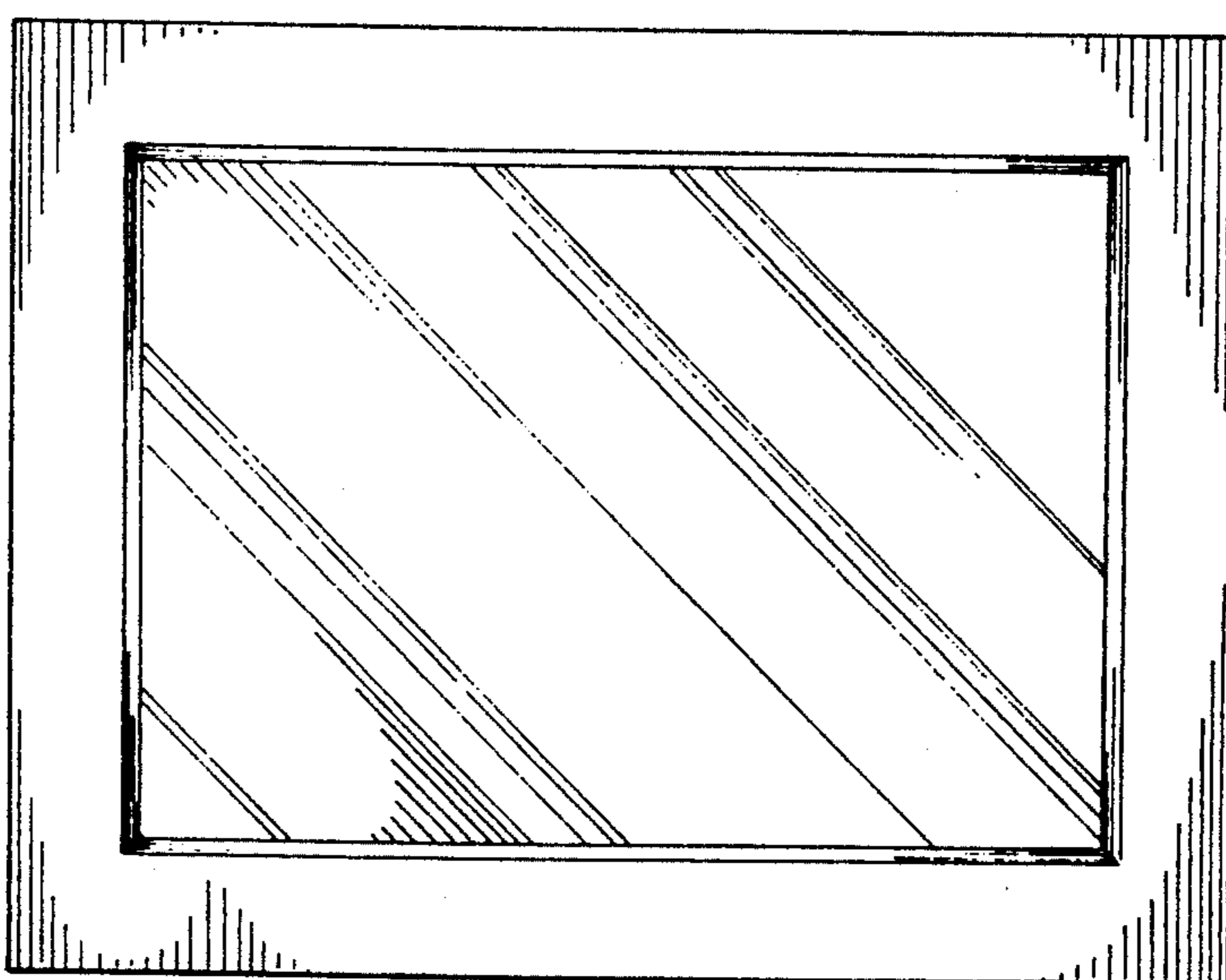


FIG. 2

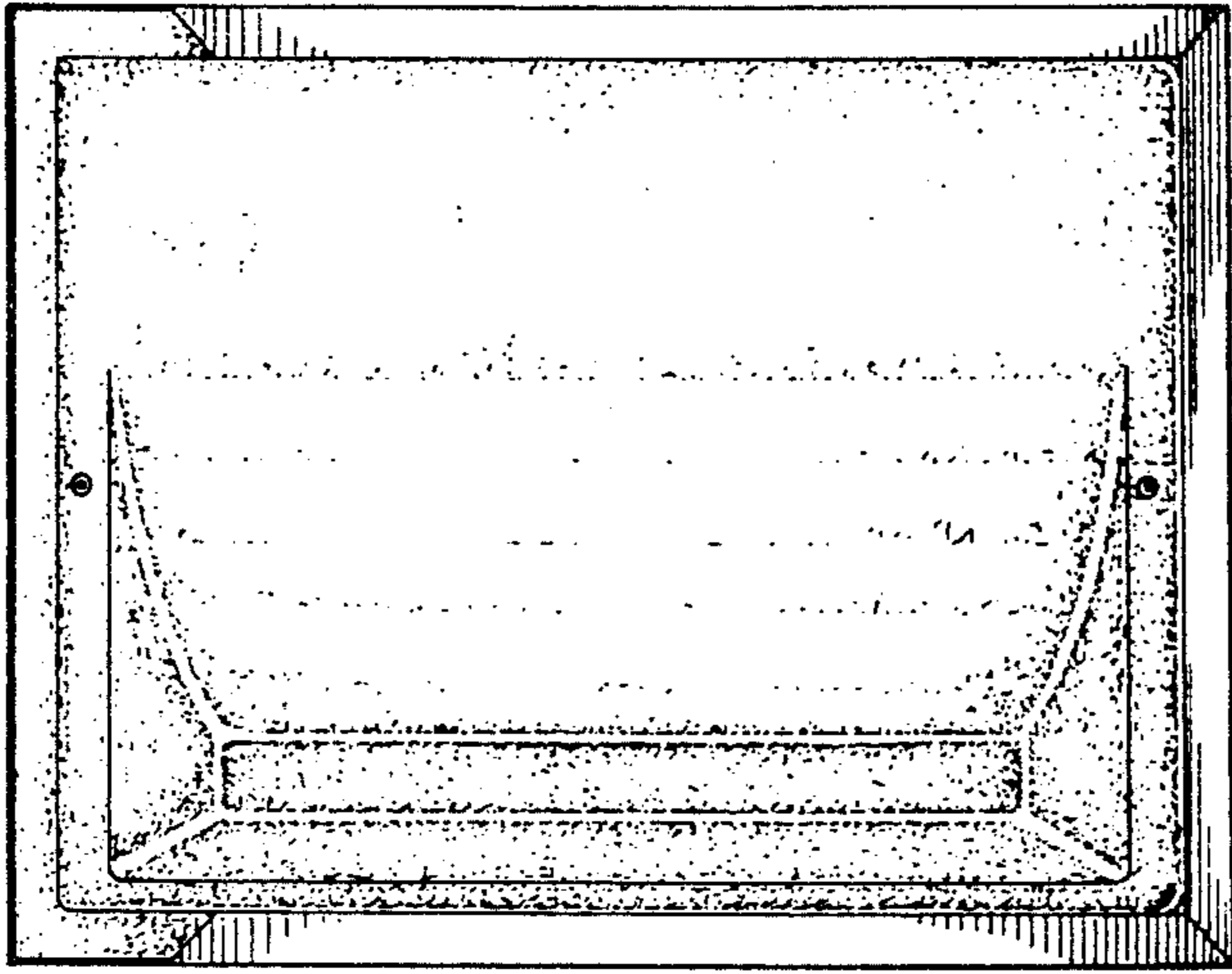


FIG. 3

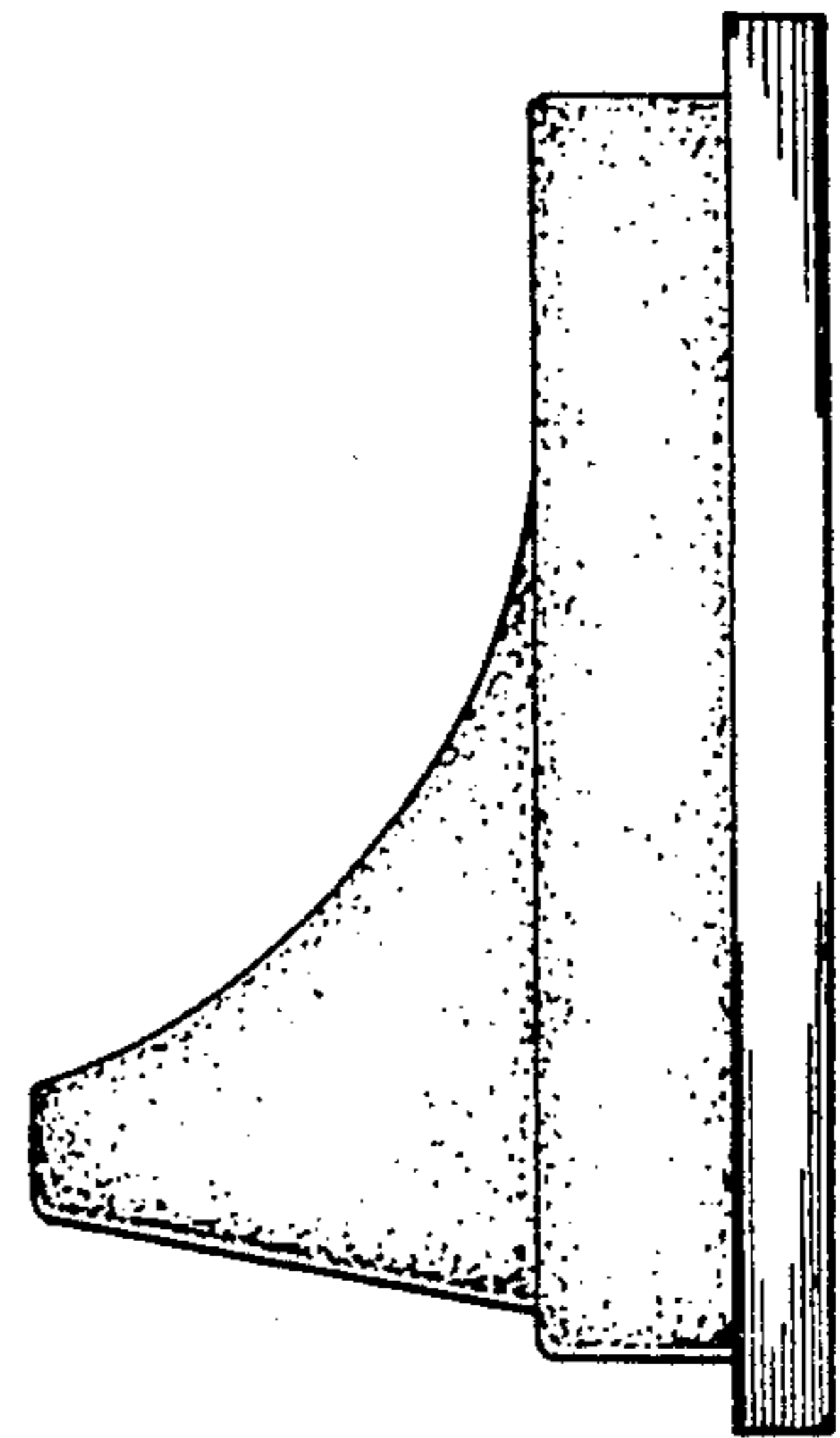


FIG. 4

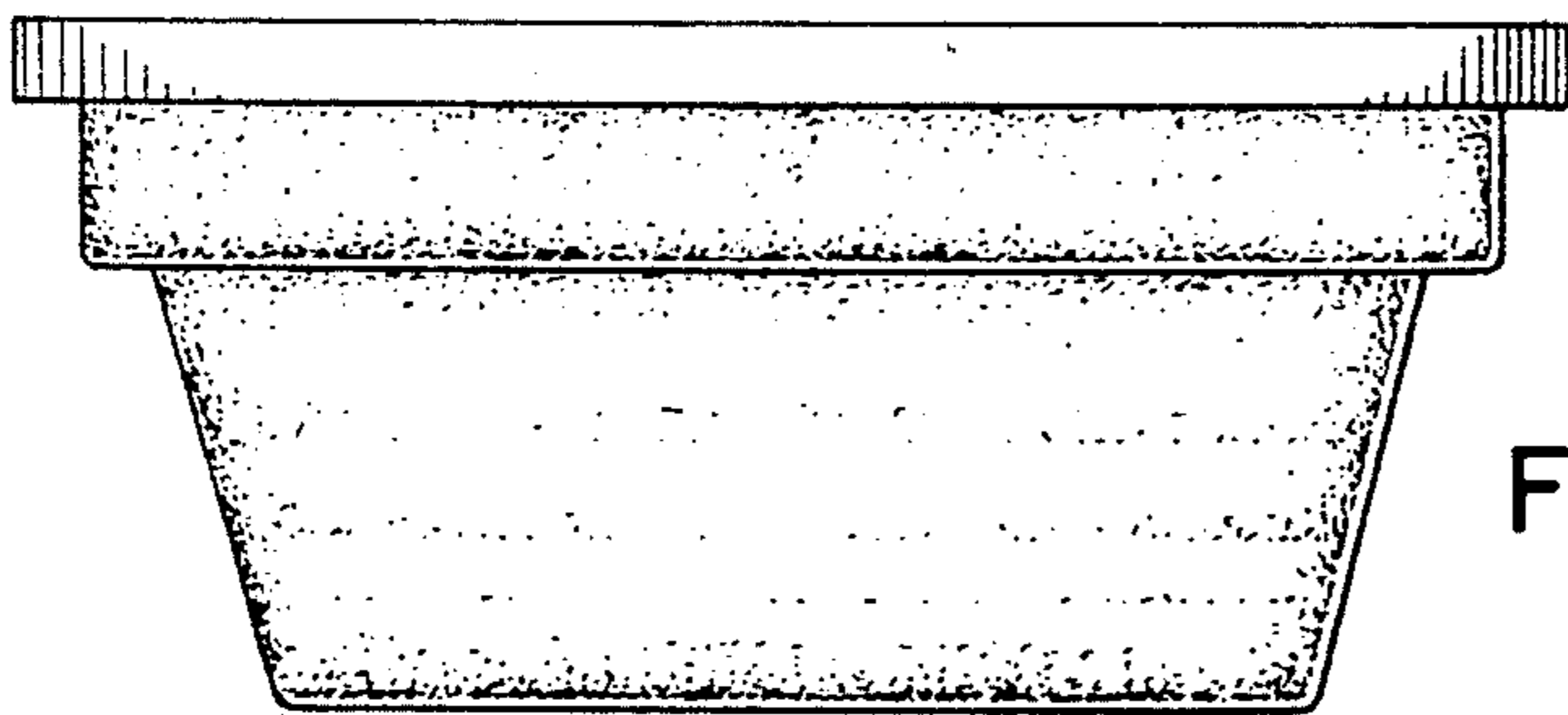
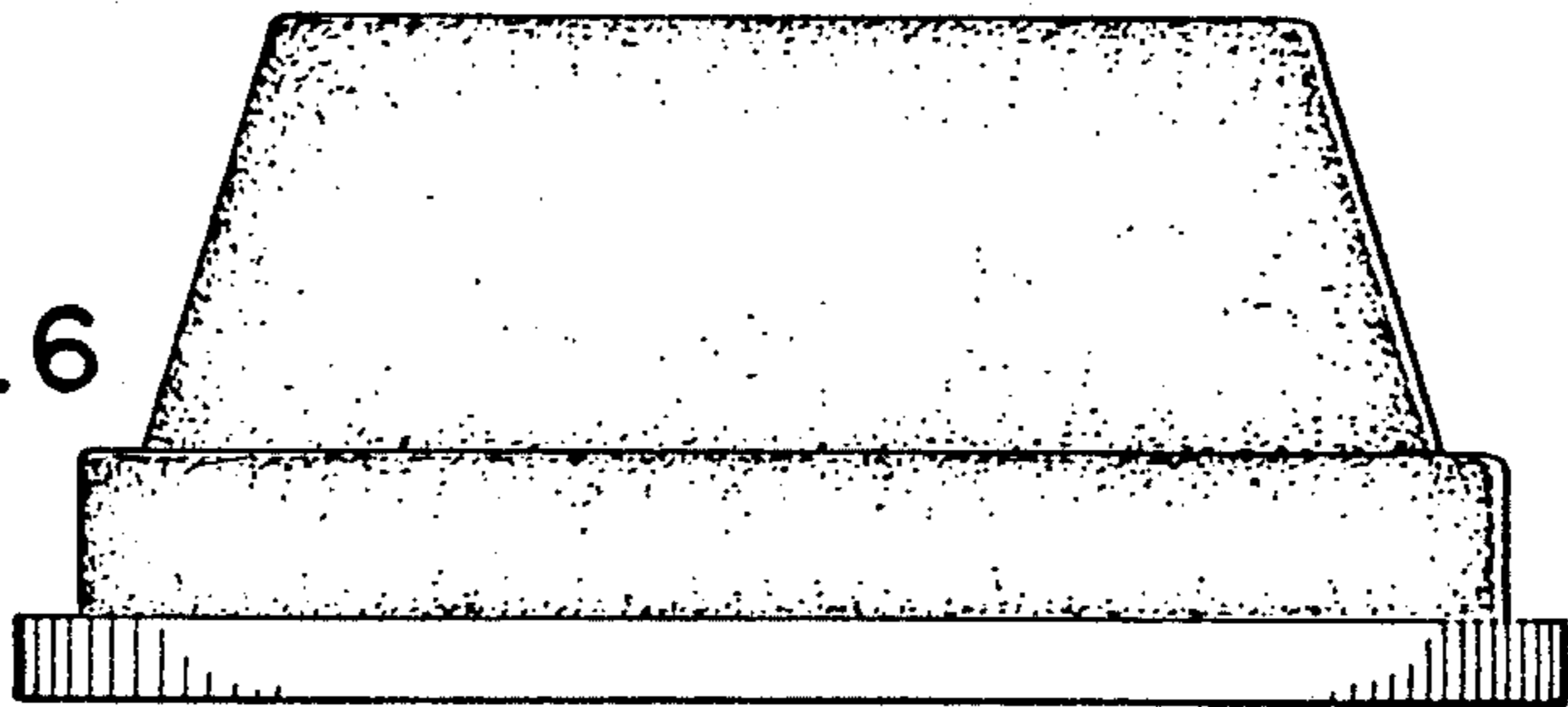


FIG. 5

FIG. 6



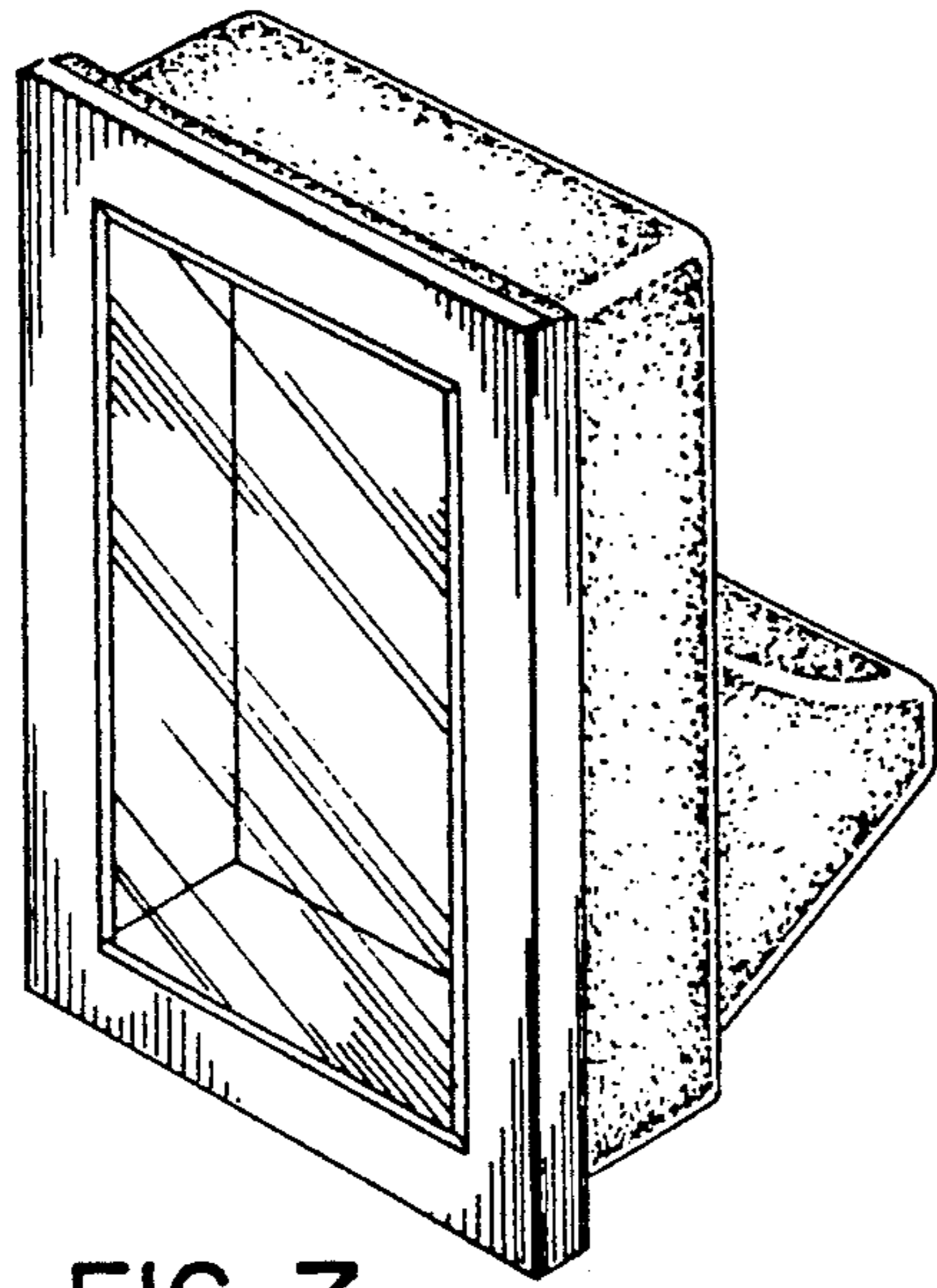


FIG. 7

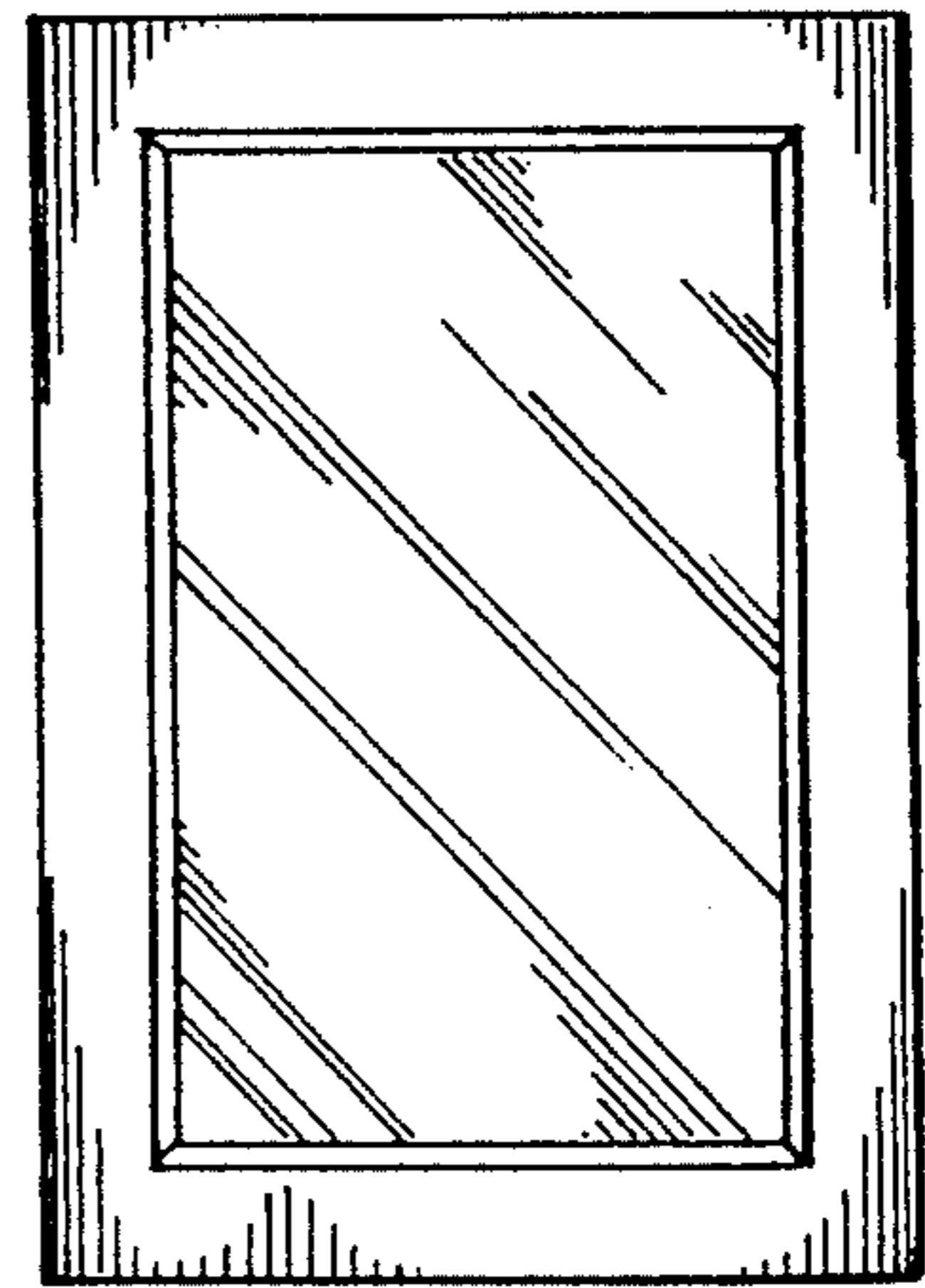


FIG. 8

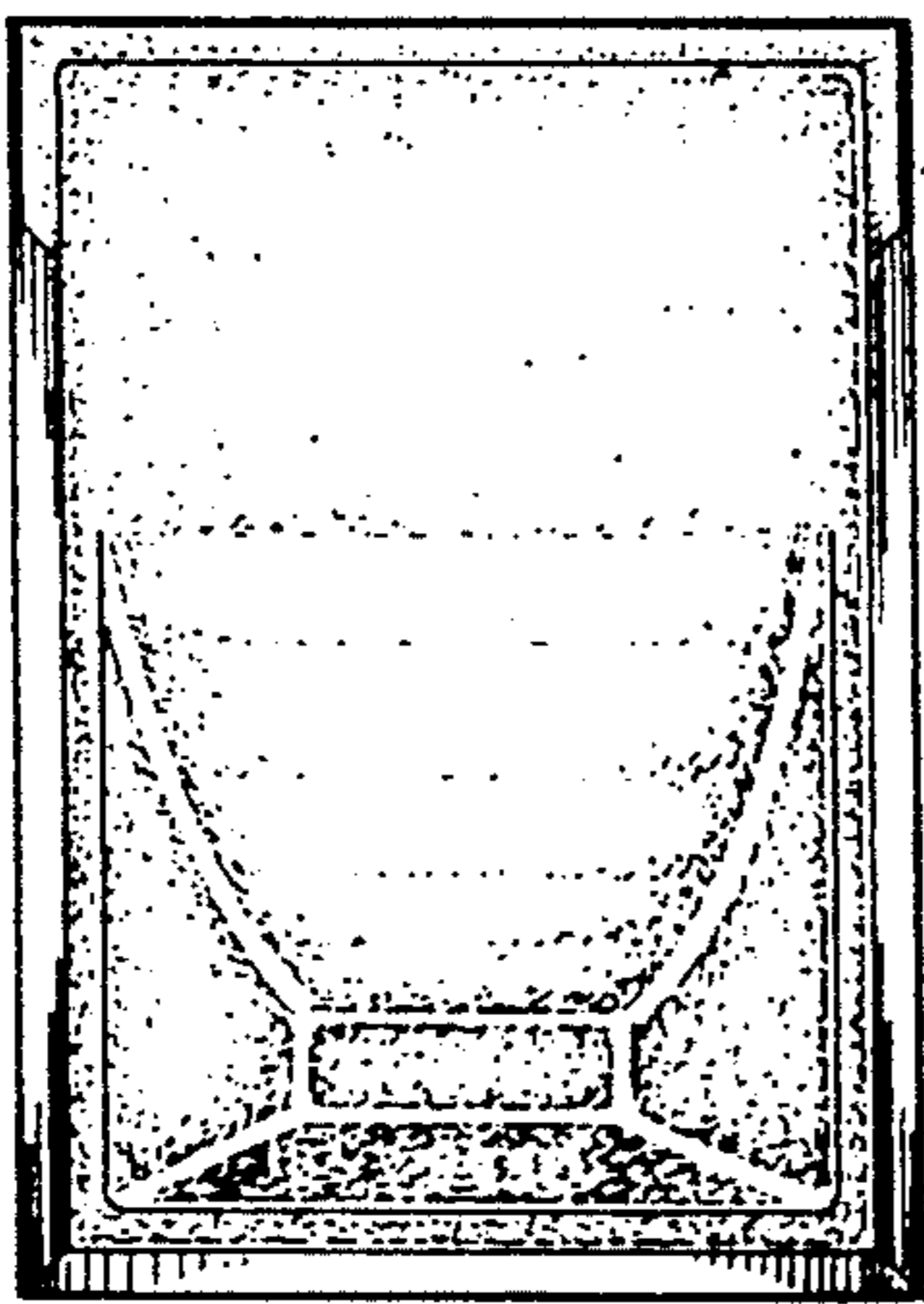


FIG. 9

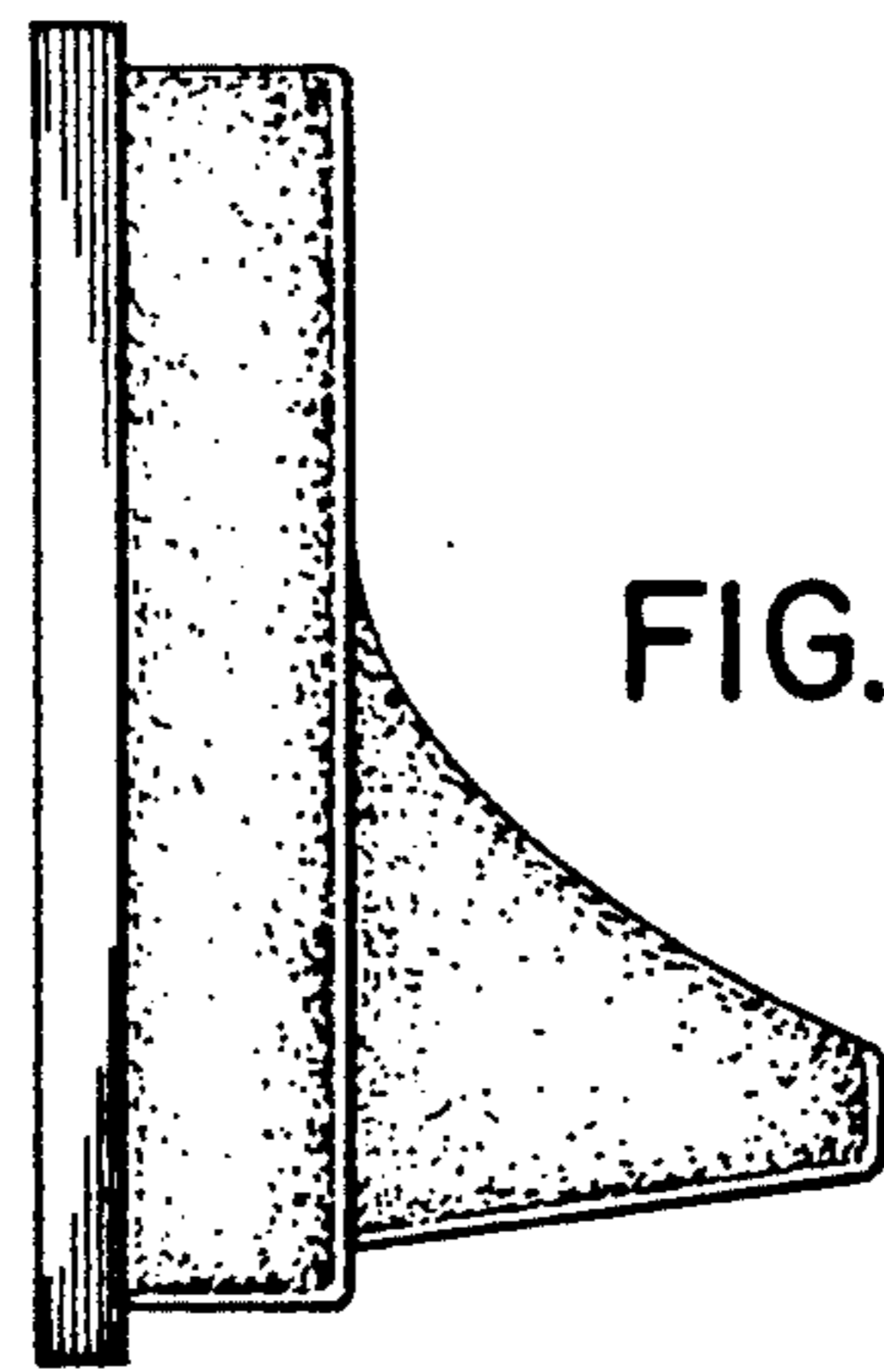


FIG. 10

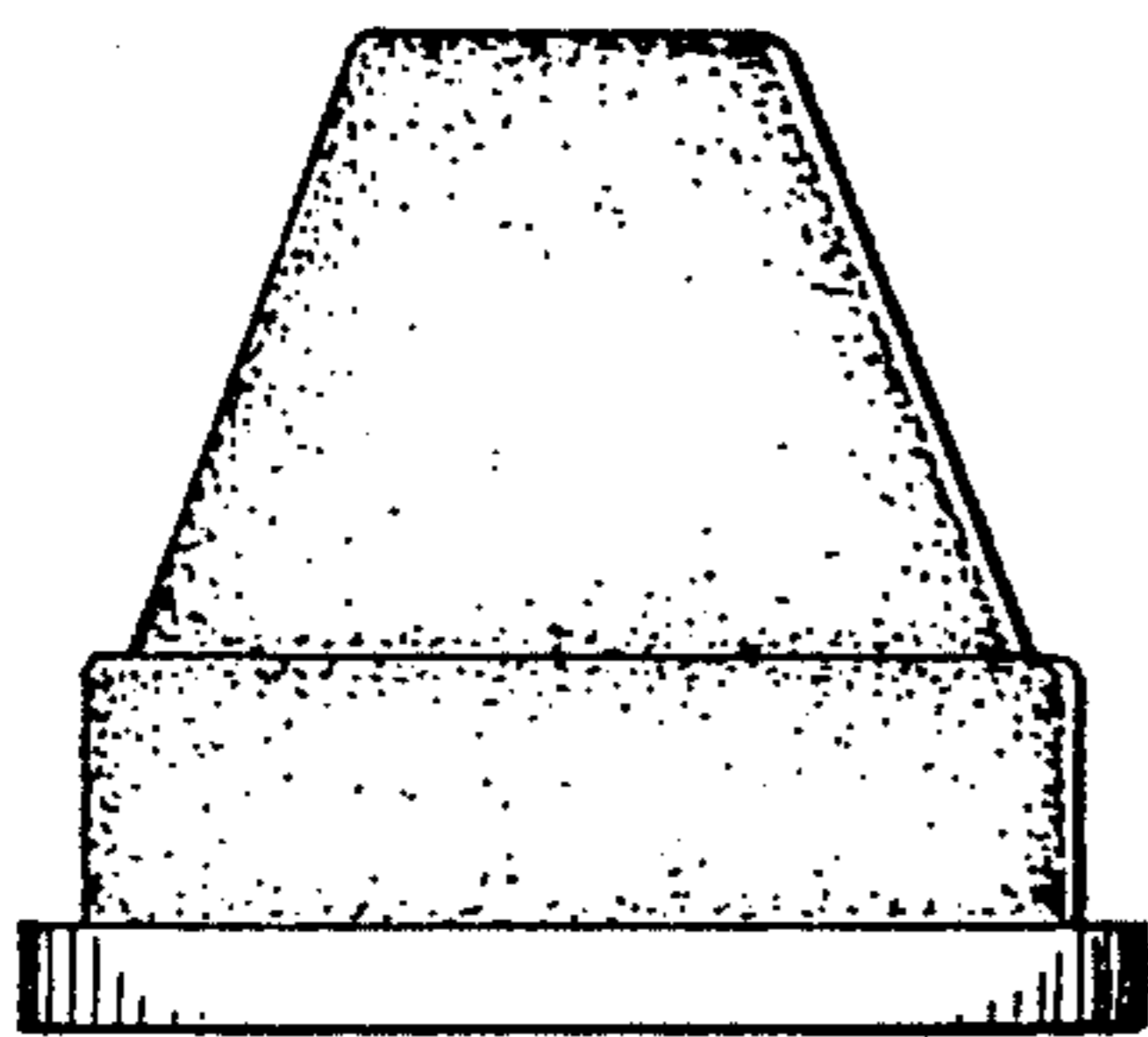


FIG. 11

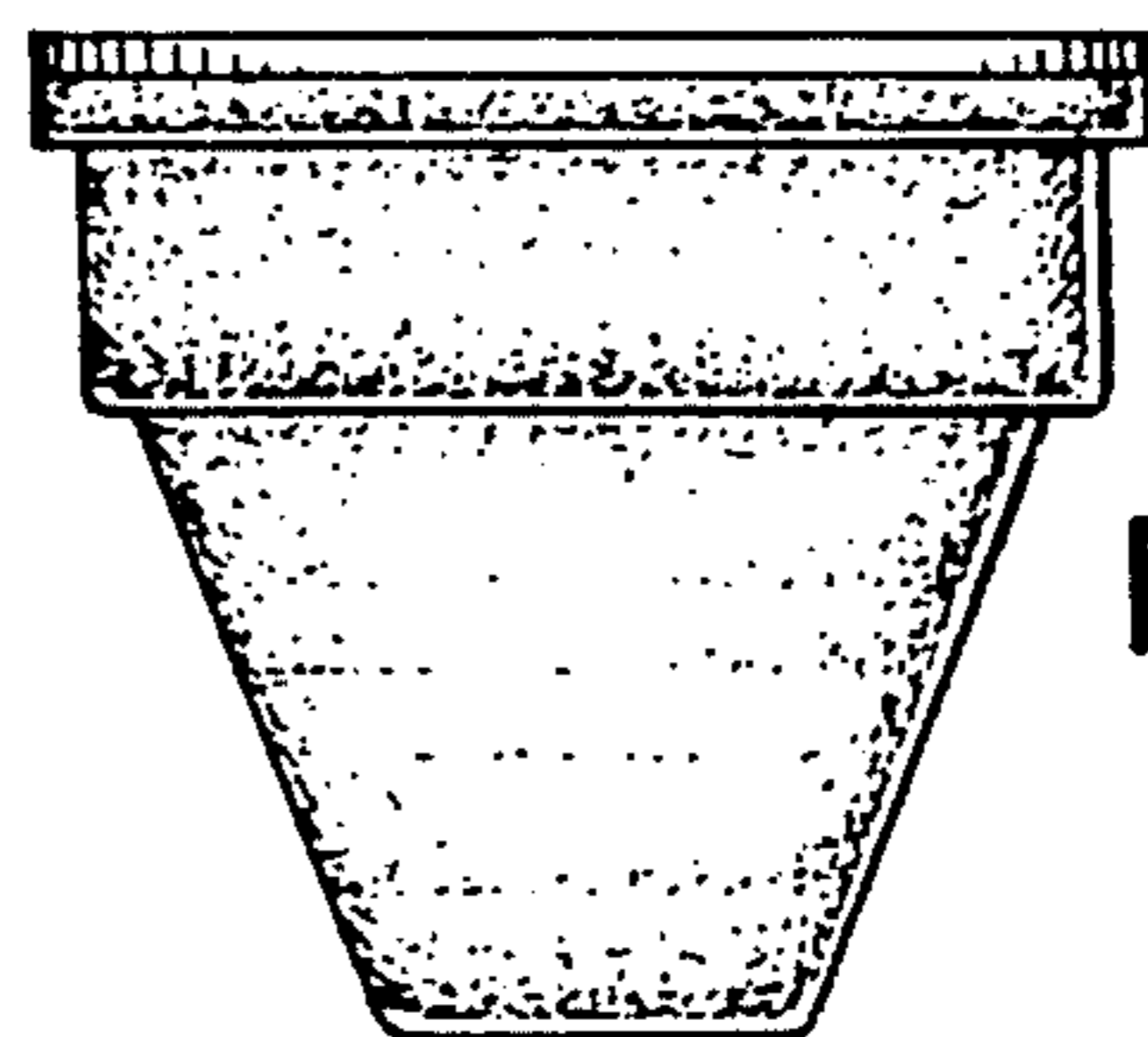


FIG. 12