



US00D335960S

United States Patent [19]

[11] Patent Number: **Des. 335,960**

Kahl et al.

[45] Date of Patent: **** Jun. 1, 1993**

[54] **PICNIC BASKET**

[75] Inventors: **W. Henry Kahl, Wooster, Ohio;**
James A. Schillinger, Augusta, Kans.

[73] Assignee: **Rubbermaid Incorporated, Wooster, Ohio**

[**] Term: **14 Years**

[21] Appl. No.: **790,714**

[22] Filed: **Nov. 12, 1991**

[52] U.S. Cl. **D3/78; D7/605;**
D34/43

[58] Field of Search **D3/30.1, 39, 42, 74-75,**
D3/79, 78; D7/601, 605-608, 626; D15/83;
206/541, 545, 549; D34/43-45

[56] **References Cited**

U.S. PATENT DOCUMENTS

D. 211,859 8/1968 Tishuk D9/224
3,057,508 10/1962 Kimbrough, Jr. 62/457.5

OTHER PUBLICATIONS

P. 10, Picnic basket, Igloo Products, P.O. Box 19322, Houston, Tex. 77224, Publication date 1990.

P. 11, Picnic basket, Gio Style, Via Private Cascia, 8,20128, Milan, Italy, Publication date 1988.

P. 5, Picnic basket, Rubbermaid Incorporated, Specialty Products Division, North Honeytown Road, Smithville, Ohio 44677, Publication date 1990.

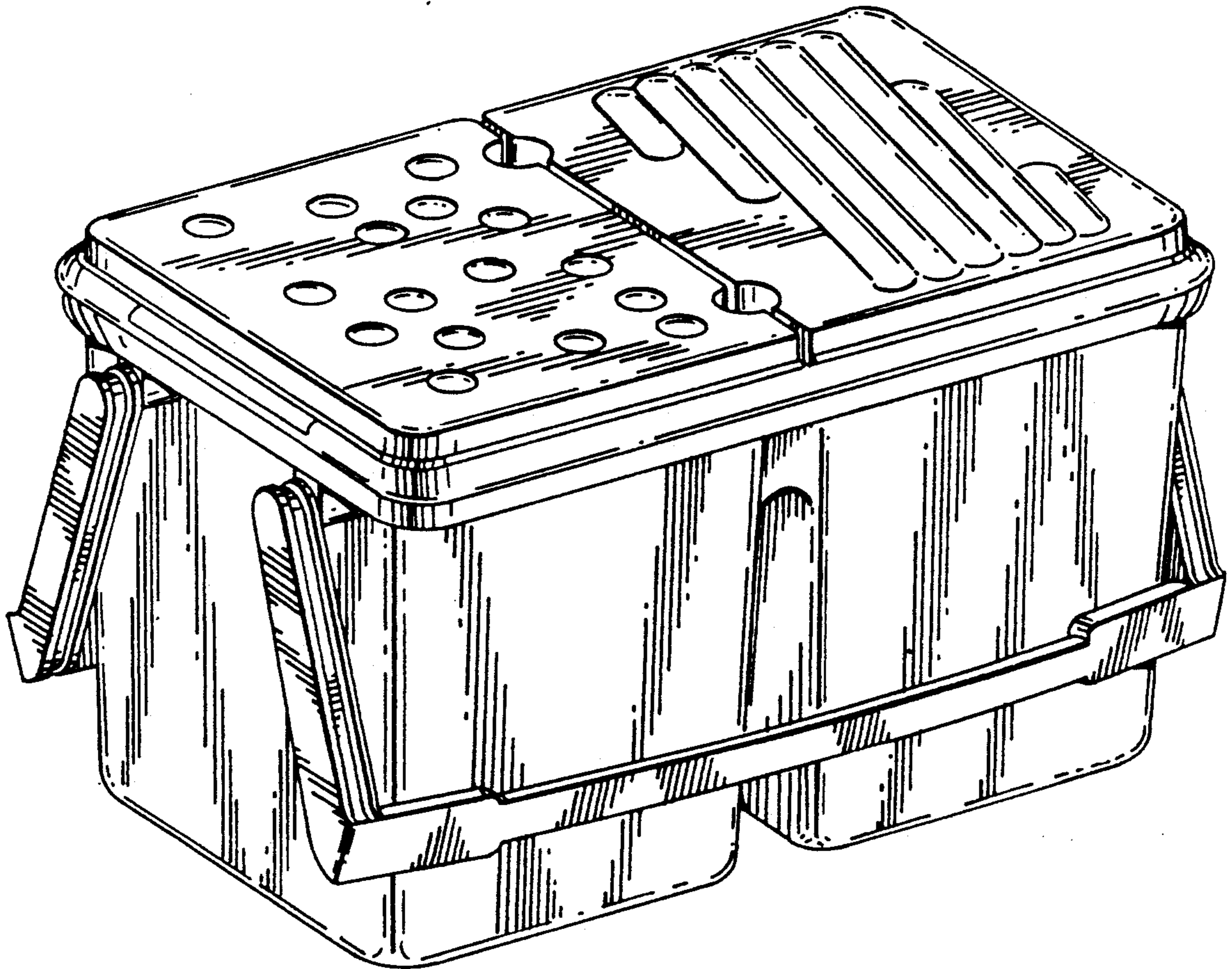
Primary Examiner—Terry A. Pfeffer
Attorney, Agent, or Firm—Richard B. O'Planick

[57] **CLAIM**

The ornamental design for a picnic basket, as shown and described.

DESCRIPTION

FIG. 1 is a top left front perspective view of a picnic basket showing our new design;
FIG. 2 is a top left front perspective view thereof, the handles shown in an upright position;
FIG. 3 is a top plan view thereof;
FIG. 4 is a bottom plan view thereof;
FIG. 5 is a right side elevational view thereof; the opposite side being a mirror image;
FIG. 6 is a front elevational view thereof;
FIG. 7 is a rear elevational view thereof; and,
FIG. 8 is a top left front perspective view of an alternate embodiment of FIG. 1, the difference being the unadorned top.



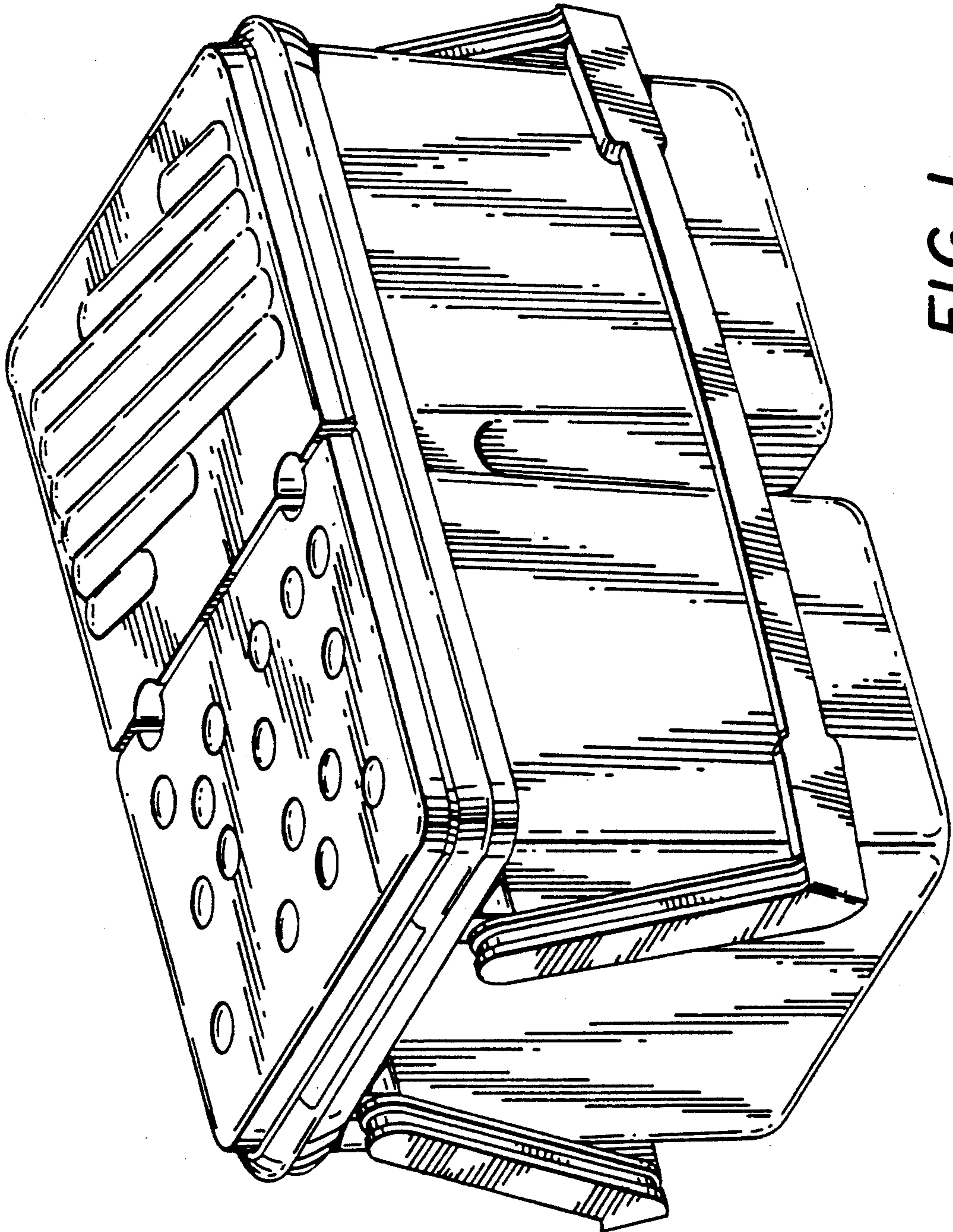


FIG. 1

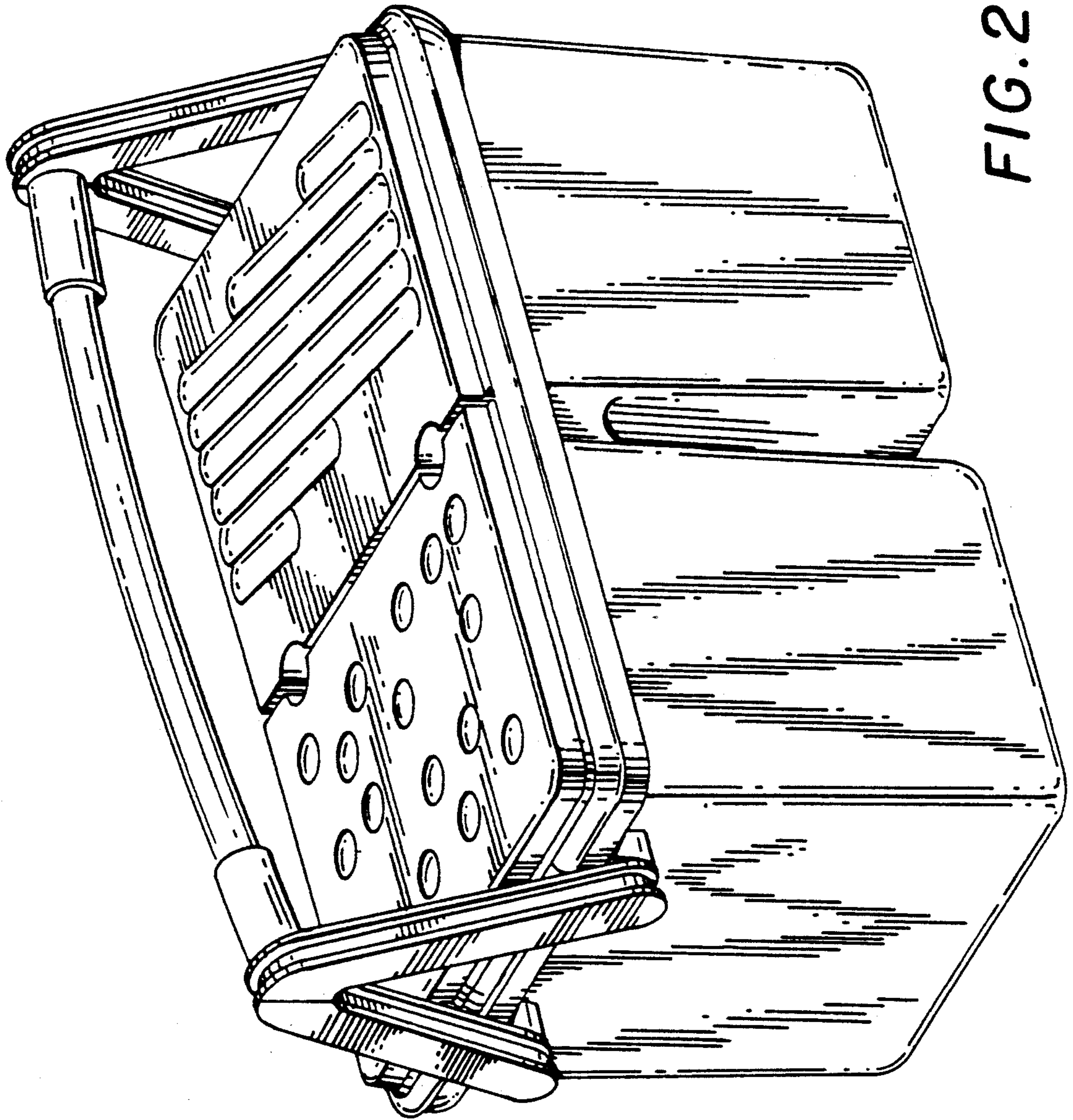


FIG. 2

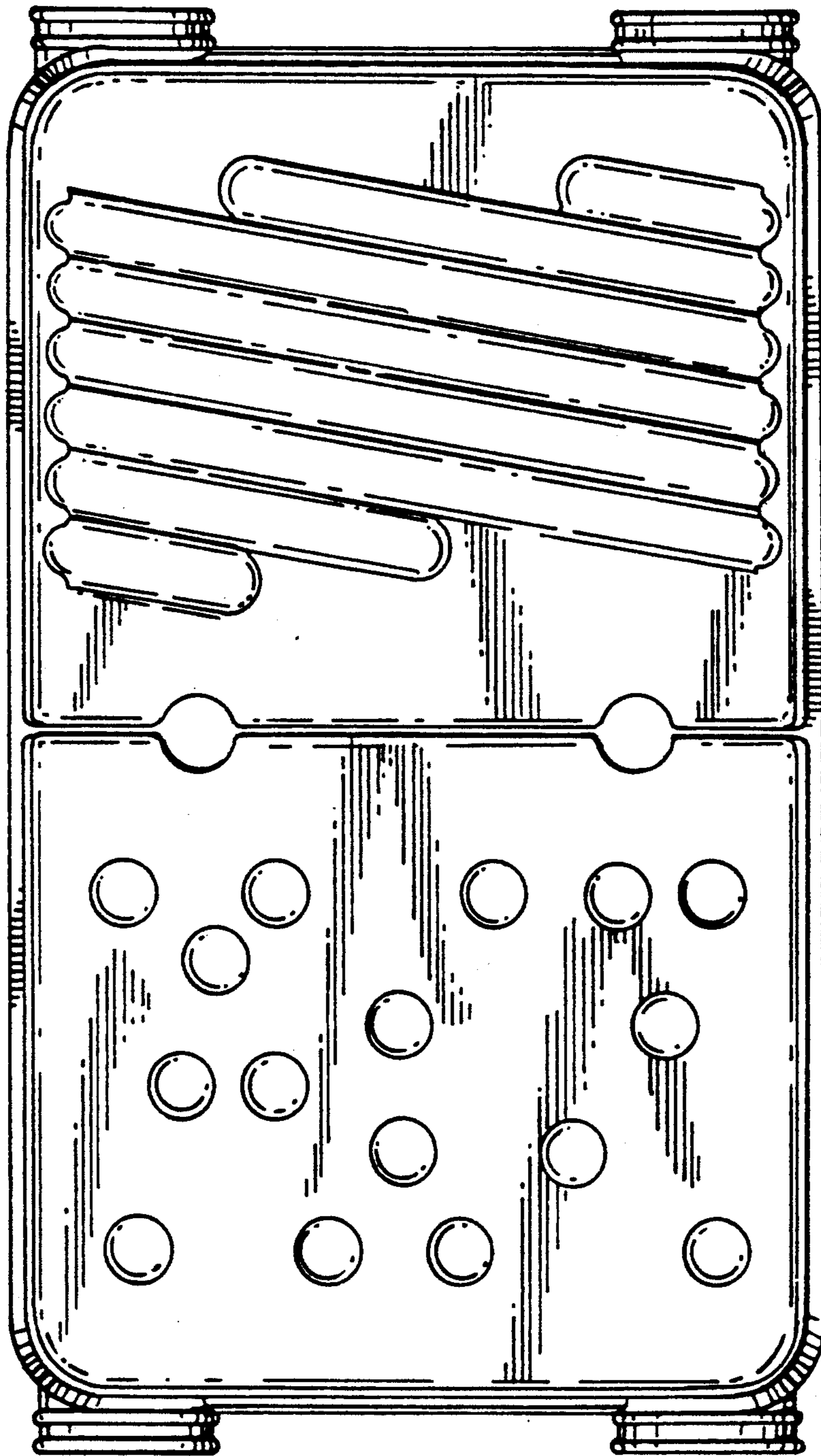


FIG. 3

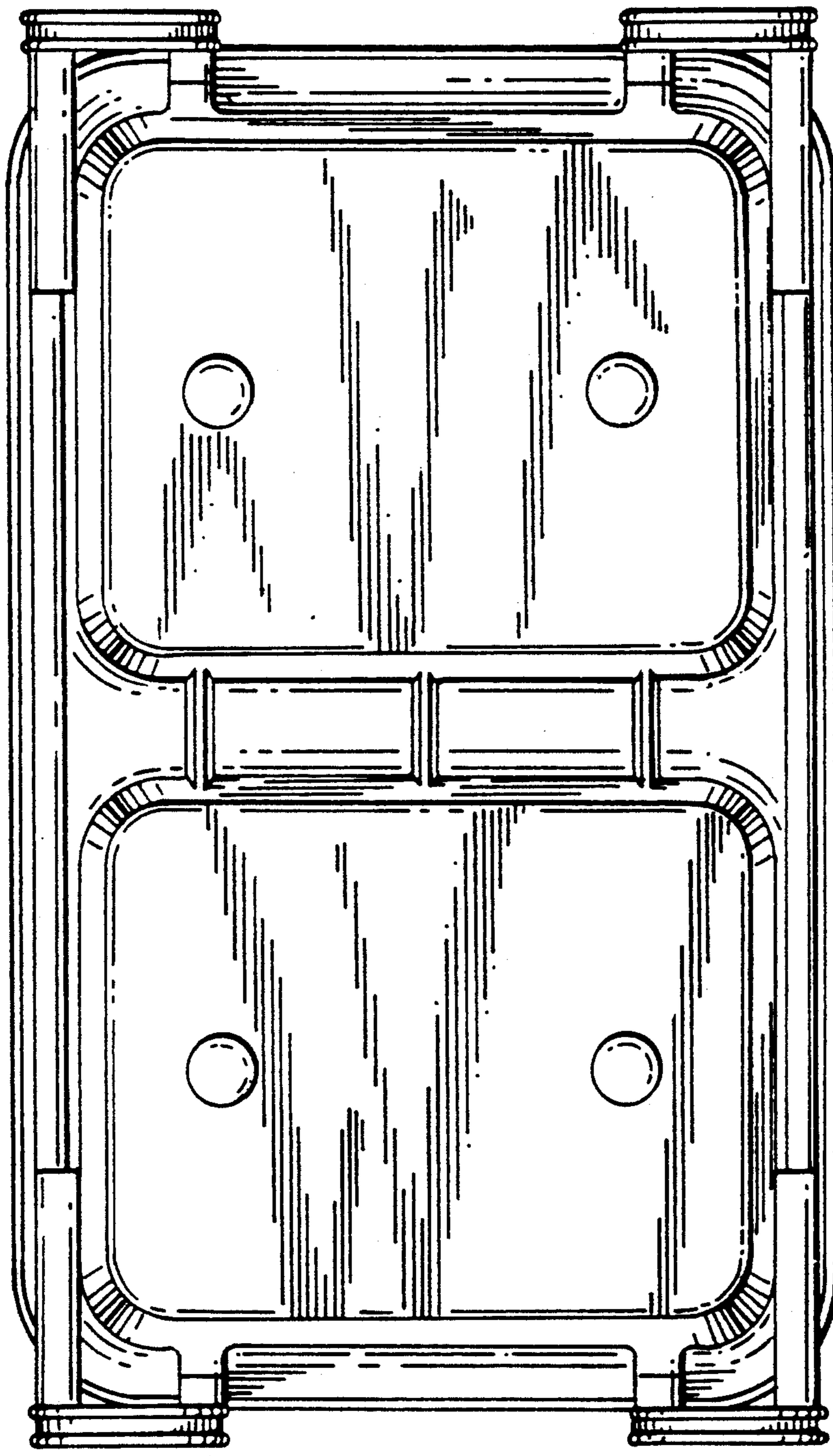


FIG. 4

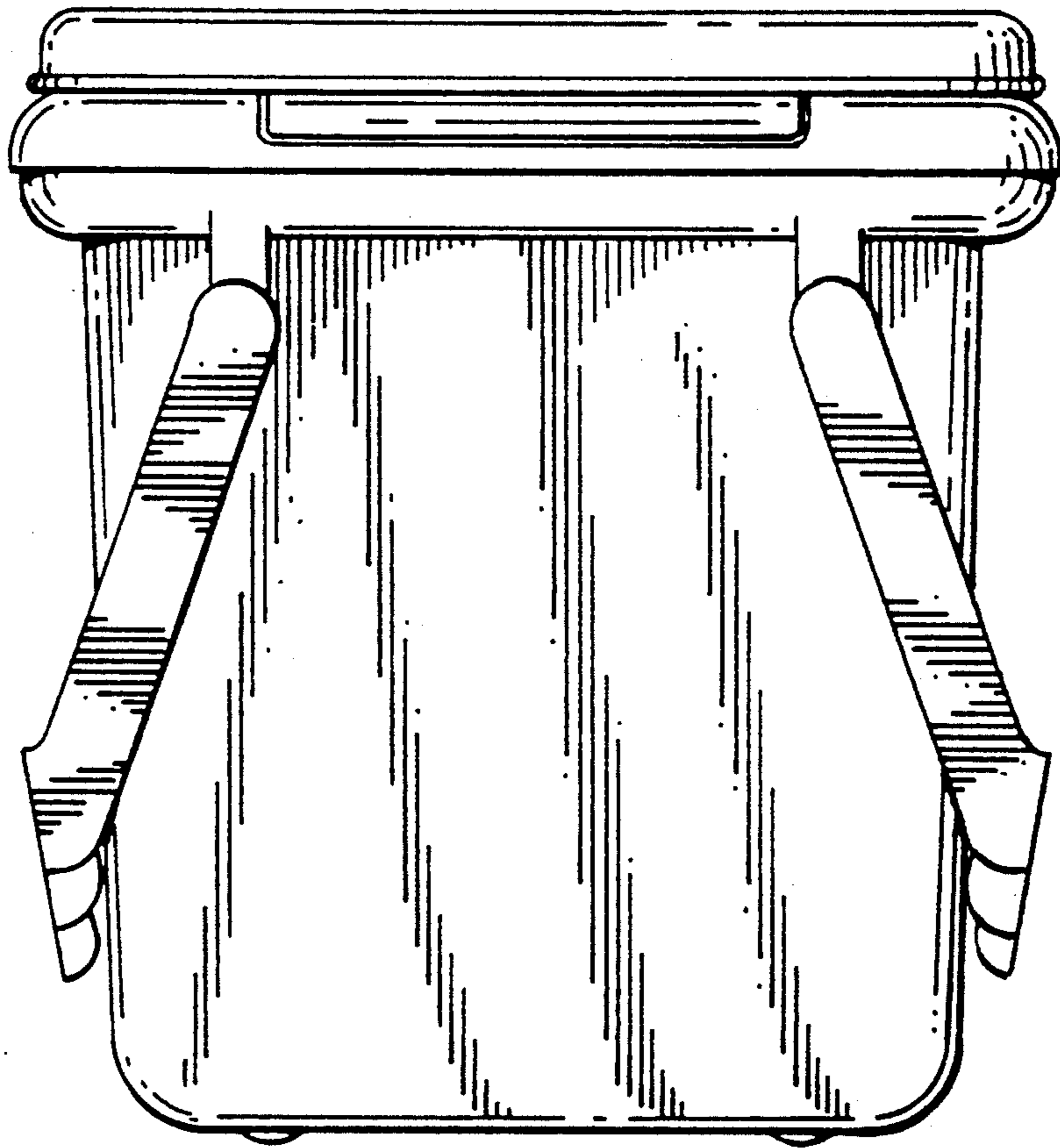


FIG. 5

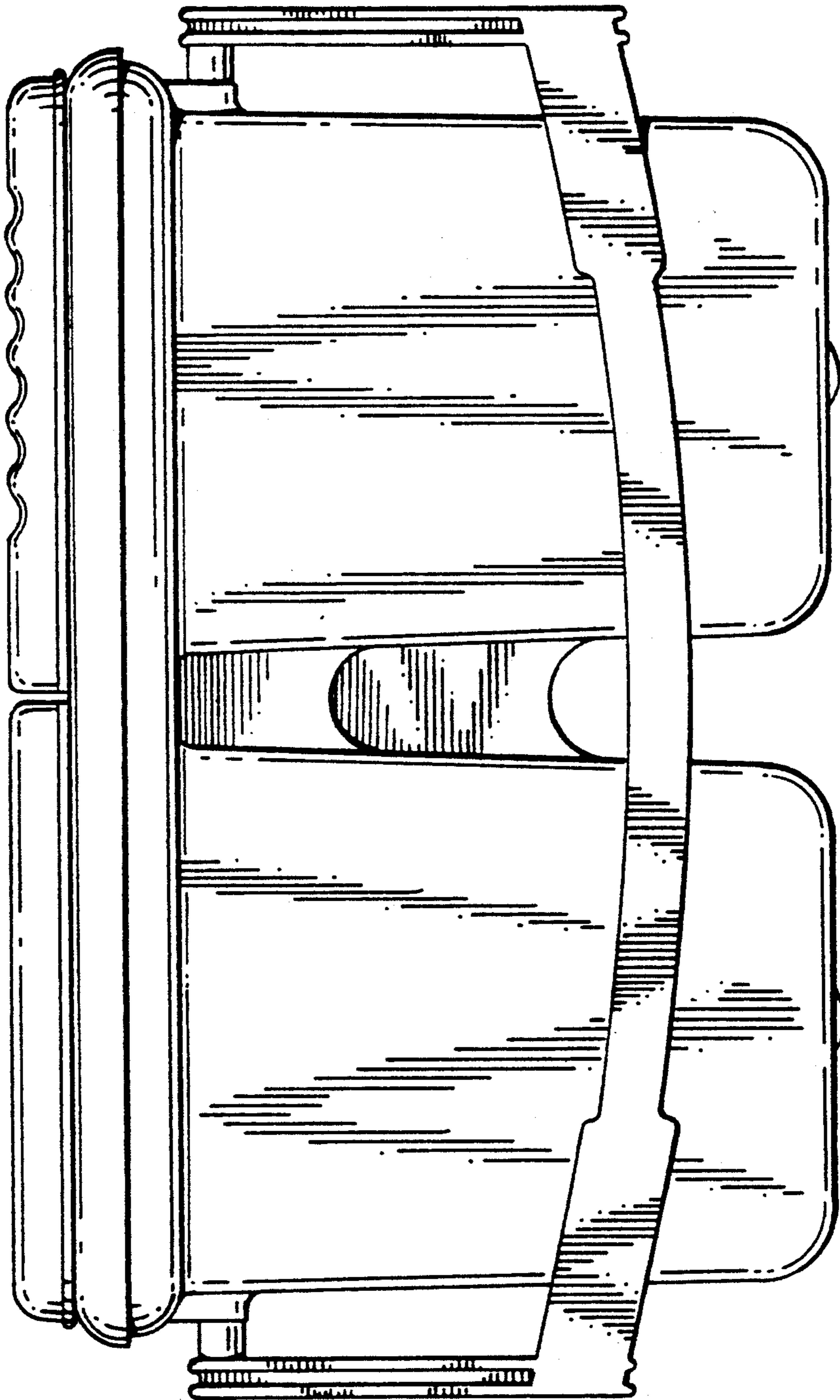


FIG. 6

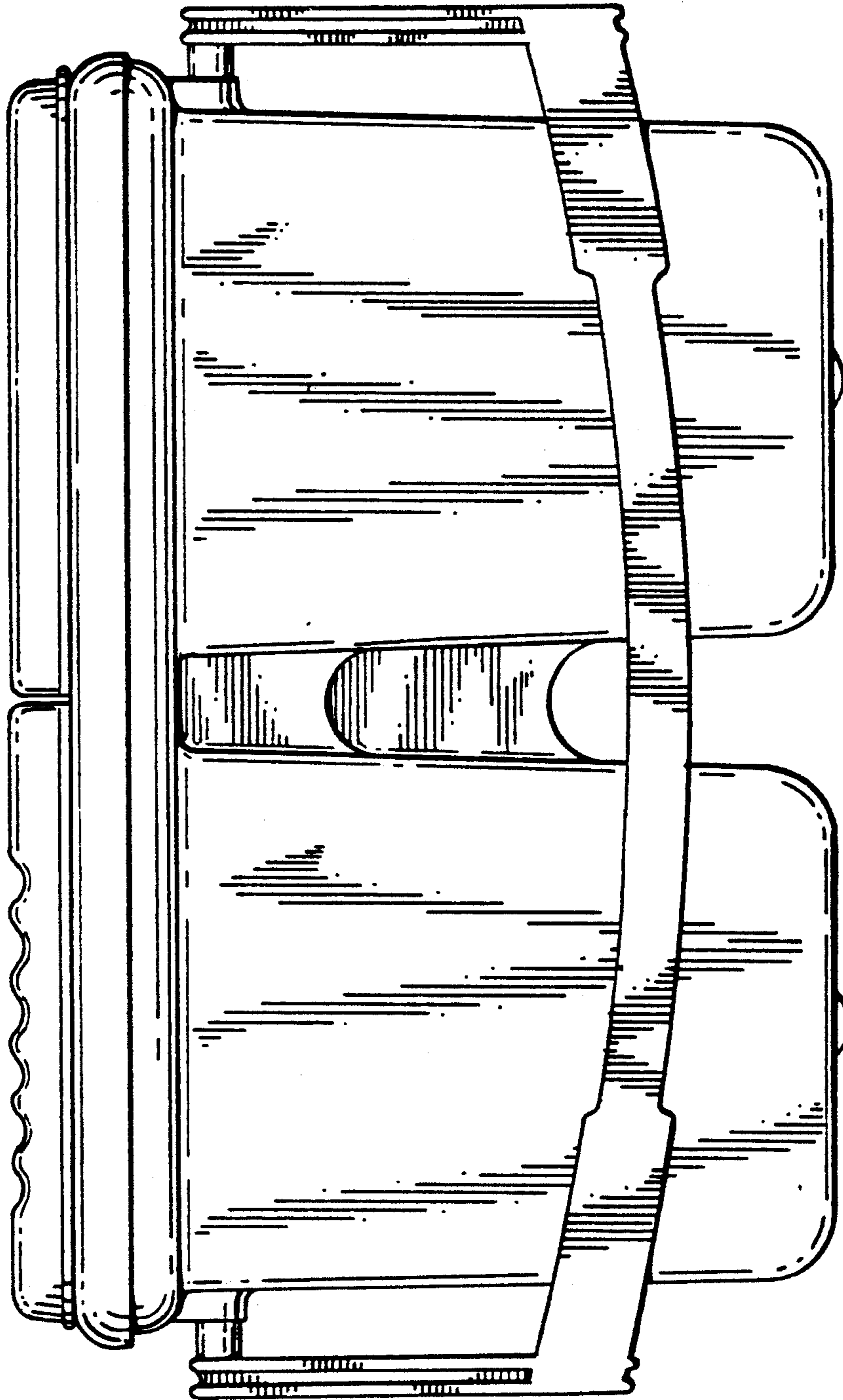


FIG. 7

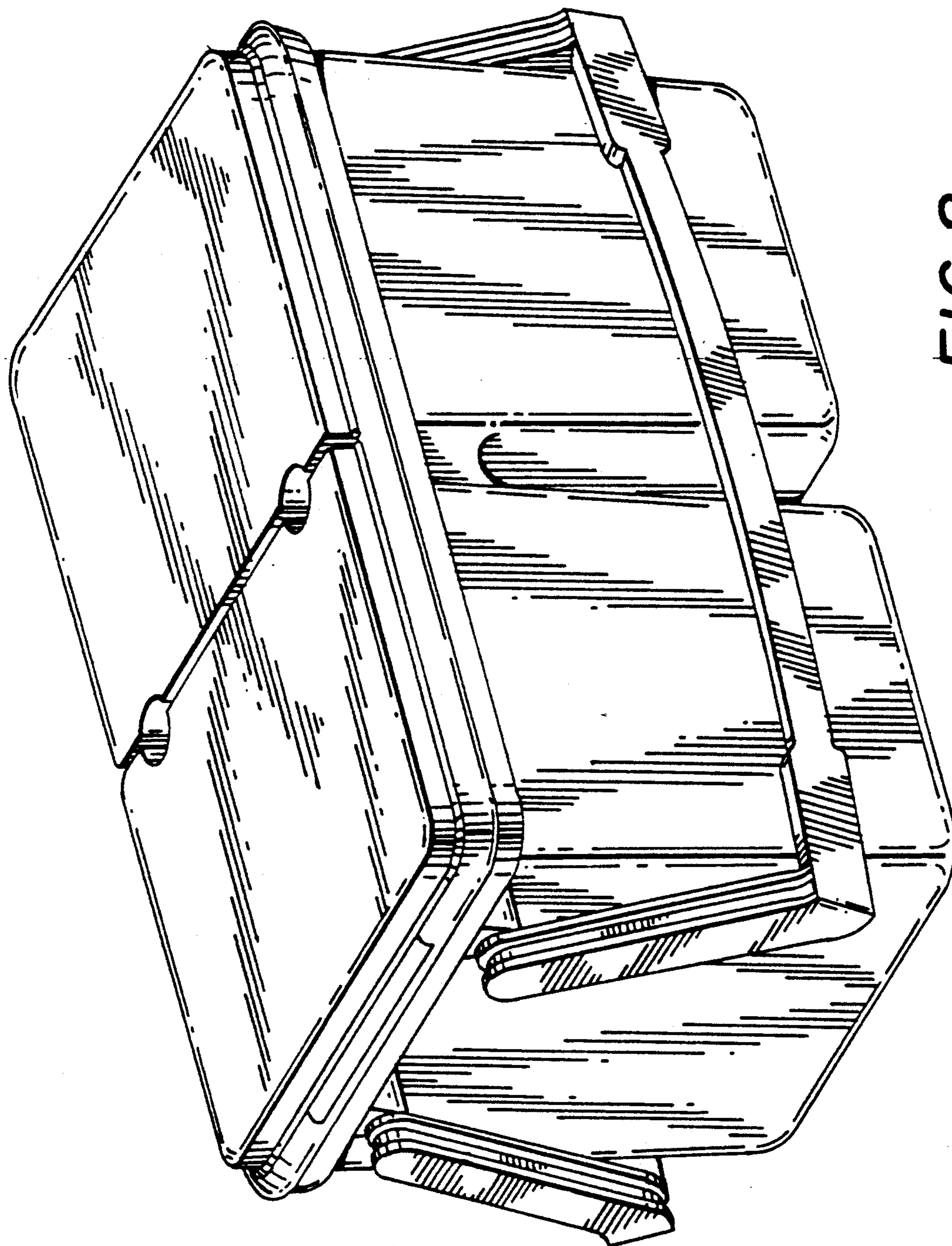


FIG. 8